

**GENERAL NOTES: SERIES 5540
IMPACT RESISTANT, VINYL FIXED-CASEMENT
WINDOW**

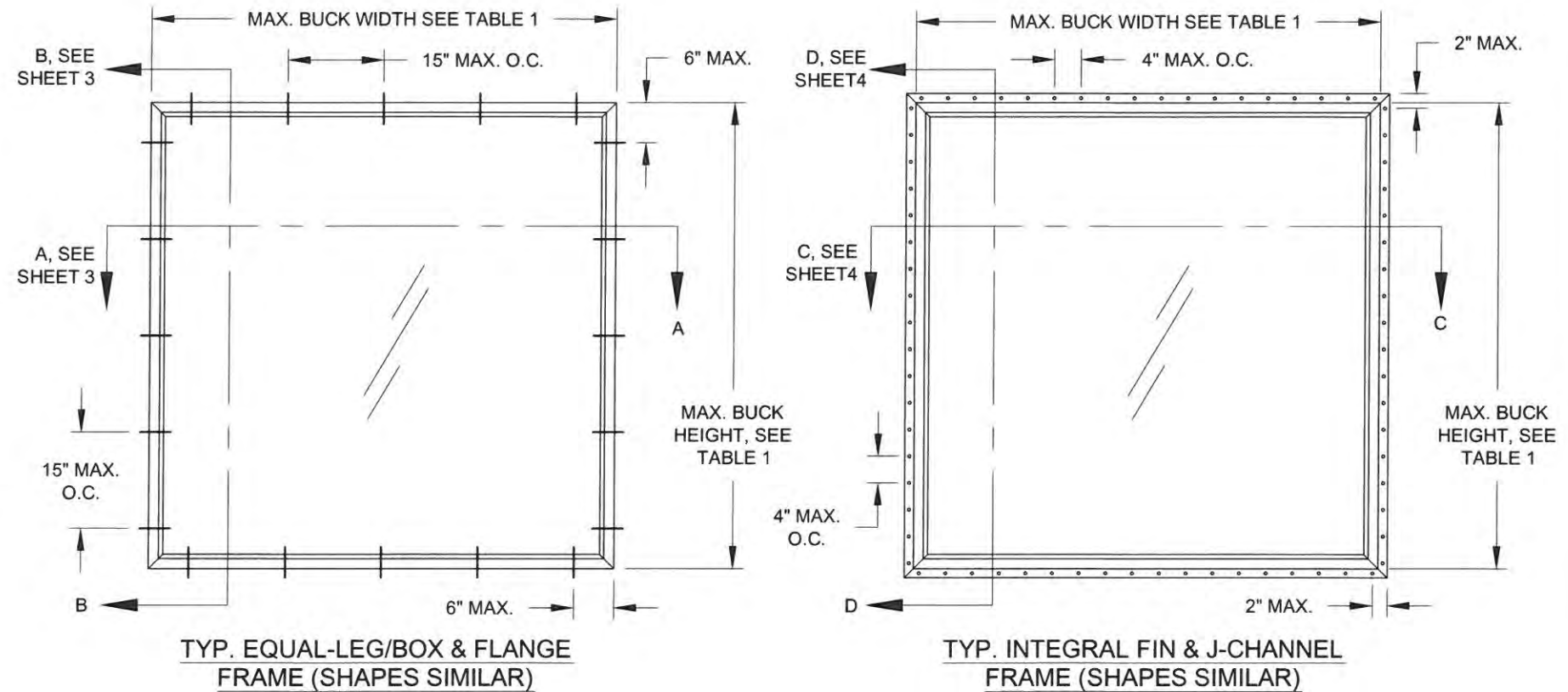
1) THIS PRODUCT HAS BEEN DESIGNED & TESTED TO COMPLY WITH THE REQUIREMENTS OF 2006 INTERNATIONAL BUILDING CODE FOR THE DESIGN PRESSURES LISTED.

2) ALL WOOD BUCKS LESS THAN 1-1/2" THICK ARE TO BE CONSIDERED 1X INSTALLATIONS. 1X WOOD BUCKS ARE OPTIONAL IF UNIT IS INSTALLED DIRECTLY TO SUBSTRATE. WOOD BUCKS DEPICTED AS 2X ARE 1-1/2" THICK OR GREATER. 1X AND 2X BUCKS (WHEN USED) SHALL BE DESIGNED TO PROPERLY TRANSFER LOADS TO THE STRUCTURE. WOOD BUCK DESIGN AND INSTALLATION IS THE RESPONSIBILITY OF THE ENGINEER, (EOR) OR ARCHITECT OF RECORD, (AOR).

3) ANCHOR EMBEDMENT TO BASE MATERIAL SHALL BE BEYOND WALL DRESSING OR STUCCO. USE ANCHORS OF SUFFICIENT EMBEDMENT. INSTALLATION ANCHORS SHOULD BE SEALED. OVERALL SEALING/FLASHING STRATEGY FOR WATER RESISTANCE OF INSTALLATION SHALL BE DONE BY OTHERS AND IS BEYOND THE SCOPE OF THESE INSTRUCTIONS.

4) MAX. 1/4" SHIMS ARE REQUIRED AT EACH ANCHOR LOCATION WHERE THE PRODUCT IS NOT FLUSH TO THE SUBSTRATE. USE SHIMS CAPABLE OF TRANSFERRING APPLIED LOADS. WOOD BUCKS, BY OTHERS, MUST BE SUFFICIENTLY ANCHORED TO RESIST LOADS IMPOSED ON THEM BY THE WINDOW.

5) THE ANCHORAGE METHODS SHOWN HAVE BEEN DESIGNED TO RESIST THE WINDLOADS CORRESPONDING TO THE REQUIRED DESIGN PRESSURE. THE 33-1/3% STRESS INCREASE HAS NOT BEEN USED IN THE DESIGN OF THIS PRODUCT. THE 1.6 LOAD DURATION FACTOR WAS USED FOR THE EVALUATION OF ANCHORS INTO WOOD. ANCHORS SHALL BE COATED OR CORROSION RESISTANT AS SPECIFIED IN THE 2006 TEXAS REVISIONS TO THE 2006 INTERNATIONAL BUILDING CODE.



SHAPES MAY BE USED BY INSCRIBING THE SHAPE IN A BLOCK AND OBTAINING DESIGN PRESSURES FOR THAT BLOCK SIZE FROM THE TABLE ON THIS SHEET.

TABLE 1:

Window Buck Size		Design Pressure		Certification (CAR) Number
Width	Height	(+) psf	(-) psf	
84	54	65.0	65.0	190-281, 1019
84	54	70.0	70.0	190-284, 1019
84	72	70.0	70.0	190-279, 1012
96	63	70.0	70.0	190-283, 1020
75	48	50.0	50.0	190-280, 1013
36	72	50.0	50.0	190-282, 1014



Series	PW-5540	Scale	NTS	Sheet	1 OF 4	DWG No.	TDI-PW5540.1	Rev. No.	
Title	VINYL FIXED WINDOW TDI (IMP.-RESIST.)		Date	3/18/15					
Desc.	GENERAL NOTES & ELEVATIONS		Drawn By	J ROSOWSKI					
Rev 1	Date								
Rev 2	Date								

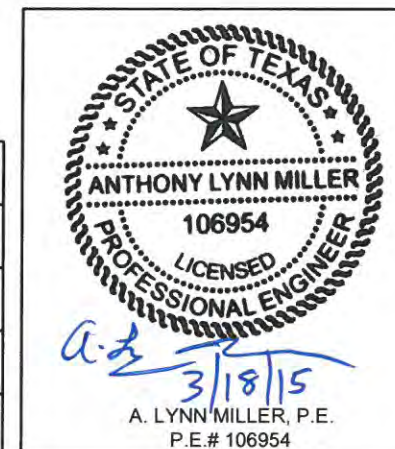


TABLE 2: ANCHORS INSTALLED THROUGH FRAME

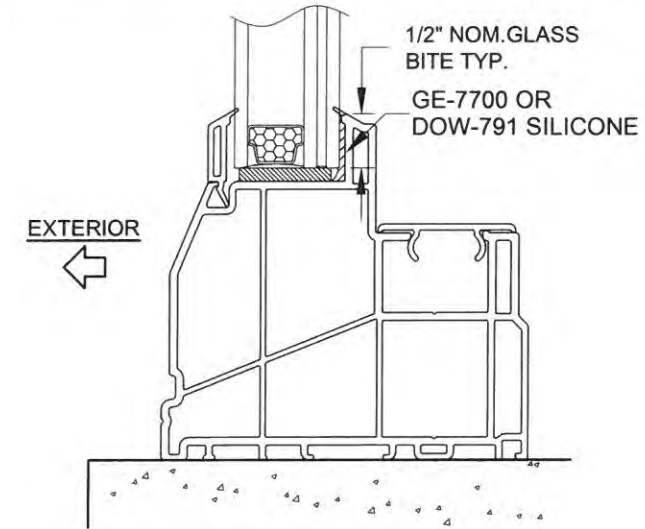
Anchor	Substrate	Min. Edge Distance	Min. Embedment
#10 SMS (steel, 18-8 S.S. or 410 S.S.) Max. DP of 50.0	P.T. Southern Pine (SG=0.55)	7/16"	1-3/8"
	Steel, A36	3/8"	0.050"
	Steel Stud, A653 Gr. 33	3/8"	0.0346" (20 Ga.)
	Aluminum, 6063-T5	3/8"	0.050"
#12 SMS (steel, 18-8 S.S. or 410 S.S.)	P.T. Southern Pine (SG=0.55)	9/16"	1-3/8"
	Steel, A36	3/8"	0.050"
	Steel Stud, A653 Gr. 33	3/8"	0.0346" (20 Ga.)
	Aluminum, 6063-T5	3/8"	0.063"
3/16" Ultracon (steel) Max. DP of 50.0	P.T. Southern Pine (SG=0.55)	7/16"	1-3/8"
	Concrete (min. 2.85 ksi)	1"	1-3/8"
	UngROUTED CMU, (ASTM C-90)	2-1/2"	1-1/4"
1/4" Ultracon (steel)	P.T. Southern Pine (SG=0.55)	1"	1-3/8"
	Concrete (min. 2.85 ksi)	1"	1-3/4"
	UngROUTED CMU, (ASTM C-90)	2-1/2"	1-1/4"
1/4" Crete-Flex (410 S.S.)	P.T. Southern Pine (SG=0.55)	1"	1-3/8"
	Concrete (min. 3.35 ksi)	1"	1-3/4"
	UngROUTED CMU, (ASTM C-90)	2-1/2"	1-1/4"
1/4" Aggre-Gator (18-8 S.S.)	Concrete (min. 3.275 ksi)	1-1/2"	1-3/8"
	P.T. Southern Pine (SG=0.55)	1"	1-3/8"
	UngROUTED CMU, (ASTM C-90)	2"	1-1/4"

TABLE 3: ANCHORS INSTALLED THROUGH INTEGRAL FIN

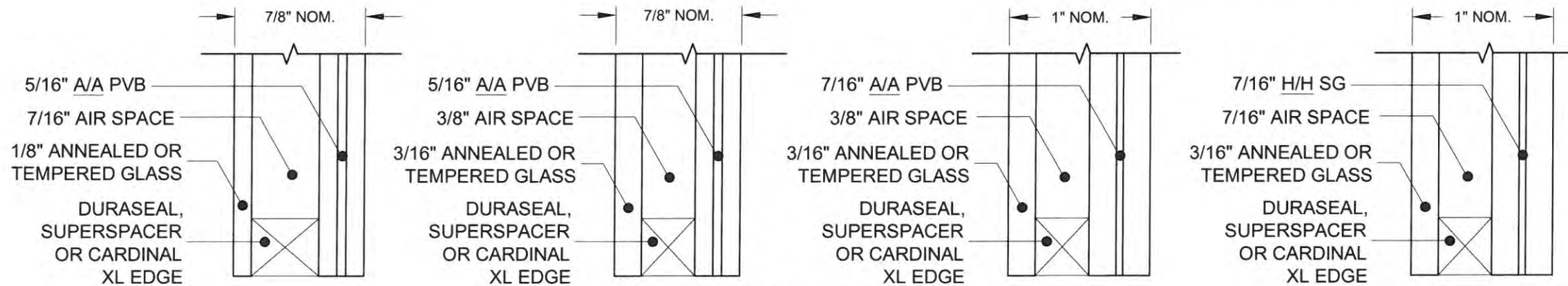
Anchor	Substrate	Min. Edge Distance	Min. Embedment
2-1/2" x .131" Common Nail Max. DP of 50.0	P.T. Southern Pine (SG=.55)	9/16"	2-7/16"
	P.T. Southern Pine (SG=.55)	9/16"	2-7/16"
	P.T. Southern Pine (SG=.55)	9/16"	2-7/16"
#10 SMS (steel, 18-8 S.S. or 410 S.S.)	P.T. Southern Pine (SG=.55)	3/4"	1-3/8"
	Aluminum, 6063-T5	3/8"	0.050"
	Steel Stud, Gr. 33	3/8"	0.0346" (20 Ga.)
	Steel, A36	3/8"	0.050"

ANCHOR NOTES:

- "UNGROUTED CMU" VALUES MAY BE USED FOR GROUTED CMU APPLICATIONS.
- PANHEAD, FLATHEAD OR HEXHEAD ARE ACCEPTABLE.
- ANCHOR LENGTH TO BE SO THAT A MIN. OF 3 THREADS EXTEND BEYOND THE METAL SUBSTRATE.



TYP. GLAZING DETAIL



GLAZING TYPES

PVB AND SG INTERLAYERS MANUFACTURED BY DUPONT INC. (AKA KURARAY AMERICA, INC.)

VISIBLE LIGHT FORMULAS

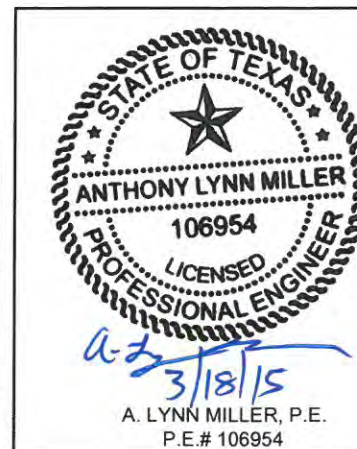
WIDTH: BUCK WIDTH - 6-3/4"
HEIGHT: BUCK HEIGHT - 6-3/4"

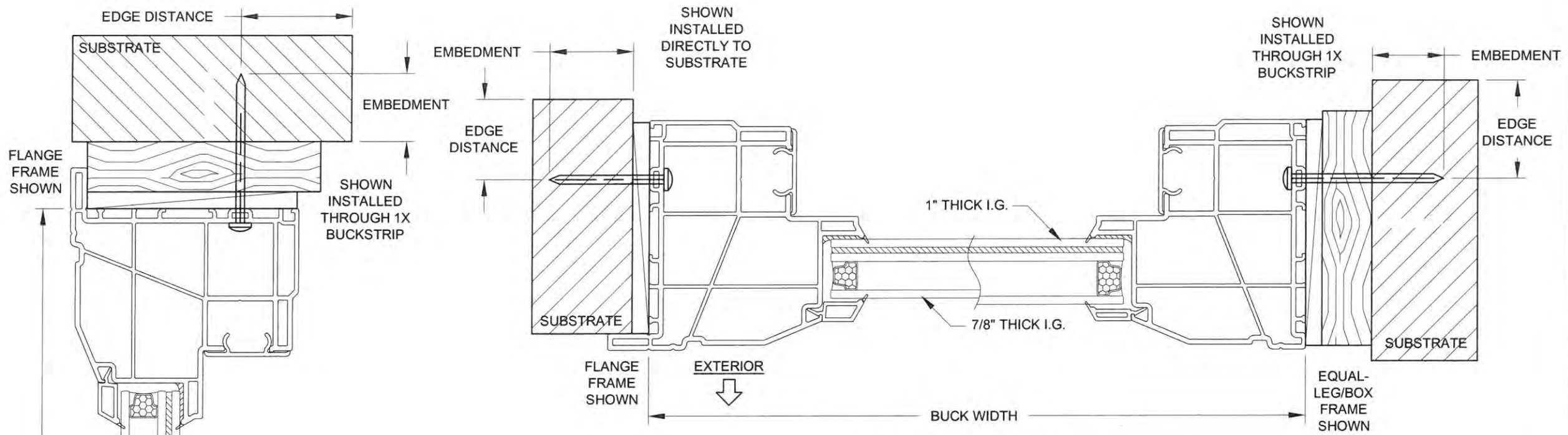
VISIBLE LIGHT WIDTH OR HEIGHT (ALSO REFERRED TO AS DAYLIGHT OPENING) IS MEASURED FROM BEADING TO BEADING.



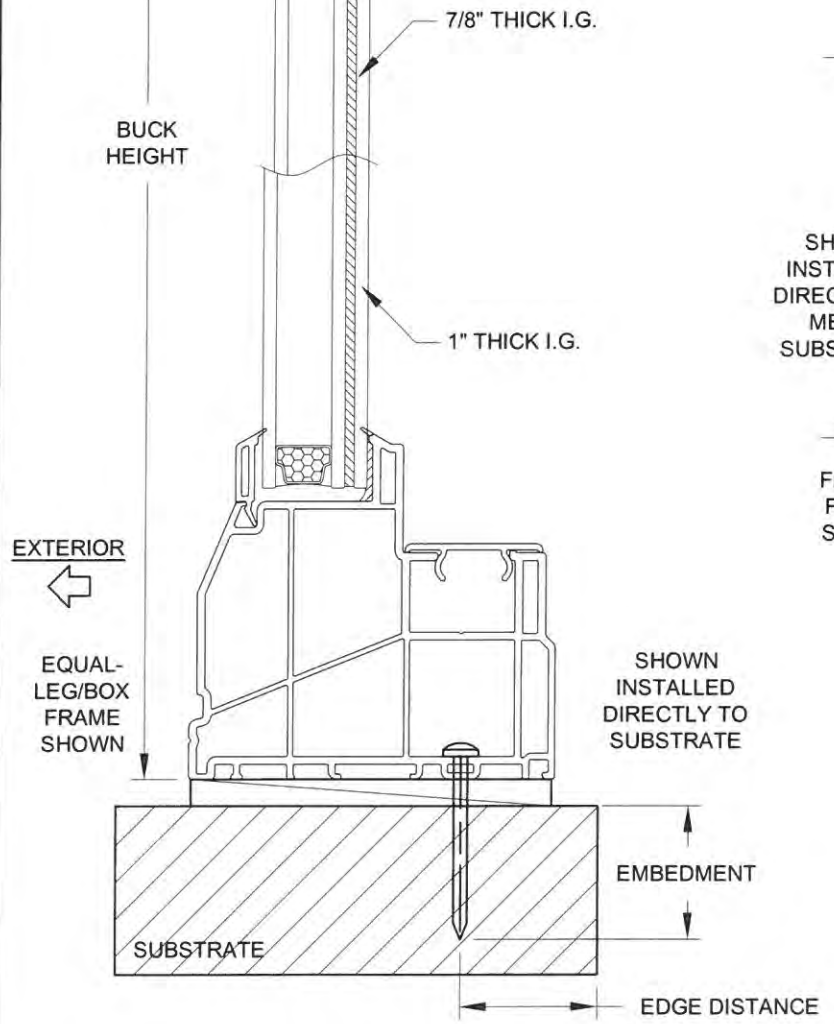
1070 TECHNOLOGY DRIVE
N. VENICE, FL 34275
(941)-480-1600

Series	PW-5540	Scale	NTS	Sheet	2 OF 4	DWG No.	TDI-PW5540.1	Rev. No.	
Title	VINYL FIXED WINDOW TDI (IMP.-RESIST.)		Date	3/18/15					
Desc.	GLASS/ANCHOR OPTIONS		Drawn By	J ROSOWSKI					
Rev 1									
Rev 2									

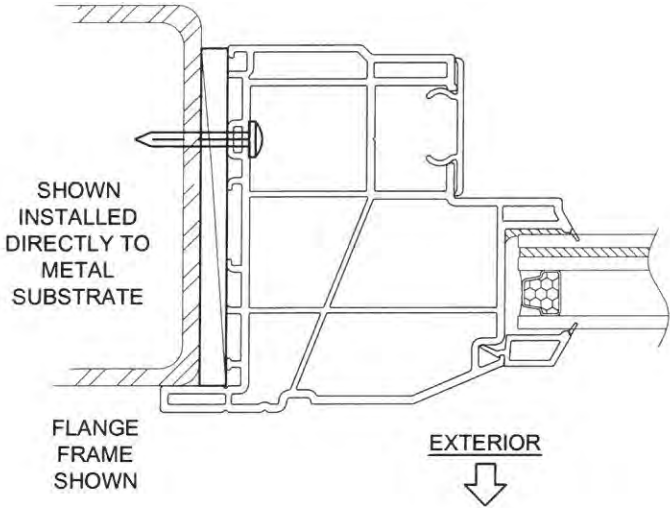




HORIZONTAL SECTION A-A

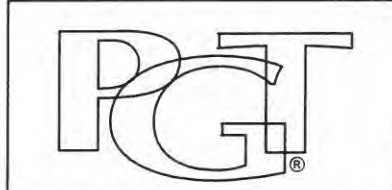


VERTICAL SECTION B-B



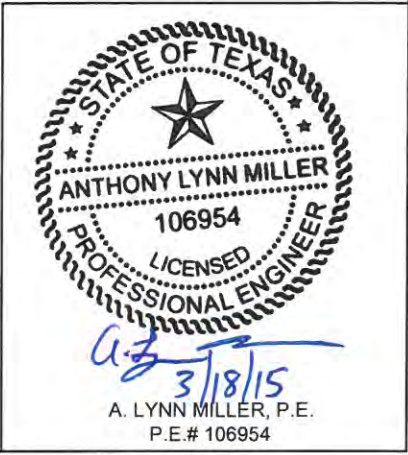
INSTALLATION NOTES:

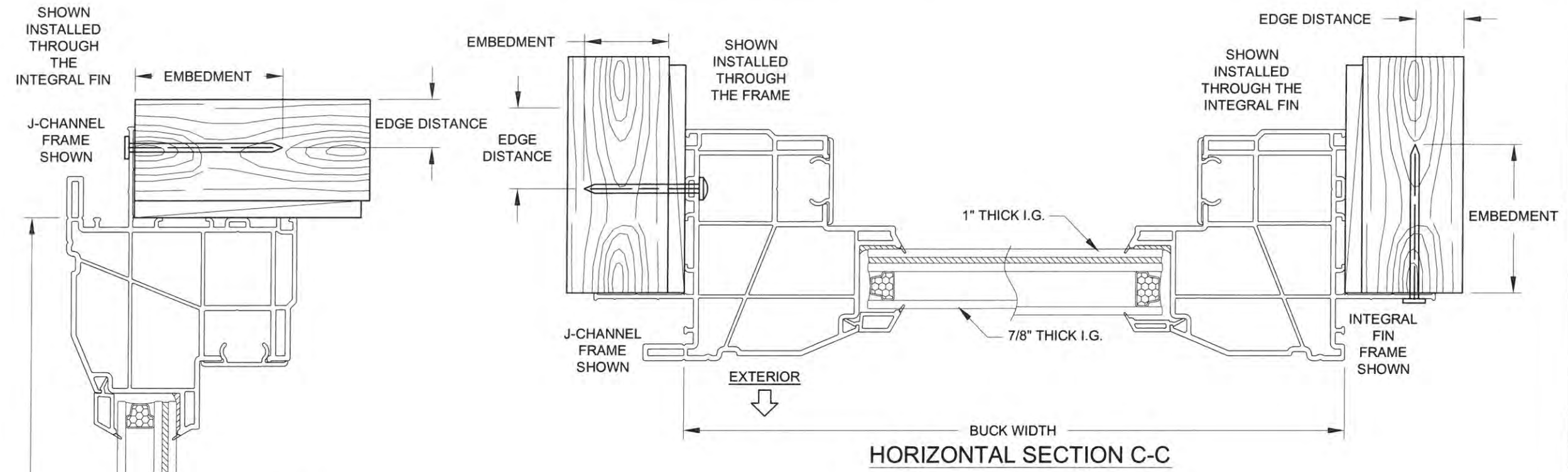
- 1) SEE SHEET 1 FOR SPACING REQUIREMENTS.
- 2) SEE TABLE(S) ON SHEET 2 FOR ANCHORAGE AND SUBSTRATE REQUIREMENTS.
- 3) MAX. SHIM THICKNESS TO BE 1/4".
- 4) GLASS SHOWN IS FOR ILLUSTRATIVE PURPOSES ONLY AND MAY DIFFER TO MEET DESIGN REQUIREMENTS.
- 5) FIN AND/OR FLANGE MAY BE REMOVED TO CREATE OTHER FRAME TYPES.



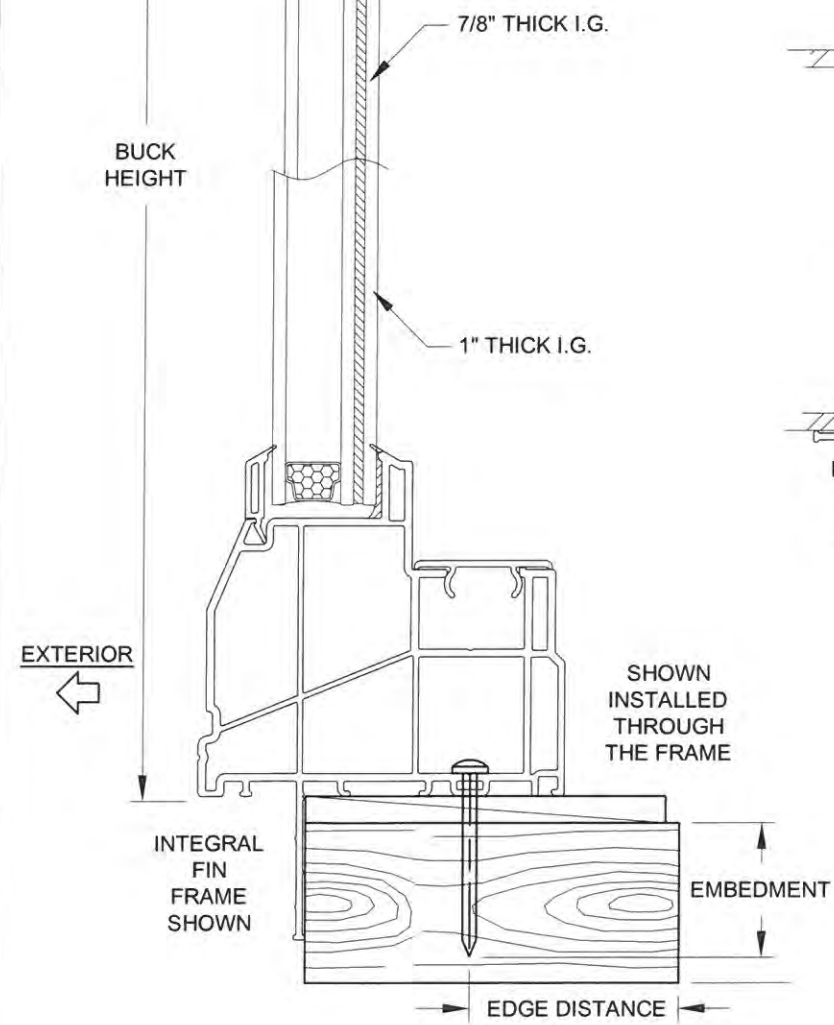
1070 TECHNOLOGY DRIVE
N. VENICE, FL 34275
(941)-480-1600

Series	Rev 2	Rev 1	Title	Date
PW-5540	NTS	3 OF 4	VINYL FIXED WINDOW TDI (IMP.-RESIST.)	3/18/15
Scale	Sheet	DWG No.	Rev 1	Rev 2
NTS	3 OF 4	TDI-PW5540.1	Date	Date
Drawn By	J ROSOWSKI	Rev 1	Date	Date

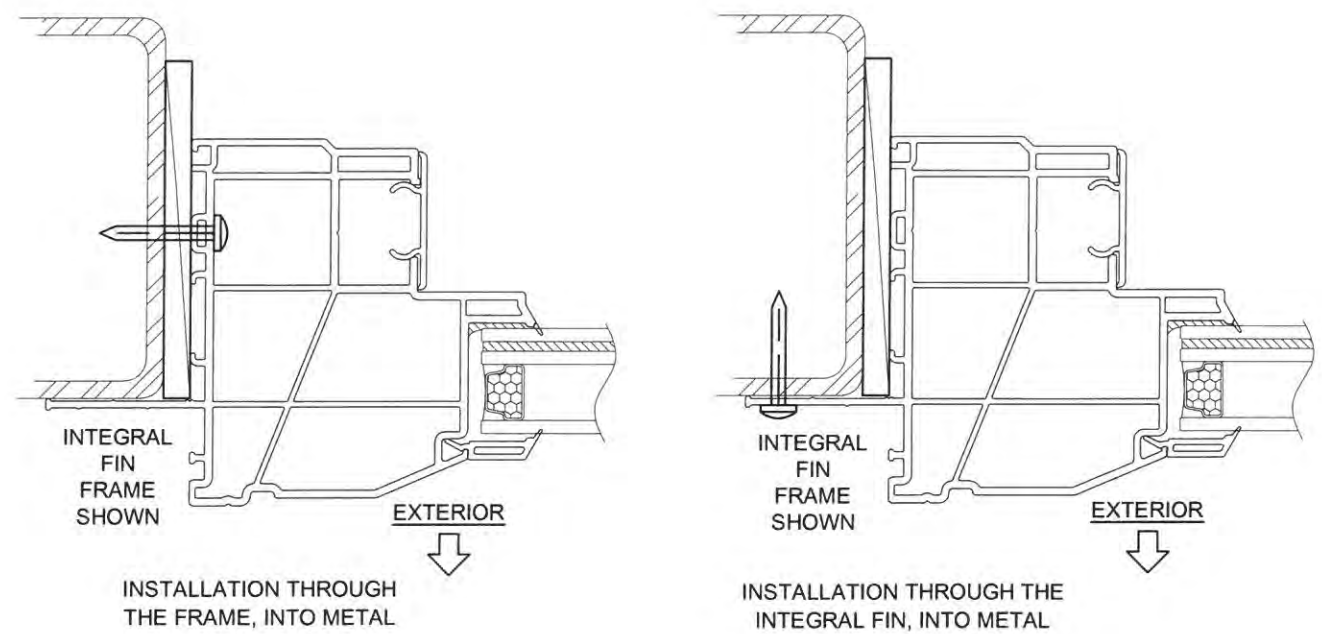




HORIZONTAL SECTION C-C



VERTICAL SECTION D-D



INSTALLATION NOTES:

- 1) SEE SHEET 1 FOR SPACING REQUIREMENTS.
- 2) SEE TABLE(S) ON SHEET 2 FOR ANCHORAGE AND SUBSTRATE REQUIREMENTS.
- 3) MAX. SHIM THICKNESS TO BE 1/4".
- 4) GLASS SHOWN IS FOR ILLUSTRATIVE PURPOSES ONLY AND MAY DIFFER TO MEET DESIGN REQUIREMENTS.
- 5) FIN AND/OR FLANGE MAY BE REMOVED TO CREATE OTHER FRAME TYPES.



1070 TECHNOLOGY DRIVE
N. VENICE, FL 34275
(941)-480-1600

Series	Rev 1	Rev 2	Title	Date
			VINYL FIXED WINDOW TDI (IMP.-RESIST.)	3/18/15
			J-CHANNEL & INTEGRAL FIN FRAMES	Drawn By J ROSOWSKI
PW-5540	Scale	NTS	Sheet	4 OF 4
			DWG No.	TDI-PW5540.1
			Rev. No.	

