

REVISIONS			
REV	DESCRIPTION	DATE	APPROVED

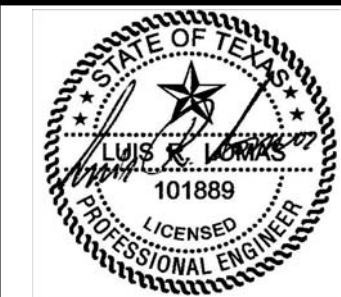
NOTES:

1. THE PRODUCT SHOWN HEREIN IS DESIGNED AND MANUFACTURED TO COMPLY WITH REQUIREMENTS OF THE 2006 IBC AND THE 2006 IRC WITH STATE OF TEXAS MODIFICATIONS AND WITH THE 2009 IBC, 2009 IRC, 2012 IBC, 2012 IRC, 2015 IBC AND 2015 IRC.
2. WOOD FRAMING AND MASONRY OPENING TO BE DESIGNED AND ANCHORED TO PROPERLY TRANSFER ALL LOADS TO STRUCTURE. FRAMING AND MASONRY OPENING IS THE RESPONSIBILITY OF THE ARCHITECT OR ENGINEER OF RECORD.
3. 1X BUCK OVER MASONRY/CONCRETE IS OPTIONAL.
4. WHERE SHIM OR BUCK THICKNESS IS LESS THAN 1-1/2" WINDOW UNITS MUST BE ANCHORED THROUGH THE FRAME IN ACCORDANCE WITH MANUFACTURER'S PUBLISHED INSTALLATION INSTRUCTIONS. ANCHORS SHALL BE SECURELY FASTENED DIRECTLY INTO MASONRY, CONCRETE OR OTHER STRUCTURAL SUBSTRATE MATERIAL.
5. WHERE WOOD BUCK THICKNESS IS 1-1/2" OR GREATER, BUCK SHALL BE SECURELY FASTENED TO MASONRY, CONCRETE OR OTHER STRUCTURAL SUBSTRATE. WINDOW UNITS MAY BE ANCHORED THROUGH FRAME TO SECURED WOOD BUCK IN ACCORDANCE WITH MANUFACTURER'S PUBLISHED INSTALLATION INSTRUCTIONS.
6. WHERE 1X BUCK IS NOT USED DISSIMILAR MATERIALS MUST BE SEPARATED WITH APPROVED COATING OR MEMBRANE. SELECTION OF COATING OR MEMBRANE IS THE RESPONSIBILITY OF THE ARCHITECT OR ENGINEER OF RECORD.
7. BUCKS SHALL EXTEND BEYOND WINDOW INTERIOR FACE SO THAT FULL FRAME SUPPORT IS PROVIDED.
8. SHIM AS REQUIRED AT EACH ANCHOR LOCATION WITH LOAD BEARING SHIM. SHIM WHERE SPACE OF 1/16" OR GREATER OCCURS. MAXIMUM ALLOWABLE SHIM STACK TO BE 1/4".
9. SHIMS SHALL BE LOCATED, APPLIED AND MADE FROM MATERIALS AND THICKNESS CAPABLE OF SUSTAINING APPLICABLE LOADS.
10. WIND LOAD DURATION FACTOR Cd=1.6 WAS USED FOR WOOD ANCHOR CALCULATIONS.
11. FRAME MATERIAL: ALUMINUM 6063-T5.
12. UNITS MUST BE GLAZED PER ASTM E1300-04/09.
13. APPROVED IMPACT PROTECTIVE SYSTEM IS REQUIRED FOR THIS PRODUCT IN WIND BORNE DEBRIS REGIONS.
14. FOR ANCHORING THROUGH FIN INTO WOOD FRAMING OR 2X BUCK USE #8 WOOD SCREWS WITH SUFFICIENT LENGTH TO ACHIEVE A 1 1/4" MINIMUM EMBEDMENT INTO SUBSTRATE. LOCATE ANCHORS AS SHOWN IN ELEVATIONS AND INSTALLATION DETAILS.
15. FOR ANCHORING THROUGH FIN INTO METAL STRUCTURE USE #8 SELF DRILLING SCREWS WITH SUFFICIENT LENGTH TO ACHIEVE 3 THREADS MINIMUM BEYOND STRUCTURE INTERIOR WALL. LOCATE ANCHORS AS SHOWN IN ELEVATIONS AND INSTALLATION DETAILS.
16. FOR ANCHORING THROUGH FRAME INTO WOOD FRAMING OR 2X BUCK USE #8 WOOD SCREWS WITH SUFFICIENT LENGTH TO ACHIEVE A 1 1/4" MINIMUM EMBEDMENT INTO SUBSTRATE. LOCATE ANCHORS AS SHOWN IN ELEVATIONS AND INSTALLATION DETAILS.
17. FOR ANCHORING THROUGH FRAME INTO MASONRY/CONCRETE USE 3/16" TAPCONS WITH SUFFICIENT LENGTH TO ACHIEVE A 1 1/4" MINIMUM EMBEDMENT INTO SUBSTRATE WITH 2" MINIMUM EDGE DISTANCE. LOCATE ANCHORS AS SHOWN IN ELEVATIONS AND INSTALLATION DETAILS.
18. FOR ANCHORING THROUGH FRAME INTO METAL STRUCTURE USE #8 SMS OR SELF DRILLING SCREWS WITH SUFFICIENT LENGTH TO ACHIEVE 3 THREADS MINIMUM BEYOND STRUCTURE INTERIOR WALL. LOCATE ANCHORS AS SHOWN IN ELEVATIONS AND INSTALLATION DETAILS.
19. ALL FASTENERS TO BE CORROSION RESISTANT.
20. INSTALLATION ANCHORS SHALL BE INSTALLED IN ACCORDANCE WITH ANCHOR MANUFACTURER'S INSTALLATION INSTRUCTIONS AND ANCHORS SHALL NOT BE USED IN SUBSTRATES WITH STRENGTHS LESS THAN THE MINIMUM STRENGTH SPECIFIED BELOW:
 - A. WOOD - MINIMUM SPECIFIC GRAVITY OF G=0.42
 - B. CONCRETE - MINIMUM COMPRESSIVE STRENGTH OF 3,192 PSI.
 - C. MASONRY - STRENGTH CONFORMANCE TO ASTM C-90, GRADE N, TYPE 1 (OR GREATER).
 - D. METAL STRUCTURE: STEEL 18GA, 33KSI OR ALUMINUM 6063-T5 .048" THICK MINIMUM
21. GEOMETRIC SHAPES ARE ALSO APPROVED. APPROVED GEOMETRIC SHAPES DIMENSIONS SHALL NOT EXCEED INSCRIBED DIMENSIONS OF APPROVED RECTANGULAR ASSEMBLY SHOWN IN SHEET 2 AND 3.
22. UNITS MAY USE MONOLITHIC GLASS AS WELL AS INSULATED GLASS.

SIGNED: 03/12/2019

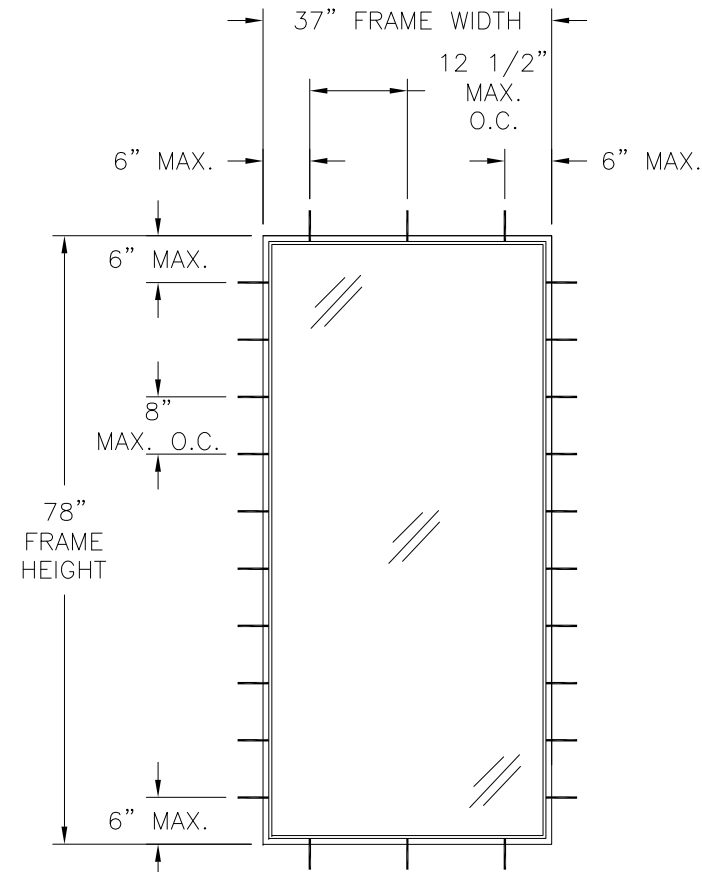
TABLE OF CONTENTS	
SHEET NO.	DESCRIPTION
1	NOTES
2	ELEVATIONS
3 - 12	INSTALLATION DETAILS
13	COMPONENTS

MI WINDOWS AND DOORS, LLC 650 W. MARKET ST. GRATZ, PA 17030		
185 PICTURE WINDOW NON-IMPACT 37" X 78" NOTES		
DRAWN: A.R.	DWG NO. 08-03394	REV -
SCALE NTS	DATE 03/12/19	SHEET 1 OF 13
L. ROBERTO LOMAS P.E. 1432 WOODFORD RD LEWISVILLE, NC 27023 434-688-0609 rllomas@rlomaspe.com		

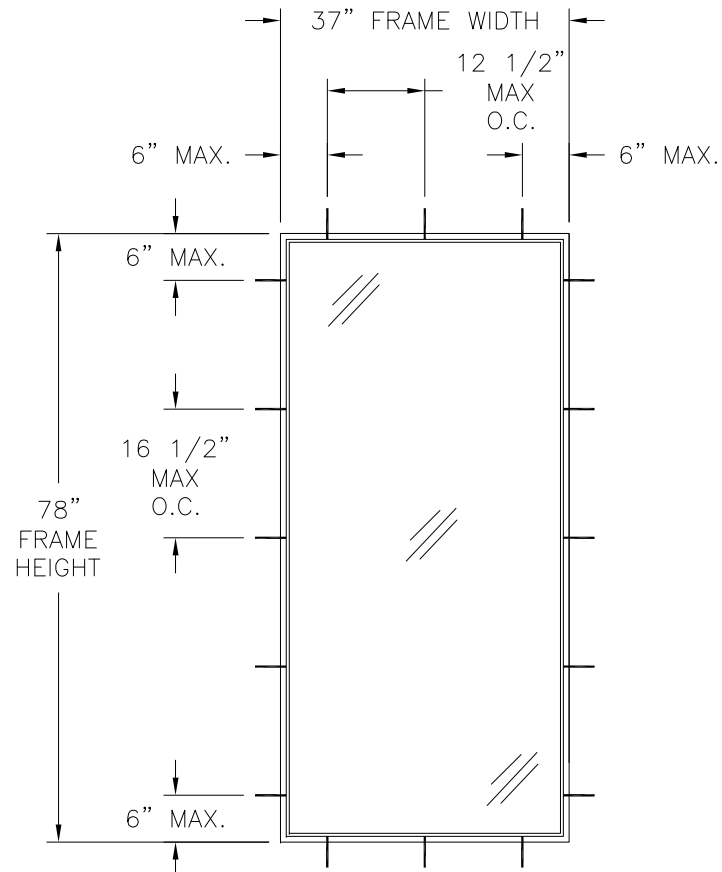


Luis R. Lomas P.E.
TX No.: 101889

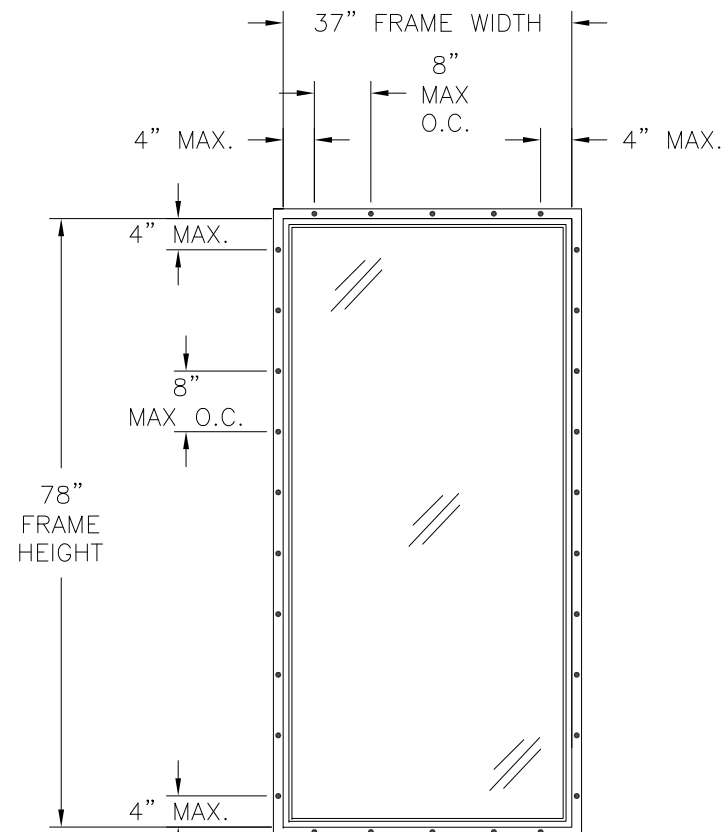
REVISIONS			
REV	DESCRIPTION	DATE	APPROVED



185 FIXED WINDOW
EXTERIOR VIEW
FLANGE & FINLESS INSTALLATION
WITHOUT FILLERS



185 FIXED WINDOW
EXTERIOR VIEW
FLANGE & FINLESS INSTALLATION
WITH FILLERS



185 FIXED WINDOW
EXTERIOR VIEW
FIN INSTALLATION

NOTES:
1. D.L.O. SIZE: 34 1/4" X 75 1/4"

DESIGN PRESSURE RATING	IMPACT RATING
+50.0/-63.0PSF	NONE

37" X 78" UNIT SHOWN. OTHER SIZES APPROVED AS LONG AS
FRAME AREA DOES NOT EXCEED 20.04 FT²

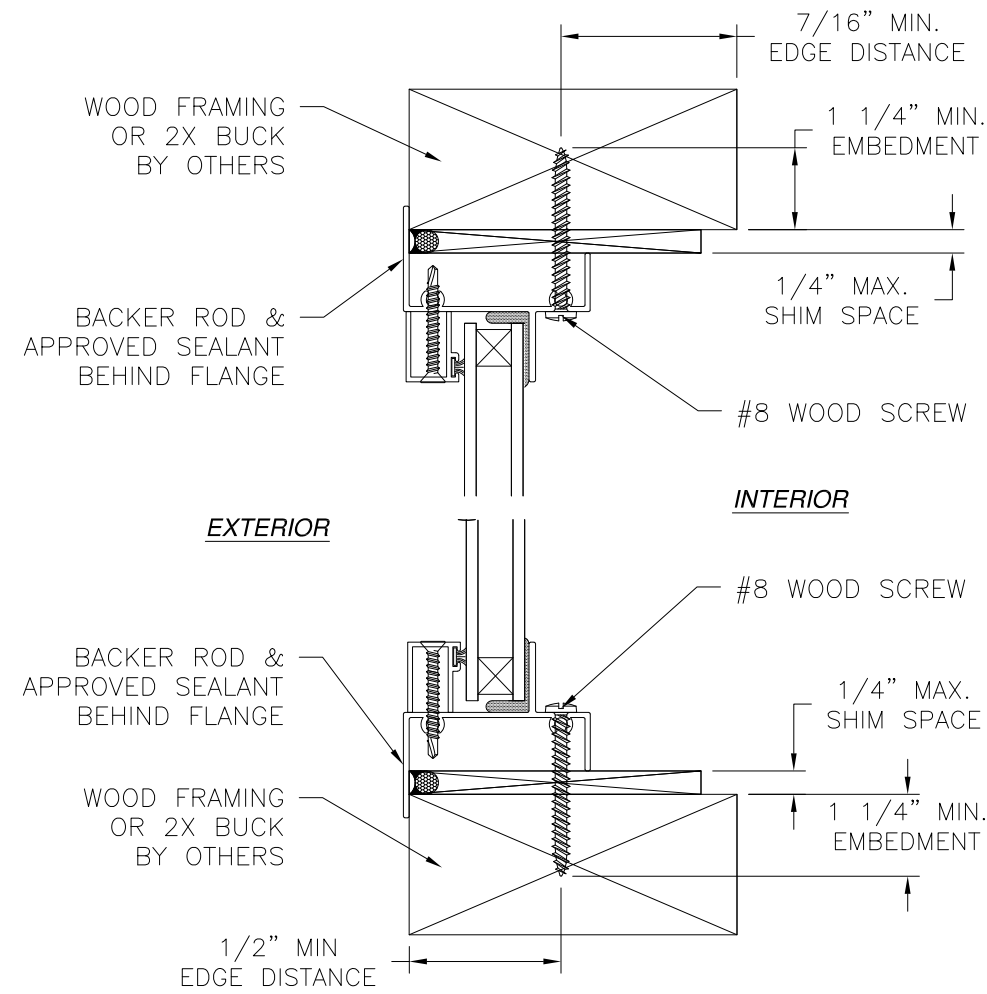
SIGNED: 03/12/2019

MI WINDOWS AND DOORS, LLC 650 W. MARKET ST. GRATZ, PA 17030		
185 PICTURE WINDOW NON-IMPACT 37" X 78" ELEVATIONS		
DRAWN: A.R.	DWG NO. 08-03394	REV -
SCALE NTS	DATE 03/12/19	SHEET 2 OF 13
L. ROBERTO LOMAS P.E. 1432 WOODFORD RD LEWISVILLE, NC 27023 434-688-0609 rllomas@lrlomaspe.com		

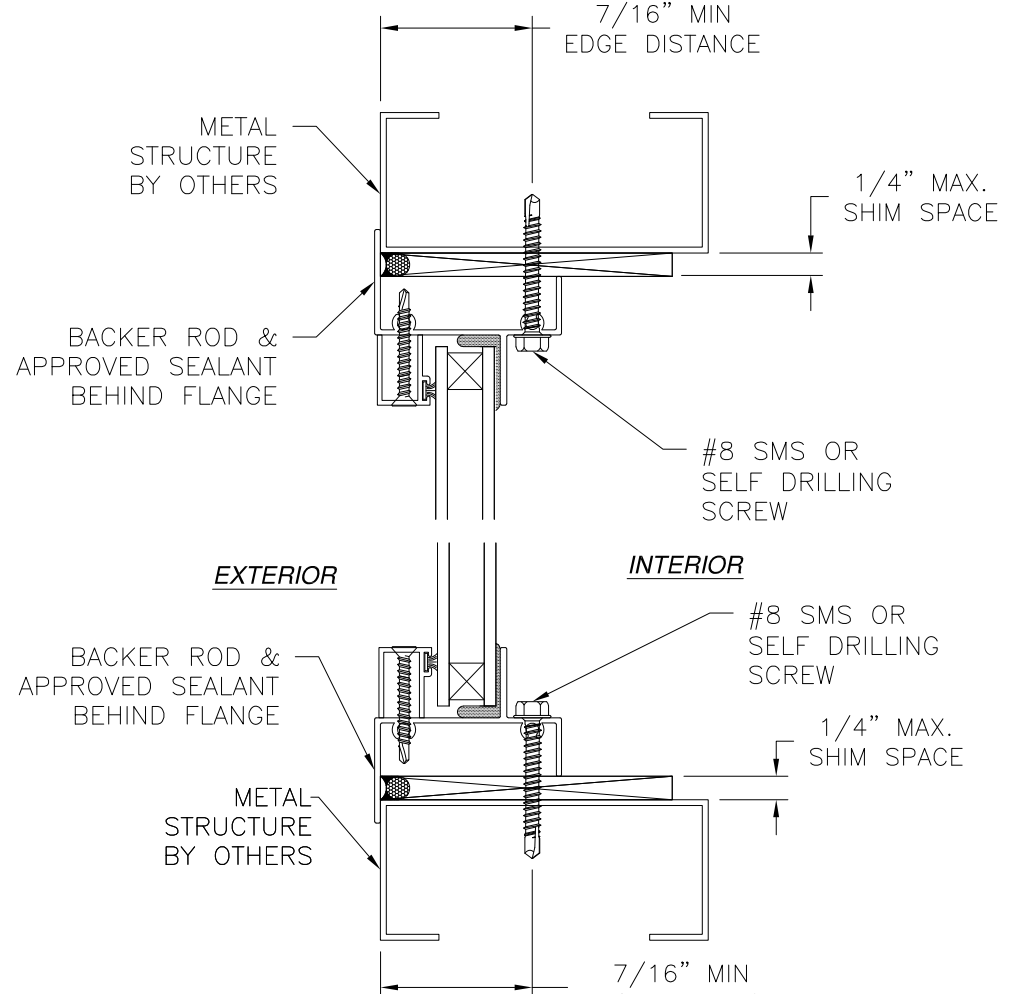


Luis R. Lomas P.E.
TX No.: 101889

REVISIONS			
REV	DESCRIPTION	DATE	APPROVED

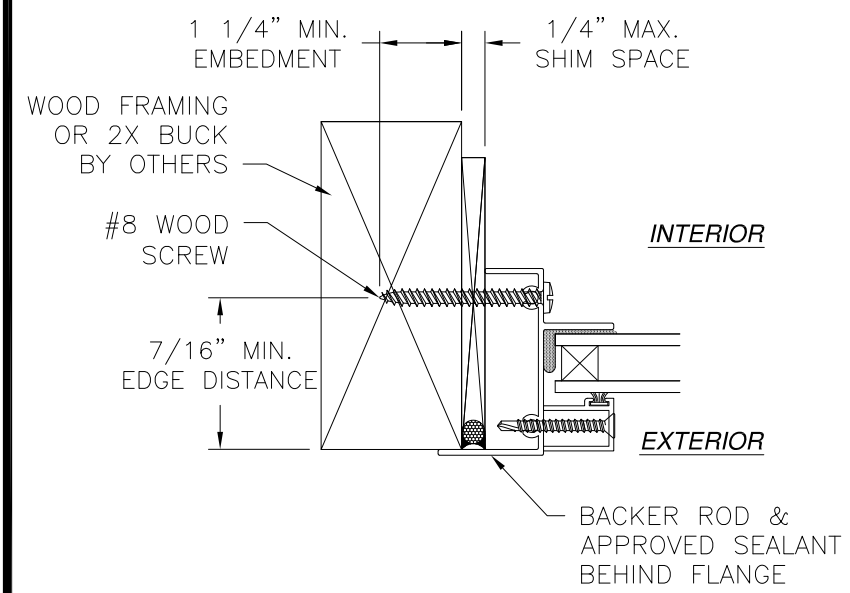


VERTICAL CROSS SECTION
WOOD FRAMING OR 2X BUCK INSTALLATION

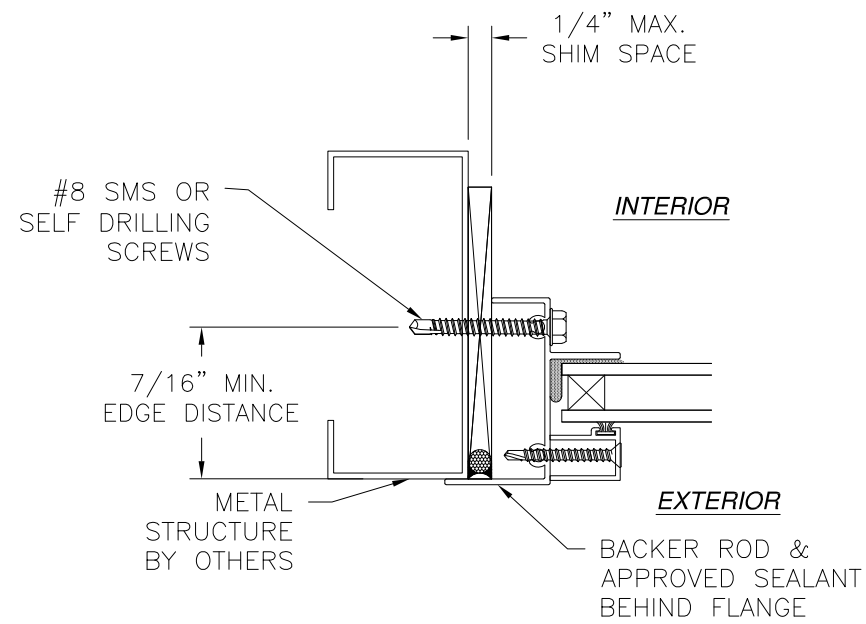


VERTICAL CROSS SECTION
METAL STRUCTURE INSTALLATION

NOTES:
 1. INTERIOR AND EXTERIOR FINISHES, BY OTHERS, NOT SHOWN FOR CLARITY.
 2. PERIMETER AND JOINT SEALANT BY OTHERS TO BE DESIGNED IN ACCORDANCE WITH ASTM E2112



JAMB INSTALLATION DETAIL
WOOD FRAMING OR 2X BUCK INSTALLATION



JAMB INSTALLATION DETAIL
METAL STRUCTURE INSTALLATION

MI WINDOWS AND DOORS, LLC
 650 W. MARKET ST.
 GRATZ, PA 17030

185 PICTURE WINDOW
 NON-IMPACT 37" X 78"
 FLANGE INSTALLATION DETAILS

DRAWN: A.R.	DWG NO. 08-03394	REV -
SCALE NTS	DATE 03/12/19	SHEET 3 OF 13

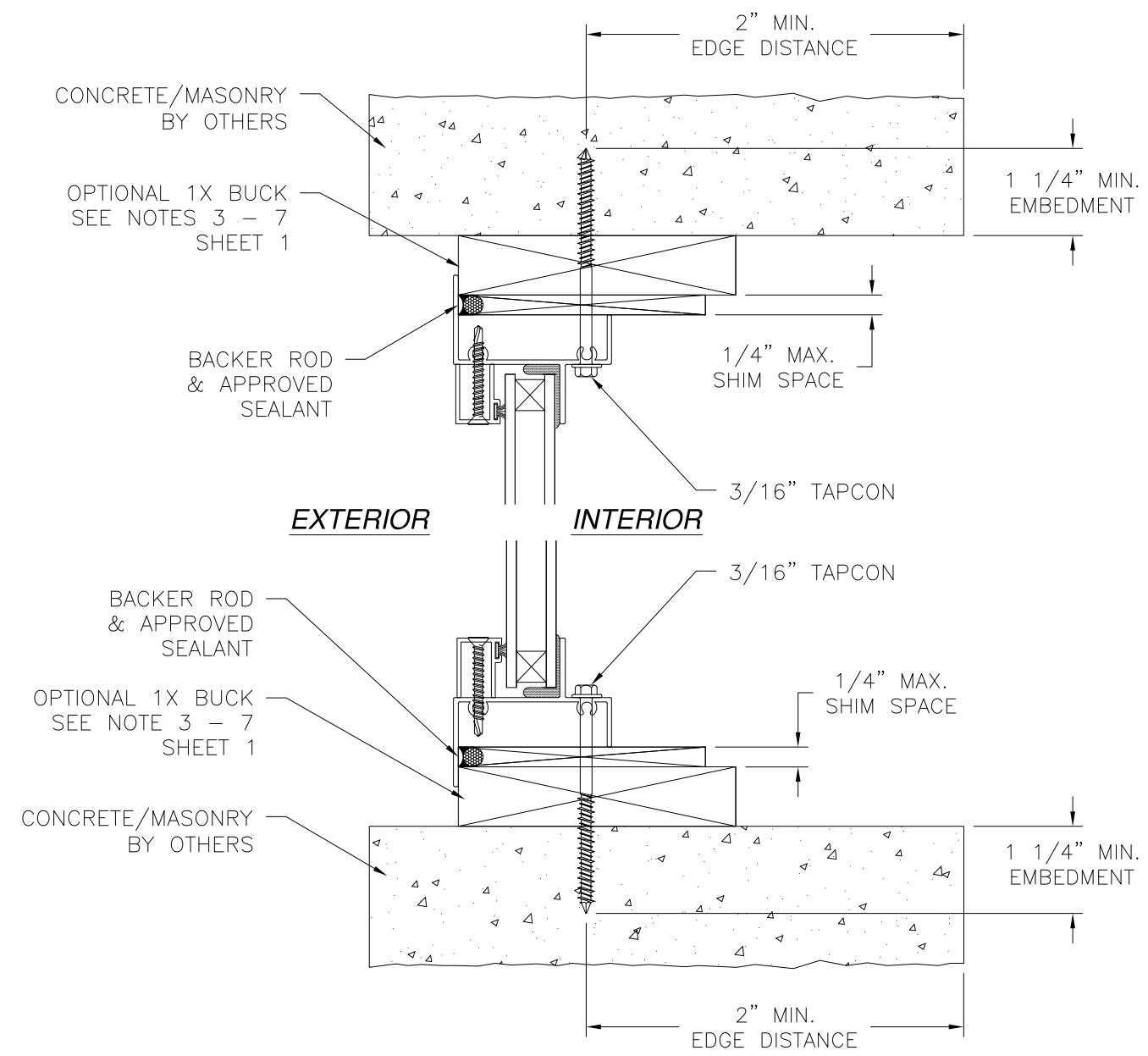
L. ROBERTO LOMAS P.E.
 1432 WOODFORD RD LEWISVILLE, NC 27023
 434-688-0609 rllomas@rlomaspe.com

SIGNED: 03/12/2019

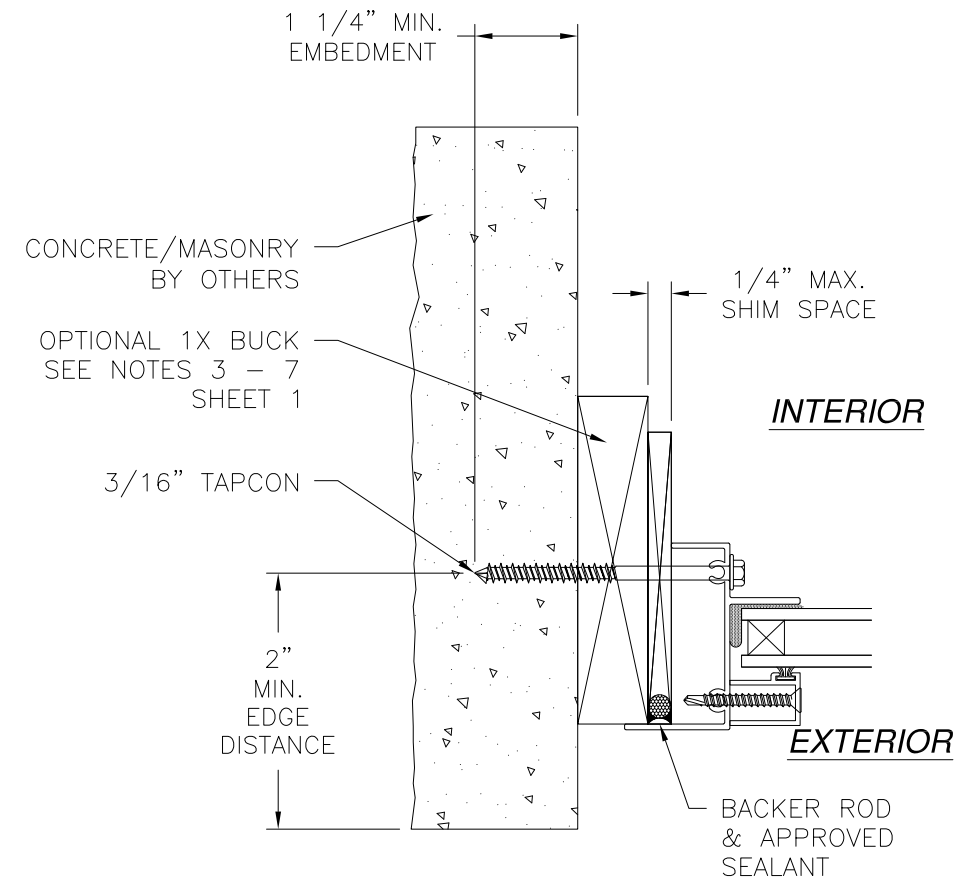


Luis R. Lomas P.E.
 TX No.: 101889

REVISIONS			
REV	DESCRIPTION	DATE	APPROVED



VERTICAL CROSS SECTION
CONCRETE/MASONRY INSTALLATION



JAMB INSTALLATION DETAIL
CONCRETE/MASONRY INSTALLATION

NOTES:
 1. INTERIOR AND EXTERIOR FINISHES, BY OTHERS, NOT SHOWN FOR CLARITY.
 2. PERIMETER AND JOINT SEALANT BY OTHERS TO BE DESIGNED IN ACCORDANCE WITH ASTM E2112

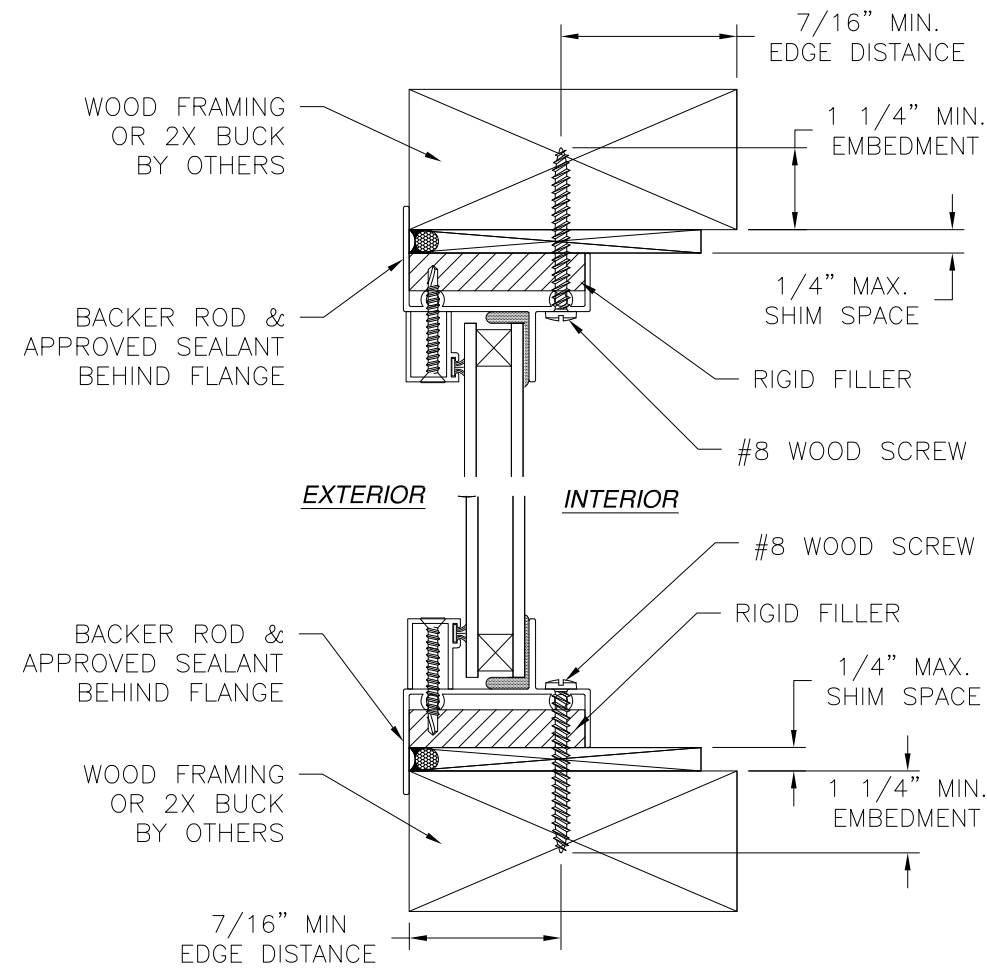
SIGNED: 03/12/2019

MI WINDOWS AND DOORS, LLC 650 W. MARKET ST. GRATZ, PA 17030		
185 PICTURE WINDOW NON-IMPACT 37" X 78" FLANGE INSTALLATION DETAILS		
DRAWN: A.R.	DWG NO. 08-03394	REV -
SCALE NTS	DATE 03/12/19	SHEET 4 OF 13
L. ROBERTO LOMAS P.E. 1432 WOODFORD RD LEWISVILLE, NC 27023 434-688-0609 rllomas@rlomaspe.com		

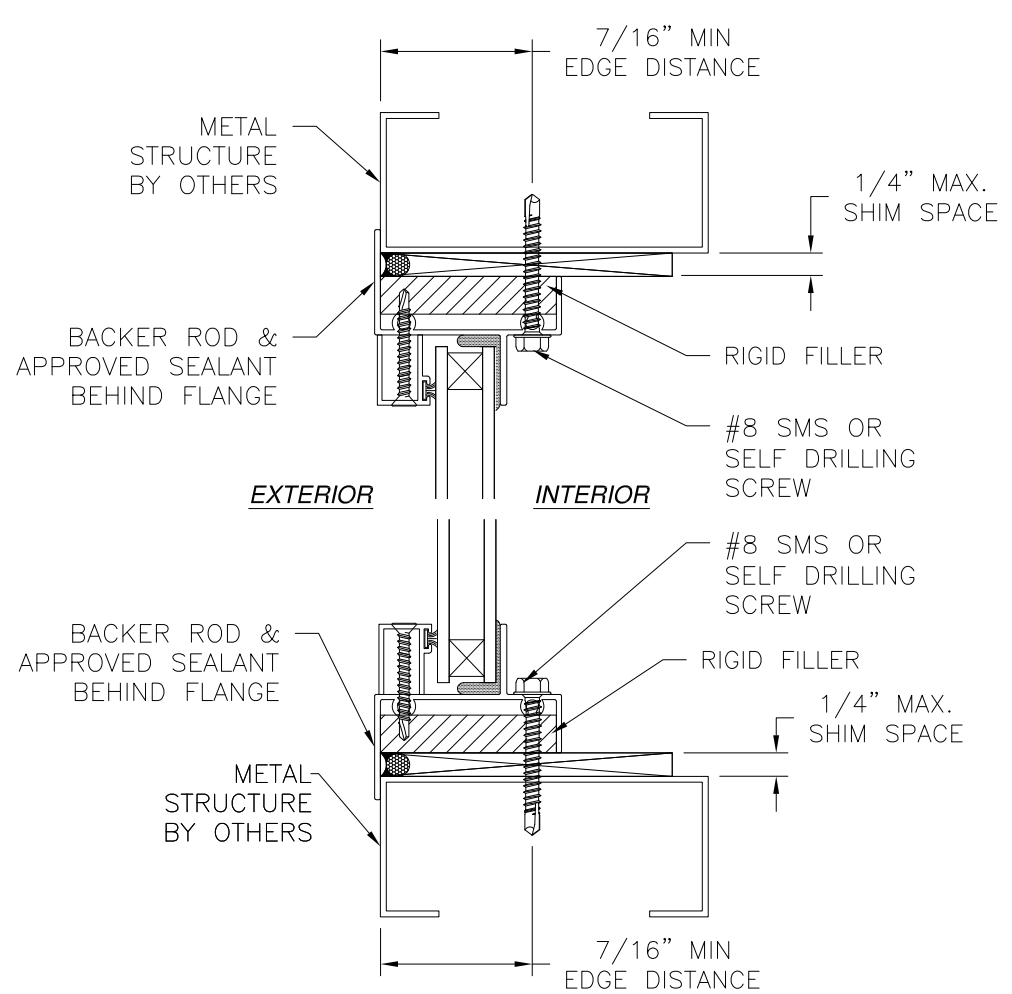


Luis R. Lomas P.E.
TX No.: 101889

REVISIONS			
REV	DESCRIPTION	DATE	APPROVED

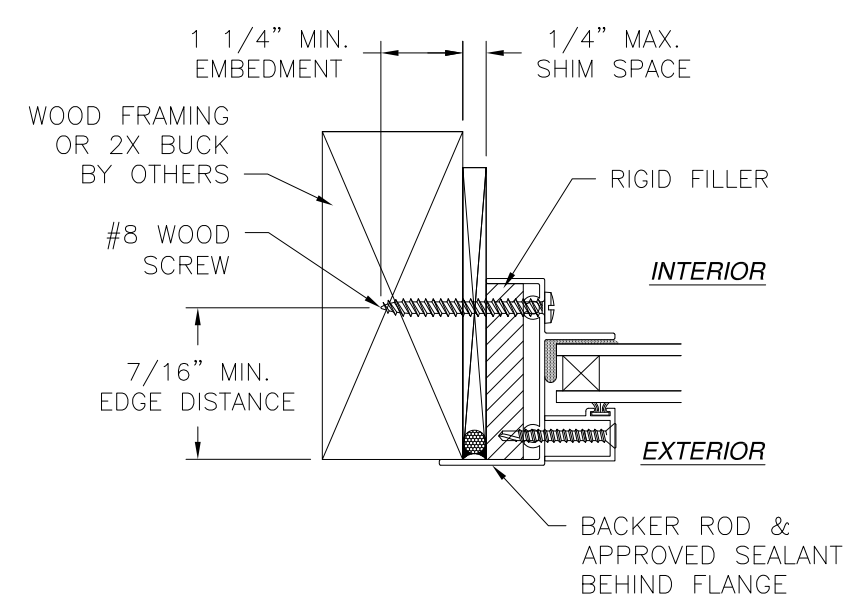


VERTICAL CROSS SECTION
WOOD FRAMING OR 2X BUCK INSTALLATION

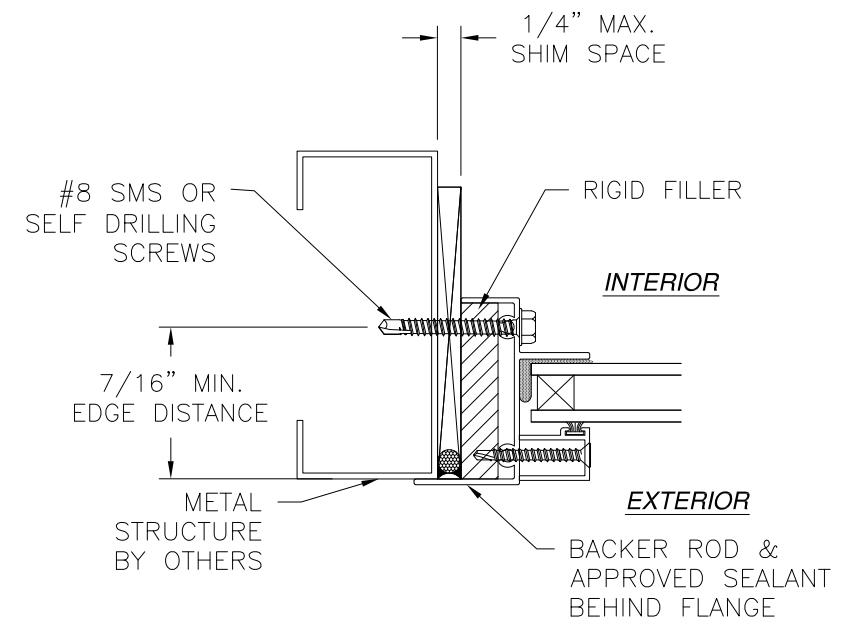


VERTICAL CROSS SECTION
METAL STRUCTURE INSTALLATION

NOTES:
 1. INTERIOR AND EXTERIOR FINISHES, BY OTHERS, NOT SHOWN FOR CLARITY.
 2. PERIMETER AND JOINT SEALANT BY OTHERS TO BE DESIGNED IN ACCORDANCE WITH ASTM E2112



JAMB INSTALLATION DETAIL
WOOD FRAMING OR 2X BUCK INSTALLATION



JAMB INSTALLATION DETAIL
METAL STRUCTURE INSTALLATION

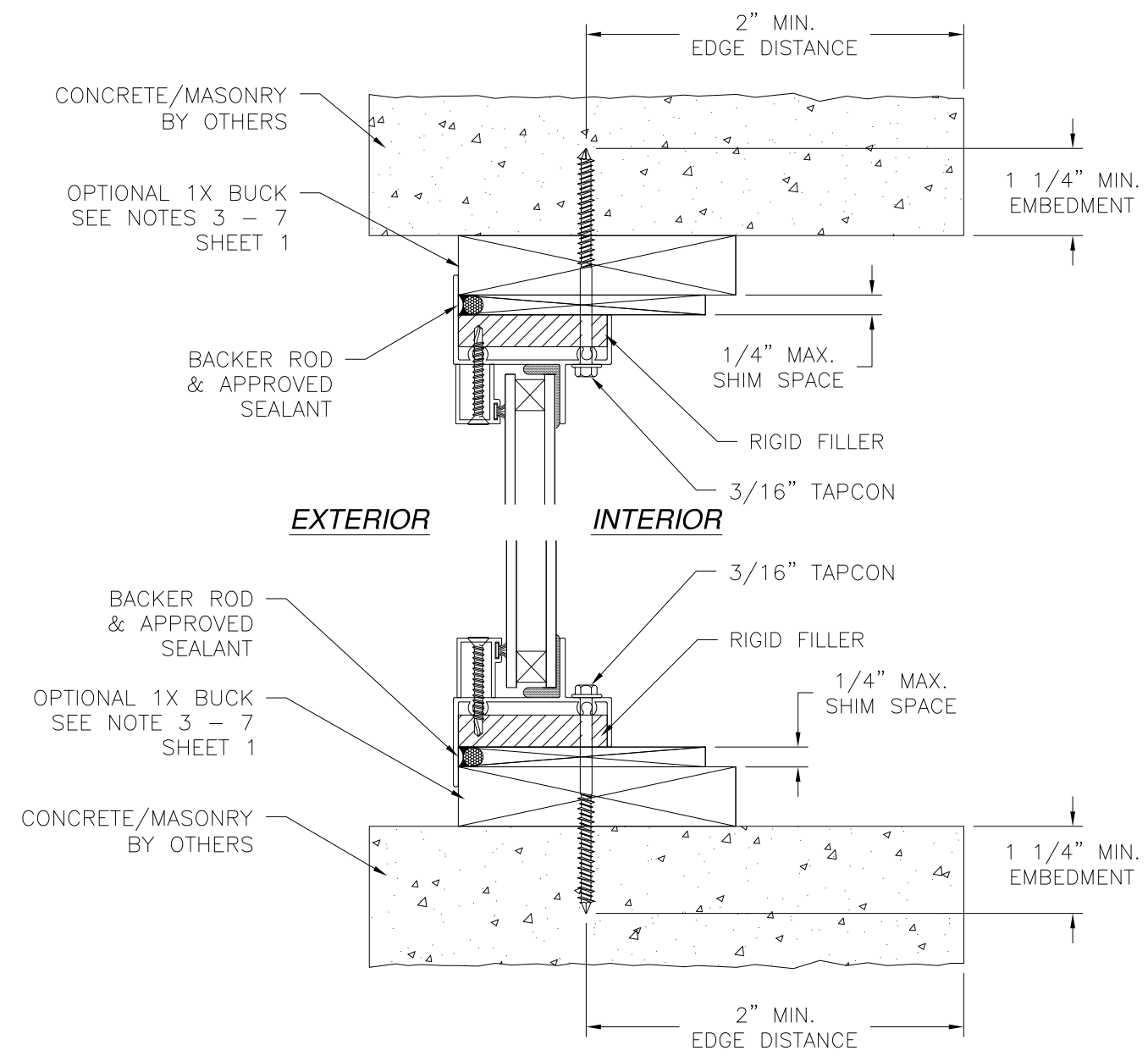
MI WINDOWS AND DOORS, LLC 650 W. MARKET ST. GRATZ, PA 17030		
185 PICTURE WINDOW NON-IMPACT 37" X 78" FLANGE INSTALLATION DETAILS WITH RIGID FILLERS		
DRAWN: A.R.	DWG NO. 08-03394	REV -
SCALE NTS	DATE 03/12/19	SHEET 5 OF 13
L. ROBERTO LOMAS P.E. 1432 WOODFORD RD LEWISVILLE, NC 27023 434-688-0609 rllomas@lrlomaspe.com		

SIGNED: 03/12/2019

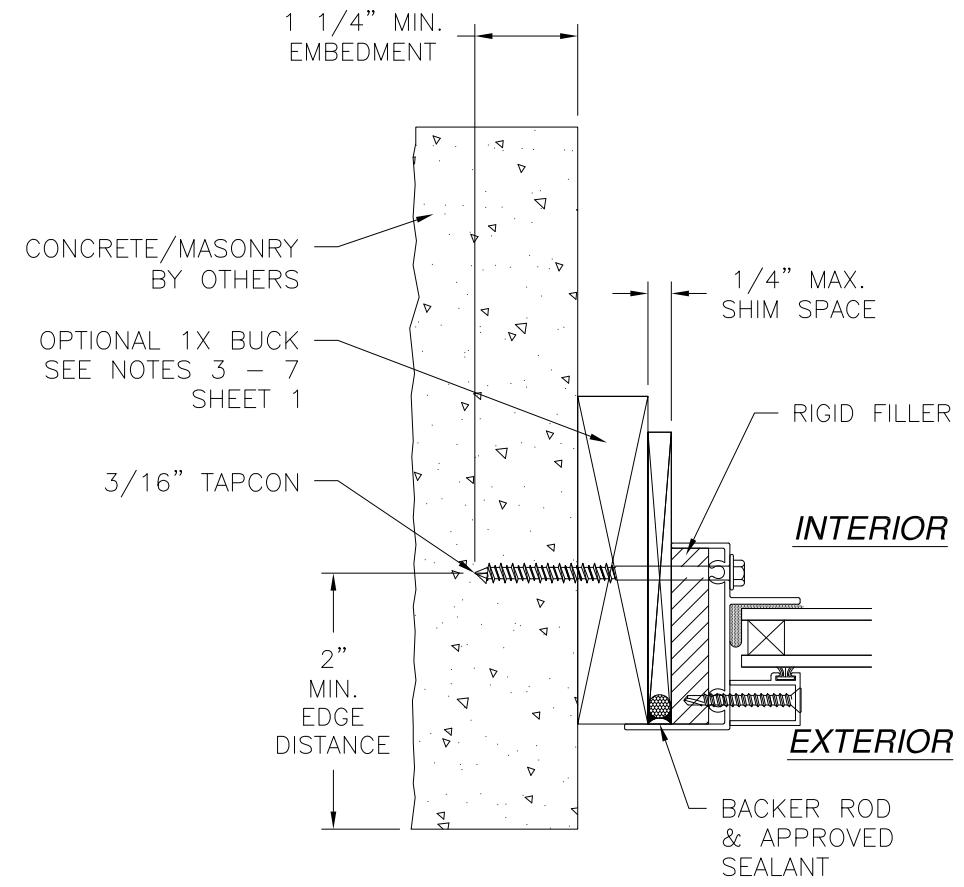


Luis R. Lomas P.E.
TX No.: 101889

REVISIONS			
REV	DESCRIPTION	DATE	APPROVED



VERTICAL CROSS SECTION
CONCRETE/MASONRY INSTALLATION



JAMB INSTALLATION DETAIL
CONCRETE/MASONRY INSTALLATION

NOTES:
 1. INTERIOR AND EXTERIOR FINISHES, BY OTHERS, NOT SHOWN FOR CLARITY.
 2. PERIMETER AND JOINT SEALANT BY OTHERS TO BE DESIGNED IN ACCORDANCE WITH ASTM E2112

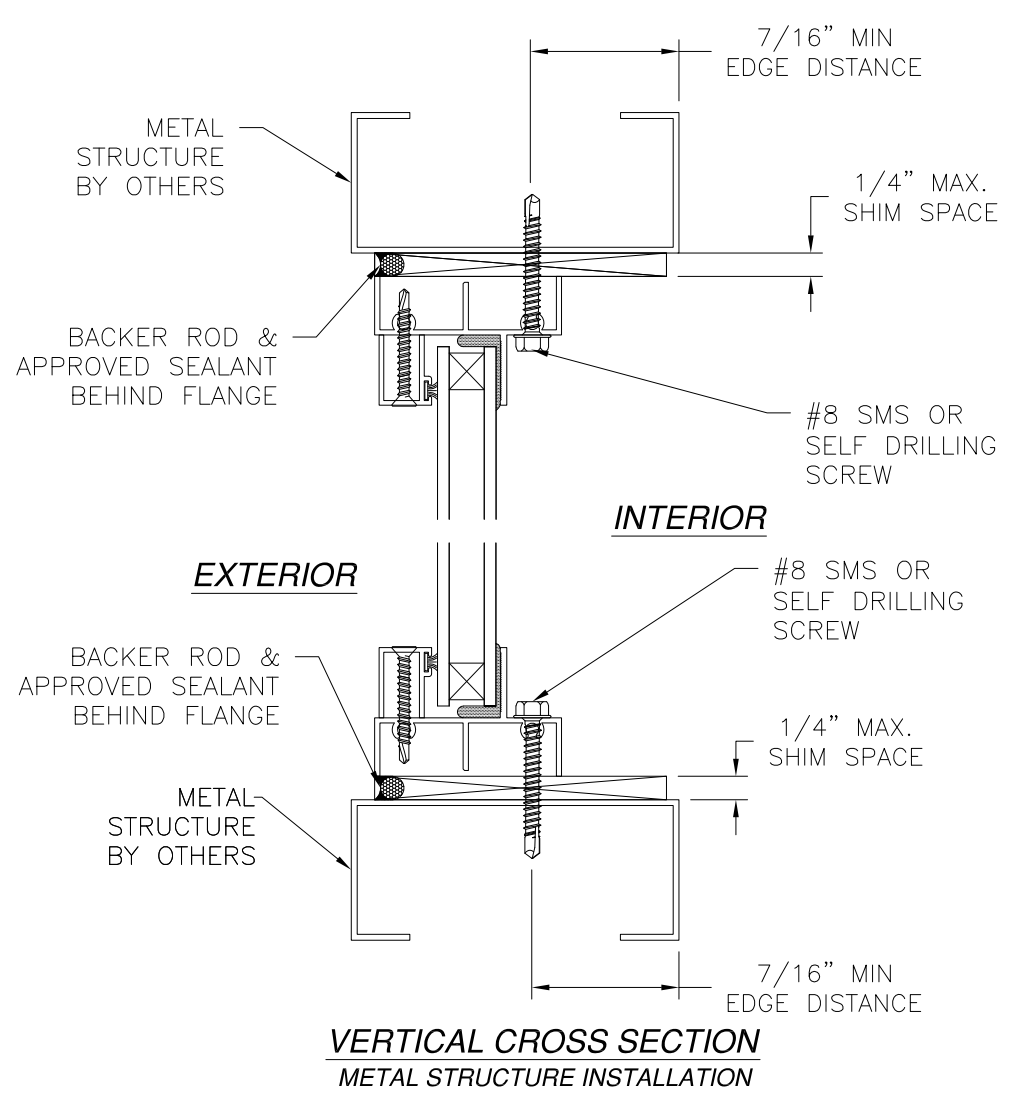
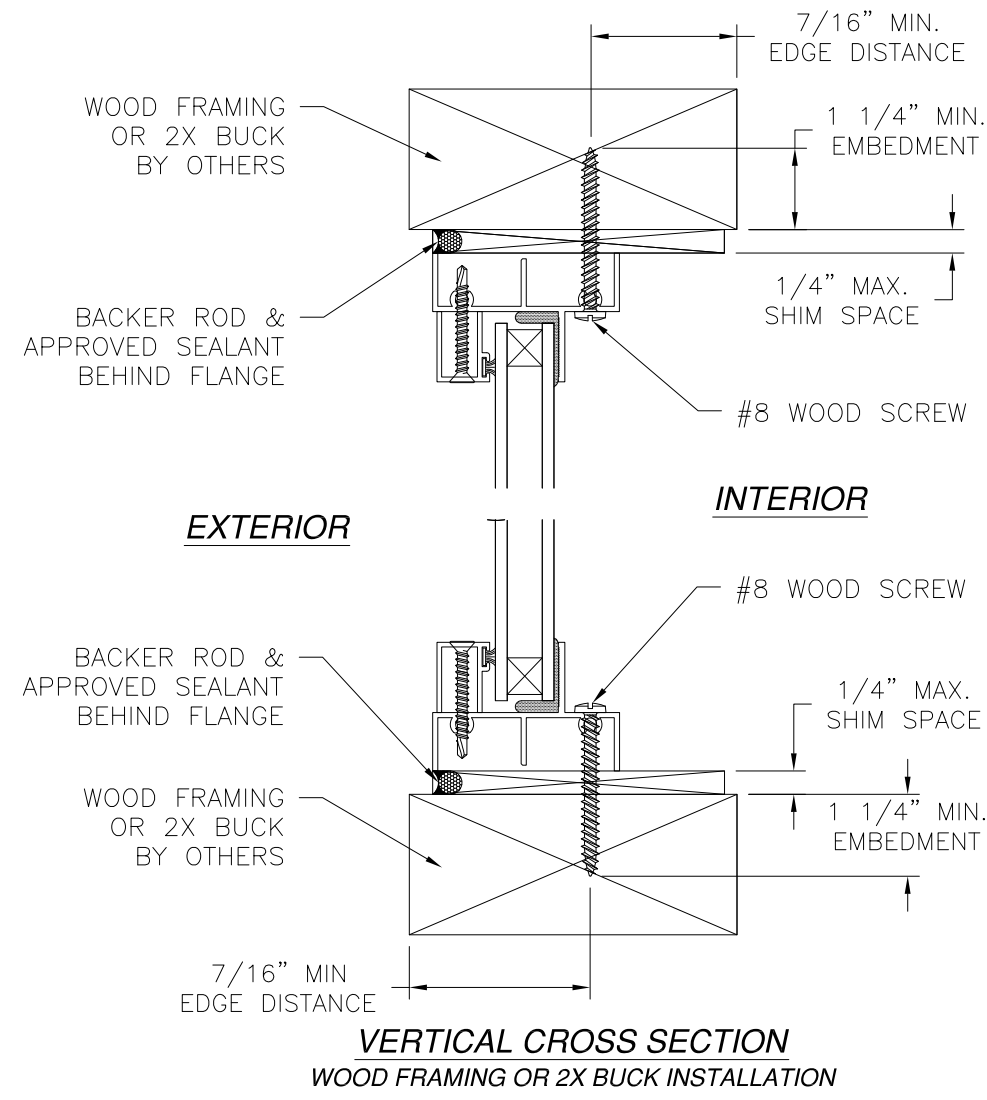
SIGNED: 03/12/2019

MI WINDOWS AND DOORS, LLC 650 W. MARKET ST. GRATZ, PA 17030		
185 PICTURE WINDOW NON-IMPACT 37" X 78" FLANGE INSTALLATION DETAILS WITH RIGID FILLERS		
DRAWN: A.R.	DWG NO. 08-03394	REV -
SCALE NTS	DATE 03/12/19	SHEET 6 OF 13
L. ROBERTO LOMAS P.E. 1432 WOODFORD RD LEWISVILLE, NC 27023 434-688-0609 rllomas@rlomaspe.com		

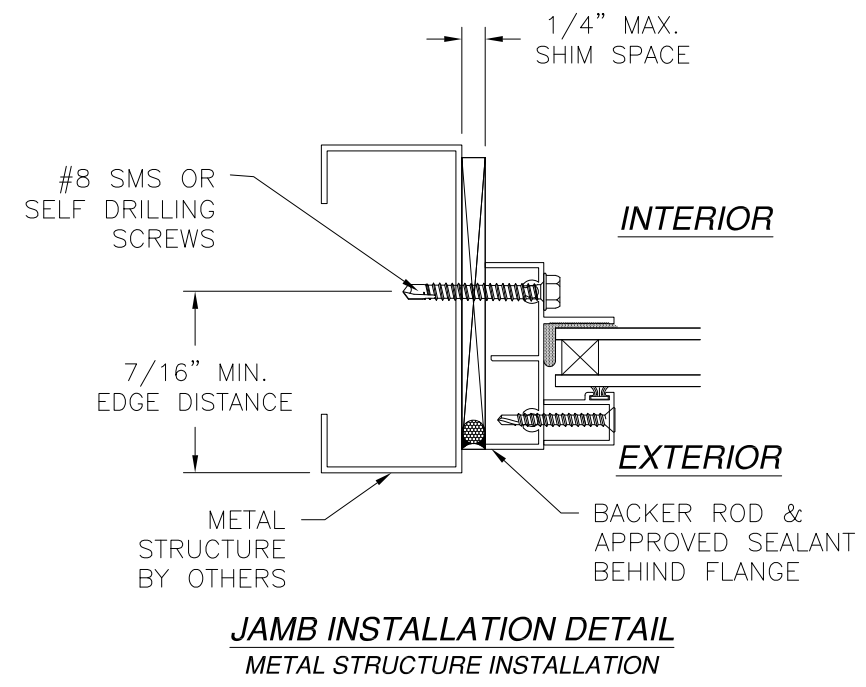
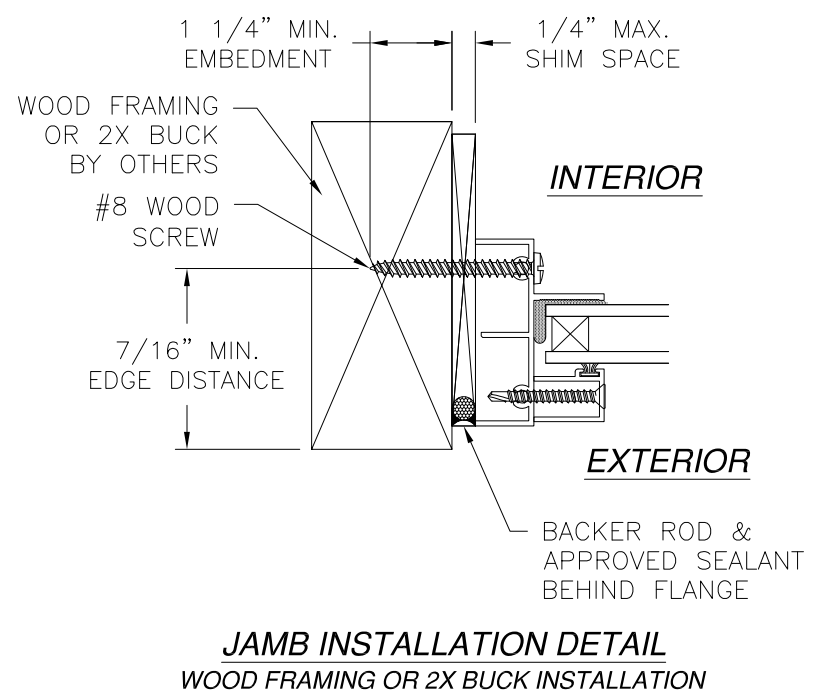


Luis R. Lomas P.E.
TX No.: 101889

REVISIONS			
REV	DESCRIPTION	DATE	APPROVED



NOTES:
 1. INTERIOR AND EXTERIOR FINISHES, BY OTHERS, NOT SHOWN FOR CLARITY.
 2. PERIMETER AND JOINT SEALANT BY OTHERS TO BE DESIGNED IN ACCORDANCE WITH ASTM E2112



MI WINDOWS AND DOORS, LLC
 650 W. MARKET ST.
 GRATZ, PA 17030

185 PICTURE WINDOW
 NON-IMPACT 37" X 78"
 FINLESS INSTALLATION DETAILS

DRAWN: A.R.	DWG NO. 08-03394	REV -
SCALE NTS	DATE 03/12/19	SHEET 7 OF 13

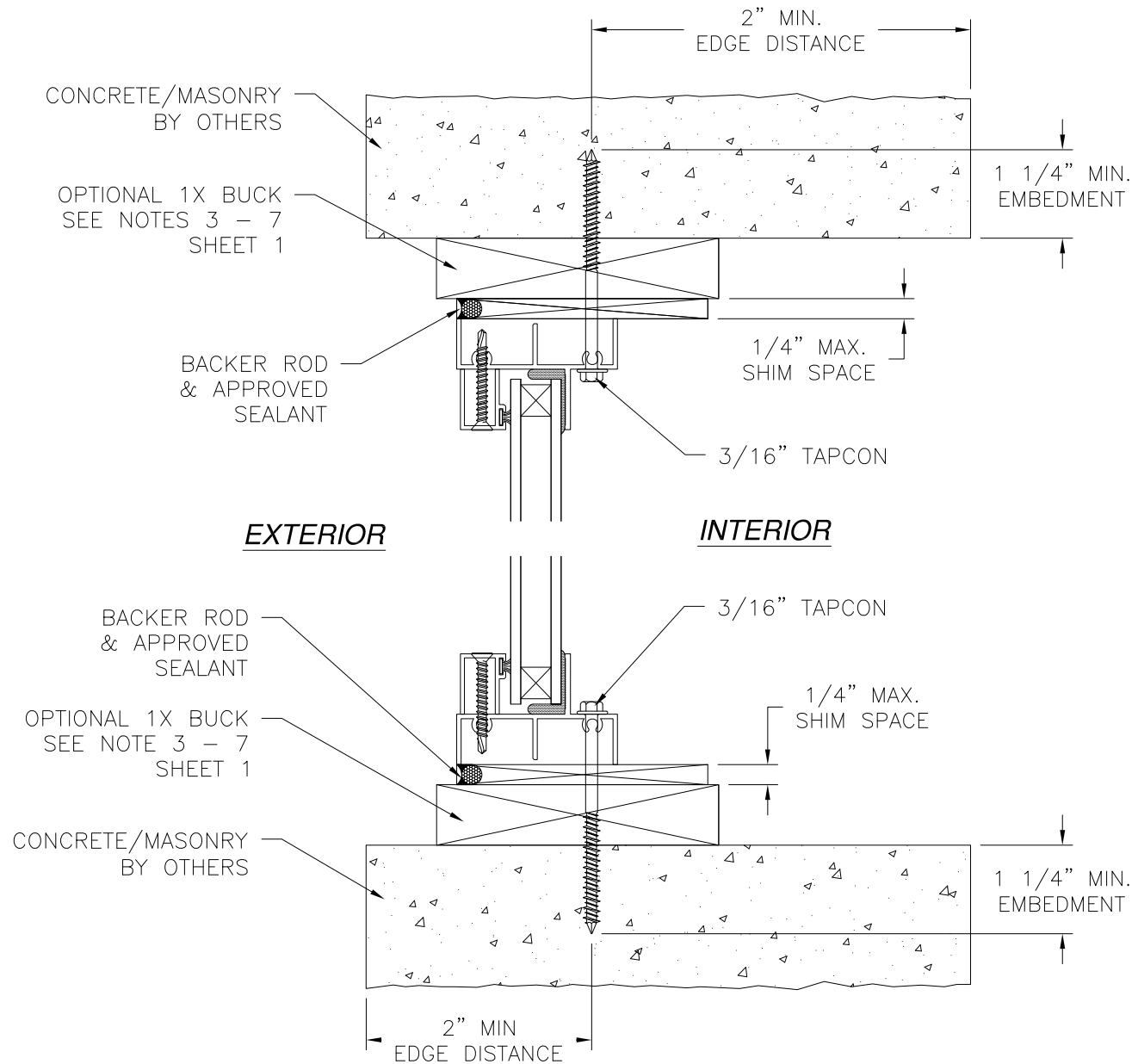
L. ROBERTO LOMAS P.E.
 1432 WOODFORD RD LEWISVILLE, NC 27023
 434-688-0609 rllomas@rlomaspe.com

SIGNED: 03/12/2019

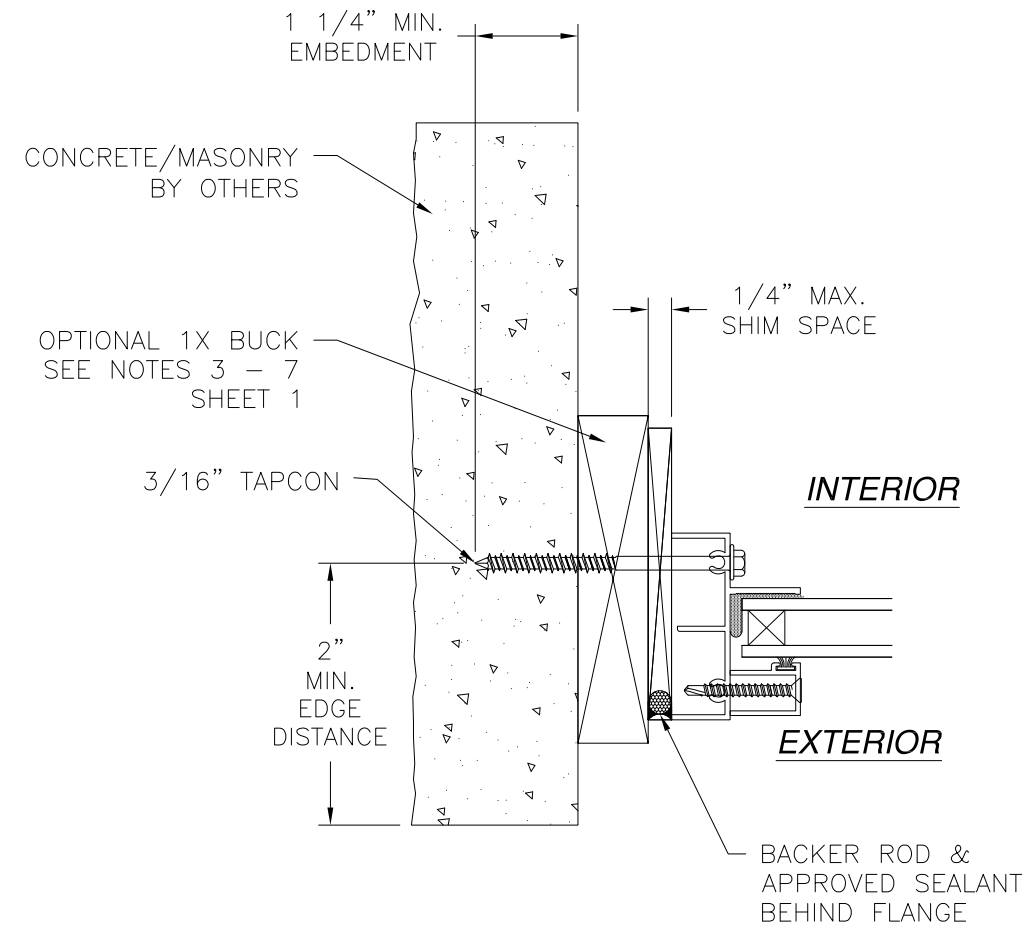


Luis R. Lomas P.E.
 TX No.: 101889

REVISIONS			
REV	DESCRIPTION	DATE	APPROVED



**VERTICAL CROSS SECTION
CONCRETE/MASONRY INSTALLATION**



**JAMB INSTALLATION DETAIL
CONCRETE/MASONRY INSTALLATION**

NOTES:
 1. INTERIOR AND EXTERIOR FINISHES, BY OTHERS, NOT SHOWN FOR CLARITY.
 2. PERIMETER AND JOINT SEALANT BY OTHERS TO BE DESIGNED IN ACCORDANCE WITH ASTM E2112

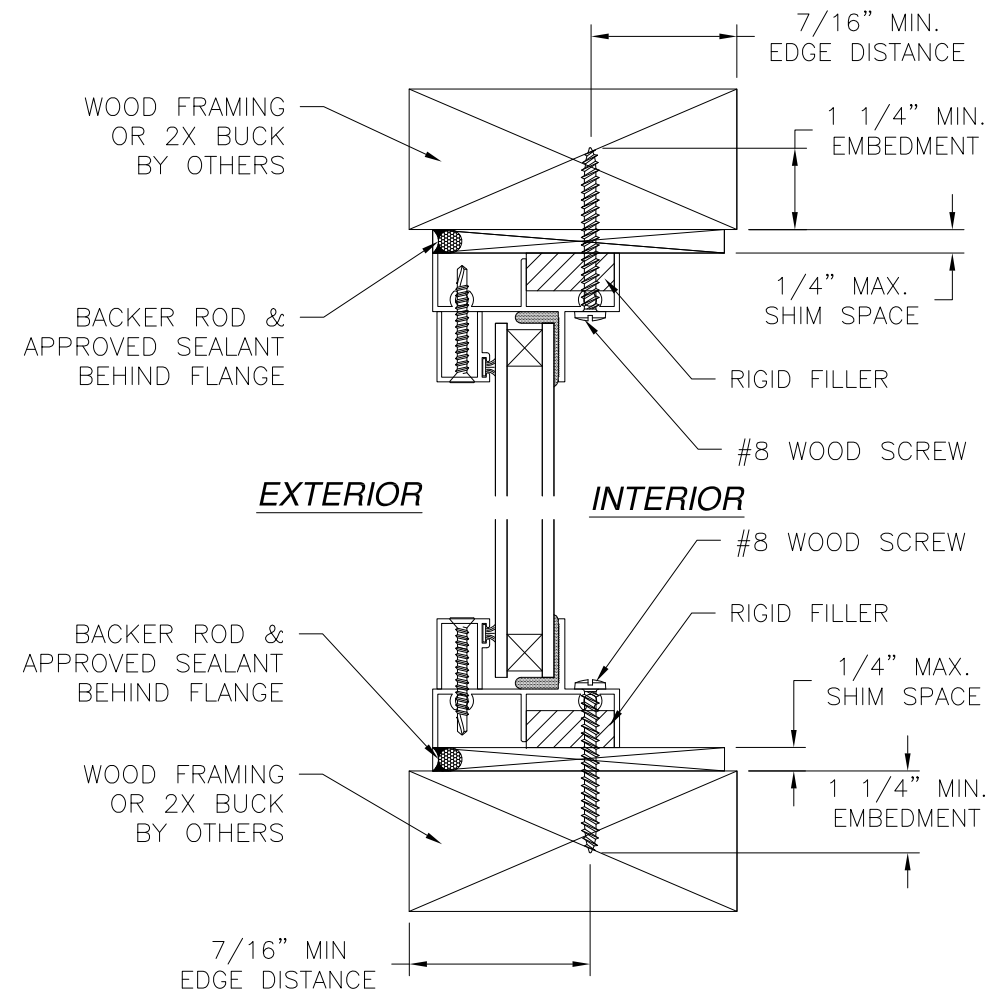
MI WINDOWS AND DOORS, LLC 650 W. MARKET ST. GRATZ, PA 17030		
185 PICTURE WINDOW NON-IMPACT 37" X 78" FINLESS INSTALLATION DETAILS		
DRAWN: A.R.	DWG NO. 08-03394	REV -
SCALE NTS	DATE 03/12/19	SHEET 8 OF 13
L. ROBERTO LOMAS P.E. 1432 WOODFORD RD LEWISVILLE, NC 27023 434-688-0609 rllomas@rlomaspe.com		

SIGNED: 03/12/2019

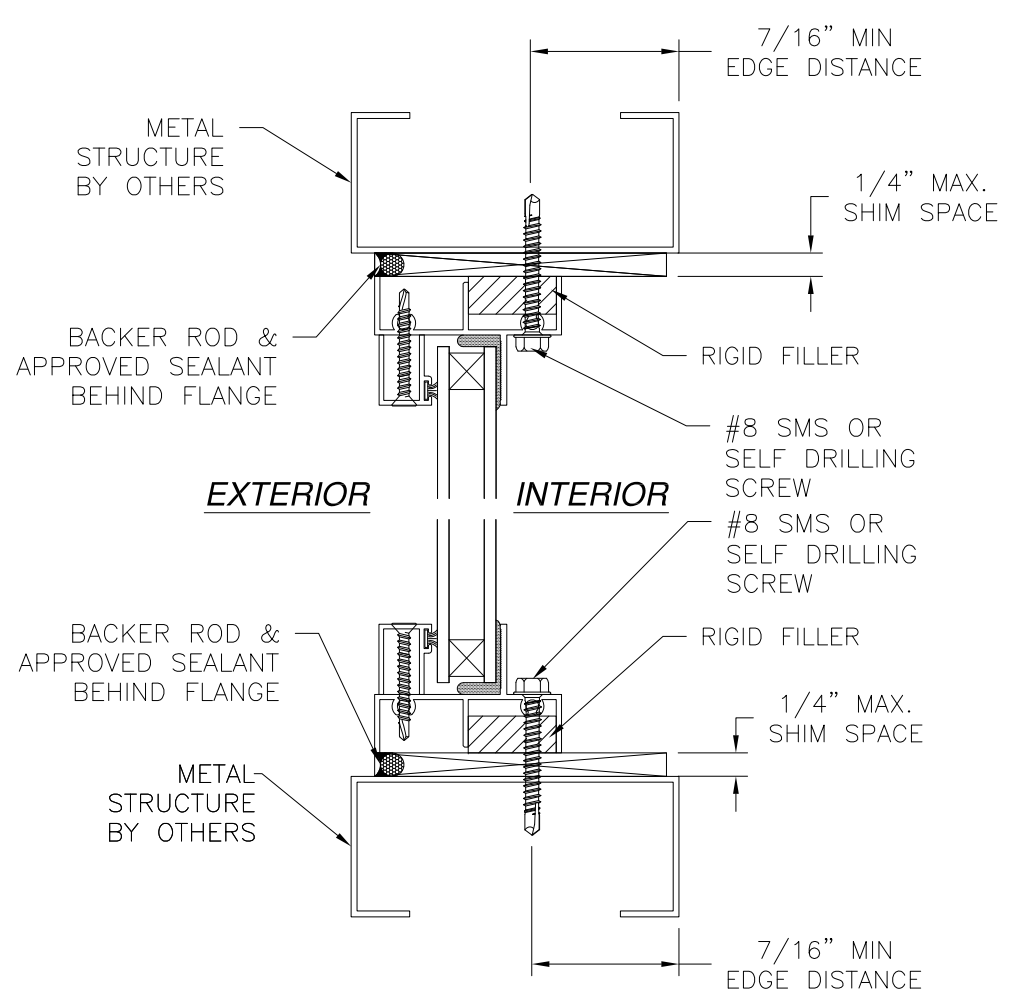


Luis R. Lomas P.E.
TX No.: 101889

REVISIONS			
REV	DESCRIPTION	DATE	APPROVED

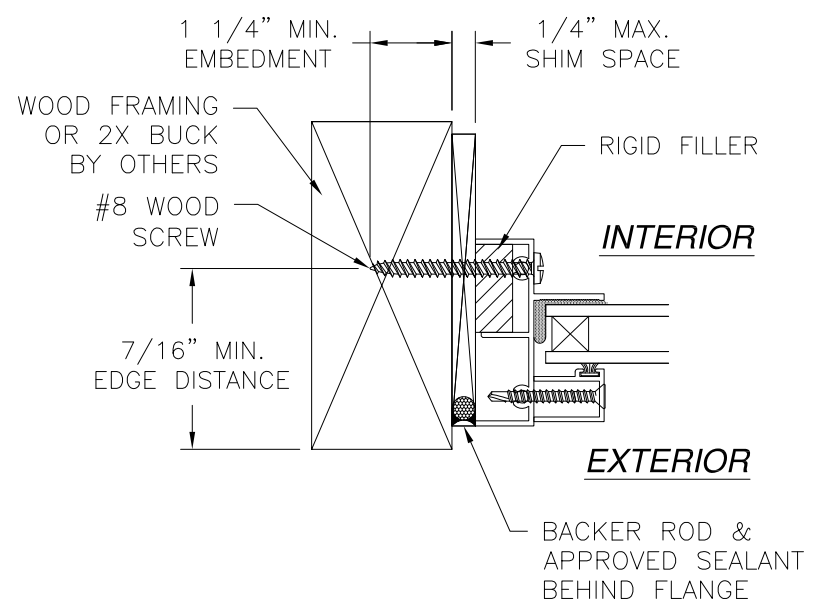


VERTICAL CROSS SECTION
WOOD FRAMING OR 2X BUCK INSTALLATION

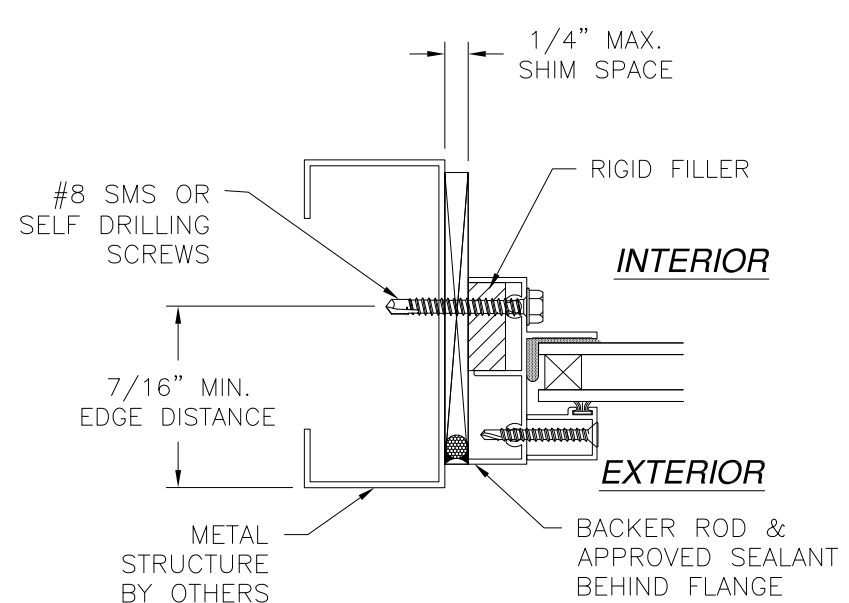


VERTICAL CROSS SECTION
METAL STRUCTURE INSTALLATION

NOTES:
1. INTERIOR AND EXTERIOR FINISHES, BY OTHERS, NOT SHOWN FOR CLARITY.
2. PERIMETER AND JOINT SEALANT BY OTHERS TO BE DESIGNED IN ACCORDANCE WITH ASTM E2112



JAMB INSTALLATION DETAIL
WOOD FRAMING OR 2X BUCK INSTALLATION



JAMB INSTALLATION DETAIL
METAL STRUCTURE INSTALLATION

MI WINDOWS AND DOORS, LLC
650 W. MARKET ST.
GRATZ, PA 17030

185 PICTURE WINDOW
NON-IMPACT 37" X 78"
FINLESS INSTALLATION DETAILS WITH RIGID FILLERS

DRAWN: A.R.	DWG NO. 08-03394	REV -
SCALE NTS	DATE 03/12/19	SHEET 9 OF 13

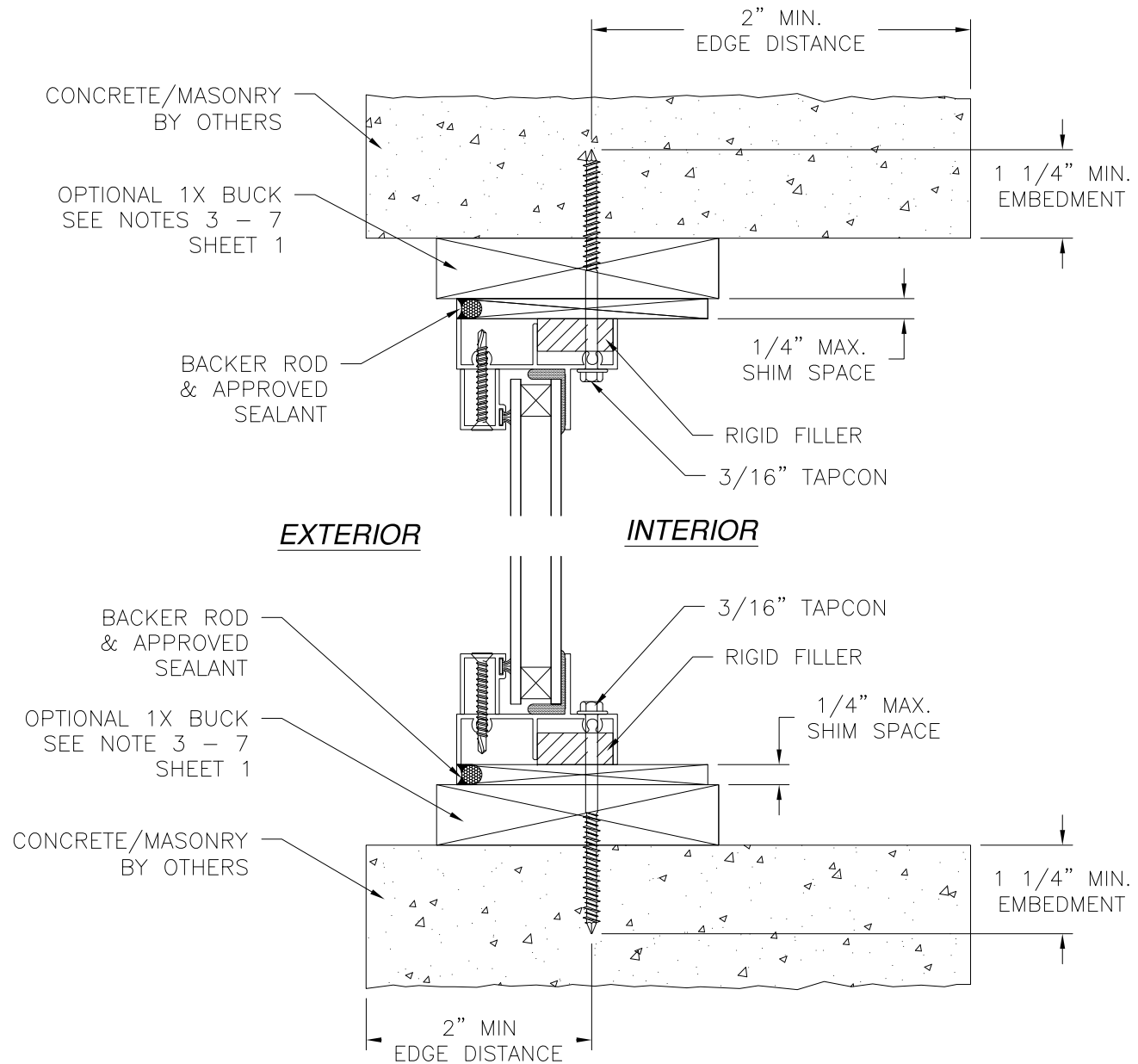
L. ROBERTO LOMAS P.E.
1432 WOODFORD RD LEWISVILLE, NC 27023
434-688-0609 rllomas@lrlomaspe.com

SIGNED: 03/12/2019

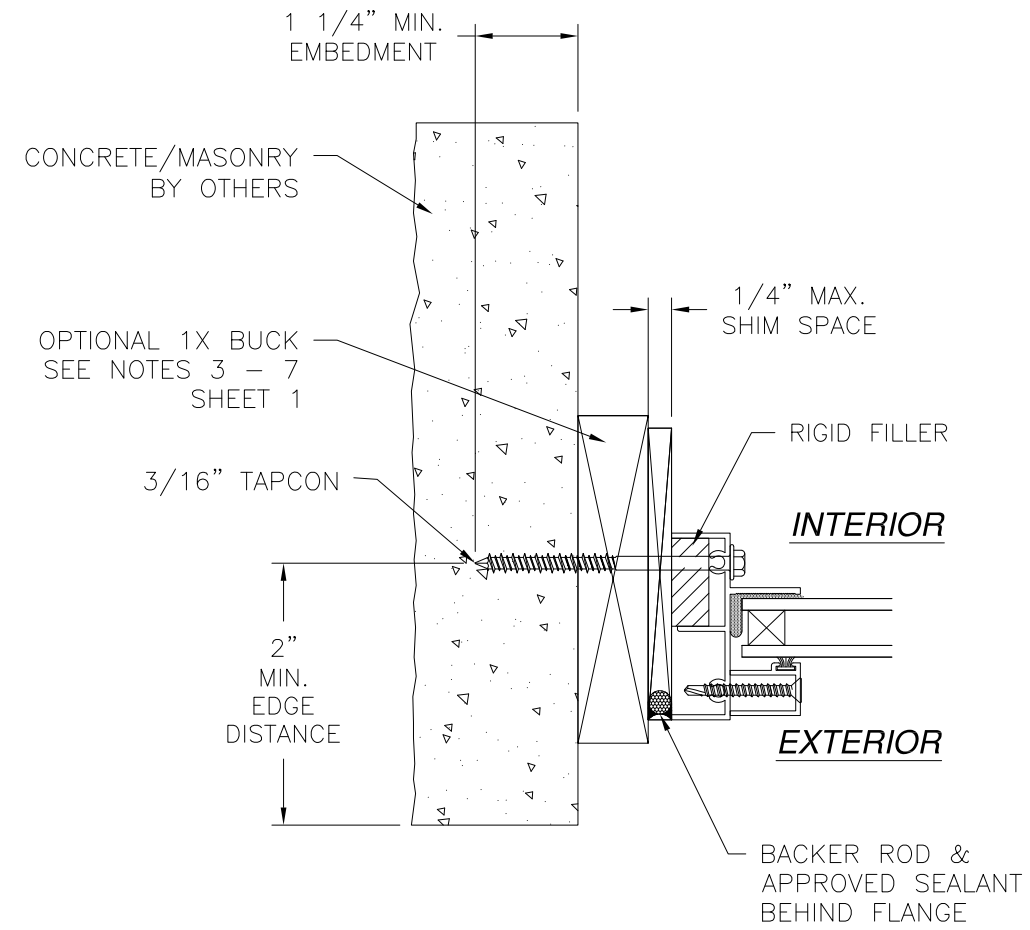


Luis R. Lomas P.E.
TX No.: 101889

REVISIONS			
REV	DESCRIPTION	DATE	APPROVED



VERTICAL CROSS SECTION
CONCRETE/MASONRY INSTALLATION



JAMB INSTALLATION DETAIL
CONCRETE/MASONRY INSTALLATION

NOTES:
 1. INTERIOR AND EXTERIOR FINISHES, BY OTHERS, NOT SHOWN FOR CLARITY.
 2. PERIMETER AND JOINT SEALANT BY OTHERS TO BE DESIGNED IN ACCORDANCE WITH ASTM E2112

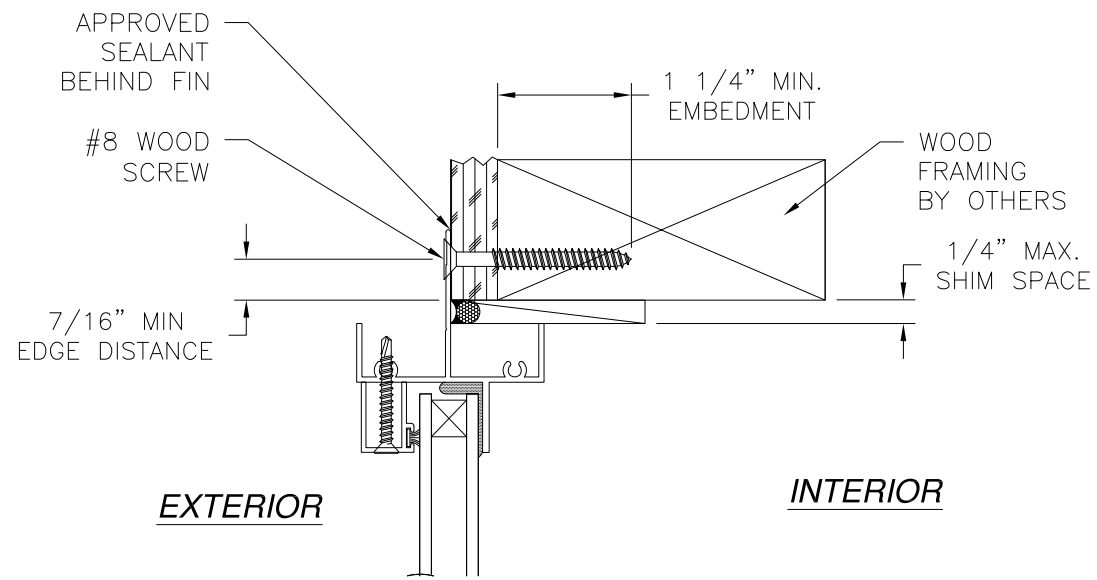
SIGNED: 03/12/2019

MI WINDOWS AND DOORS, LLC 650 W. MARKET ST. GRATZ, PA 17030		
185 PICTURE WINDOW NON-IMPACT 37" X 78" FINLESS INSTALLATION DETAILS WITH RIGID FILLERS		
DRAWN: A.R.	DWG NO. 08-03394	REV -
SCALE NTS	DATE 03/12/19	SHEET 10 OF 13
L. ROBERTO LOMAS P.E. 1432 WOODFORD RD LEWISVILLE, NC 27023 434-688-0609 rllomas@rlomaspe.com		

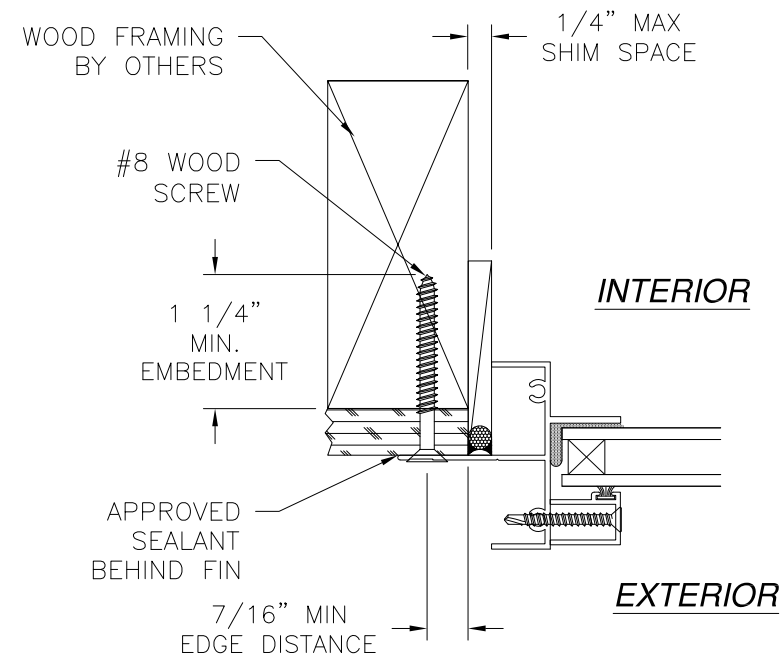


Luis R. Lomas P.E.
TX No.: 101889

REVISIONS			
REV	DESCRIPTION	DATE	APPROVED



VERTICAL CROSS SECTION
WOOD FRAMING OR 2X BUCK INSTALLATION



JAMB INSTALLATION DETAIL
WOOD FRAMING OR 2X BUCK INSTALLATION

- NOTES:**
1. INTERIOR AND EXTERIOR FINISHES, BY OTHERS, NOT SHOWN FOR CLARITY.
 2. PERIMETER AND JOINT SEALANT BY OTHERS TO BE DESIGNED IN ACCORDANCE WITH ASTM E2112

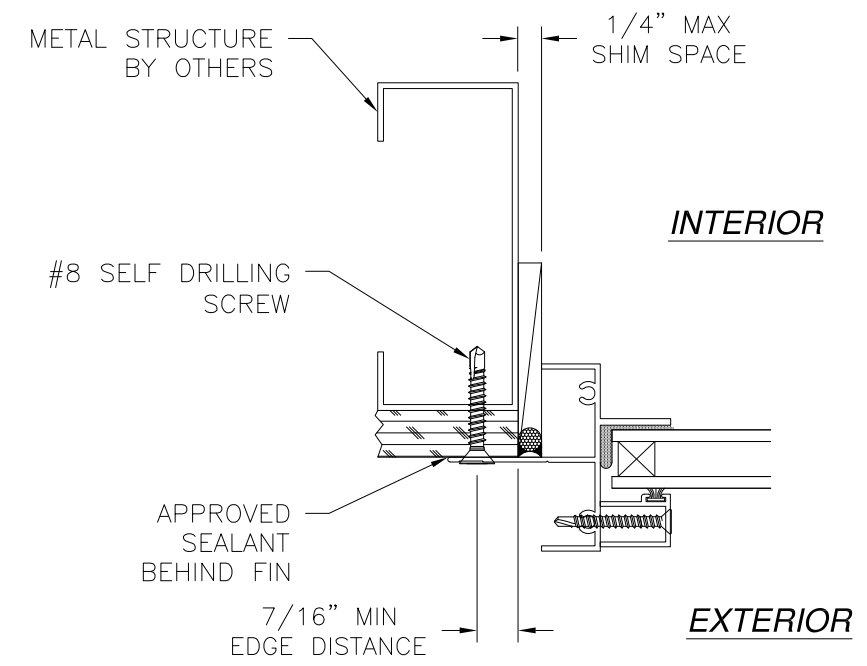
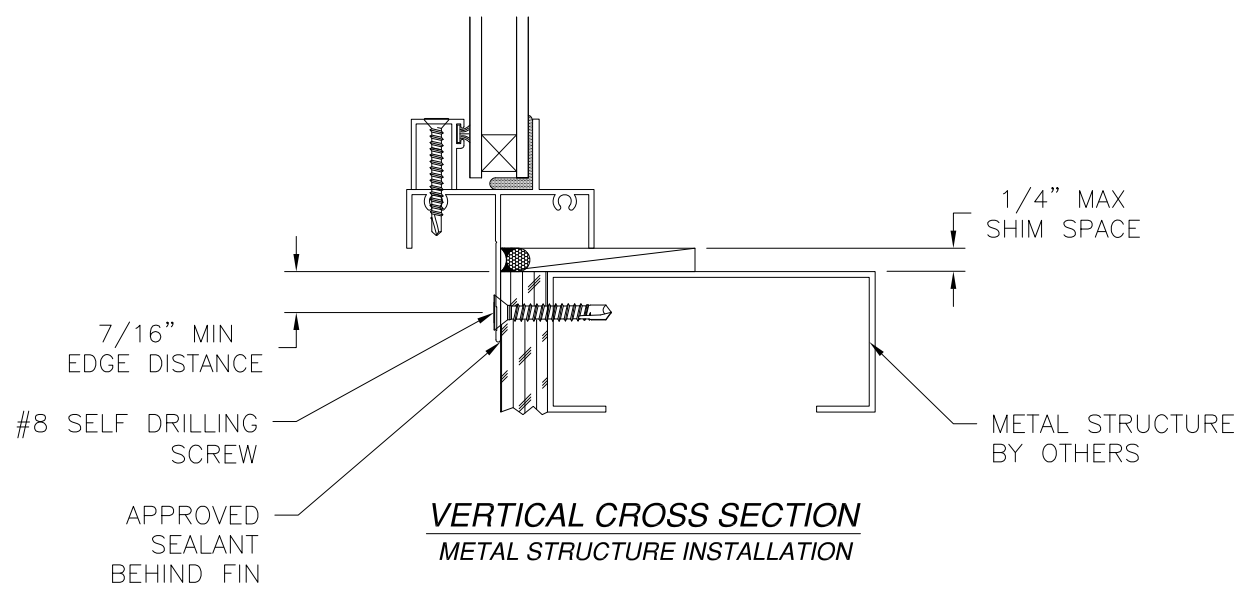
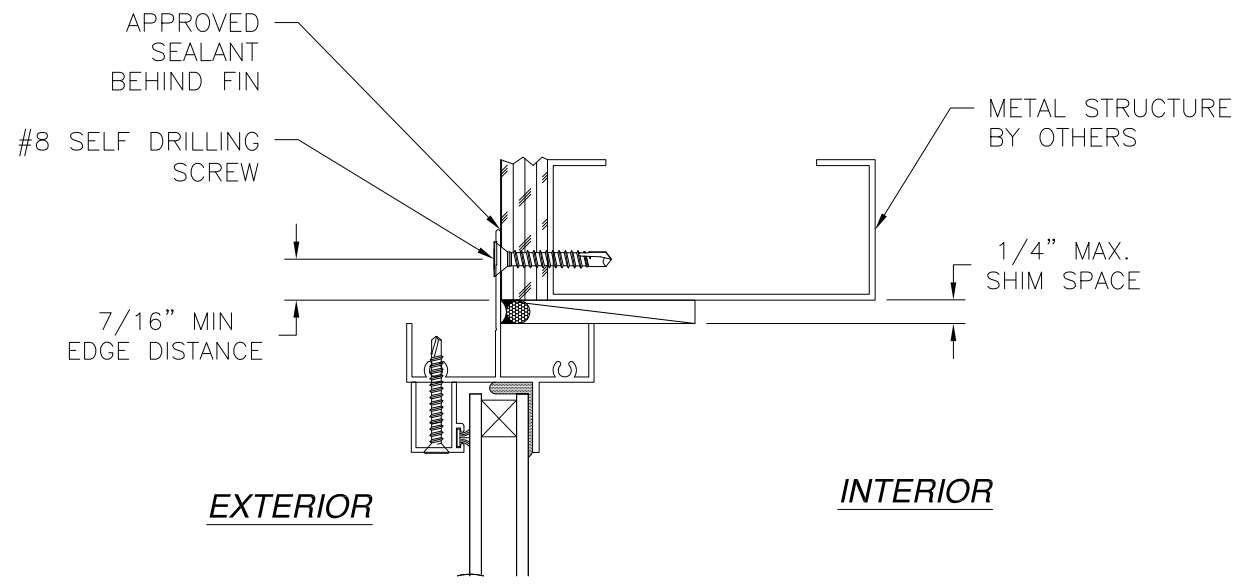
SIGNED: 03/12/2019

MI WINDOWS AND DOORS, LLC 650 W. MARKET ST. GRATZ, PA 17030		
185 PICTURE WINDOW NON-IMPACT 37" X 78" FIN INSTALLATION DETAILS		
DRAWN: A.R.	DWG NO. 08-03394	REV -
SCALE NTS	DATE 03/12/19	SHEET 11 OF 13
L. ROBERTO LOMAS P.E. 1432 WOODFORD RD LEWISVILLE, NC 27023 434-688-0609 rllomas@rlomaspe.com		



Luis R. Lomas P.E.
TX No.: 101889

REVISIONS			
REV	DESCRIPTION	DATE	APPROVED



JAMB INSTALLATION DETAIL
METAL STRUCTURE INSTALLATION

NOTES:
 1. INTERIOR AND EXTERIOR FINISHES, BY OTHERS, NOT SHOWN FOR CLARITY.
 2. PERIMETER AND JOINT SEALANT BY OTHERS TO BE DESIGNED IN ACCORDANCE WITH ASTM E2112

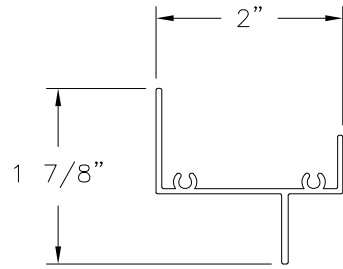
SIGNED: 03/12/2019

MI WINDOWS AND DOORS, LLC 650 W. MARKET ST. GRATZ, PA 17030		
185 PICTURE WINDOW NON-IMPACT 37" X 78" FIN INSTALLATION DETAILS		
DRAWN: A.R.	DWG NO. 08-03394	REV -
SCALE NTS	DATE 03/12/19	SHEET 12 OF 13
L. ROBERTO LOMAS P.E. 1432 WOODFORD RD LEWISVILLE, NC 27023 434-688-0609 rllomas@rlomaspe.com		

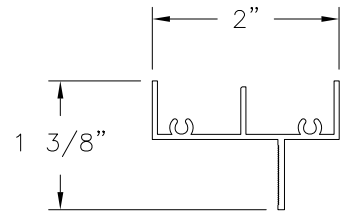


Luis R. Lomas P.E.
TX No.: 101889

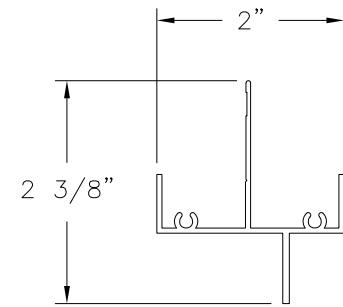
REVISIONS			
REV	DESCRIPTION	DATE	APPROVED



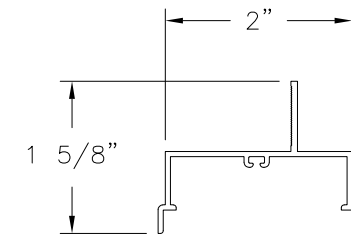
MAIN FRAME
FINLESS INSTALLATION WITH FLANGE
ALUMINUM 6063-T5 (CM-18524)



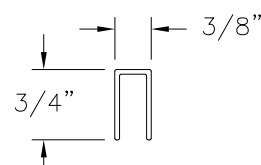
MAIN FRAME
FINLESS INSTALLATION
ALUMINUM 6063-T5 (CM-18524)



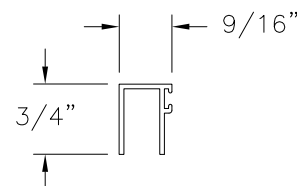
MAIN FRAME
FIN INSTALLATION
ALUMINUM 6063-T5 (CM-18522)



SILL STACKING FRAME
FIN INSTALLATION
ALUMINUM 6063-T5 (CM-18523)



GLAZING BEAD
INSULATED GLASS
ALUMINUM 6063-T5 (CM-18540)



GLAZING BEAD
MONOLITHIC GLASS
ALUMINUM 6063-T5 (CM-18526)

SIGNED: 03/12/2019

MI WINDOWS AND DOORS, LLC 650 W. MARKET ST. GRATZ, PA 17030		
185 PICTURE WINDOW NON-IMPACT 37" X 78" COMPONENTS		
DRAWN: A.R.	DWG NO. 08-03394	REV -
SCALE NTS	DATE 03/12/19	SHEET 13 OF 13
L. ROBERTO LOMAS P.E. 1432 WOODFORD RD LEWISVILLE, NC 27023 434-688-0609 rllomas@rlomaspe.com		



Luis R. Lomas P.E.
TX No.: 101889