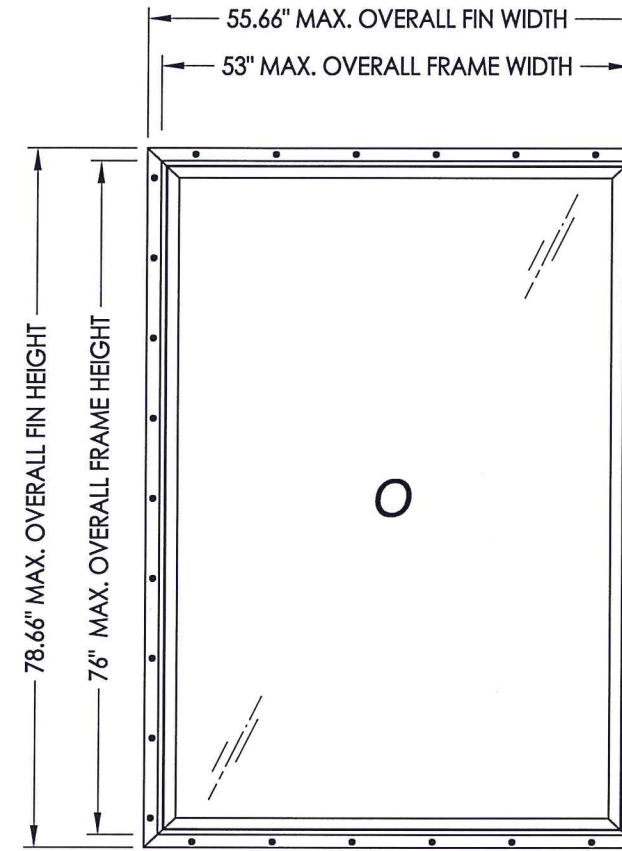


**MODEL 3104
PVC FIXED WINDOW
w/ NAILING FIN
"NON-IMPACT"**



VERTICAL ORIENTATION SHOWN
(Horizontal orientation optional)

EVALUATED FOR USE IN THE STATE OF TEXAS

TDI WIN-886

The Fixed Window described herein complies with the 2018 International Residential Code (IRC), Sections R301 & R609 and the 2018 International Building Code (IBC), Sections 1404.13, 1609, 1709.5, 2403 and 2404 subject to the following conditions:

1. Anchors shall be as listed and spaced as shown in the details. Anchor embedment to base material shall be beyond wall dressing or stucco.
2. When used in areas requiring wind-borne debris protection this product is required to be protected with an impact resistant covering that complies with Section R301.2.1.2 of the IRC and Section 1609.2 of the IBC.
3. Allowable design pressure requirements must be equal to or less than the design pressure rating shown in the design pressure chart, sheet 1 of this drawing.
4. Conditions not covered by this drawing are subject to further engineering analysis.

TABLE OF CONTENTS	
SHEET#	DESCRIPTION
1	Typical elevations, design pressures & general notes
2	Frame anchoring & cross sections
3	Bill of materials, glazing details and components

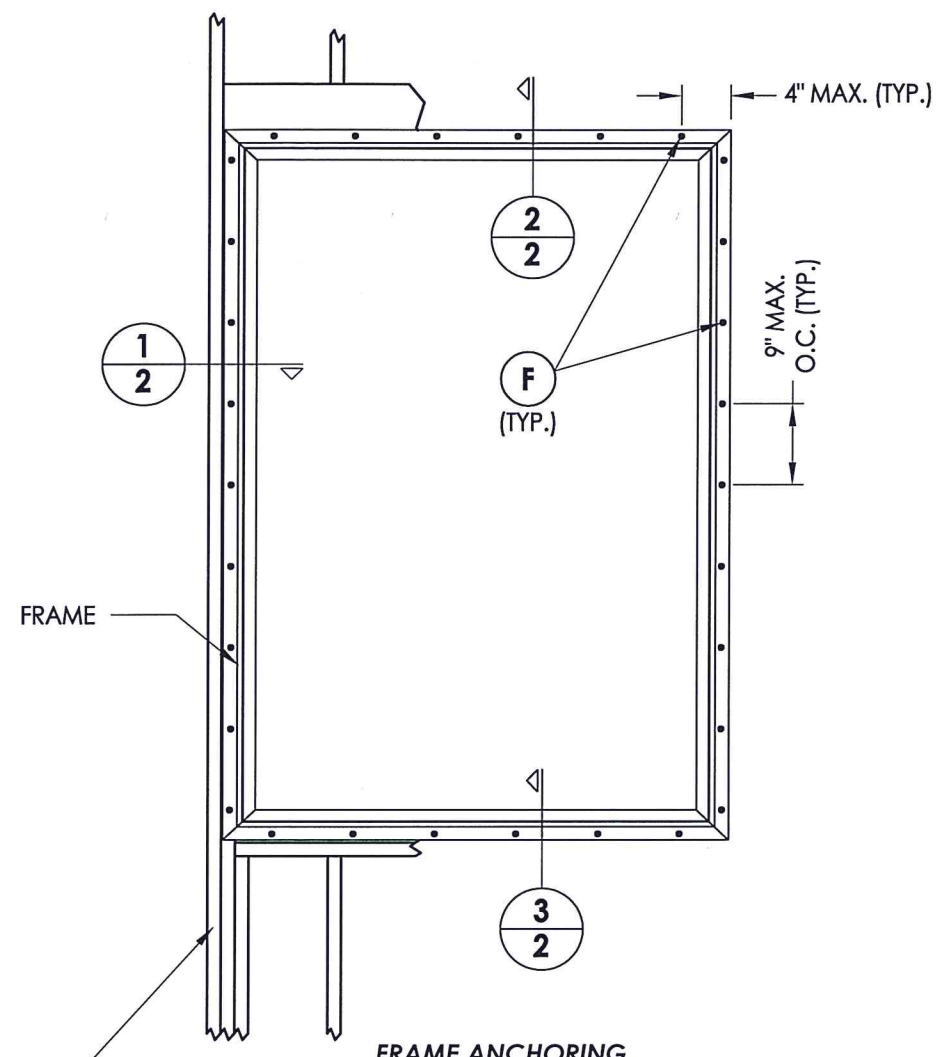
OVERALL FRAME DIMENSION	OVERALL DAY LIGHT DIMENSION	GLASS TYPE	DESIGN PRESSURE (PSF)	
			POS.	NEG.
53.0" x 76.0"	47.75" x 70.75"	G1	+50.0	-50.0



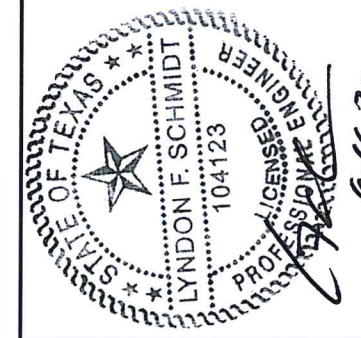
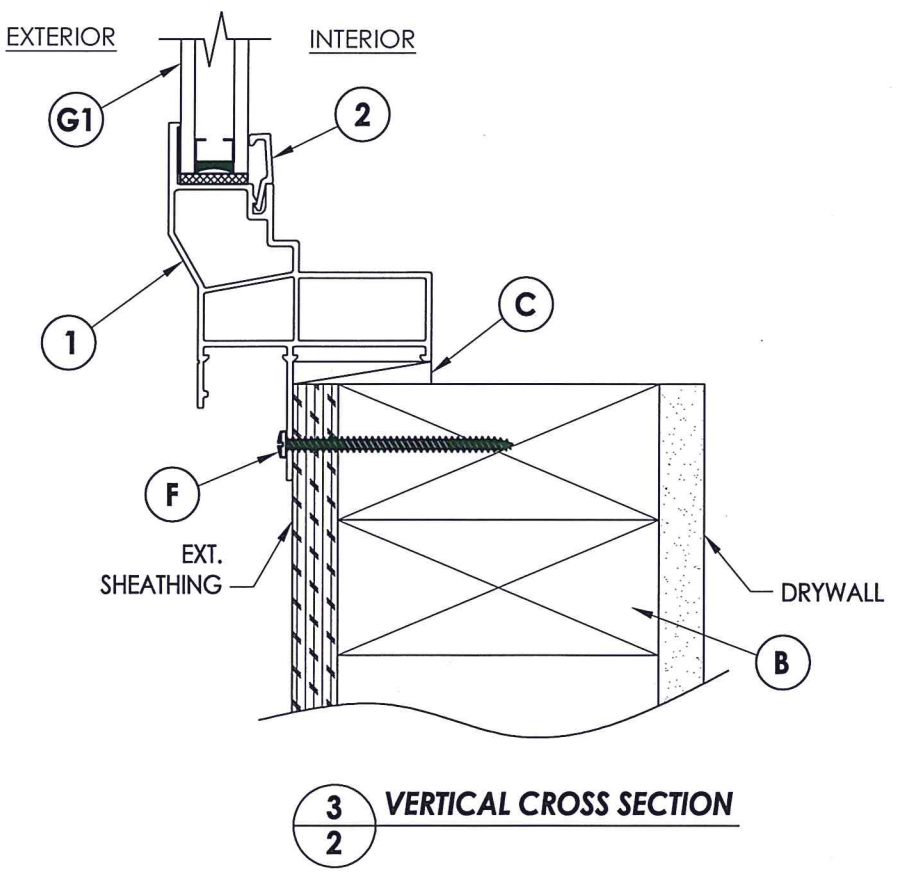
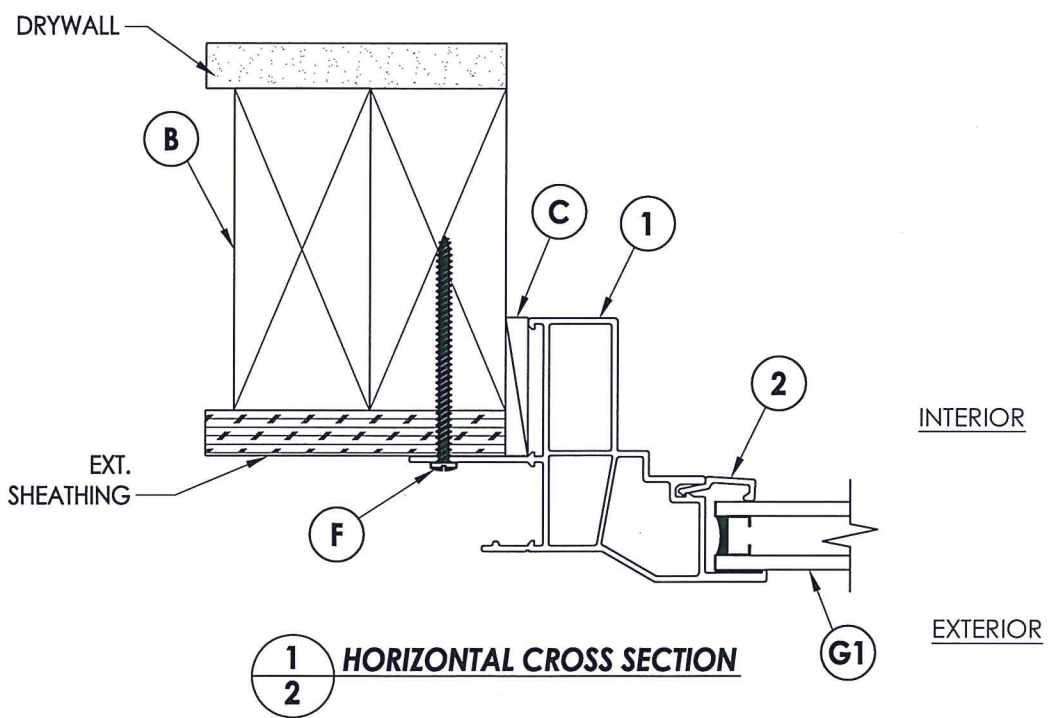
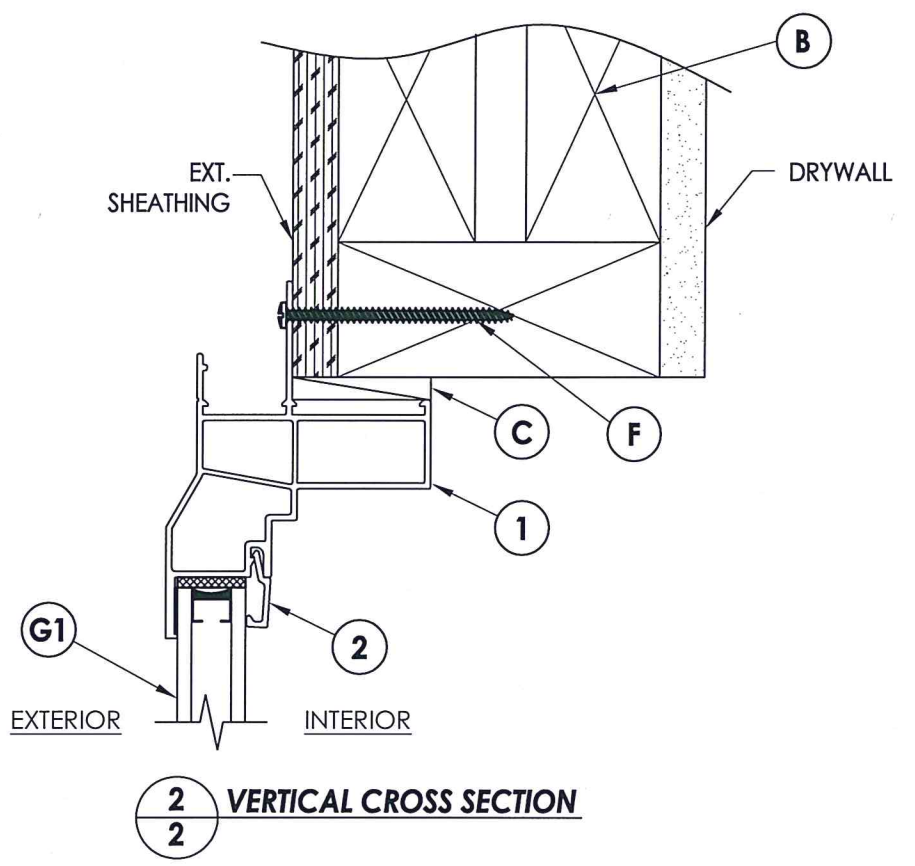
Documents Prepared By: Lyndon F. Schmidt, P.E.
TEXAS P.E. #104123
RW BUILDING CONSULTANTS, INC.
P.O. Box 230 Valrico FL 33595
Phone No.: 813.659.9197
TEXAS BOARD OF PROFESSIONAL ENGINEERS
CERTIFICATE OF REGISTRATION # F-11852

PRODUCT:	FIXED WINDOW
PART OR ASSEMBLY:	TYPICAL ELEVATION, DESIGN PRESSURES & GENERAL NOTES
DATE:	07/30/15
SCALE:	N.T.S.
DWG. BY:	JK
CHK. BY:	LFS
DRAWING NO.:	TX-4563
SHEET	1 OF 3

R:\Clients\Associated PERMANENT\B - Texas Dept of Ins\Fixed\WIN 886 Fixed Windows\C - Drawings\TX-4563.dwg, 2.2



FRAME ANCHORING
2X Stud Construction



Documents Prepared By: Lyndon F. Schmidt, P.E.
TEXAS P.E. #104123

RW BUILDING CONSULTANTS, INC.
P.O. Box 230 Valrico FL 33595
Phone No.: 813.659.9197

TEXAS BOARD OF PROFESSIONAL ENGINEERS
CERTIFICATE OF REGISTRATION # F-11852

PRODUCT: FIXED WINDOW

PART OR ASSEMBLY: FRAME ANCHORING & CROSS SECTIONS

NO.	DATE	REVISIONS	BY
1	6/16/20	UPDATE TO 2018 IBC/IRC AND	LFS

DATE: 07/30/15

SCALE: N.T.S.

DWG. BY: JK

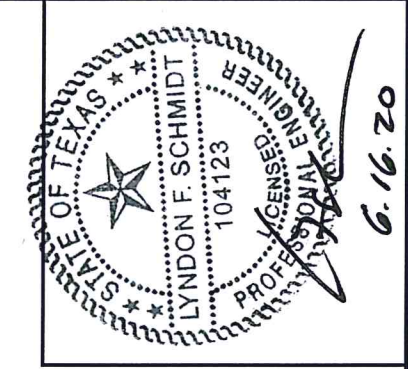
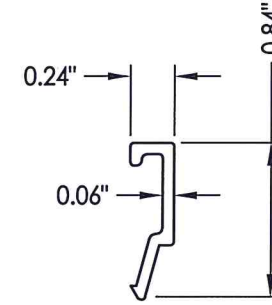
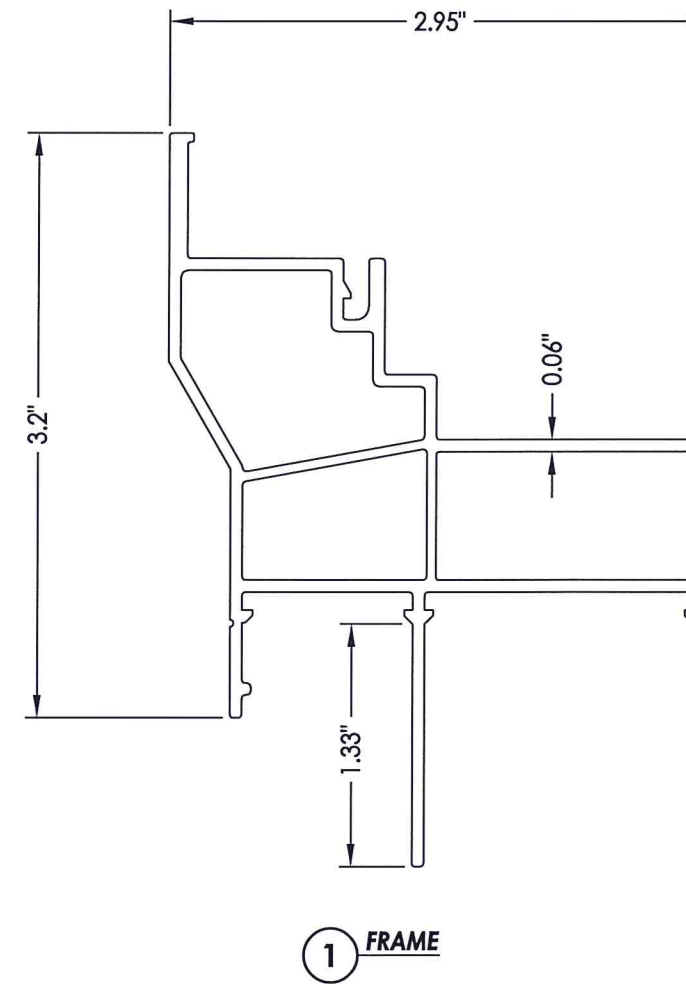
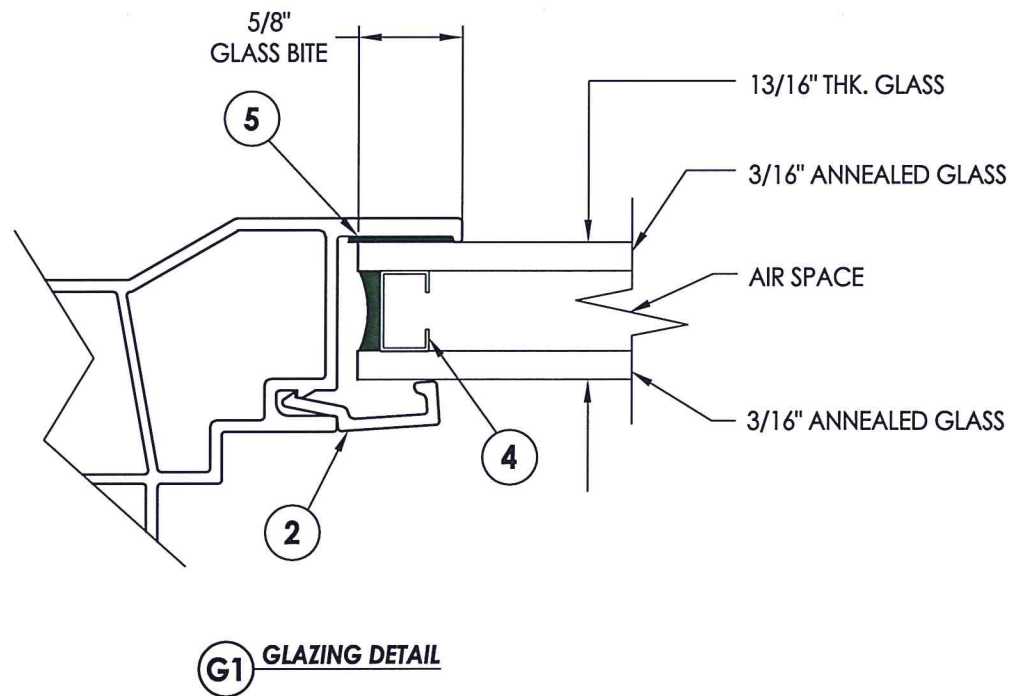
CHK. BY: LFS

DRAWING NO.: TX-4563

SHEET 2 OF 3

BILL OF MATERIALS		
ITEM #	DESCRIPTION	MATERIAL
B	2X FRAMING (SG >= 0.42)	WOOD
C	1/4" MAX. SHIM SPACE	-
F	#8 X 2-1/2" PPH SMS (1-3/4" MIN. EMBEDMENT)	STEEL
1	EXTRUDED VINYL FRAME *	RIGID PVC
2	EXTRUDED VINYL GLAZING BEAD *	RIGID PVC
3	GLASS SETTING BLOCK	-
4	GLAZING SPACER	STEEL
5	GLAZING SEALANT	SILICONE
6	SCREW HOLE COVER CAP	PVC

* THE APPROVED WHITE RIGID PVC EXTERIOR EXTRUSIONS FOR WINDOWS ARE TO BE PRODUCED BY EXTRUDERS LICENSEES IN "AAMA CERTIFICATION PROGRAMS FOR RIGID PVC EXTRUSIONS".



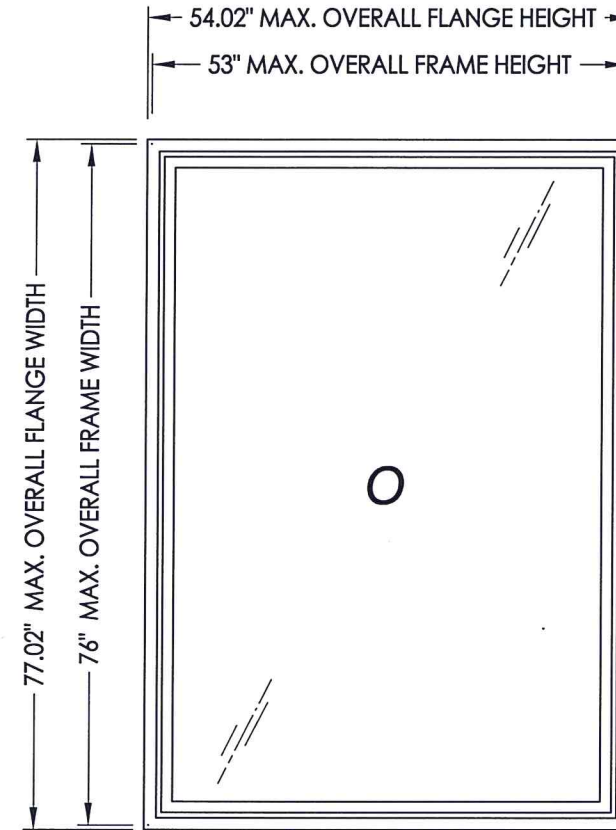
Documents Prepared By: Lyndon F. Schmidt, P.E.
TEXAS P.E. #104123

RW BUILDING CONSULTANTS, INC.
P.O. Box 230 Valrico FL 33595
Phone No.: 813.659.9197

TEXAS BOARD OF PROFESSIONAL ENGINEERS
CERTIFICATE OF REGISTRATION # F-11852

PRODUCT:		FIXED WINDOW	
PART OR ASSEMBLY:		BILL OF MATERIALS, GLAZING DETAILS & COMPONENTS	
NO.	DATE	BY	REVISIONS
1	6/16/20	LFS	UPDATE TO 2018 IBC/IRC AND
DATE: 07/30/15			
SCALE: N.T.S.			
DWG. BY: JK			
CHK. BY: LFS			
DRAWING NO.: TX-4563			
SHEET 3 OF 3			

MODEL 3104
PVC FIXED WINDOW
"NON-IMPACT"



VERTICAL ORIENTATION SHOWN
(Horizontal orientation optional)

EVALUATED FOR USE IN THE STATE OF TEXAS

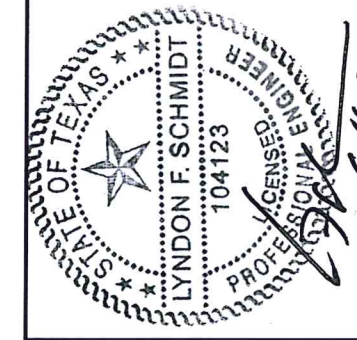
TDI WIN-886

The Fixed Window described herein complies with the 2018 International Residential Code (IRC), Sections R301 & R609 and the 2018 International Building Code (IBC), Sections 1404.13, 1609, 1709.5, 2403 and 2404 subject to the following conditions:

1. Anchors shall be as listed and spaced as shown in the details. Anchor embedment to base material shall be beyond wall dressing or stucco.
2. When used in areas requiring wind-borne debris protection this product is required to be protected with an impact resistant covering that complies with Section R301.2.1.2 of the IRC and Section 1609.2 of the IBC.
3. Allowable design pressure requirements must be equal to or less than the design pressure rating shown in the design pressure chart, sheet 1 of this drawing.
4. Conditions not covered by this drawing are subject to further engineering analysis.

TABLE OF CONTENTS	
SHEET#	DESCRIPTION
1	Typical elevations, design pressures & general notes
2	Frame anchoring & cross sections
3	Bill of materials , glazing details and components

OVERALL FRAME DIMENSION	OVERALL DAY LIGHT DIMENSION	GLASS TYPE	DESIGN PRESSURE (PSF)	
			POS.	NEG.
53.0" x 76.0"	47.75" x 70.75"	G1	+50.0	-50.0



Documents Prepared By: Lyndon F. Schmidt, P.E.
TEXAS P.E. #104123

RW BUILDING CONSULTANTS, INC.
P.O. Box 230 Valrico FL 33595
Phone No.: 813.659.9197

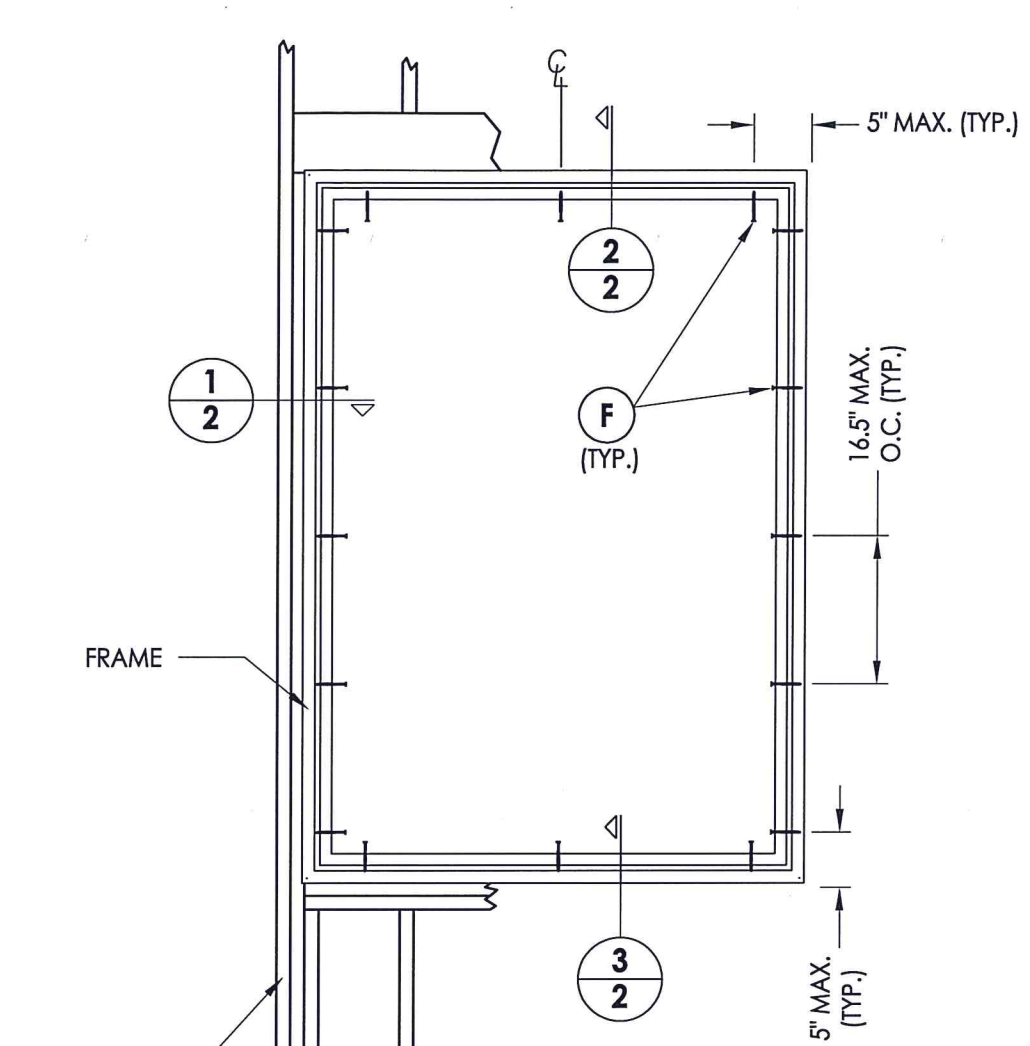
TEXAS BOARD OF PROFESSIONAL ENGINEERS
CERTIFICATE OF REGISTRATION # F-11852

PRODUCT: FIXED WINDOW

PART OR ASSEMBLY: TYPICAL ELEVATION, DESIGN PRESSURES & GENERAL NOTES

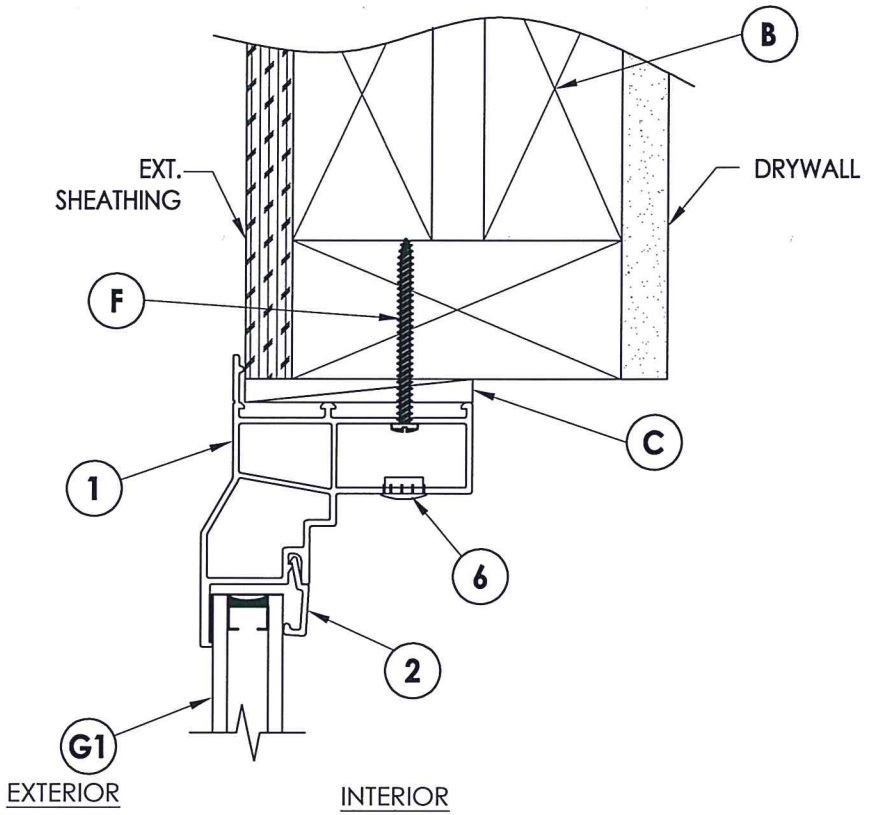
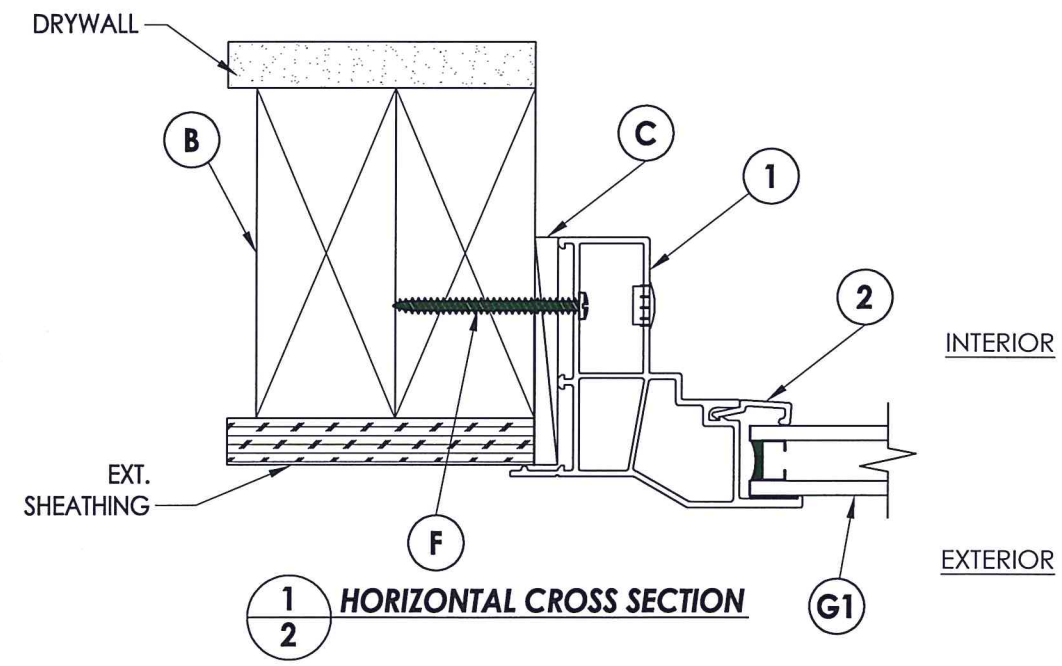
NO.	DATE	REVISIONS
2	6/16/20	UPDATE TO 2018 IBC/IRC AND REVISE FOR NEW TESTING
1	07/30/15	

DATE: 11/26/13
SCALE: N.T.S.
DWG. BY: JK
CHK. BY: LFS
DRAWING NO.: TX-4410
SHEET 1 OF 3

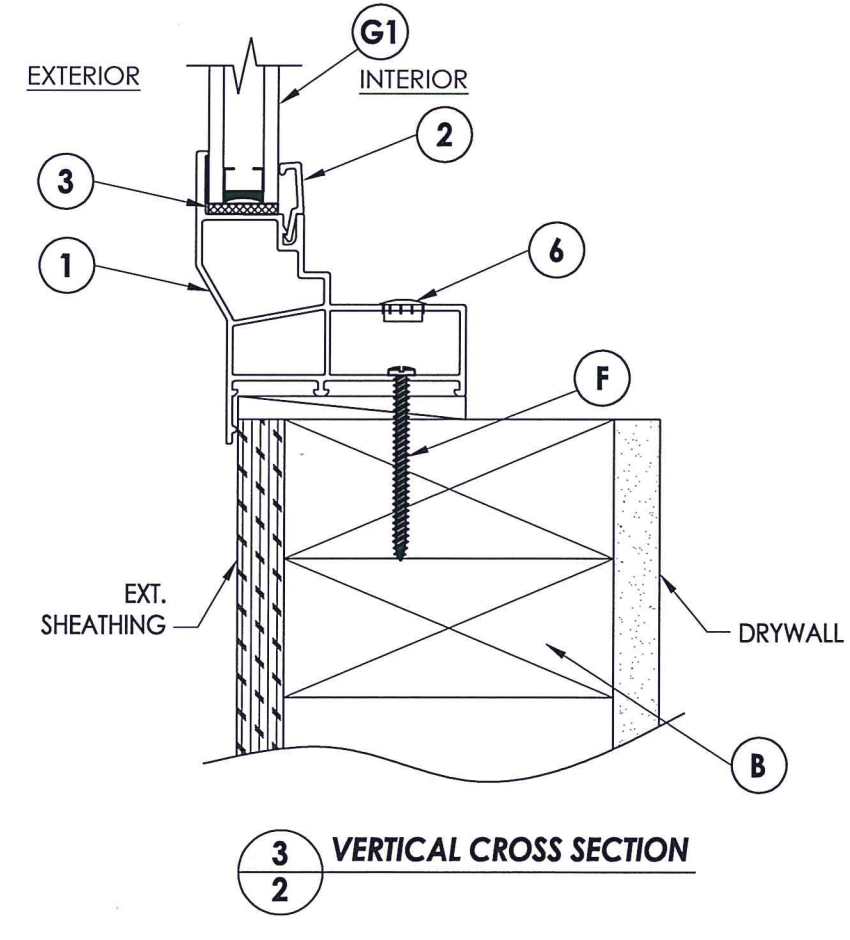


2x framing to be designed by the engineer or architect of record

FRAME ANCHORING
2X Stud Construction



2/2 VERTICAL CROSS SECTION



3/2 VERTICAL CROSS SECTION



Documents Prepared By: Lyndon F. Schmidt, P.E.
TEXAS P.E. #104123

RW BUILDING CONSULTANTS, INC.
P.O. Box 230 Valrico FL 33595
Phone No.: 813.659.9197

TEXAS BOARD OF PROFESSIONAL ENGINEERS
CERTIFICATE OF REGISTRATION # F-11852

PRODUCT: FIXED WINDOW

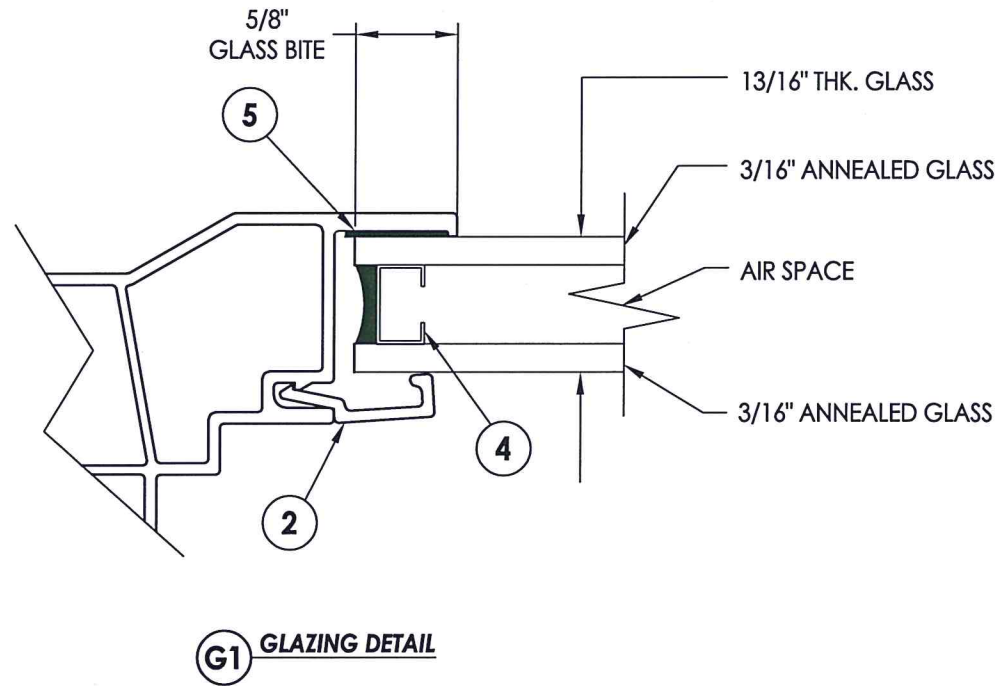
PART OR ASSEMBLY: FRAME ANCHORING & CROSS SECTIONS

NO.	DATE	REVISIONS	BY
2	6/16/20	UPDATE TO 2018 IBC/IRC AND	LFS
1	07/30/15	REVISE FOR NEW TESTING	LFS

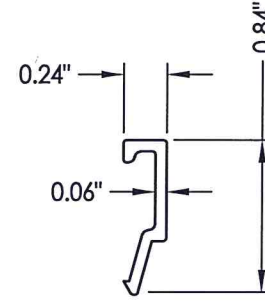
DATE: 11/26/13
SCALE: N.T.S.
DWG. BY: JK
CHK. BY: LFS
DRAWING NO.: TX-4410
SHEET 2 OF 3

BILL OF MATERIALS		
ITEM #	DESCRIPTION	MATERIAL
B	2X FRAMING (SG >= 0.42)	WOOD
C	1/4" MAX. SHIM SPACE	-
F	#8 X 2" PPH SMS (1-1/2" MIN. EMBEDMENT)	STEEL
1	EXTRUDED VINYL FRAME *	RIGID PVC
2	EXTRUDED VINYL GLAZING BEAD *	RIGID PVC
3	GLASS SETTING BLOCK	-
4	GLAZING SPACER	STEEL
5	GLAZING SEALANT	SILICONE
6	SCREW HOLE COVER CAP	PVC

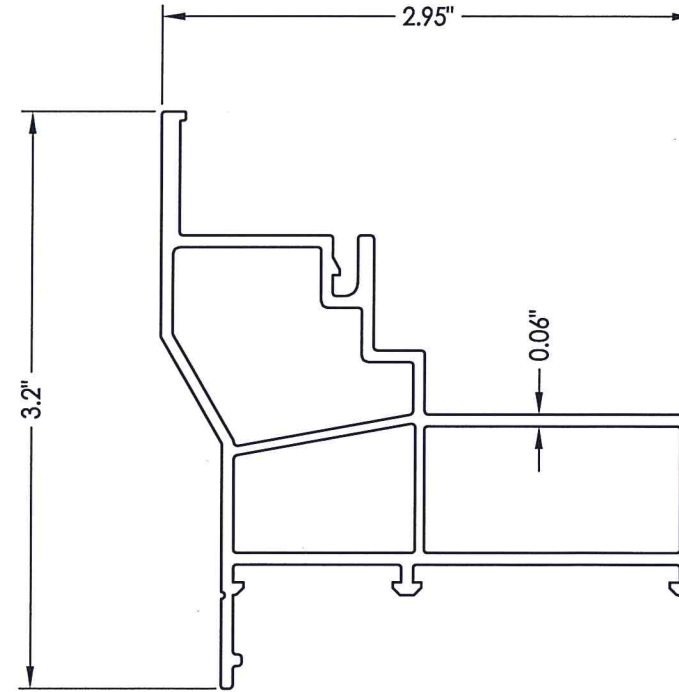
* THE APPROVED WHITE RIGID PVC EXTERIOR EXTRUSIONS FOR WINDOWS ARE TO BE PRODUCED BY EXTRUDERS LICENSEES IN "AAMA CERTIFICATION PROGRAMS FOR RIGID PVC EXTRUSIONS".



G1 GLAZING DETAIL



2 GLAZING BEAD



1 FRAME



Documents Prepared By: Lyndon F. Schmidt, P.E.
TEXAS P.E. #104123

RW BUILDING CONSULTANTS, INC.
P.O. Box 230 Vairico FL 33595
Phone No.: 813.659.9197

TEXAS BOARD OF PROFESSIONAL ENGINEERS
CERTIFICATE OF REGISTRATION # F-11852

PRODUCT:	FIXED WINDOW	
PART OR ASSEMBLY:	BILL OF MATERIALS, GLAZING DETAILS & COMPONENTS	
NO.	DATE	REVISIONS
2	6/16/20	UPDATE TO 2018 IBC/IRC AND
1	07/30/15	REVISE FOR NEW TESTING
LFS		BY
DATE: 11/26/13		
SCALE: N.T.S.		
DWG. BY: JK		
CHK. BY: LFS		
DRAWING NO.: TX-4410		
SHEET 3 OF 3		