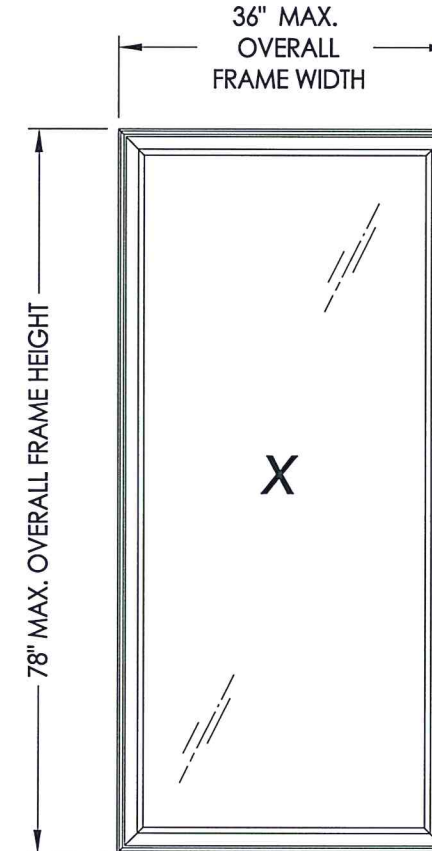


MODEL "i" 971
PVC CASEMENT WINDOW
"NON-IMPACT"



OVERALL FRAME DIMENSION	OVERALL DAY LIGHT DIMENSION	GLASS TYPE	DESIGN PRESSURE (PSF)	
			POS.	NEG.
36.0" x 78.0"	30.31" x 72.31"	G1	+55.0	-55.0

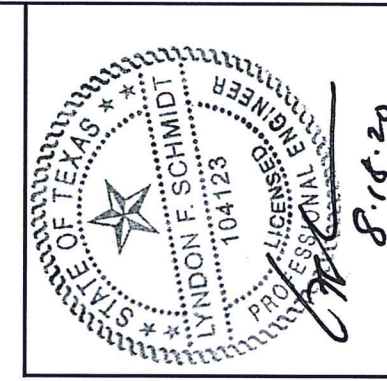
EVALUATED FOR USE IN THE STATE OF TEXAS

TDI WIN-885

The Casement Window described herein complies with the 2018 International Residential Code (IRC), Sections R301 & R609 and the 2018 International Building Code (IBC), Sections 1404.13, 1609, 1709.5, 2403 and 2404 subject to the following conditions:

1. Anchors shall be as listed and spaced as shown in the details. Anchor embedment to base material shall be beyond wall dressing or stucco.
2. When used in areas requiring wind-borne debris protection this product is required to be protected with an impact resistant covering that complies with Section R301.2.1.2 of the IRC and Section 1609.2 of the IBC.
3. Allowable design pressure requirements must be equal to or less than the design pressure rating shown in the design pressure chart, sheet 1 of this drawing.
4. Conditions not covered by this drawing are subject to further engineering analysis.

TABLE OF CONTENTS	
SHEET#	DESCRIPTION
1	Typical elevations, design pressures & general notes
2	Frame anchoring & cross sections
3	Bill of materials, glazing details and components



Documents Prepared By: Lyndon F. Schmidt, P.E.
TEXAS P.E. #104123

RW BUILDING CONSULTANTS, INC.
P.O. Box 230 Valrico FL 33595
Phone No.: 813.659.9197

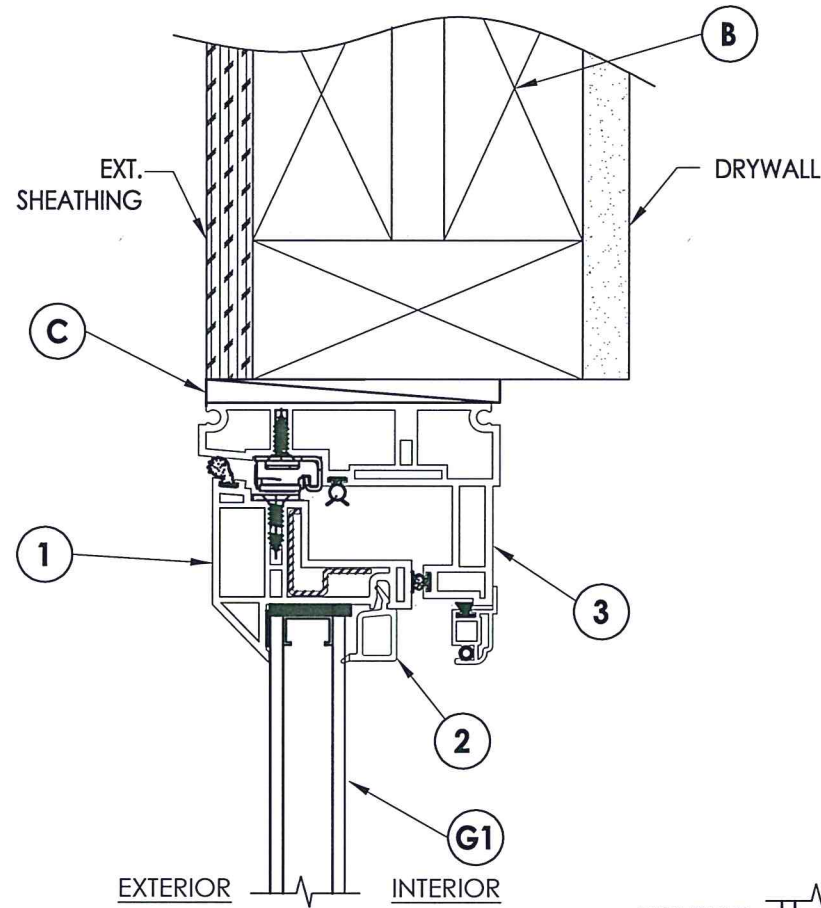
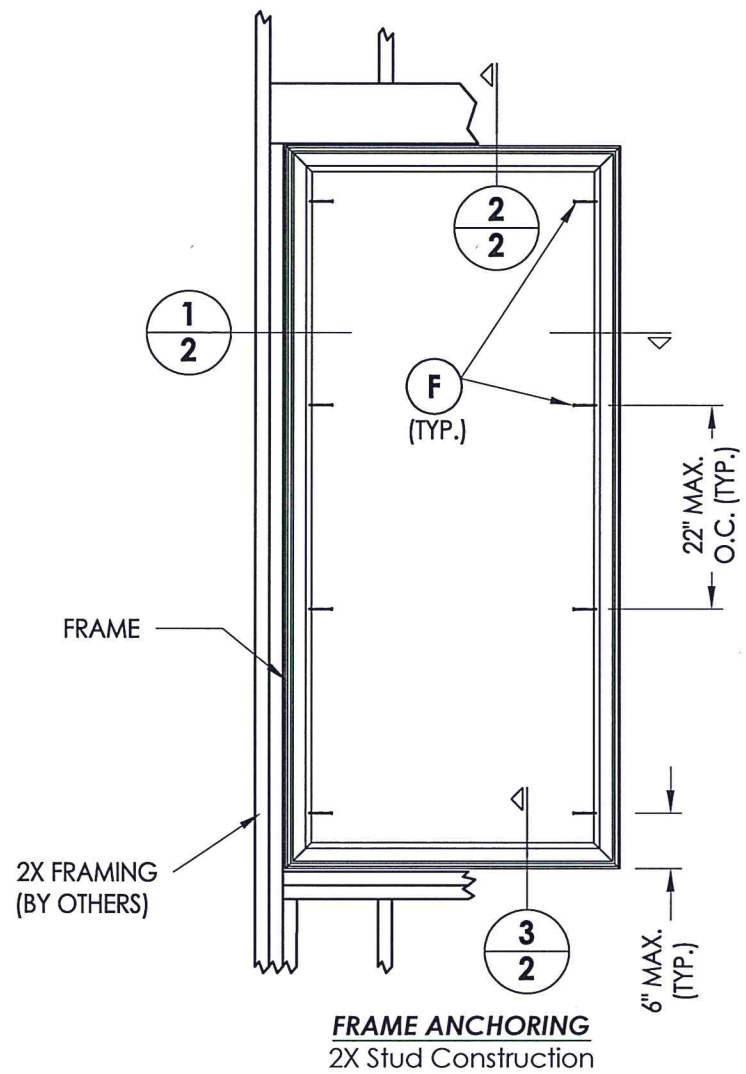
TEXAS BOARD OF PROFESSIONAL ENGINEERS
CERTIFICATE OF REGISTRATION # F-11852

PRODUCT: FIXED WINDOW

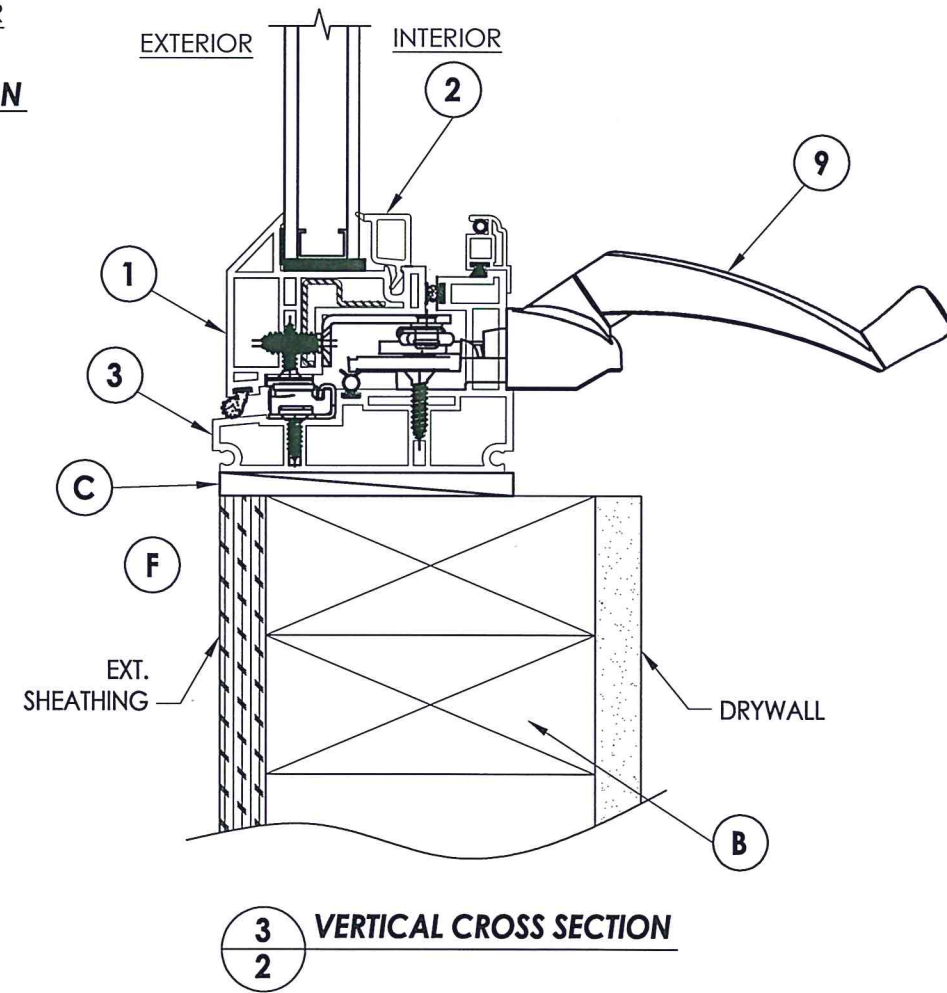
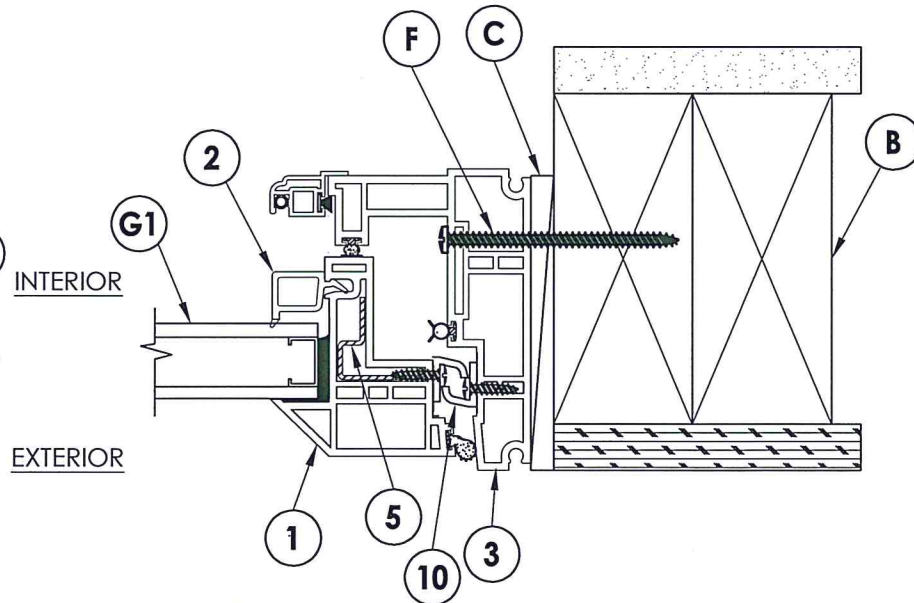
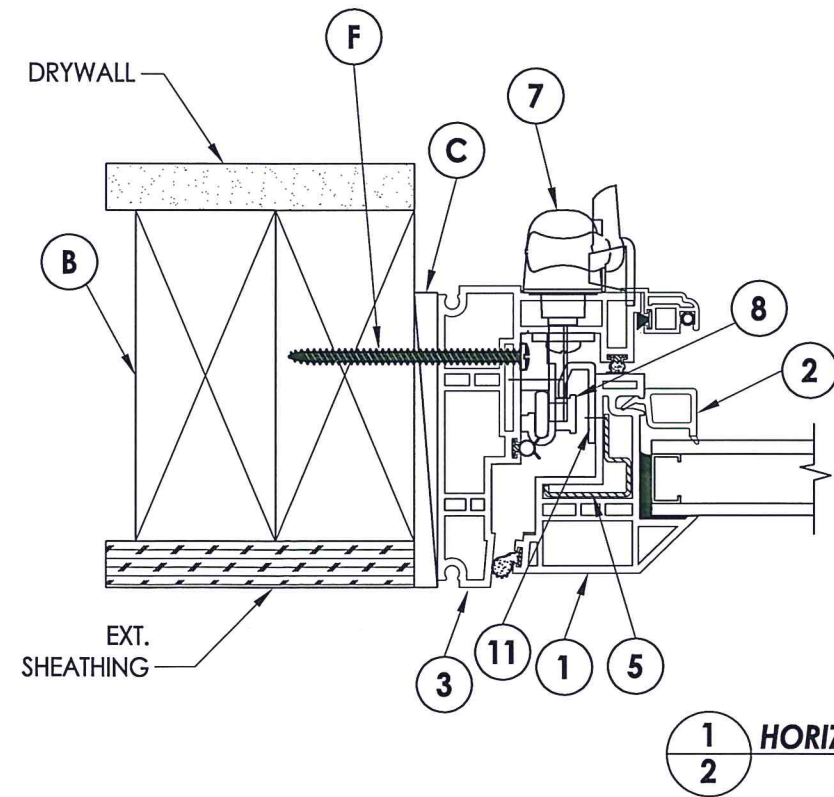
PART OR ASSEMBLY:
TYPICAL ELEVATION, DESIGN
PRESSURES & GENERAL NOTES

NO.	DATE	DESCRIPTION	BY
1	7/15/20	UPDATE TO 2018 IBC/IRC	LFS
REVISIONS			

DATE: 11/27/13
SCALE: N.T.S.
DWG. BY: JK
CHK. BY: LFS
DRAWING NO.: TX-4412
SHEET 1 OF 3



HARDWARE NOTES:
 1. Keepers (4) are located 3-1/2", 25", 46-1/2" & 68-1/2" from the bottom of the frame.
 2. Snubbers are located @ 15", 31", 47" & 63" from the bottom of the frame.



Documents Prepared By: Lyndon F. Schmidt, P.E.
 TEXAS P.E. #104123

RW BUILDING CONSULTANTS, INC.
 P.O. Box 230 Valrico FL, 33595
 Phone No.: 813.659.9197

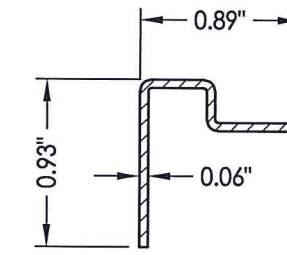
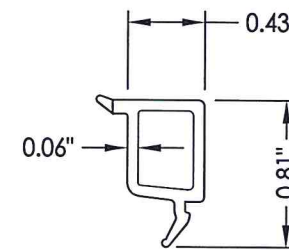
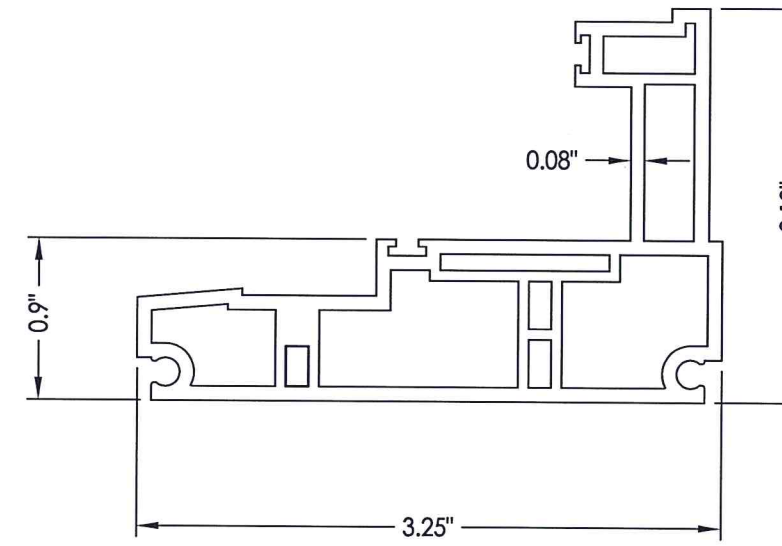
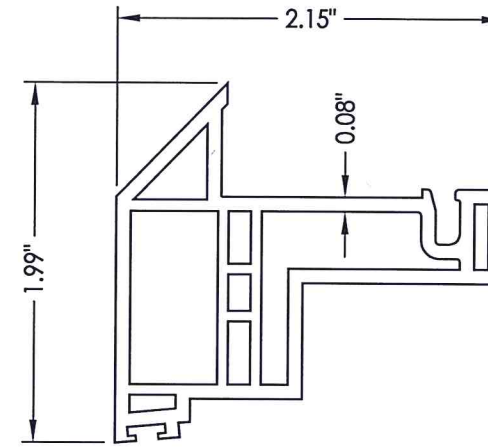
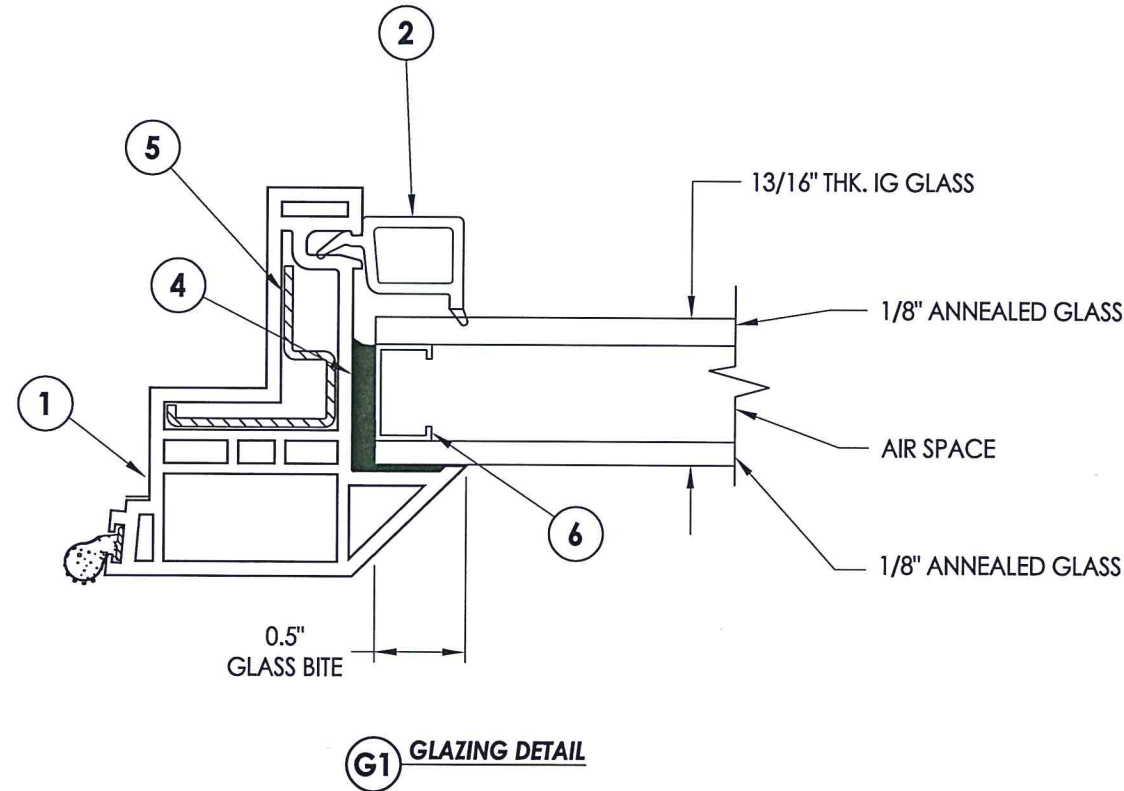
TEXAS BOARD OF PROFESSIONAL ENGINEERS
 CERTIFICATE OF REGISTRATION # F-11852

PRODUCT:	FIXED WINDOW	
PART OR ASSEMBLY:	FRAME ANCHORING & CROSS SECTIONS	
NO.	DATE	REVISIONS
1	7/15/20	UPDATE TO 2018 IBC/IRC
		LFS
		BY
DATE:	11/27/13	
SCALE:	N.T.S.	
DWG. BY:	JK	
CHK. BY:	LFS	
DRAWING NO.:	TX-4412	
SHEET	2	OF 3

BILL OF MATERIALS

ITEM #	DESCRIPTION	MATERIAL
B	2X FRAMING (SG >= 0.42)	WOOD
C	1/4" MAX. SHIM SPACE	-
F	#8 X 2-1/2" PPH SMS (1-5/16" MIN. EMBEDMENT)	STEEL
1	EXTRUDED VINYL SASH FRAME *	RIGID PVC
2	EXTRUDED VINYL GLAZING BEAD *	RIGID PVC
3	EXTRUDED VINYL MAIN FRAME *	RIGID PVC
4	HOT MELT BUTYL	SILICONE
5	SASH REINFORCEMENT (3205)	STEEL
6	STEEL INTERCEPT SPACER	STEEL
7	LOCK HANDLE w/ GASKET (TRUTH)	-
8	TIE BAR (TRUTH) & GUIDE w/ #8 X 1" PPH SMS	STEEL
9	OPERATOR HANDLE (TRUTH)	-
10	SNUBBER (ASHLAND) w/ #8 X 1/2" PPH SMS	STEEL
11	KEEPER	-

* THE APPROVED WHITE RIGID PVC EXTERIOR EXTRUSIONS FOR WINDOWS ARE TO BE PRODUCED BY EXTRUDERS LICENSEES IN "AAMA CERTIFICATION PROGRAMS FOR RIGID PVC EXTRUSIONS".



Documents Prepared By: Lyndon F. Schmidt, P.E.
TEXAS P.E. #104123

RW BUILDING CONSULTANTS, INC.
P.O. Box 230 Valrico FL 33595
Phone No.: 813.659.9197

TEXAS BOARD OF PROFESSIONAL ENGINEERS
CERTIFICATE OF REGISTRATION # F-11852

PRODUCT: FIXED WINDOW
PART OR ASSEMBLY: BILL OF MATERIALS, GLAZING DETAILS & COMPONENTS

NO.	DATE	REVISIONS
1	7/15/20	UPDATE TO 2018 IBC/IRC
LFS		
BY		

DATE: 11/27/13
SCALE: N.T.S.
DWG. BY: JK
CHK. BY: LFS
DRAWING NO.: TX-4412
SHEET 3 OF 3