

GENERAL NOTES:

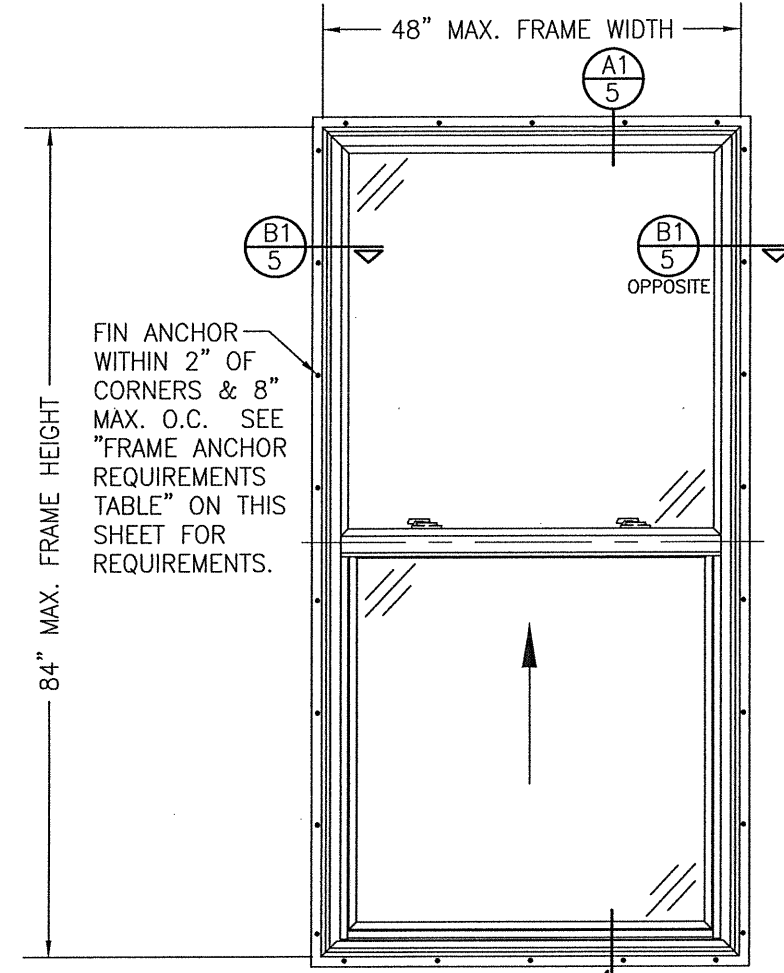
- ALL FASTENERS SHALL BE IN ACCORDANCE WITH THESE DRAWINGS. SPECIFIED ANCHOR EMBED TO BASE MATERIAL SHALL BE BEYOND WALL FINISH OR STUCCO.
- OPENINGS, BUCKING & BUCKING FASTENERS MUST BE PROPERLY DESIGNED & INSTALLED TO TRANSFER WIND LOADS TO THE STRUCTURE.
- THESE NON-IMPACT RATED PRODUCT INSTALLATIONS ARE IN ACCORDANCE WITH AND MEET THE REQUIREMENTS OF THE 2018 INTERNATIONAL BUILDING CODE (IBC).
- ALL ANCHORS SECURING PRODUCT FRAME TO PRESSURE TREATED BUCKS OR WOOD FRAMING SHALL BE CAPABLE OF RESISTING CORROSION CAUSED BY THE PRESSURE TREATING CHEMICALS IN THE WOOD.
- TO THE BEST OF OUR KNOWLEDGE, THE PRODUCT SHOWN HEREIN IS CERTIFIED & QUALITY ASSURED BY A NATIONALLY ACCREDITED CERTIFICATION/QA ENTITY & SHALL BE LABELED IN ACCORDANCE WITH CERTIFICATION/QA ENTITIES SPECIFICATIONS. PRODUCT ASSEMBLY IS NOT PART OF THIS DRAWING AND SHALL BE IN ACCORDANCE WITH THE MANUFACTURER'S QUALITY ASSURANCE SPECIFICATIONS & TESTING REPORTS.
- CERTIFICATION OF THESE PRODUCT INSTALLATIONS SHALL BE CONSIDERED VOID IF ANY OF THE FOLLOWING APPLY: 1) THEY ARE INSTALLED WITHOUT A BUILDING PERMIT FROM THE APPLICABLE LOCAL BUILDING DEPARTMENT. 2) IF THEY ARE INSTALLED BY ANYONE OTHER THAN A LICENSED CONTRACTOR EXPERIENCED WITH WINDOW/DOOR INSTALLATIONS. 3) IF CHANGES HAVE OCCURRED TO THE PRODUCT'S CERTIFICATION ENTITY'S CERTIFICATE THAT CAUSE THESE INSTALLATIONS TO BE INCORRECT OR INCONSISTENT WITH WHAT HAS BEEN TESTED.
- THE LEAST DESIGN PRESSURE SPECIFIED EITHER IN THIS DRAWING OR IN THE PRODUCTS CERTIFICATION SHALL CONTROL FOR THE INSTALLED PRODUCT.
- THESE DRAWINGS CERTIFY THE PRODUCT INSTALLATION ONLY. WATER PROOFING OF THE INSTALLED PRODUCT IS NOT PART OF THIS INSTALLATION CERTIFICATION. THAT RESPONSIBILITY SHALL BE THAT OF THE MANUFACTURER &/OR INSTALLER.

INSTALLATION EVALUATION IS BASED ON APPLICABLE ANCHOR STANDARDS AND/OR INFORMATION & RESULTS FROM APPLICABLE TEST REPORTS. THE BUILDING CODE VERSION CONSIDERED WITH THE EVALUATION WAS THAT IN FORCE AT THE TIME OF THE EVALUATION. IN THE EVENT OF CODE VERSION CHANGES/UPDATES OR IN THE EVENT THAT NEW OR ADDITIONAL TESTING IS COMPLETED ON THE REFERENCED PRODUCT, PRIOR TO STATING CODE COMPLIANCE, THE MANUFACTURER SHALL CONFIRM WITH THE INSTALLATION EVALUATION ENGINEER OF RECORD THAT THE INSTALLATIONS SPECIFIED HERE-IN ARE CURRENT WITH THE THEN CURRENT TESTING, CODE AND APPLICABLE STANDARDS.

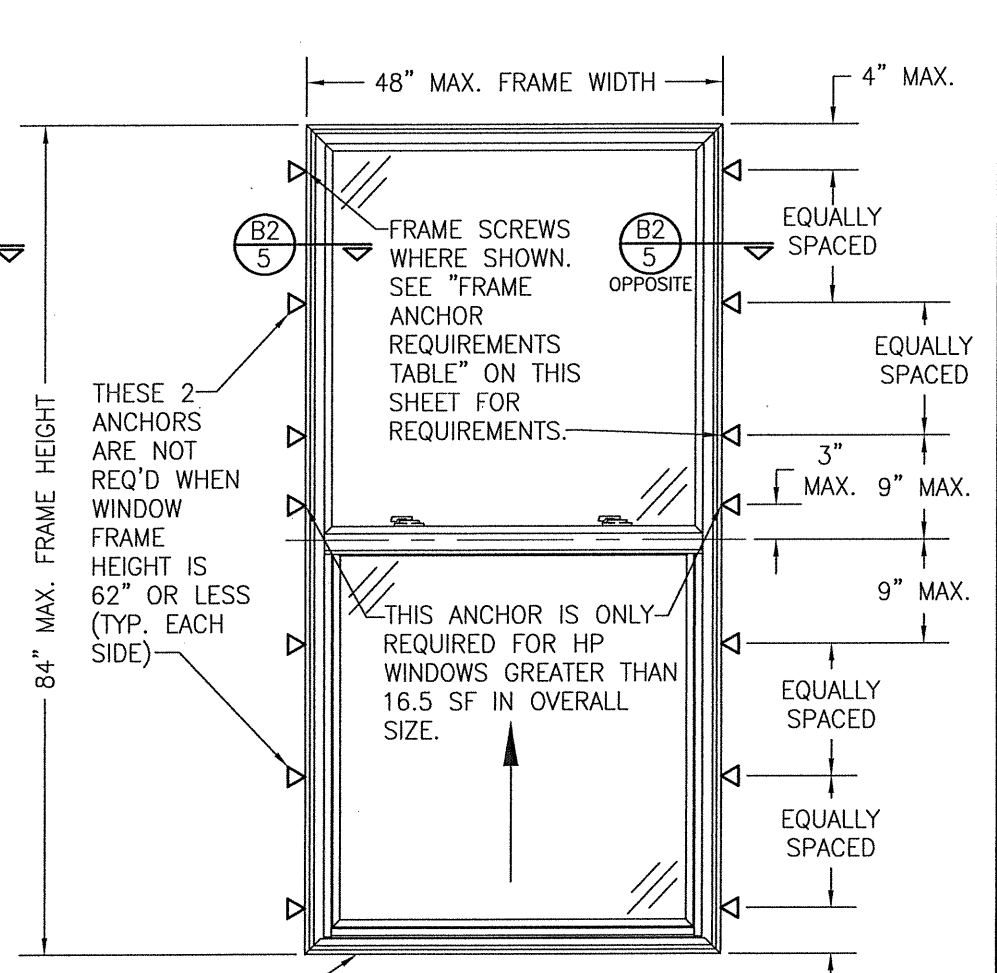
ANCHOR/SUBSTRATE EVALUATION NOTE:
ALL ANCHORS IN THEIR SPECIFIED SUBSTRATES HAVE BEEN ANALYZED IN ACCORDANCE WITH THEIR APPLICABLE STANDARD(S) AND ARE FOUND TO BE CAPABLE OF SUPPORTING ALL LOADS IMPOSED ON THEM UNDER THE GUIDELINES OF THIS DOCUMENT. ANY SUBSTRATES OR CONDITIONS OUTSIDE OF WHAT IS SHOWN HERE-IN SHALL BE SUBJECT TO JOB SPECIFIC ENGINEER'S REVIEW & CERTIFICATION.

THESE DRAWINGS ARE APPLICABLE ONLY TO THE PRODUCT SPECIFIED. THEY MAY NOT BE USED FOR THE ASSEMBLY AND/OR INSTALLATION OF ANY OTHER PRODUCT NOR MAY THEY BE USED FOR RATIONAL AND/OR LOCAL APPROVAL OF ANY PRODUCT NOT PRODUCED BY THE MANUFACTURER STATED ON THESE DRAWINGS.

DRAWN BY: W.W.S.	CHECKED BY: W.W.S.
PLOT: 1=16	DATE: 01/30/20



**EXTERIOR ELEVATION:
SINGLE WINDOW
(FIN INSTALLED SERIES 10)**
SCALE: 3/4" = 1'-0"



**EXTERIOR ELEVATION:
SINGLE WINDOW
(FRAME SCREW INSTALLED SERIES 20)**
SCALE: 3/4" = 1'-0"

FRAME ANCHOR REQUIREMENTS TABLE			
OPENING TYPE (SUBSTRATE)	FRAME/CLIP/NAIL FIN TO OPENING FASTENER TYPE	MINIMUM EMBED	MINIMUM EDGE DIST.
(1) FRAME SCREWS (SERIES 20)			
MIN. 2X4 WOOD FRAME OR BUCK (MIN. GR. 3 & G=0.55)	NO. 10 SMS OR WOOD SCREW	1 1/4"	3/4"
MIN. 18 GA. 33 KSI METAL STUD	NO. 10 GR. 5 SELF TAP/DRILL SCREW	FULL	1/2"
MIN. 1/8" THK A36 STEEL	NO. 10 GR. 5 SELF TAP/DRILL SCREW	FULL	1/2"
MIN. 1/8" THK 6063-T5 ALUM.	NO. 10 GR. 5 SELF TAP/DRILL SCREW	FULL	1/2"
C-90 CMU/2500 PSI CONCRETE	(2) 1/4" CONCRETE SCREW	1 1/4"	2"
(1) INSTALLATION CLIP SCREWS (SERIES 20)			
MIN. 2X4 WOOD FRAME OR BUCK (MIN. GR. 3 & G=0.55)	NO. 10 SMS OR WOOD SCREW	1 1/4"	3/4"
MIN. 18 GA. 33 KSI METAL STUD	NO. 10 GR. 5 SELF TAP/DRILL SCREW	FULL	1/2"
MIN. 1/8" THK A36 STEEL	NO. 10 GR. 5 SELF TAP/DRILL SCREW	FULL	1/2"
MIN. 1/8" THK 6063-T5 ALUM.	NO. 10 GR. 5 SELF TAP/DRILL SCREW	FULL	1/2"
C-90 CMU/2500 PSI CONCRETE	(2) 1/4" CONCRETE SCREW	1 1/4"	
NAILING FIN FASTENERS (SERIES 10)			
MIN. 2X4 WOOD FRAME OR BUCK (MIN. GR. 3 & G=0.55)	(3) NO. 8 X 1 1/2" SMS	1 3/8"	1/2"
MIN. 2X4 WOOD FRAME OR BUCK (MIN. GR. 3 & G=0.55)	(4) 2" X 11 GA. ROOFING NAIL	1 7/8"	1/2"
MIN. 1/8" THK A36 STEEL	(3) NO. 8 GR. 5 SELF TAP/DRILL SCREW	FULL	1/2"
MIN. 1/8" THK 6063-T5 ALUM.	(3) NO. 8 GR. 5 SELF TAP/DRILL SCREW	FULL	1/2"

- FRAME SCREWS SHALL BE PAN HEAD OR HEX HEAD SCREW
- CONCRETE SCREWS SHALL BE ELCO ULTRACONS, ELCO CRETE-FLEX, ITW RAMSET/RED HEAD TAPCONS OR HILTI KWIK-CON II (HARDENED STEEL OR S.S.).
- WHEN SCREWS ARE USED WITH THE NAIL FIN, THEY MUST BE A WAFFLE HEAD SCREW OR HAVE A FLAT WASHER AT THE SCREW HEAD.
- ROOFING NAILS ARE ONLY APPLICABLE WITH STANDARD PERFORMANCE WINDOWS (N/A WITH HIGH PERFORMANCE WINDOWS)

ALLOWABLE DESIGN PRESSURE (SINGLE WINDOW)					
WINDOW SIZE		STILE REINFORCEMENT	FIXED SASH MEETING RAIL REINFORCEMENT	ACTIVE SASH MEETING RAIL REINFORCEMENT	ALLOWABLE PRESSURE (POSITIVE & NEGATIVE) (PSF)
MAX. FRAME WIDTH (IN.)	MAX. FRAME HEIGHT (IN.)				
(2) 36	59.5	NO	NO	YES	35
(2) 36	72	YES	NO	YES	35
(2) 42	72	YES	YES	YES	50
(2) 48	59.5	NO	YES	YES	35
(2) 48	72	YES	YES	YES	35
(1) 48	84	YES	YES	YES	35

- WINDOW HAS A MAXIMUM 35" TALL BOTTOM VENT.
- WINDOW HAS EQUAL TOP & BOTTOM VENTS.

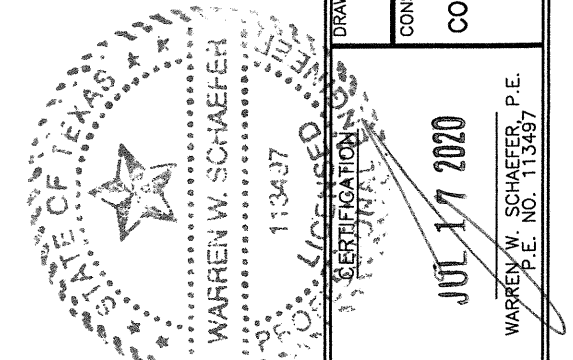
PRESSURE SHOWN IN THIS TABLE IS FOR INSTALLATION CONDITIONS ONLY. THE GOVERNING DESIGN PRESSURE ON THE WINDOWS SHALL BE THE LESSER OF THAT SHOWN IN THE INDIVIDUAL WINDOW'S APPROVAL OR THAT SHOWN IN THIS TABLE.

CONDITIONS SHOWN IN THESE DRAWINGS ARE GOVERNED BY INSTALLATION REQUIREMENTS ONLY. THE GOVERNING CONDITIONS ON ANY SPECIFIC PRODUCT SHALL BE THE LESSER OF THOSE SPECIFIED IN THE PRODUCTS TDI APPROVAL OR THAT SHOWN IN THESE DRAWINGS.

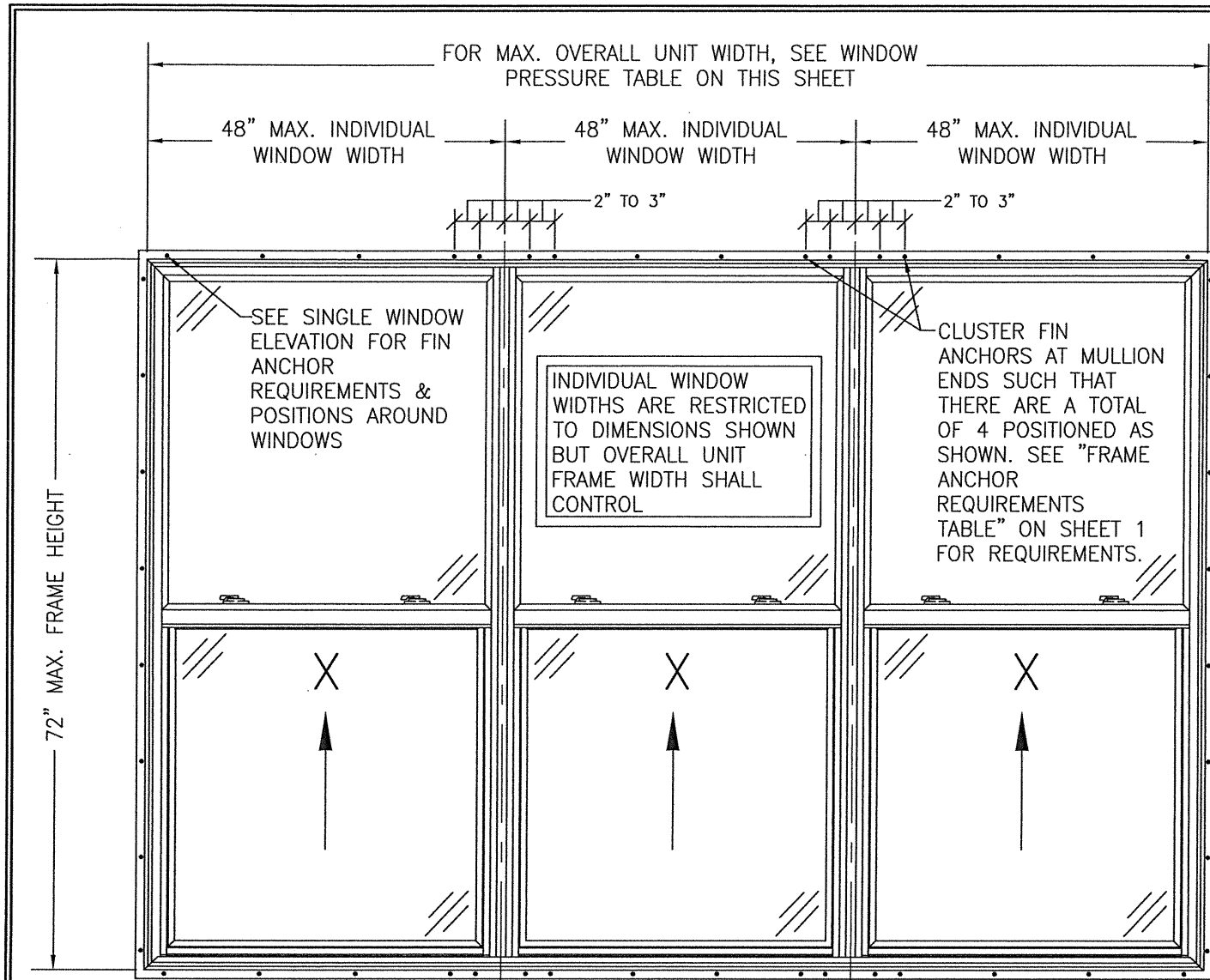
NO.	REVISION DESCRIPTION	DATE	BY

JOB INFORMATION:
PELLA CORPORATION
2000 PROLINE PLACE
GETTYSBURG, PA 17325
717-334-0099

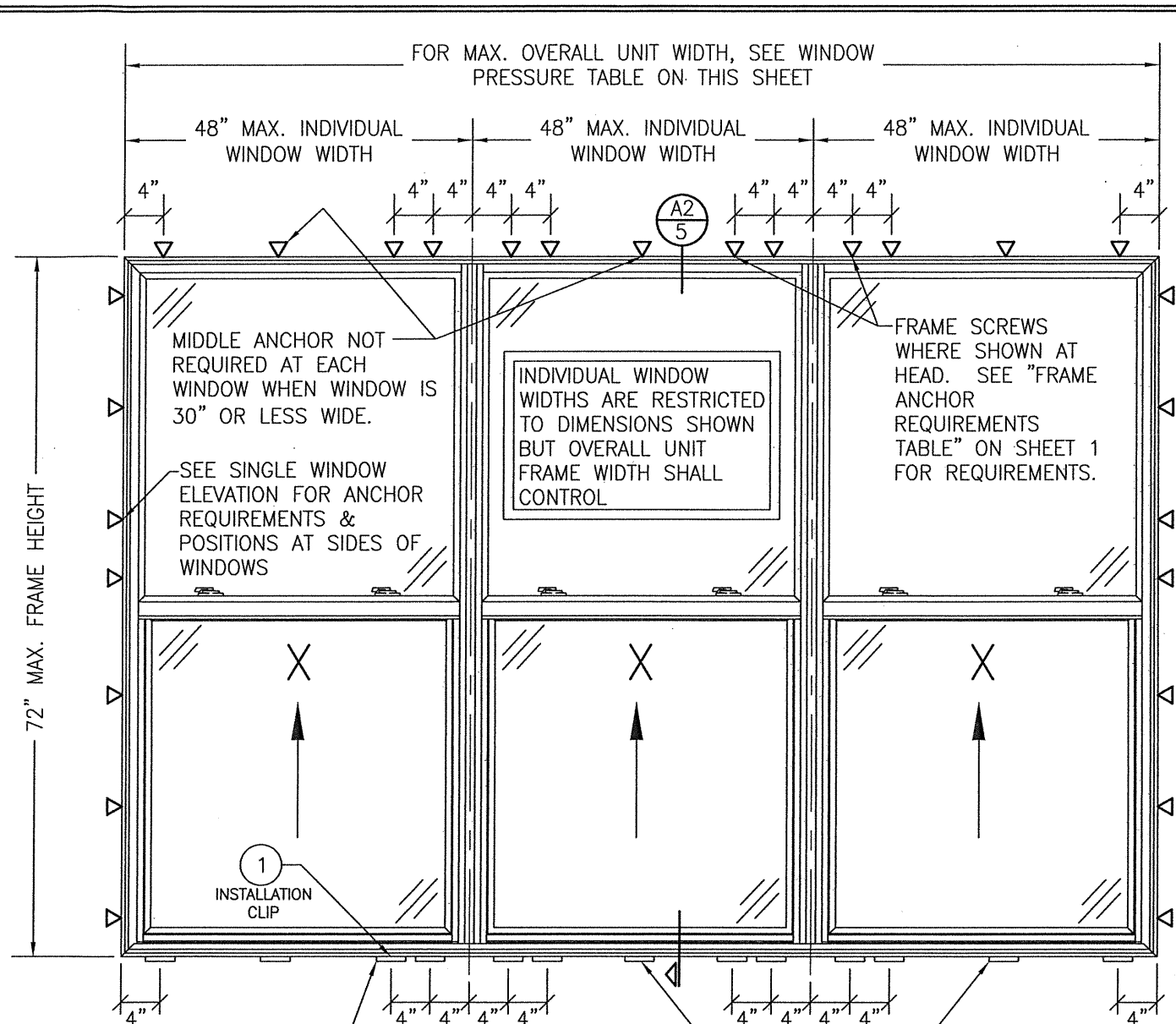
DRAWING TITLE: SERIES 10/20 VINYL SINGLE HUNG WINDOW
CONSULTANTS: W. W. SCHAEFER ENGINEERING & CONSULTING, P.A. (REG. NO. F-14980)
7480 150TH COURT NORTH
PALM BEACH GARDENS, FL 33418
PHONE: 561-744-3424



DRAWING NO. 1572T	REV.
SHEET NO. 1	OF 4



**EXTERIOR ELEVATION:
MULTIPLE WINDOWS
(FIN INSTALLED SERIES 10)**
SCALE: 3/4" = 1'-0"



**EXTERIOR ELEVATION:
MULTIPLE WINDOWS
(FRAME SCREW INSTALLED SERIES 20)**
SCALE: 3/4" = 1'-0"

INSTALLATION CLIPS WHERE SHOWN. SEE "FRAME ANCHOR REQUIREMENTS TABLE" ON SHEET 1 FOR REQUIREMENTS.
NOTE: CLIPS MAY BE USED AT HEAD ALSO IN LIEU OF FRAME SCREWS

ALLOWABLE DESIGN PRESSURE (DOUBLE & TRIPLE WINDOWS)						
OVERALL WINDOW SIZE		MULLION REINFORCEMENT TYPE	STILE REINFORCEMENT	FIXED SASH MEETING RAIL REINFORCEMENT	ACTIVE SASH MEETING RAIL REINFORCEMENT	ALLOWABLE PRESSURE (POSITIVE & NEGATIVE) (PSF)
MAX. FRAME WIDTH (IN.)	MAX. FRAME HEIGHT (IN.)					
DOUBLE WINDOWS						
72	53.5	N/A	NO	NO	YES	35
72	59.5	I-BAR	NO	NO	YES	35
72	65.5	I-BAR	YES	YES	YES	50
72	72	I-BAR	YES	NO	YES	40
96.5	53.5	N/A	NO	YES	YES	35
96.5	59.5	I-BAR	NO	YES	YES	35
96.5	72	I-BAR	YES	YES	YES	35
TRIPLE WINDOWS						
108	53.5	N/A	NO	NO	YES	35
109	59.5	I-BAR	NO	NO	YES	35
109	72	I-BAR	YES	NO	YES	40

PRESSURE SHOWN IN THIS TABLE IS FOR INSTALLATION CONDITIONS ONLY. THE GOVERNING DESIGN PRESSURE ON THE WINDOWS SHALL BE THE LESSER OF THAT SHOWN IN THE INDIVIDUAL WINDOW'S APPROVAL OR THAT SHOWN IN THIS TABLE.

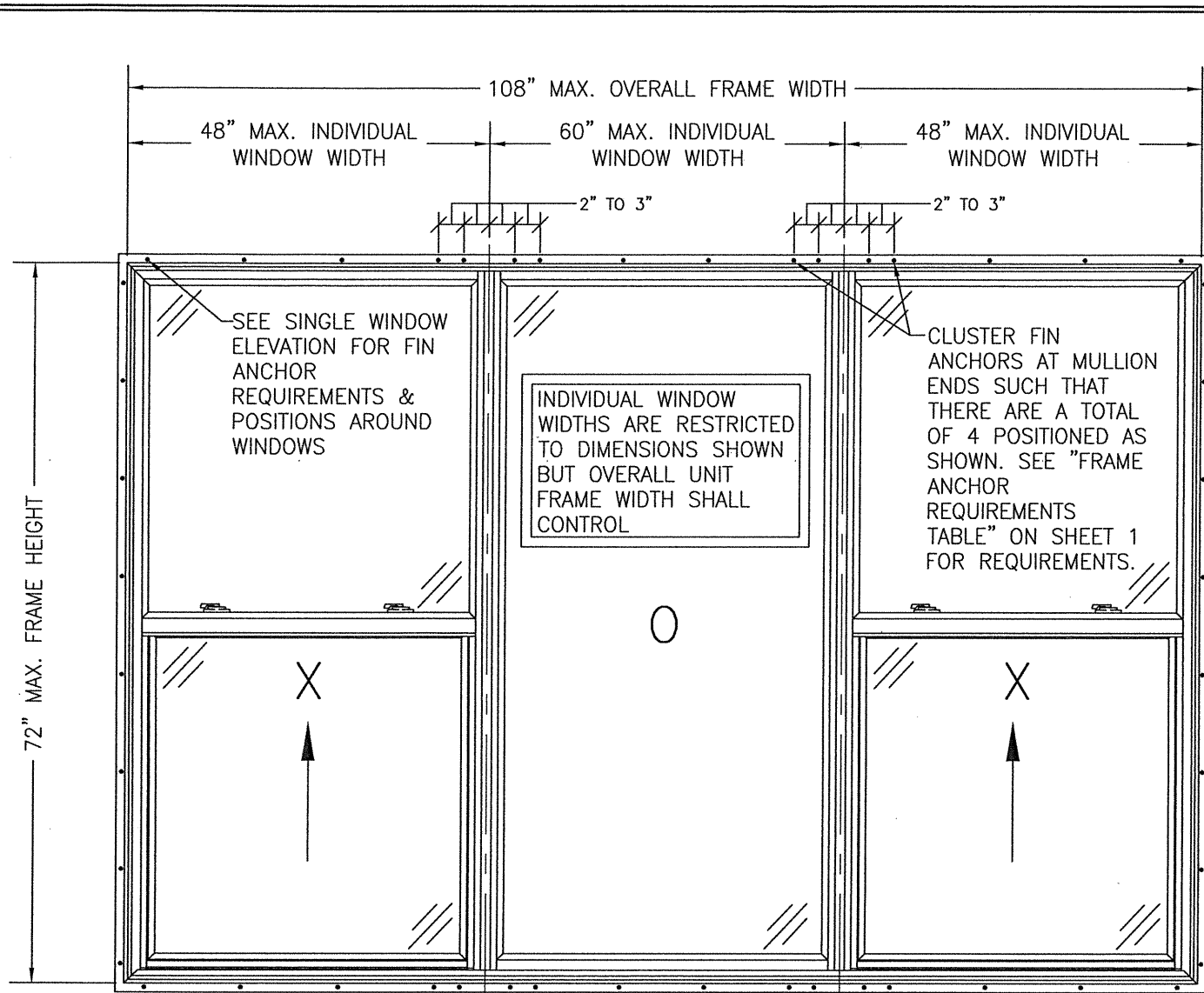
HIGH PERFORMANCE WINDOW

NOTE:

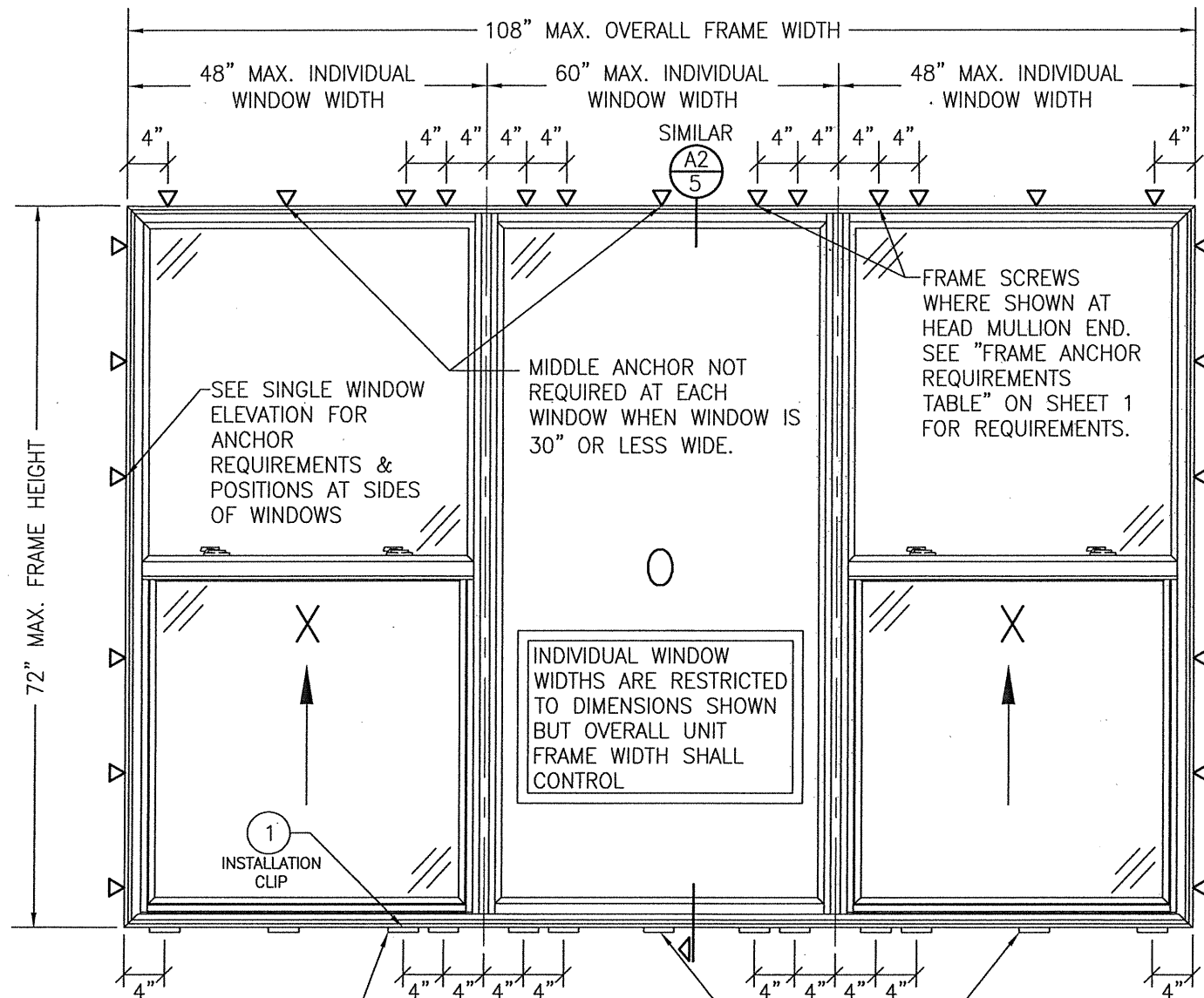
1. ALL WINDOWS ARE RESTRICTED BY THE DIMENSIONS SPECIFIED.
2. TRIPLE WINDOW SHOWN. DOUBLE WINDOW ALSO APPLIES.
3. IF MORE THAN 3 WINDOWS ARE TO BE MULLED IN ONE OPENING, ALLOWABLE PRESSURE ON THOSE UNITS SHALL BE AS STATED FOR THE COMPARABLE TRIPLE UNIT.

DRAWN BY: W.W.S.	CHECKED BY: W.W.S.
PLOT: 1=16	DATE: 01/30/20
DATE	BY
REVISION DESCRIPTION	NO.
DRAWING TITLE SERIES 10/20 VINYL SINGLE HUNG WINDOW	
JOB INFORMATION: PELLA CORPORATION 2000 PROLINE PLACE GETTYSBURG, PA 17325 717-334-0099	
CONSULTANTS W. W. SCHAEFER ENGINEERING & CONSULTING, P.A. (REG. NO. F-14980) 7480 150TH COURT NORTH, 35418 PALM BEACH GARDENS, FL 33418 PHONE: 561-744-3424	
DRAWING NO. 1572T	
REV. 2 OF 4	





**EXTERIOR ELEVATION:
MULTIPLE OPERABLE/FIXED WINDOWS
(FIN INSTALLED SERIES 10)**
SCALE: 3/4" = 1'-0"



**EXTERIOR ELEVATION:
MULTIPLE OPERABLE/FIXED WINDOWS
(FRAME SCREW INSTALLED SERIES 20)**
SCALE: 3/4" = 1'-0"

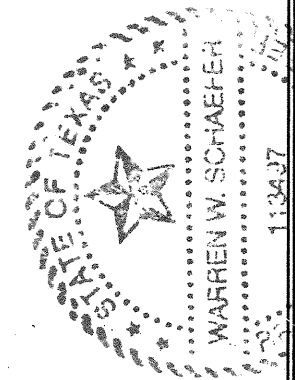
INSTALLATION CLIPS WHERE SHOWN. SEE "FRAME ANCHOR REQUIREMENTS TABLE" ON SHEET 1 FOR REQUIREMENTS. NOTE: CLIPS MAY BE USED AT HEAD ALSO IN LIEU OF FRAME SCREWS

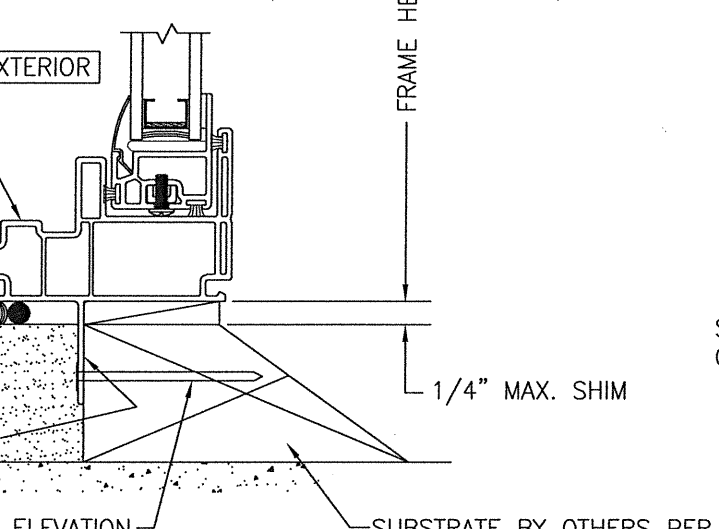
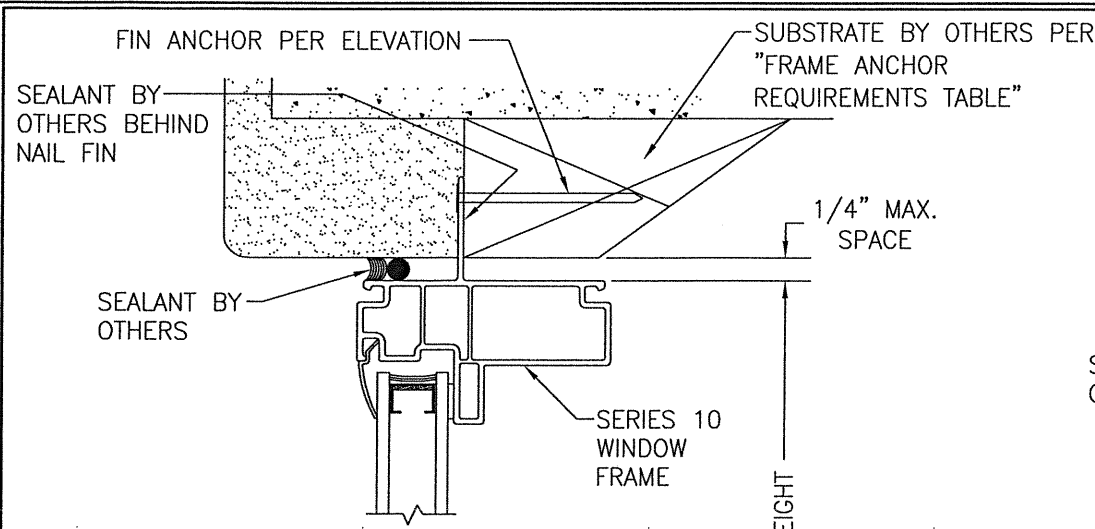
ALLOWABLE DESIGN PRESSURE (XOX WINDOWS)
+/-30 PSF
PRESSURE SHOWN IN THIS TABLE IS FOR INSTALLATION CONDITIONS ONLY. THE GOVERNING DESIGN PRESSURE ON THE WINDOWS SHALL BE THE LESSER OF THAT SHOWN IN THE INDIVIDUAL WINDOW'S APPROVAL OR THAT SHOWN IN THIS TABLE.

NOTE:

1. ALL WINDOWS ARE RESTRICTED BY THE DIMENSIONS SPECIFIED.
2. TRIPLE WINDOW SHOWN. DOUBLE WINDOW ALSO APPLIES & IS RESTRICTED TO A MAXIMUM OVERALL FRAME WIDTH OF 96".

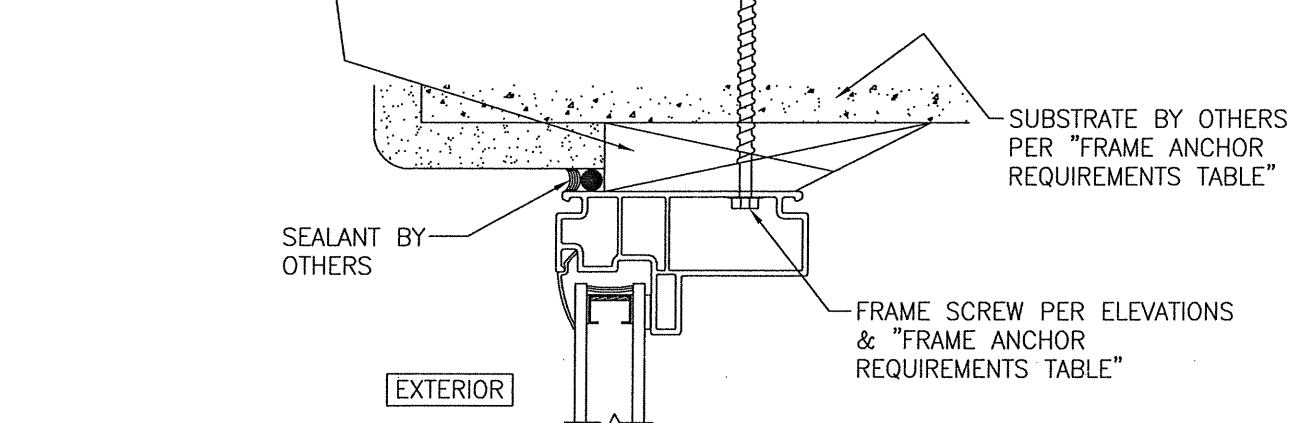
DRAWN BY: W.W.S.	CHECKED BY: W.W.S.
PLOT: 1=16	DATE: 01/30/20
DATE	BY
REVISION DESCRIPTION	NO.
DRAWING TITLE: SERIES 10/20 VINYL SINGLE HUNG WINDOW CONSULTANTS: W. W. SCHAEFER ENGINEERING & CONSULTING, P.A. (REG. NO. F-14980) 7480 150TH COURT NORTH, PALM BEACH GARDENS, FL 33418 PHONE: 561-744-3424 PELLA CORPORATION 2000 PROLINE PLACE GETTYSBURG, PA 17325 717-334-0099	
CERTIFICATION: WARREN W. SCHAEFER, P.E. JUL 17 2020 P.E. NO. 113487	
DRAWING NO. 1572T	REV.
SHEET NO. 3	OF 4



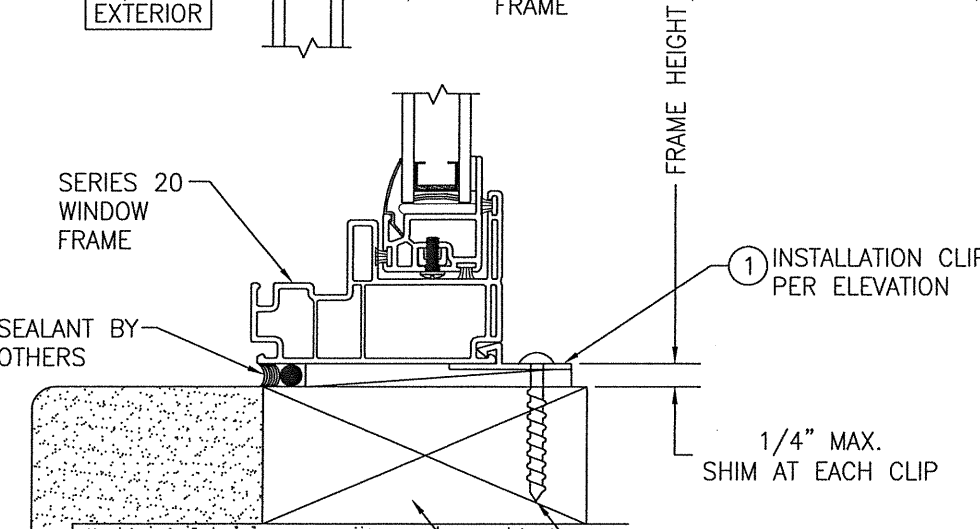
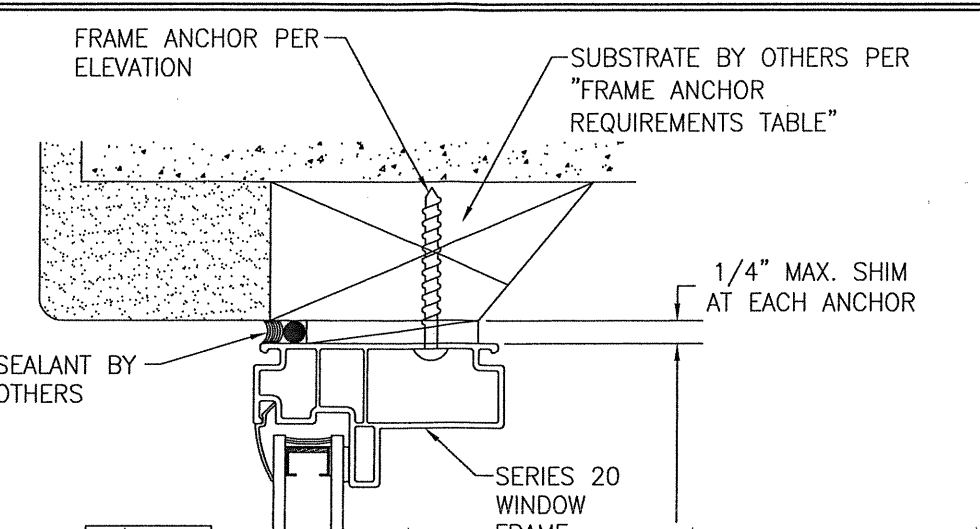


SECTION A1
SCALE: 1/2 FULL

CONTINUOUS WOOD MEMBER LESS IN SIZE THAN A 2X BUCK TO BE MIN. 3 1/2" DEEP (NOT REQUIRED WHEN SHIM SPACE IS WITHIN ALLOWABLE DIMENSIONS SHOWN IN SECTIONS).

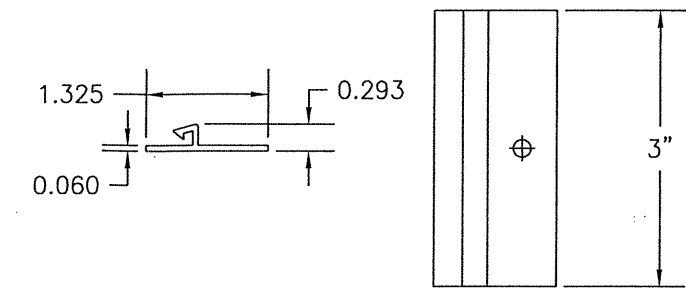


OPTIONAL (SERIES 20) DIRECT MOUNT DETAIL TO SUBSTRATE WITH SPACER
(HEAD SECTION SHOWN, SIDES ARE INSTALLED THE SAME)
(SILL DOES NOT APPLY)
(FOR DETAIL NOT SHOWN, SEE SECTIONS A2/4 & B2/4)

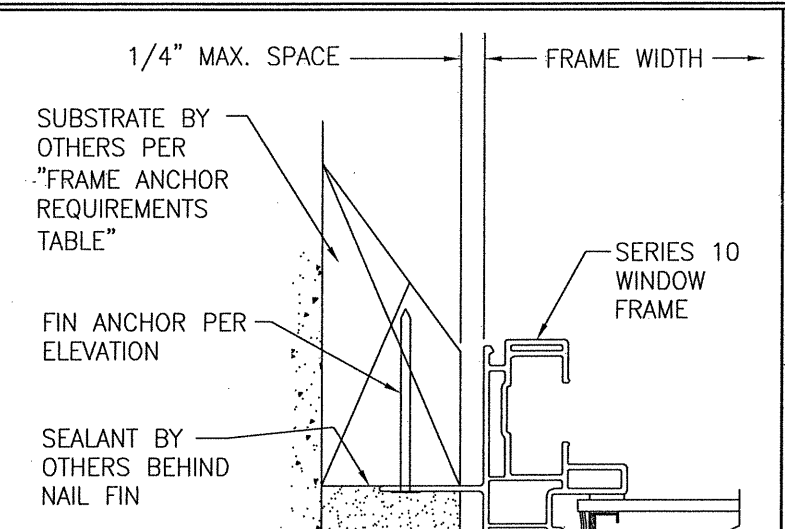


SECTION A2
SCALE: 1/2 FULL

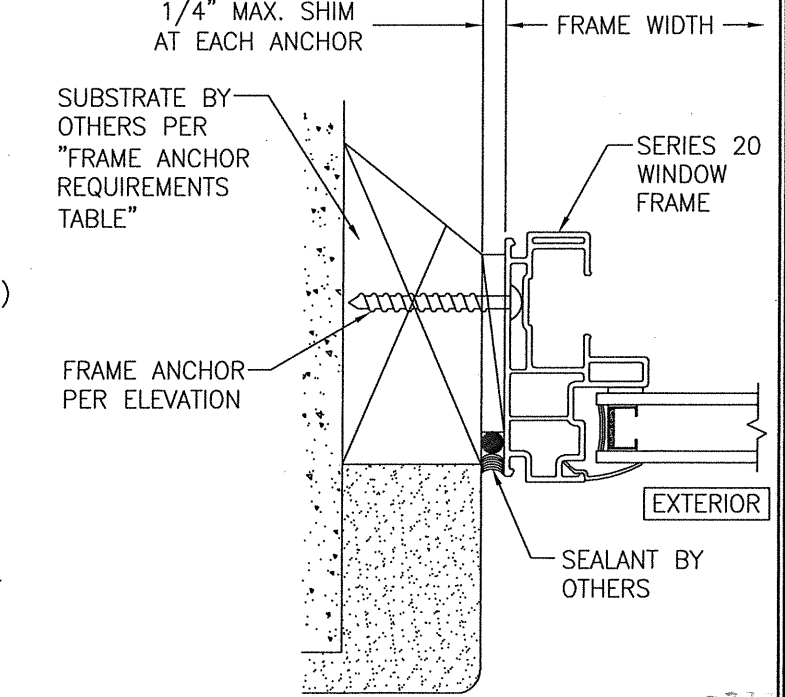
SECTION A2
SCALE: 1/2 FULL




1) INSTALLATION CLIP (VINYL)



SECTION B1
SCALE: 1/2 FULL



SECTION B2
SCALE: 1/2 FULL

DRAWN BY: W.W.S.	CHECKED BY: W.W.S.
PLOT: 1=2	DATE: 01/30/20
DATE	
BY	
REVISION DESCRIPTION	
NO.	
SERIES 10/20 VINYL SINGLE HUNG WINDOW	
JOB INFORMATION: PELLA CORPORATION 2000 PROLINE PLACE GETTYSBURG, PA 17325 717-334-0099	
	
CONSULTANTS: W. W. SCHAEFER ENGINEERING & CONSULTING, P.A. (REG. NO. F-14980) 7480 150TH COURT NORTH, 33418 PALM BEACH GARDENS, FL 33418 PHONE: 561-744-3424	
DRAWING TITLE: SERIES 10/20 VINYL SINGLE HUNG WINDOW	
CERTIFICATION 113437 LICENSED PROFESSIONAL ENGINEER JULY 2020 WARREN W. SCHAEFER	
DRAWING NO. 1572T SHEET NO. 4 OF 4	