

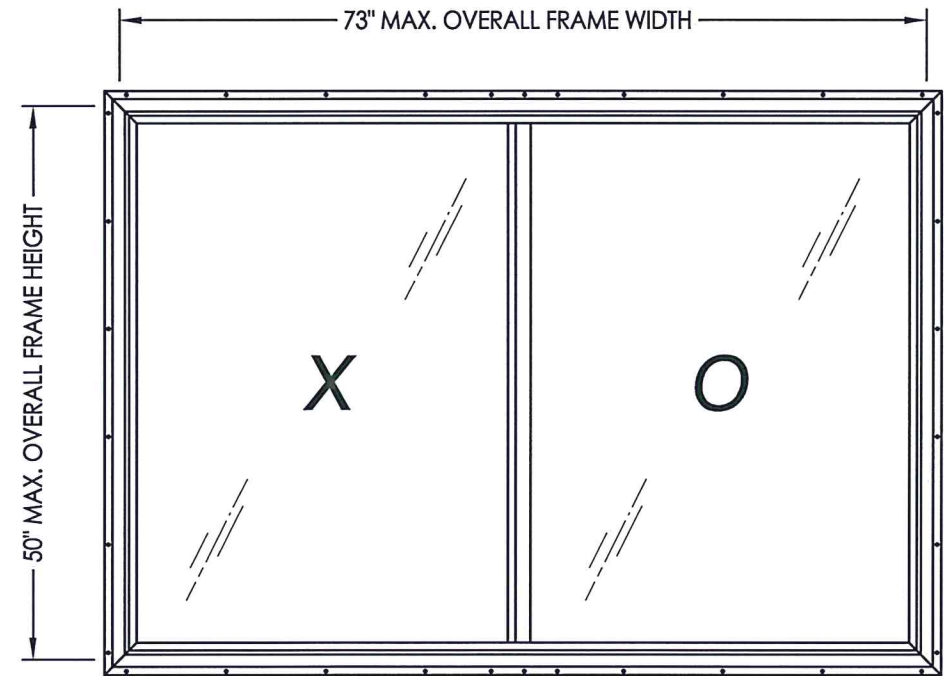
MODEL 3102
PVC HORIZONTAL SLIDER
w/ NAILING FIN
"IMPACT"



Documents Prepared By: Lyndon F. Schmidt, P.E.
TEXAS P.E. #104123

RW BUILDING CONSULTANTS, INC.
P.O. Box 230 Valrico FL 33595
Phone No.: 813.659.9197

TEXAS BOARD OF PROFESSIONAL ENGINEERS
CERTIFICATE OF REGISTRATION # F-11852



EVALUATED FOR USE IN THE STATE OF TEXAS **TDI WIN-681**

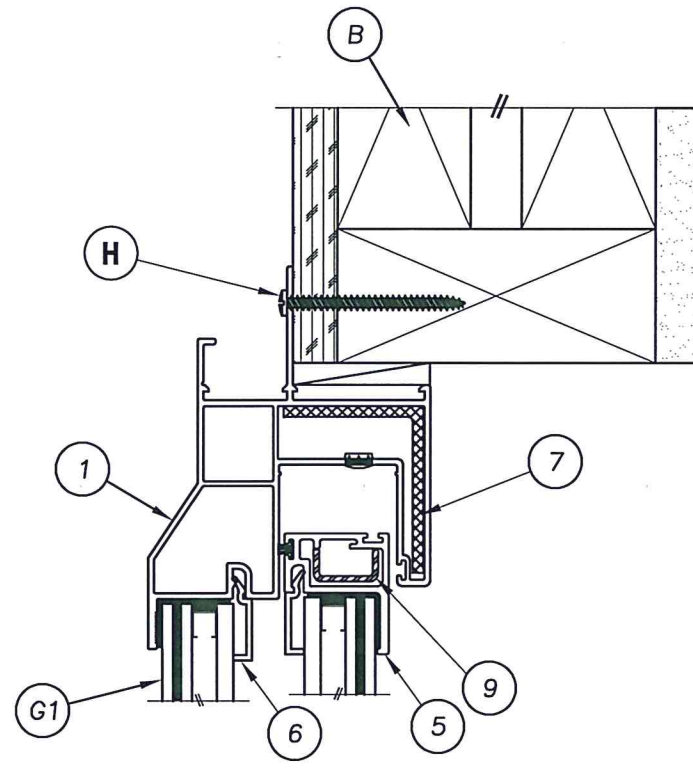
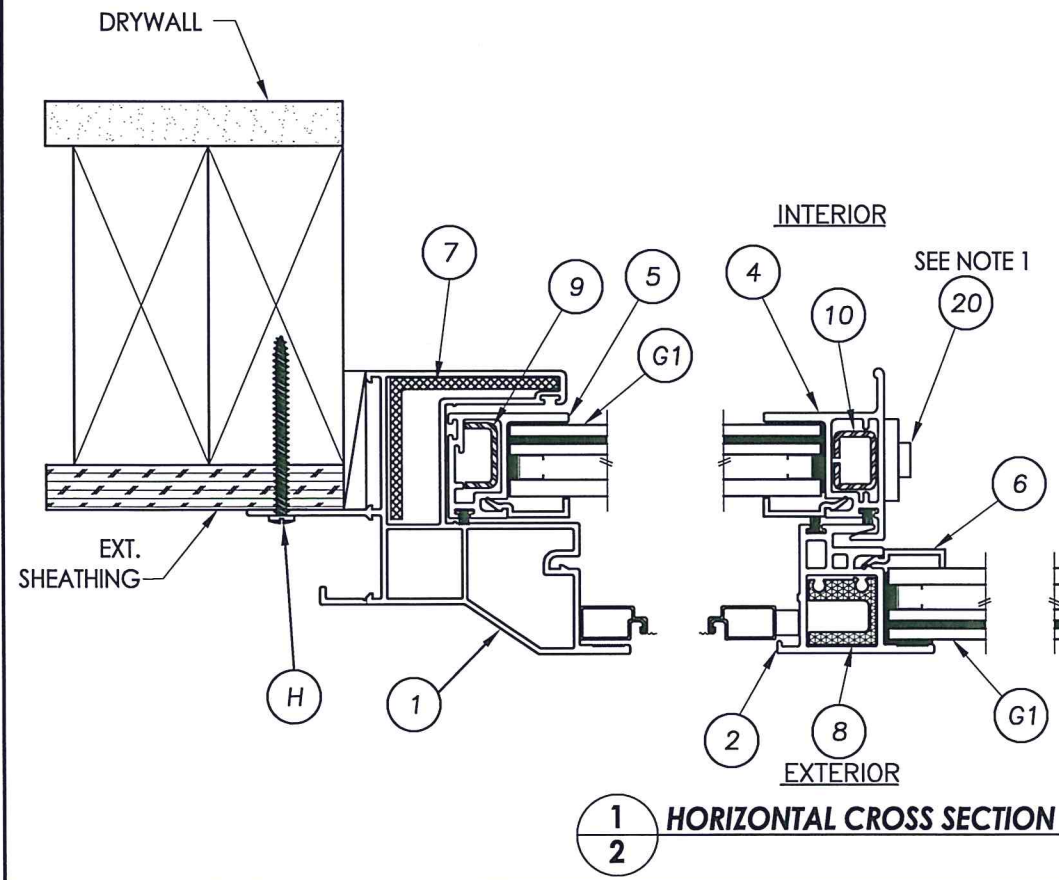
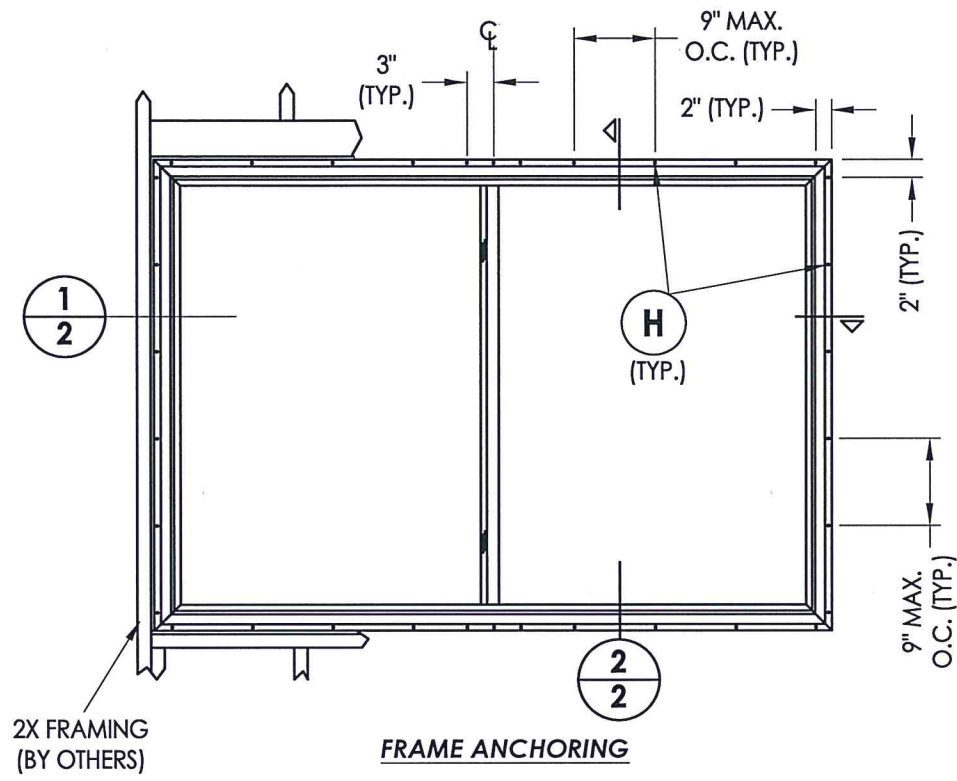
The Horizontal Sliding Window described herein complies with the 2018 International Residential Code (IRC), Sections R301 & R609 and the 2018 International Building Code (IBC), Sections 1404.13, 1609, 1709.5, 2403 and 2404 subject to the following conditions:

1. Anchors shall be as listed and spaced as shown in the details. Anchor embedment to base material shall be beyond roof covering.
2. When used in areas requiring wind-borne debris protection, this product complies with Section R301.2.1.2 of the IRC and Section 1609.2 of the IBC and does not require impact protection. This product meets missile level "D" and includes Wind Zone 3 as defined in ASTM E 1996.
3. Allowable design pressure requirements must be equal to or less than the design pressure rating shown in the design pressure chart, sheet 1 of this drawing.
4. Conditions not covered by this drawing are subject to further engineering analysis.

TABLE OF CONTENTS	
SHEET#	DESCRIPTION
1	Typical elevations, design pressures & general notes
2	Frame anchoring & cross sections
3	Bill of materials, glazing detail and components

OVERALL FRAME DIMENSION	SASH D.L.O. DIMENSION	FIXED D.L.O. DIMENSION	GLASS TYPE	DESIGN PRESSURE (PSF)	
				POSITIVE	NEGATIVE
73.0" X 50.0"	33.12" X 43.87"	31.62" X 44.0"	G1	+50.0	-50.0

PRODUCT:	HORIZONTAL SLIDER	
PART OR ASSEMBLY:	LFS	LFS
TYPICAL ELEVATION, DESIGN PRESSURES & GENERAL NOTES	LFS	BY
REVISIONS		
DATE:	9/10/13	
SCALE:	N.T.S.	
DWG. BY:	JK	
CHK. BY:	LFS	
DRAWING NO.:	TX-4322	
SHEET	1 OF 3	



NOTE:
1. Locks & keepers (2) located 7-1/2" from each end of meeting stile.

Documents Prepared By: Lyndon F. Schmidt, P.E.
TEXAS P.E. #104123

RW BUILDING CONSULTANTS, INC.
P.O. Box 230 Valrico FL 33595
Phone No.: 813.659.9197

TEXAS BOARD OF PROFESSIONAL ENGINEERS
CERTIFICATE OF REGISTRATION # F-11852

PRODUCT:	HORIZONTAL SLIDER
PART OR ASSEMBLY:	FRAME ANCHORING & CROSS SECTIONS

NO.	DATE	REVISIONS
2	8/25/20	UPDATE TO 2018 IBC/IRC
1	6/09/15	REVISED MANUFACTURER/LOGO
		BY

DATE:	9/10/13
SCALE:	N.T.S.
DWG. BY:	JK
CHK. BY:	LFS
DRAWING NO.:	TX-4322
SHEET	2 OF 3

BILL OF MATERIALS

ITEM #	DESCRIPTION	MATERIAL
B	2X FRAMING (SG >= 0.42)	WOOD
C	1/4" MAX. SHIM SPACE	-
F	#8 X 2" PPH SMS	STEEL
1	EXTRUDED VINYL FRAME *	RIGID PVC
2	EXTRUDED VINYL KEEPER RAIL *	RIGID PVC
3	EXTRUDED VINYL SILL TRACK *	RIGID PVC
4	EXTRUDED VINYL LOCK RAIL *	RIGID PVC
5	EXTRUDED VINYL SASH STILE *	RIGID PVC
6	EXTRUDED VINYL GLAZING BEAD *	RIGID PVC
7	EXTRUDED ALUMINUM FRAME REINFORCEMENT	ALUMINUM
8	EXTRUDED ALUMINUM MULLION REINFORCEMENT	ALUMINUM
9	ROLL FORMED STEEL SASH REINFORCEMENT	STEEL
10	ROLL FORMED STEEL LOCK RAIL REINFORCEMENT	STEEL
17	"U" SHAPED METAL SPACER	STEEL
19	STRUCTURAL ADHESIVE SEALANT (DOW 995)	SILICONE
20	CAM LOCK & KEEPER (TRUTH)	STEEL

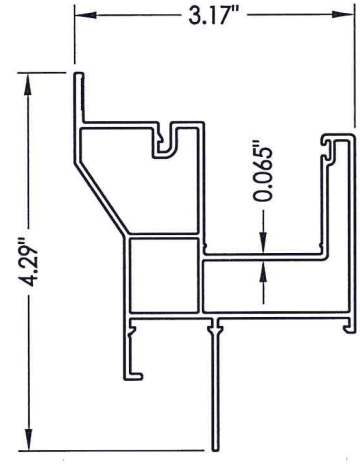
*THE APPROVED WHITE RIGID PVC EXTERIOR EXTRUSIONS FOR WINDOWS ARE TO BE PRODUCED BY EXTRUDERS LICENSEES IN "AAMA CERTIFICATION PROGRAMS FOR RIGID PVC EXTRUSIONS."



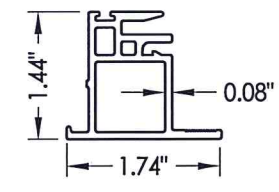
Documents Prepared By: Lyndon F. Schmidt, P.E.
TEXAS P.E. #104123

RW BUILDING CONSULTANTS, INC.
P.O. Box 230 Valrico FL 33595
Phone No.: 813.659.9197

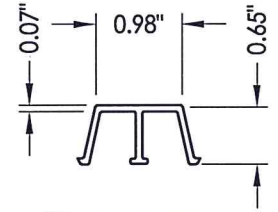
TEXAS BOARD OF PROFESSIONAL ENGINEERS
CERTIFICATE OF REGISTRATION # F-11852



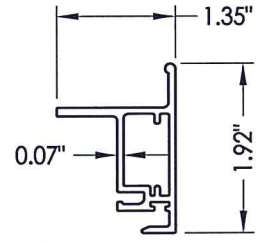
1 MAIN FRAME



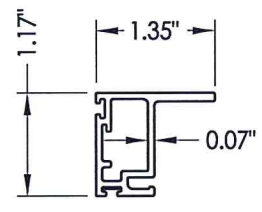
2 KEEPER RAIL



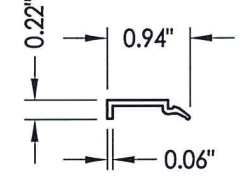
3 SILL TRACK



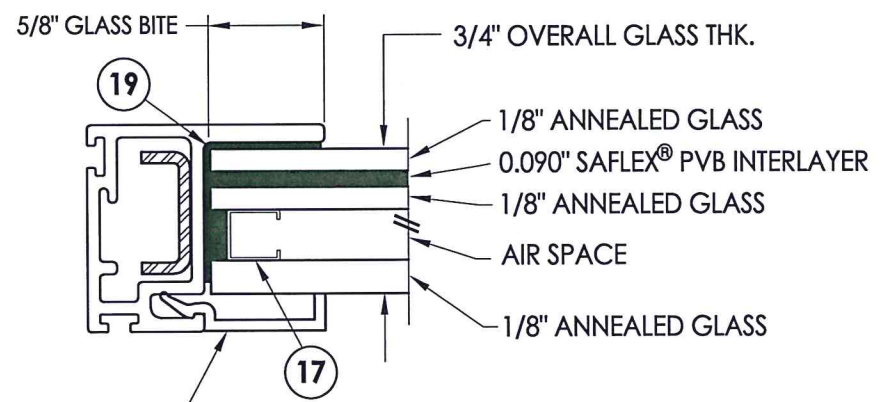
4 LOCK RAIL



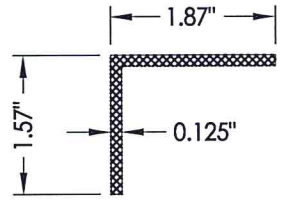
5 SASH STILE



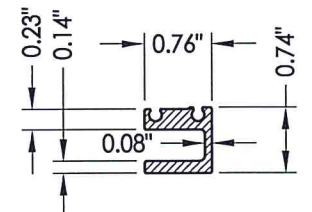
6 GLAZING BEAD



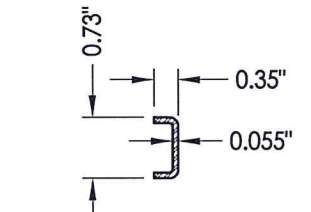
G1 GLAZING DETAIL



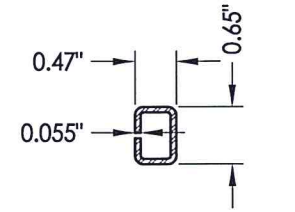
7 REINFORCEMENT



8 REINFORCEMENT



9 REINFORCEMENT



10 REINFORCEMENT

PRODUCT: HORIZONTAL SLIDER
PART OR ASSEMBLY: BILL OF MATERIALS, GLAZING DETAILS & COMPONENTS

REVISONS	
NO.	DATE
2	8/25/20
1	6/09/15

DATE: 9/10/13
SCALE: N.T.S.
DWG. BY: JK
CHK. BY: LFS
DRAWING NO.: TX-4322
SHEET 3 OF 3