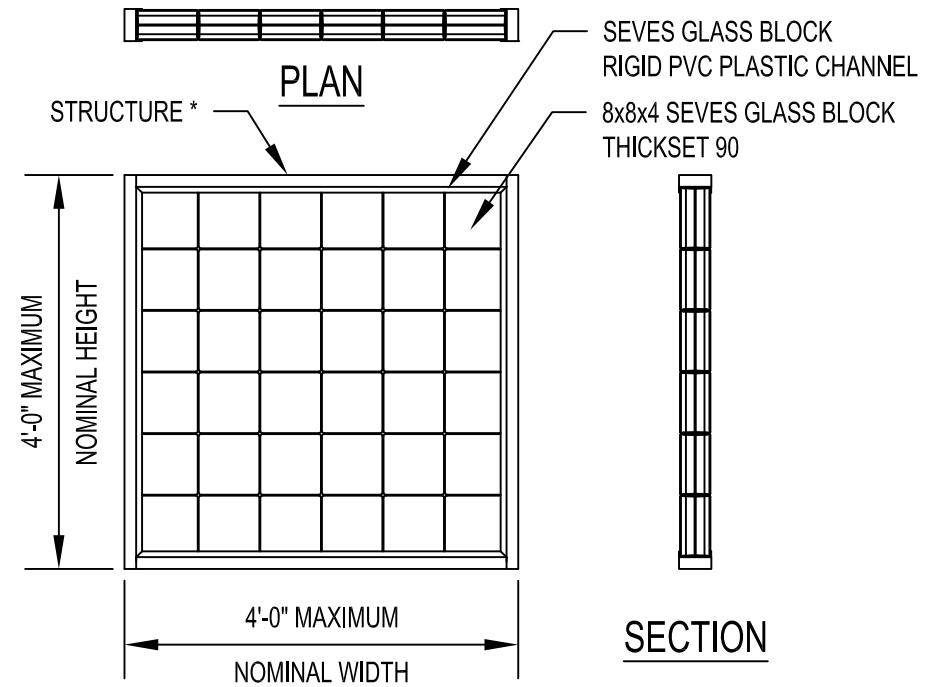
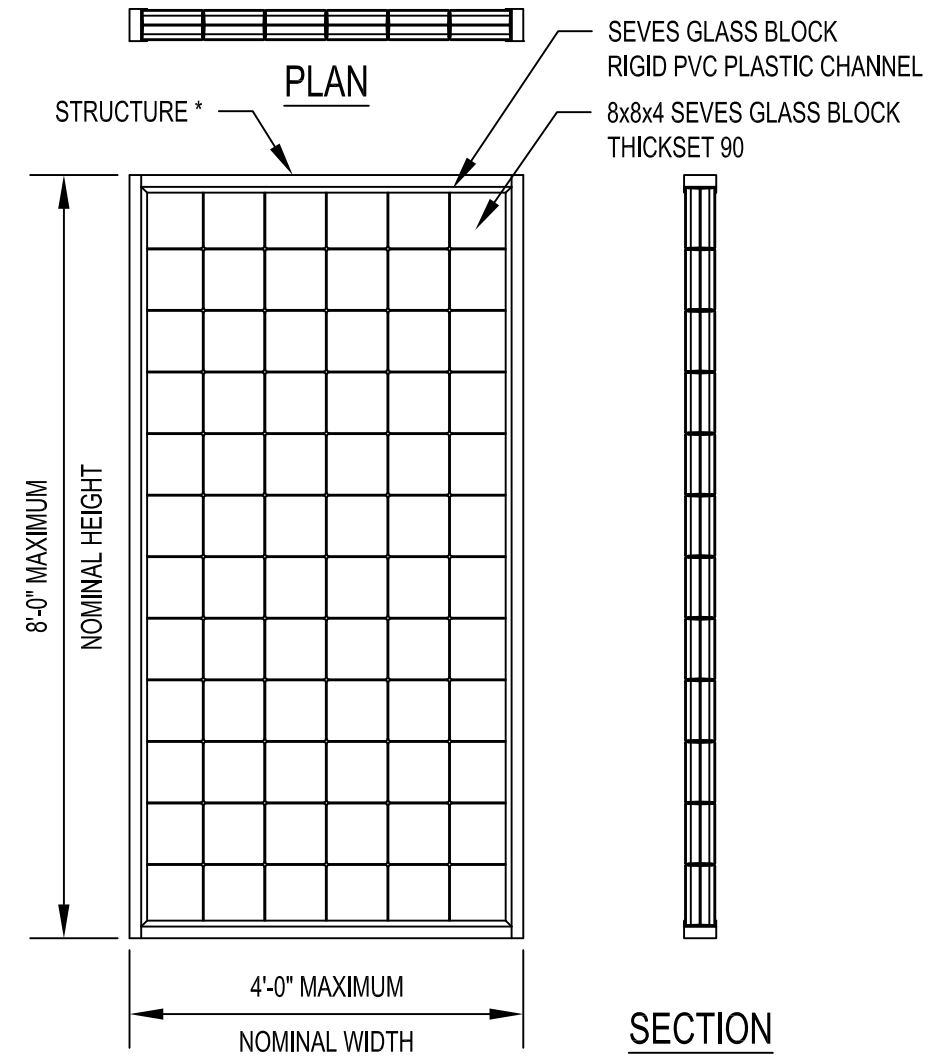


REVISIONS		
REV	DESCRIPTION	DATE
-	-	-

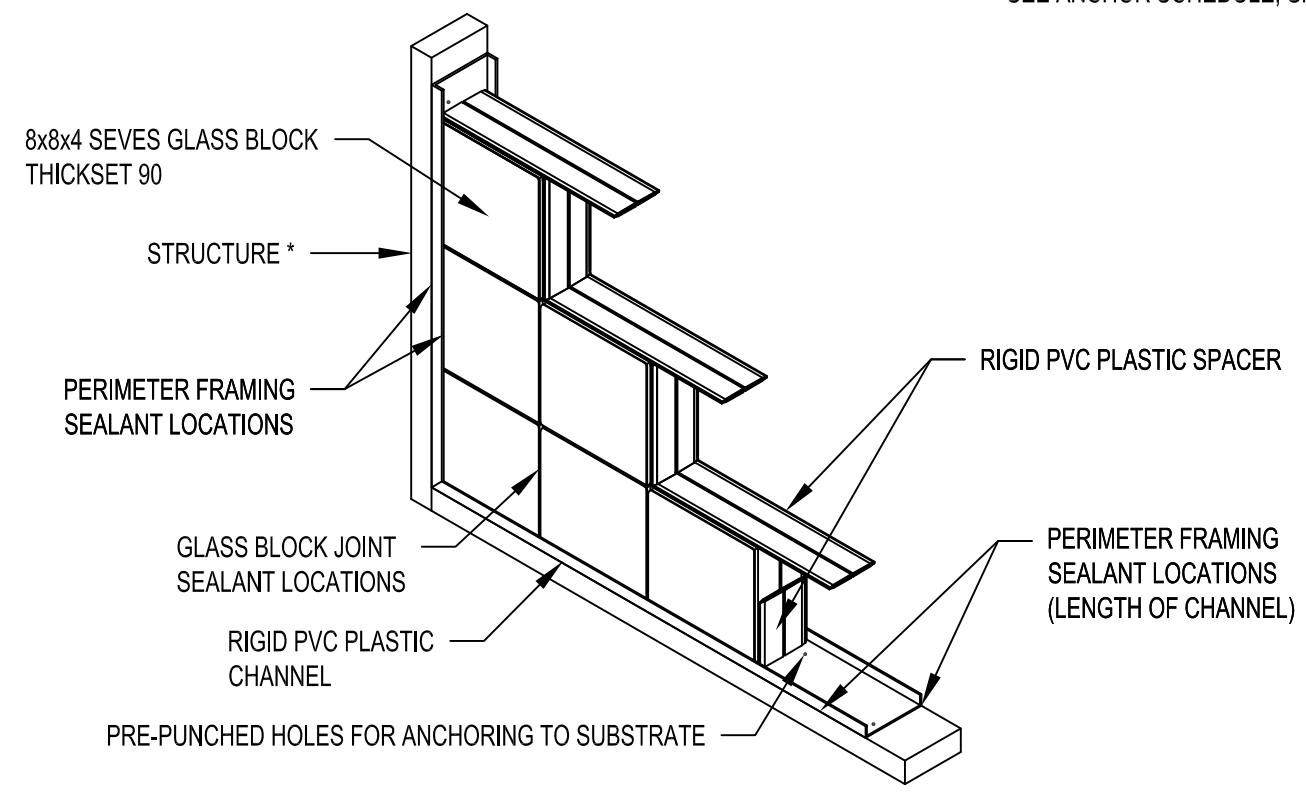


IMPACT RESISTANT
DESIGN PRESSURE RATING
± 100.0 PSF

* SEE ANCHOR SCHEDULE, SHEET 3.



IMPACT RESISTANT
DESIGN PRESSURE RATING
± 80.0 PSF

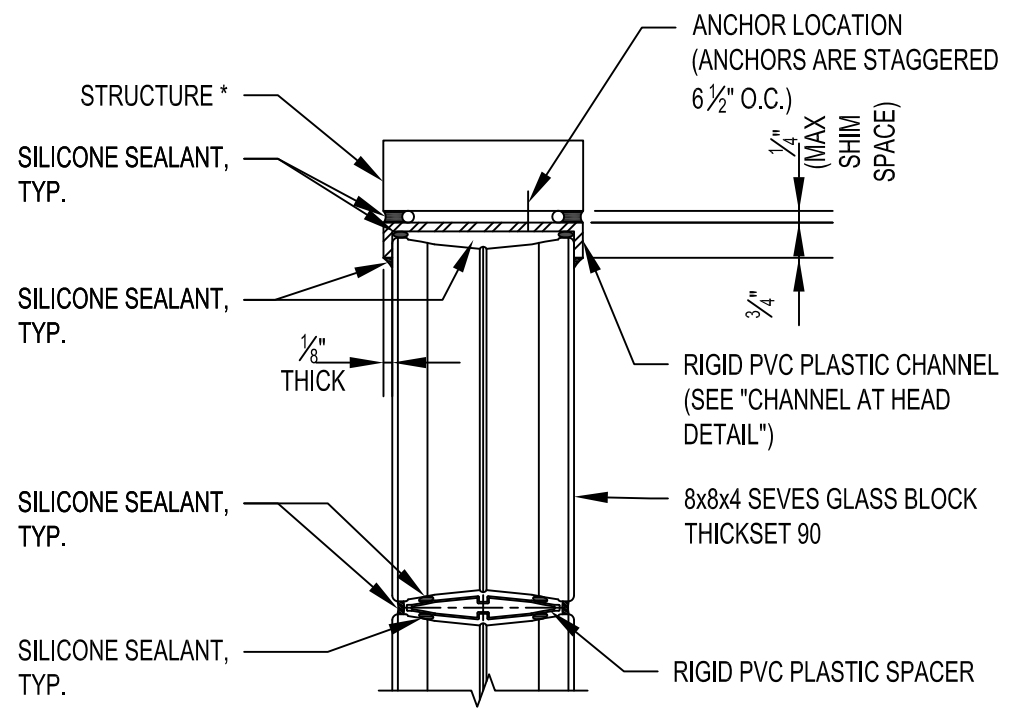


HERMES F. NORERO, P.E.
 TEXAS P.E. NO. 118471
 398 E. DANIA BEACH BLVD., STE. 338
 DANIA BEACH, FL 33004
 TBPE FIRM NO. 13734

TITLE
**Residential Hurricane Resistant Windows
 With THICKSET® 90 Series Glass Block
 And ProVantage® Silicone System**

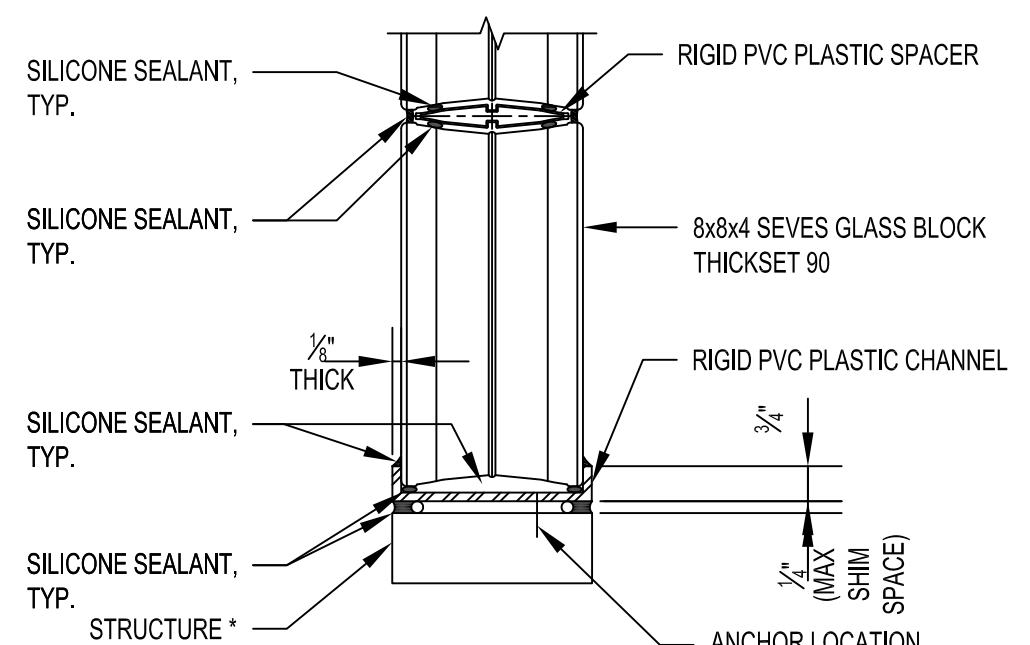
SEVES GLASS BLOCK, INC.
 10576 BROADVIEW ROAD
 BROADVIEW HEIGHTS, OH 44147

SCALE	1/2" = 1'-0"	DWG. NO.	RHRW-001	REV	0
BY	LMS	DATE	11/17/2015	SHEET	1 OF 3



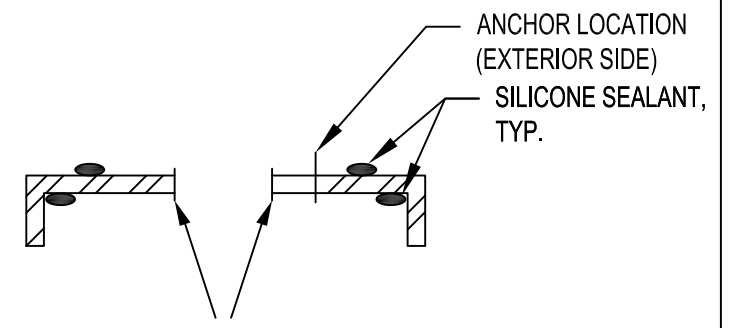
TYPICAL HEAD DETAIL
SCALE: 3" = 1'-0"

* SEE ANCHOR SCHEDULE, SHEET 3.



TYPICAL SILL DETAIL
SCALE: 3" = 1'-0"

REVISIONS		
REV	DESCRIPTION	DATE
-	-	-

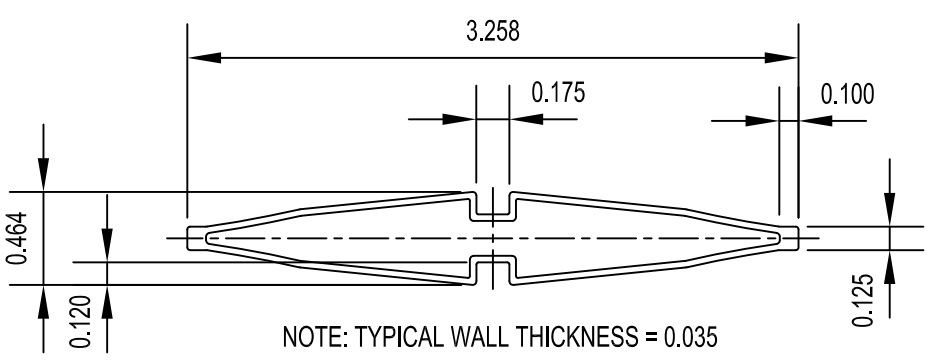


PERIMETER CHANNEL, AT HEAD, TO BE CUT LENGTHWISE DOWN THE CENTER FOR INSTALLATION OF LAST ROW OF GLASS BLOCK.

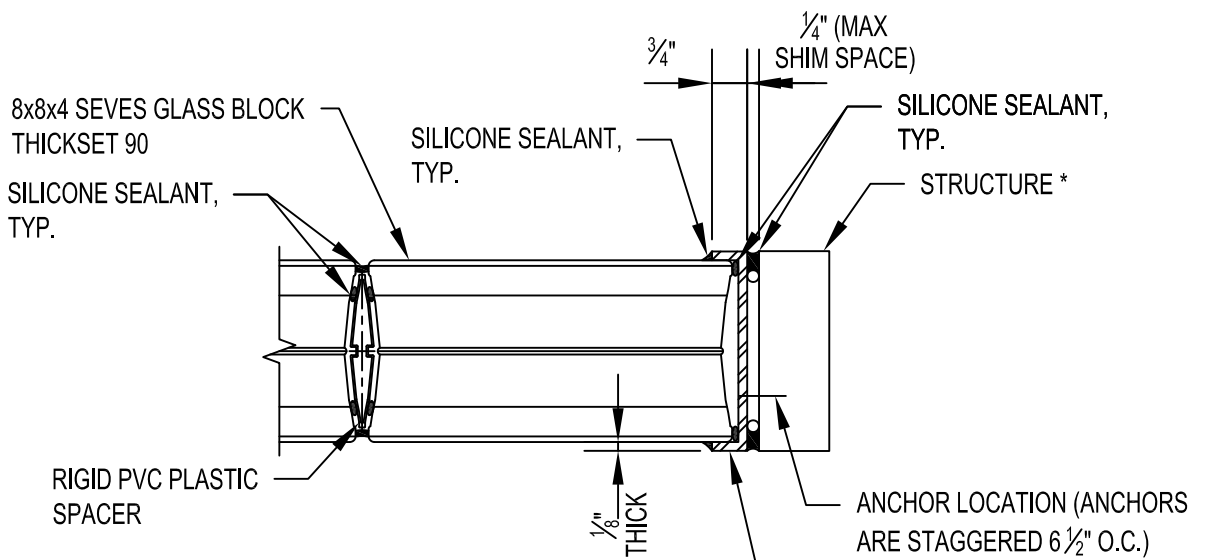
HALF CHANNEL PIECE THAT IS SECURED WITH SCREWS, SHOULD BE ON THE EXTERIOR SIDE.

1/4" BEAD OF SEALANT APPLIED HORIZONTALLY ACROSS THE TOP INSIDE CORNERS OF CHANNEL HALVES.

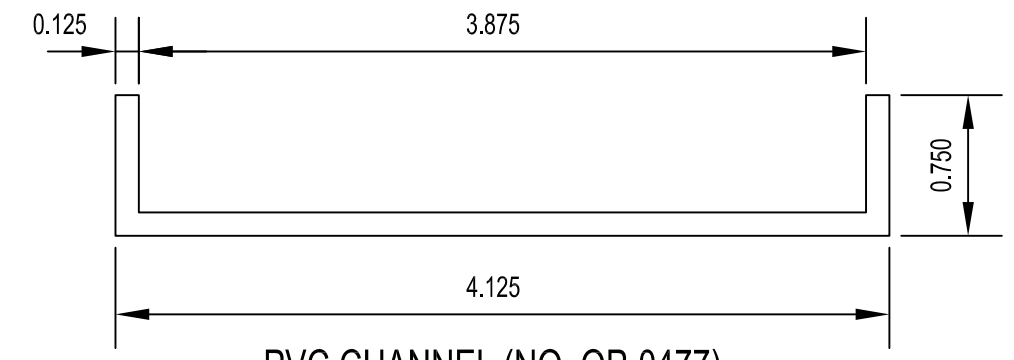
CHANNEL AT HEAD DETAIL
SCALE: 1/2" = 1"



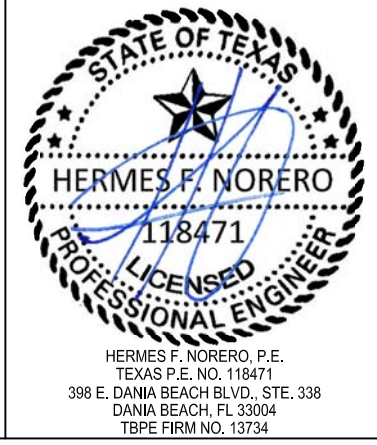
PVC SPACER (NO. QP-0514)
CARDINAL SYSTEMS, INC.
SCALE 1:1



TYPICAL JAMB DETAIL
SCALE: 3" = 1'-0"



PVC CHANNEL (NO. QP-0477)
CARDINAL SYSTEMS, INC.
SCALE 1:1



TITLE			
Residential Hurricane Resistant Windows With THICKSET® 90 Series Glass Block And ProVantage® Silicone System			
SEVES GLASS BLOCK, INC. 10576 BROADVIEW ROAD BROADVIEW HEIGHTS, OH 44147			
SCALE	DWG. NO.	REV	
VARIES	RHRW-001	0	
BY	DATE	SHEET	
LMS	11/17/2015	2 OF 3	

REVISIONS		
REV	DESCRIPTION	DATE
-	-	-

SPECIFICATION NOTES:

- **GLASS BLOCK UNITS:** Thickset® 90 Series 8"x8"x4" or 6"x6"x4" (nominal size).
- **FRAME AND SPACERS:** Extruded white rigid PVC. Frame corners are cut square or mitered and are silicone sealed. Extruded by Cardinal Systems, Inc.
- **SEALANT:** Seves Glass Block Sealant. One part neutral fast curing structural silicone sealant.
- **SEALANT LOCATIONS:** All horizontal and vertical glass block joints; inside corners of perimeter channels; two beads (1/2" from each edge) between back of perimeter channels and framing members; two beads each above and below "long" horizontal spacer and "short" vertical spacers; perimeter joints between glass block and channel legs; and perimeter joints between channels and framing members.
- **REINFORCEMENT:** PVC spacers between all horizontal and vertical joints. Spacers in channels are not required.
- **SHIM SPACES:** Maximum 1/4" shim space between the perimeter channel and wood frame.
- **FIELD INSTALLATION:** Loose materials (glass block, spacers, channels and sealant) are available from Seves Glass Block authorized distributors, dealers and home centers for on-site installation. Complete window units, framed within 2x6 treated lumber, and pre-fabricated by Seves Glass Block in accordance with these instructions, are also available from authorized distributors, dealers and home centers. **NOTE:** These windows are recommended for **RESIDENTIAL APPLICATIONS ONLY.**

ANCHORAGE SCHEDULE

SUBSTRATE	MATERIAL DATA	FASTENER	SPACING	MIN. EMBEDMENT (E)	MIN. EDGE DISTANCE (E.D.)
STEEL	MIN. 18 GA. f _y = 33 KSI	#10 SDS SAE GR. 5 SCREW (FLAT HEAD)	2" FROM CORNER, 6 1/2" O.C.	3 THREADS PENETRATION BEYOND STEEL FRAMING	3/4"
CONCRETE	MIN. f _c = 3000 PSI	3/16"Ø HILTI KWIK CON II+ (FLAT HEAD)	2" FROM CORNER, 6 1/2" O.C.	1"	2 1/2"
		3/16" ITW TAPCONS	2" FROM CORNER, 6 1/2" O.C.	1 1/4"	2 1/2"
MASONRY	CONFORMS TO ASTM C90 GROUT CONFORMS TO ASTM C476 MIN. GROUT f _c = 2000 PSI	3/16"Ø HILTI KWIK CON II+ (FLAT HEAD)	2" FROM CORNER, 6 1/2" O.C.	1"	2 1/2"
		3/16" ITW TAPCONS	2" FROM CORNER, 6 1/2" O.C.	1 1/4"	2 1/2"
WOOD	MIN. S.G. = 0.42	#8 WOOD SCREW (FLAT HEAD)	2" FROM CORNER, 6 1/2" O.C.	1"	3/4"

SEVES GLASS BLOCK

SERIES	PATTERN	NOMINAL DIM.	MIN. FACE THICKNESS
THICKSET® 90	NUBIO®	8"x8"x4"	0.75 IN.
		6"x6"x4"	0.75 IN.
THICKSET® 90	CLARITY®	8"x8"x4"	0.75 IN.
		6"x6"x4"	0.75 IN.
THICKSET® 90	ENDURA®	8"x8"x4"	0.75 IN.



HERMES F. NORERO, P.E.
TEXAS P.E. NO. 118471
398 E. DANIA BEACH BLVD., STE. 338
DANIA BEACH, FL 33004
TBPE FIRM NO. 13734

TITLE
Residential Hurricane Resistant Windows
With THICKSET® 90 Series Glass Block
And ProVantage® Silicone System

SEVES GLASS BLOCK, INC.
10576 BROADVIEW ROAD
BROADVIEW HEIGHTS, OH 44147

SCALE	NTS	DWG. NO.	RHRW-001	REV	0
BY	LMS	DATE	11/17/2015	SHEET	3 OF 3