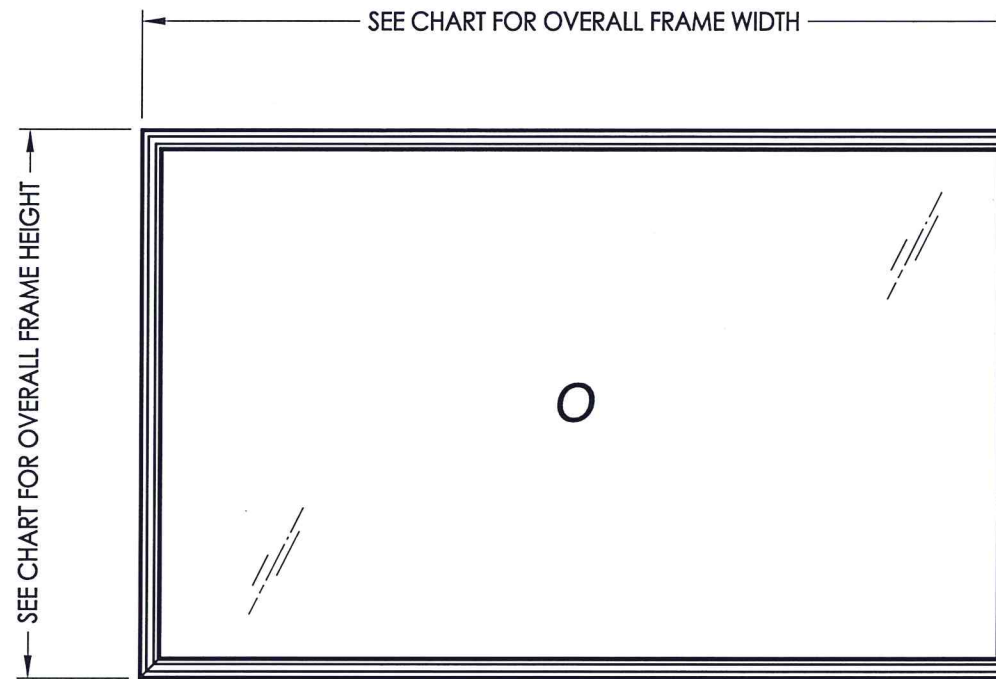


# MODEL 0504/0614/0970/8014/9014

## PVC FIXED WINDOW

### "NON-IMPACT"



EVALUATED FOR USE IN THE STATE OF TEXAS

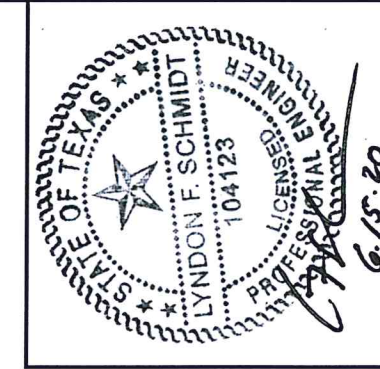
**TDI WIN-532**

The Fixed Window described herein complies with the 2018 International Residential Code (IRC), Sections R301 & R609 and the 2018 International Building Code (IBC), Sections 1404.13, 1609, 1709.5, 2403 and 2404 subject to the following conditions:

1. Anchors shall be as listed and spaced as shown in the details. Anchor embedment to base material shall be beyond wall dressing or stucco.
2. When used in areas requiring wind-borne debris protection this product is required to be protected with an impact resistant covering that complies with Section R301.2.1.2 of the IRC and Section 1609.2 of the IBC.
3. Allowable design pressure requirements must be equal to or less than the design pressure rating shown in the design pressure chart, sheet 1 of this drawing.
4. Conditions not covered by this drawing are subject to further engineering analysis.

| TABLE OF CONTENTS |  |
|-------------------|--|
| SHEET#            | DESCRIPTION  |
| 1                 | Typical elevations, design pressures & general notes |
| 2                 | Frame anchoring & cross sections                     |
| 3                 | Bill of materials , glazing details and components   |

| OVERALL FRAME DIMENSION | OVERALL DAY LIGHT DIMENSION | GLASS TYPE | DESIGN PRESSURE (PSF) |       |
|-------------------------|-----------------------------|------------|-----------------------|-------|
|                         |                             |            | POS.                  | NEG.  |
| 96.0" X 75.0"           | 90.5" X 69.5"               | G1         | +35.0                 | -35.0 |
| 60.0" X 60.0"           | 54.5" X 54.5"               | G2         | +40.0                 | -40.0 |
| 72.0" X 48.0"           | 66.5" X 42.5"               |            | +45.0                 | -45.0 |

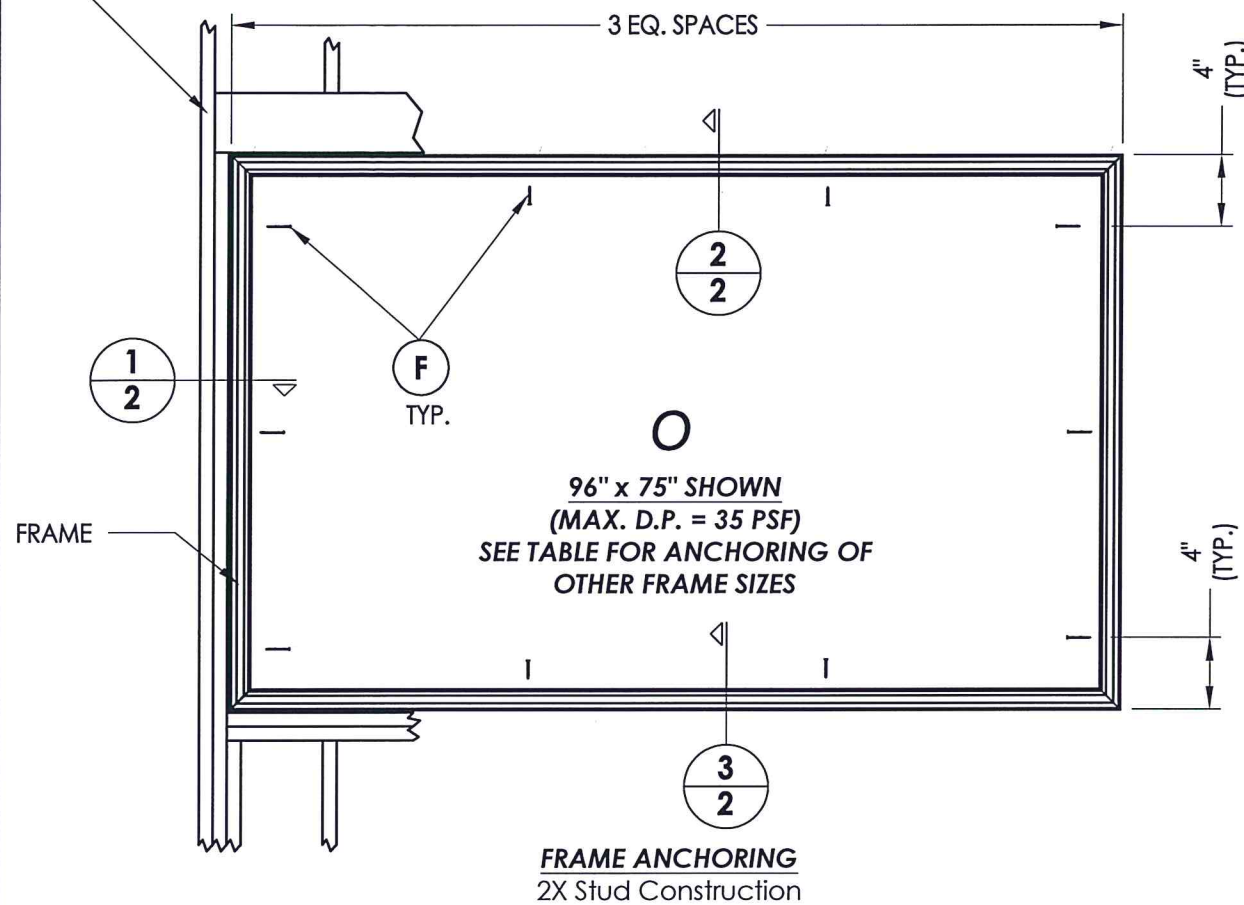

 Documents Prepared By: Lyndon F. Schmidt, P.E.  
 TEXAS P.E. #104123  
**RW** BUILDING CONSULTANTS, INC.  
 P.O. Box 230 Vairico FL, 33595  
 Phone No.: 813.659.9197  
 TEXAS BOARD OF PROFESSIONAL ENGINEERS  
 CERTIFICATE OF REGISTRATION # F-11852

 PRODUCT: FIXED WINDOW  
 PART OR ASSEMBLY:  
 TYPICAL ELEVATION, DESIGN PRESSURES & GENERAL NOTES

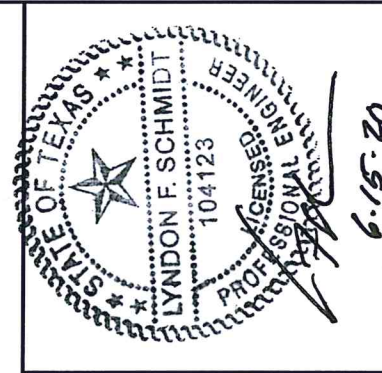
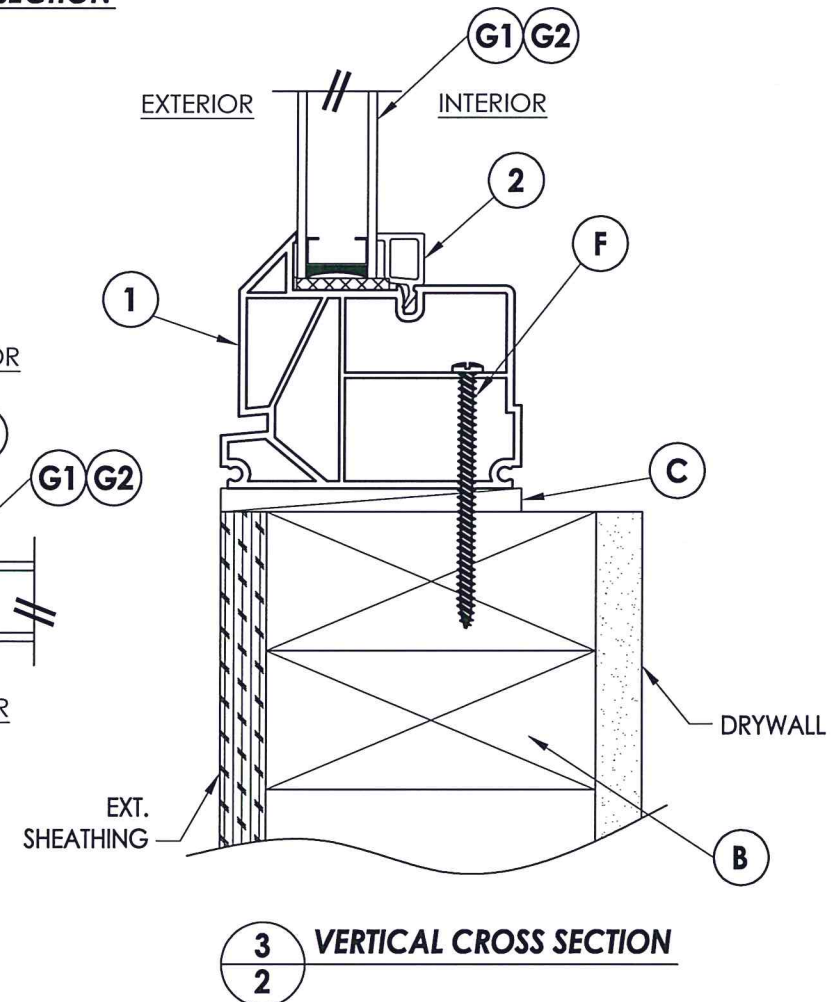
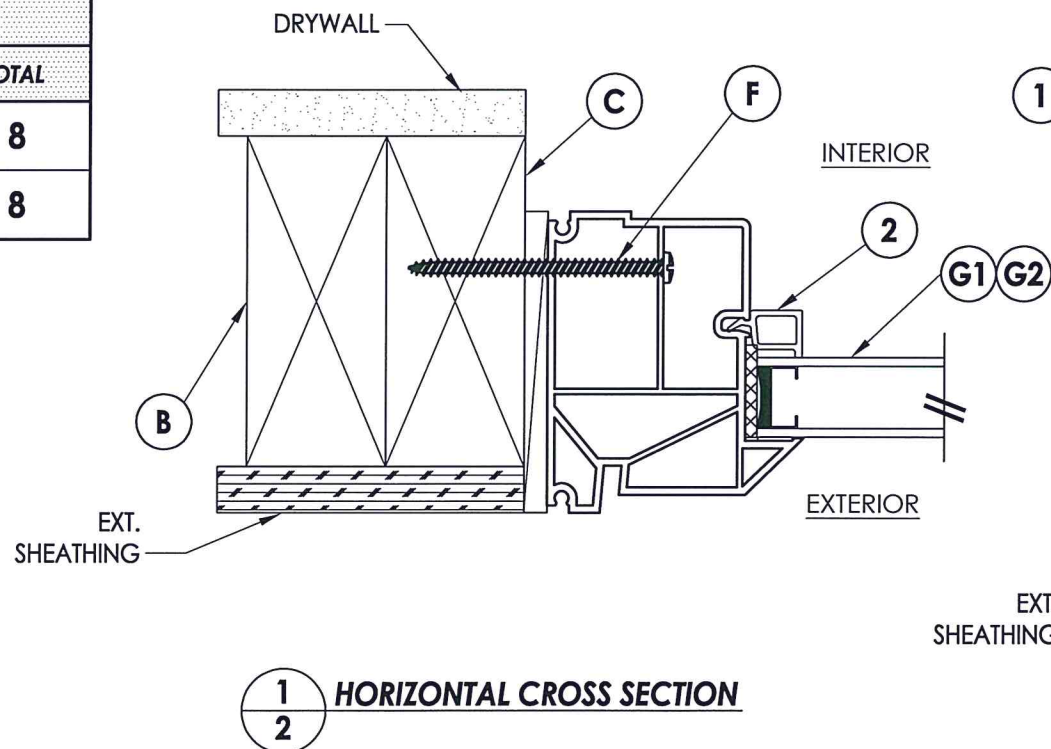
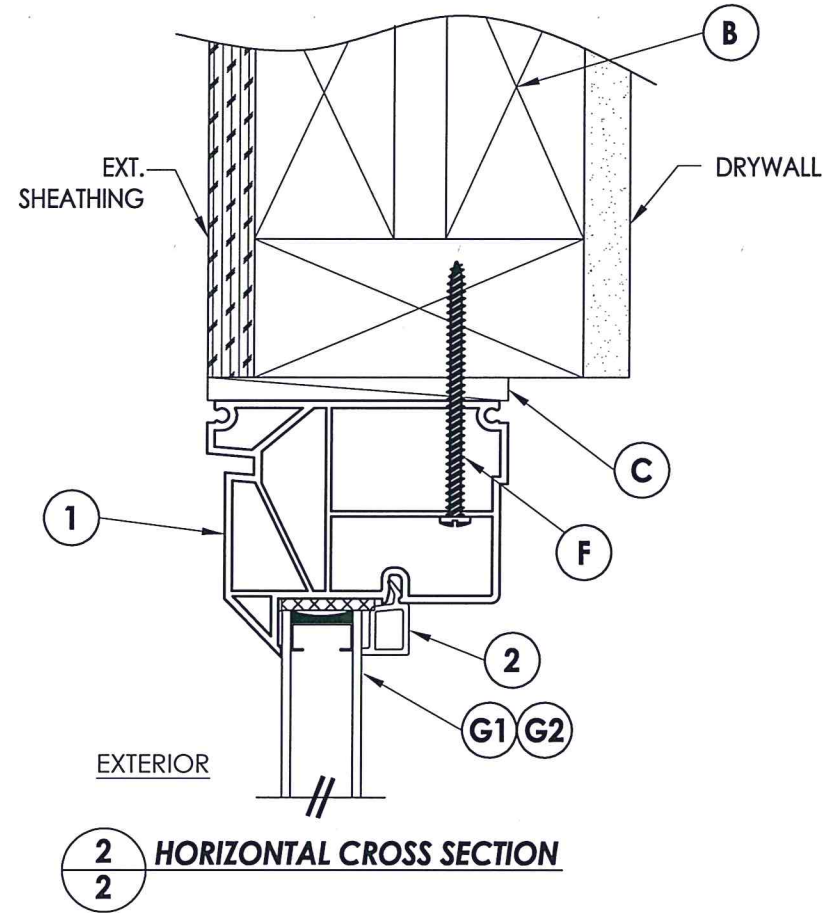
| NO. | DATE    | REVISIONS                                  |
|-----|---------|--|
| 1   | 6/15/20 | UPDATE TO 2018 IBC/IRC AND FOR NEW TESTING |

 DATE: 2/20/14  
 SCALE: N.T.S.  
 DWG. BY: JK  
 CHK. BY: LFS  
 DRAWING NO.: TX-4307  
 SHEET 1 OF 3

2x framing to be designed by the engineer or architect of record



| MAX. FRAME DIMENSION | MAX. DESIGN PRESSURE | ANCHOR QUANTITY & LOCATION |                  |       |
|----------------------|----------------------|----------------------------|------------------|-------|
|                      |                      | HEAD & SILL                | JAMBS            | TOTAL |
| 60.0" X 60.0"        | 40 PSF               | (2) @ 1/3 pts.             | (2) 4" from ends | 8     |
| 72.0" X 48.0"        | 45 PSF               | (2) @ 1/3 pts.             | (2) 4" from ends | 8     |



Documents Prepared By: Lyndon F. Schmidt, P.E.  
TEXAS P.E. #104123

**RW** BUILDING CONSULTANTS, INC.  
P.O. Box 230 Valrico FL 33595  
Phone No.: 813.659.9197

TEXAS BOARD OF PROFESSIONAL ENGINEERS  
CERTIFICATE OF REGISTRATION # F-11852

PRODUCT: FIXED WINDOW

PART OR ASSEMBLY: FRAME ANCHORING & CROSS SECTIONS

| NO. | DATE    | BY  | REVISIONS                                  |
|-----|---------|-----|--|
| 1   | 6/15/20 | LFS | UPDATE TO 2018 IBC/IRC AND FOR NEW TESTING |

DATE: 2/20/14

SCALE: N.T.S.

DWG. BY: JK

CHK. BY: LFS

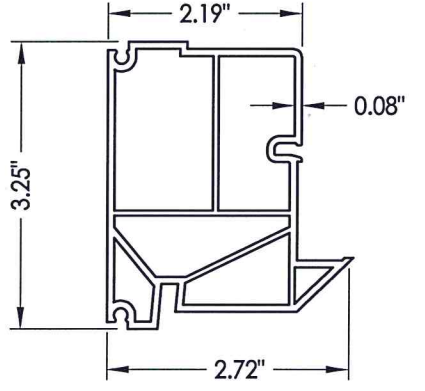
DRAWING NO.: TX-4307

SHEET 2 OF 3

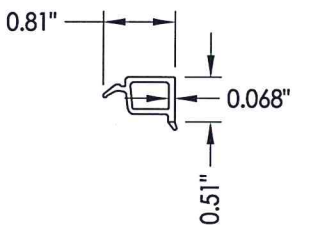
R:\Clients\Associated PERMANENT\B - Texas Dept of Ins\Fixed\WIN 532 Fixed Windows\C - Drawings\TX-4307.dwg, 3.1

| BILL OF MATERIALS |                                     |           |
|-------------------|-------------------------------------|-----------|
| ITEM #            | DESCRIPTION                         | MATERIAL  |
| B                 | 2X FRAMING (SG >= 0.42)             | WOOD      |
| C                 | 3/16" MAX. SHIM SPACE               | -         |
| F                 | #10 X 2-3/4" PPH SMS                | STEEL     |
| 1                 | EXTRUDED VINYL FRAME *              | RIGID PVC |
| 2                 | EXTRUDED VINYL GLAZING BEAD *       | RIGID PVC |
| 3                 | GLASS SETTING BLOCK                 | -         |
| 4                 | GLAZING SPACER                      | STEEL     |
| 5                 | GLAZING TAPE - DOUBLE SIDE ADHESIVE | -         |

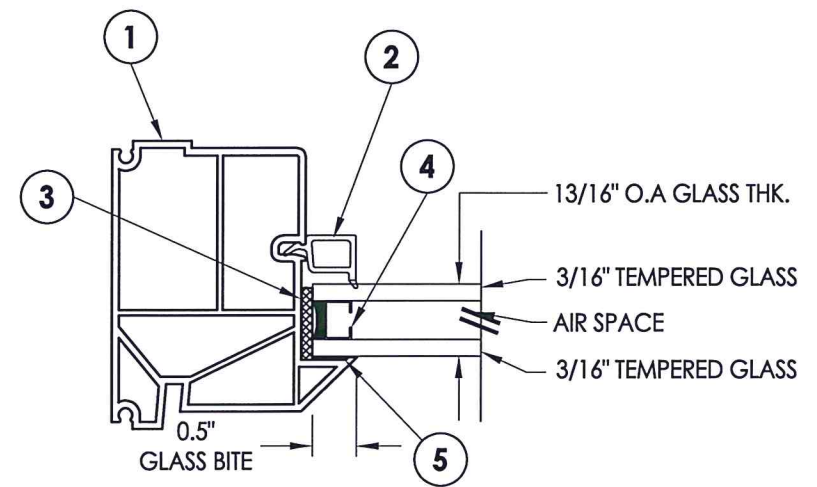
\* THE APPROVED WHITE RIGID PVC EXTERIOR EXTRUSIONS FOR WINDOWS ARE TO BE PRODUCED BY EXTRUDERS LICENSEES IN "AAMA CERTIFICATION PROGRAMS FOR RIGID PVC EXTRUSIONS".



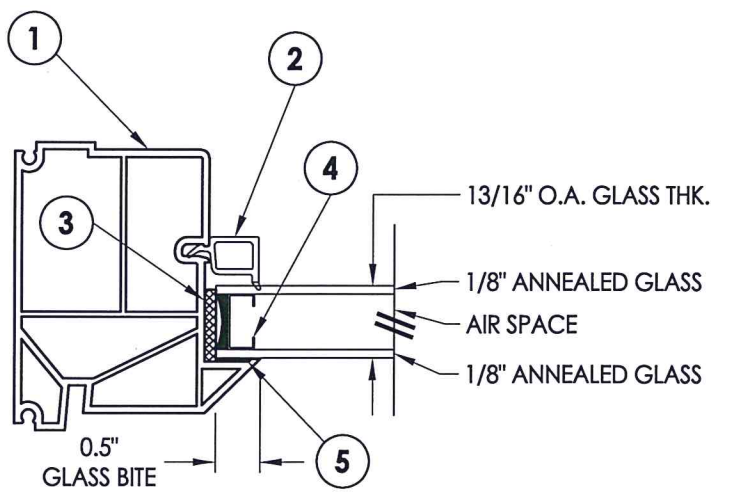
1 FRAME



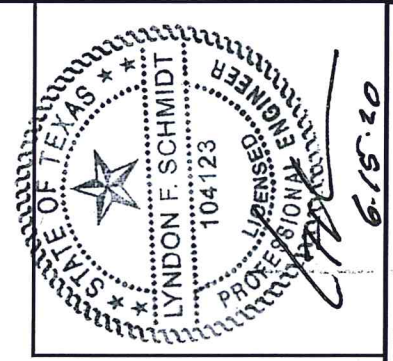
2 GLAZING BEAD



G1 GLAZING DETAIL



G2 GLAZING DETAIL



Documents Prepared By: Lyndon F. Schmidt, P.E.  
TEXAS P.E. #104123

**RW** BUILDING CONSULTANTS, INC.  
P.O. Box 230 Valrico FL 33595  
Phone No.: 813.659.9197

TEXAS BOARD OF PROFESSIONAL ENGINEERS  
CERTIFICATE OF REGISTRATION # F-11852

|  |   |      |
|--|---|------|
| PRODUCT:                                   | FIXED WINDOW                                    |      |
| PART OR ASSEMBLY:                          | BILL OF MATERIALS, GLAZING DETAILS & COMPONENTS |      |
| NO.  | DATE  | BY   |
| 1  | 6/15/20   | LFS  |
| UPDATE TO 2018 IBC/IRC AND FOR NEW TESTING |   |      |
| REVISIONS                                  |   |      |
| DATE:                                      | 2/20/14   |      |
| SCALE:                                     | N.T.S.  |      |
| DWG. BY:                                   | JK  |      |
| CHK. BY:                                   | LFS   |      |
| DRAWING NO.:                               | TX-4307   |      |
| SHEET                                      | 3   | OF 3 |

© 2014 R.W. BUILDING CONSULTANTS INC.