

REVISIONS			
REV	DESCRIPTION	DATE	APPROVED
A	REVISED PER NEW CODE	10/11/2021	R.L.

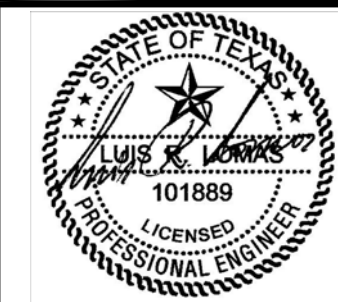
NOTES:

1. THE PRODUCT SHOWN HEREIN IS DESIGNED AND MANUFACTURED TO COMPLY WITH REQUIREMENTS OF THE 2018 IBC AND 2018 IRC.
2. WOOD FRAMING AND MASONRY OPENING TO BE DESIGNED AND ANCHORED TO PROPERLY TRANSFER ALL LOADS TO STRUCTURE. FRAMING AND MASONRY OPENING IS THE RESPONSIBILITY OF THE ARCHITECT OR ENGINEER OF RECORD.
3. 1X BUCK OVER MASONRY/CONCRETE IS OPTIONAL.
4. WHERE SHIM OR BUCK THICKNESS IS LESS THAN 1-1/2" UNITS MUST BE ANCHORED THROUGH THE FRAME IN ACCORDANCE WITH MANUFACTURER'S PUBLISHED INSTALLATION INSTRUCTIONS. ANCHORS SHALL BE SECURELY FASTENED DIRECTLY INTO MASONRY, CONCRETE OR OTHER STRUCTURAL SUBSTRATE MATERIAL.
5. WHERE WOOD BUCK THICKNESS IS 1-1/2" OR GREATER, BUCK SHALL BE SECURELY FASTENED TO MASONRY, CONCRETE OR OTHER STRUCTURAL SUBSTRATE. UNITS MAY BE ANCHORED THROUGH FRAME TO SECURED WOOD BUCK IN ACCORDANCE WITH MANUFACTURER'S PUBLISHED INSTALLATION INSTRUCTIONS.
6. WHERE 1X BUCK IS NOT USED DISSIMILAR MATERIALS MUST BE SEPARATED WITH APPROVED COATING OR MEMBRANE. SELECTION OF COATING OR MEMBRANE IS THE RESPONSIBILITY OF THE ARCHITECT OR ENGINEER OF RECORD.
7. BUCKS SHALL EXTEND BEYOND UNIT FRAME INTERIOR FACE SO THAT FULL FRAME SUPPORT IS PROVIDED.
8. SHIM AS REQUIRED AT EACH ANCHOR LOCATION WITH LOAD BEARING SHIM. SHIM WHERE SPACE OF 1/16" OR GREATER OCCURS. MAXIMUM ALLOWABLE SHIM STACK TO BE 1/4".
9. SHIMS SHALL BE LOCATED, APPLIED AND MADE FROM MATERIALS AND THICKNESS CAPABLE OF SUSTAINING APPLICABLE LOADS.
10. WIND LOAD DURATION FACTOR Cd=1.6 WAS USED FOR WOOD ANCHOR CALCULATIONS.
11. FRAME MATERIAL: EXTRUDED RIGID PVC.
12. UNITS MUST BE GLAZED PER ASTM E1300.
13. APPROVED IMPACT PROTECTIVE SYSTEM IS REQUIRED FOR THIS PRODUCT IN WIND BORNE DEBRIS REGIONS.
14. FOR ANCHORING THROUGH FRAME INTO WOOD FRAMING OR 2X BUCK USE #8 WOOD SCREWS WITH SUFFICIENT LENGTH TO ACHIEVE A 1 1/4" MINIMUM EMBEDMENT INTO SUBSTRATE. LOCATE ANCHORS AS SHOWN IN ELEVATIONS AND INSTALLATION DETAILS.
15. FOR ANCHORING THROUGH FRAME INTO MASONRY/CONCRETE USE 3/16" TAPCONS WITH SUFFICIENT LENGTH TO ACHIEVE A 1 1/4" MINIMUM EMBEDMENT INTO SUBSTRATE WITH 2" MINIMUM EDGE DISTANCE. LOCATE ANCHORS AS SHOWN IN ELEVATIONS AND INSTALLATION DETAILS.
16. FOR ANCHORING THROUGH FRAME INTO METAL STRUCTURE USE #8 SMS OR SELF DRILLING SCREWS WITH SUFFICIENT LENGTH TO ACHIEVE 3 THREADS MINIMUM BEYOND STRUCTURE INTERIOR WALL. LOCATE ANCHORS AS SHOWN IN ELEVATIONS AND INSTALLATION DETAILS.
17. ALL FASTENERS TO BE CORROSION RESISTANT.
18. INSTALLATION ANCHORS SHALL BE INSTALLED IN ACCORDANCE WITH ANCHOR MANUFACTURER'S INSTALLATION INSTRUCTIONS AND ANCHORS SHALL NOT BE USED IN SUBSTRATES WITH STRENGTHS LESS THAN THE MINIMUM STRENGTH SPECIFIED BELOW:
 - A. WOOD: MINIMUM SPECIFIC GRAVITY OF G=0.42
 - B. CONCRETE: MINIMUM COMPRESSIVE STRENGTH OF 2,000 PSI.
 - C. MASONRY: HOLLOW/FILLED BLOCK PER ASTM C90 WITH Fm=2,000PSI MINIMUM.
 - D. METAL STRUCTURE: STEEL 18GA (.048") FY=33KSI/FU=52KSI OR ALUMINUM 6063-T5 FU=30KSI 1/8" THICK MINIMUM

TABLE OF CONTENTS	
SHEET NO.	DESCRIPTION
1	NOTES
2	ELEVATION
3 - 4	INSTALLATION DETAILS
5	COMPONENTS

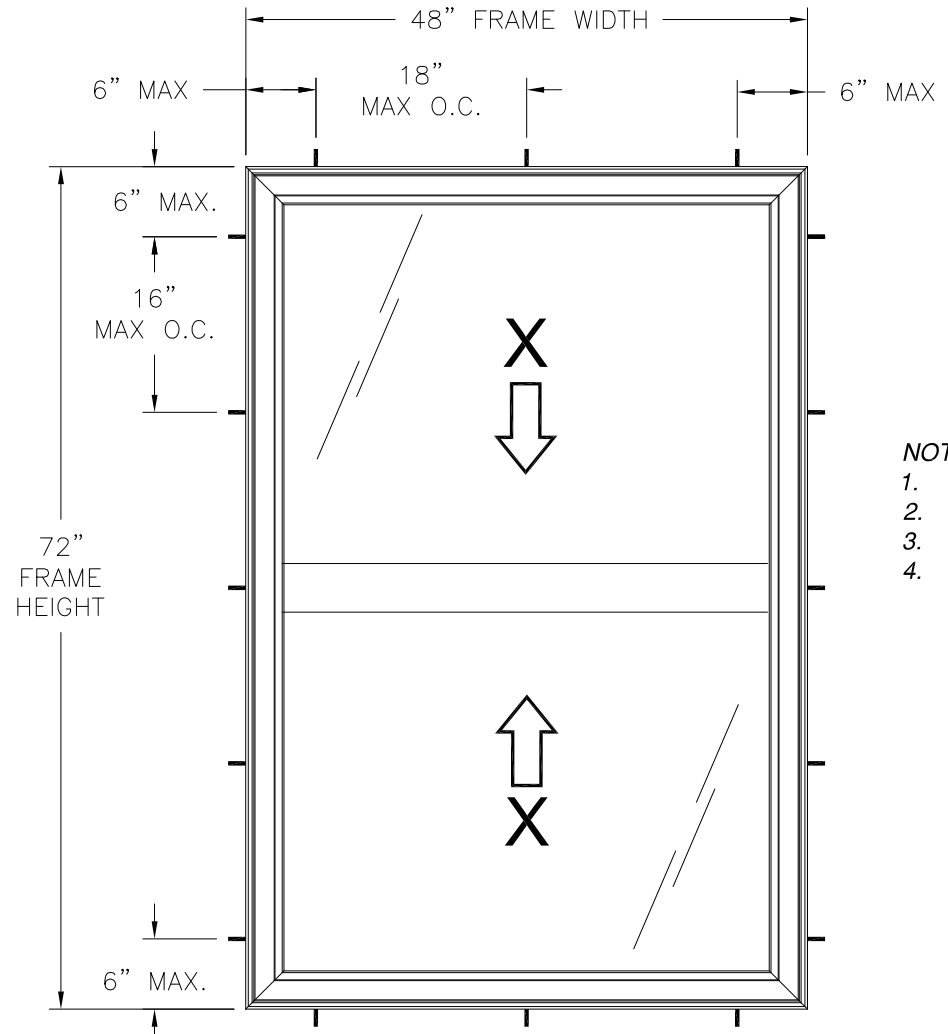
WINDOW MART 5760 ALBERT PIKE ROYAL, AR 71968		
2945 DOUBLE HUNG WINDOW 48" X 72" NON-IMPACT NOTES		
DRAWN: A.R.	DWG NO. 08-03463	REV A
SCALE NTS	DATE 07/03/19	SHEET 1 OF 5
L. ROBERTO LOMAS P.E. 1432 WOODFORD RD LEWISVILLE, NC 27023 434-688-0609 rllomas@rlomaspe.com		

SIGNED: 10/11/2021



Luis R. Lomas P.E.
TX No.: 101889

REVISIONS			
REV	DESCRIPTION	DATE	APPROVED
A	REVISED PER NEW CODE	10/11/2021	R.L.



- NOTES:**
1. EXTERIOR SASH SIZE: 44 1/8" X 34 3/16"
 2. INTERIOR SASH SIZE: 45 1/8" X 35 3/16"
 3. EXTERIOR SASH D.L.O.: 41 11/16" X 31 3/4"
 4. INTERIOR SASH D.L.O.: 42 11/16" X 32 3/4"

2945 DOUBLE HUNG WINDOW
EXTERIOR VIEW
FRAME INSTALLATION

DESIGN PRESSURE RATING	IMPACT RATING
±30.0PSF	NONE

48" X 72" UNIT SHOWN. OTHER SIZES APPROVED AS LONG AS FRAME AREA DOES NOT EXCEED 24.0 FT²

HARDWARE SCHEDULE

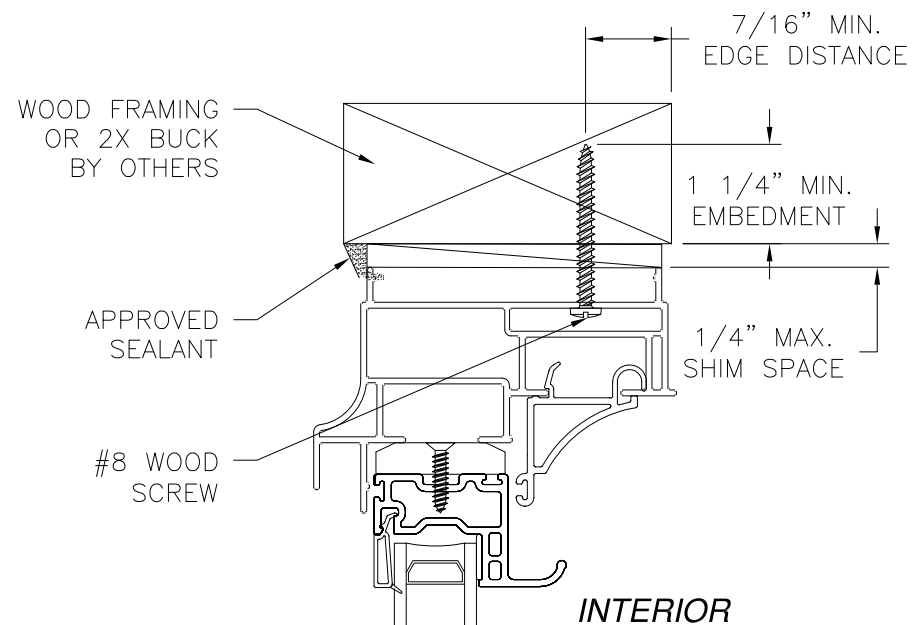
A.	(2) METAL CAM LOCK AT LOCK RAIL, 10" IN FROM EACH END
B.	(2) METAL KEEPER AT EXTERIOR MEETING RAIL, 9 3/8" IN FROM EACH END
C.	(4) CONSTANT FORCE BALANCE AT JAMBS, TWO AT EACH SIDE
D.	(4) METAL PIVOT BAR AT BOTTOM AND EXTERIOR MEETING RAILS, ONE AT EACH END
E.	(4) PLASTIC FLUSH MOUNTED TILT LATCH AT TOP RAIL AND LOCK RAIL, ONE AT EACH END
F.	ALUMINUM REINFORCEMENT (A6202) AT EXTERIOR MEETING RAIL
G.	ALUMINUM REINFORCEMENT (A6201) AT LOCK RAIL

SIGNED: 10/11/2021

WINDOW MART 5760 ALBERT PIKE ROYAL, AR 71968		
2945 DOUBLE HUNG WINDOW 48" X 72" NON-IMPACT ELEVATION		
DRAWN: A.R.	DWG NO. 08-03463	REV A
SCALE NTS	DATE 07/03/19	SHEET 2 OF 5
L. ROBERTO LOMAS P.E. 1432 WOODFORD RD LEWISVILLE, NC 27023 434-688-0609 rllomas@lrlomaspe.com		

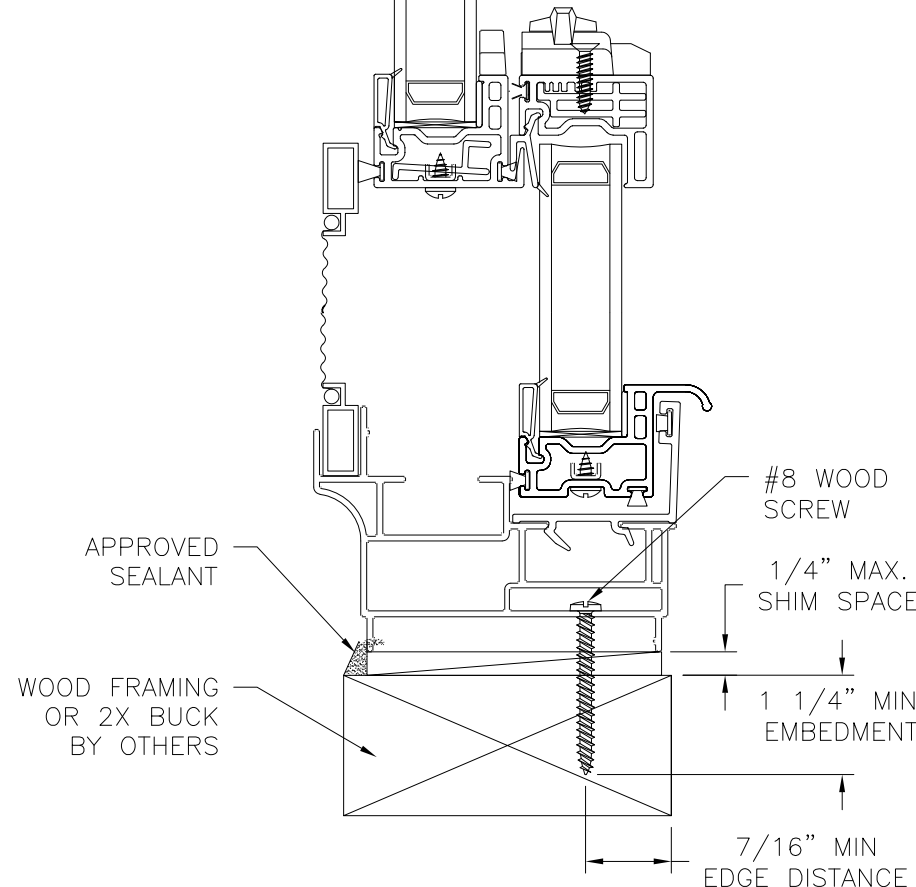


Luis R. Lomas P.E.
TX No.: 101889

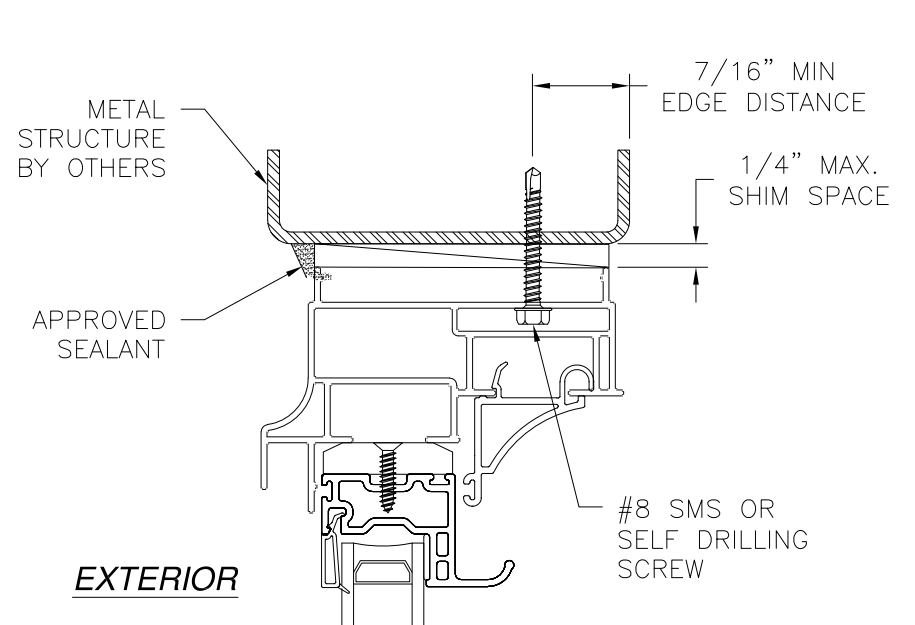


EXTERIOR

INTERIOR

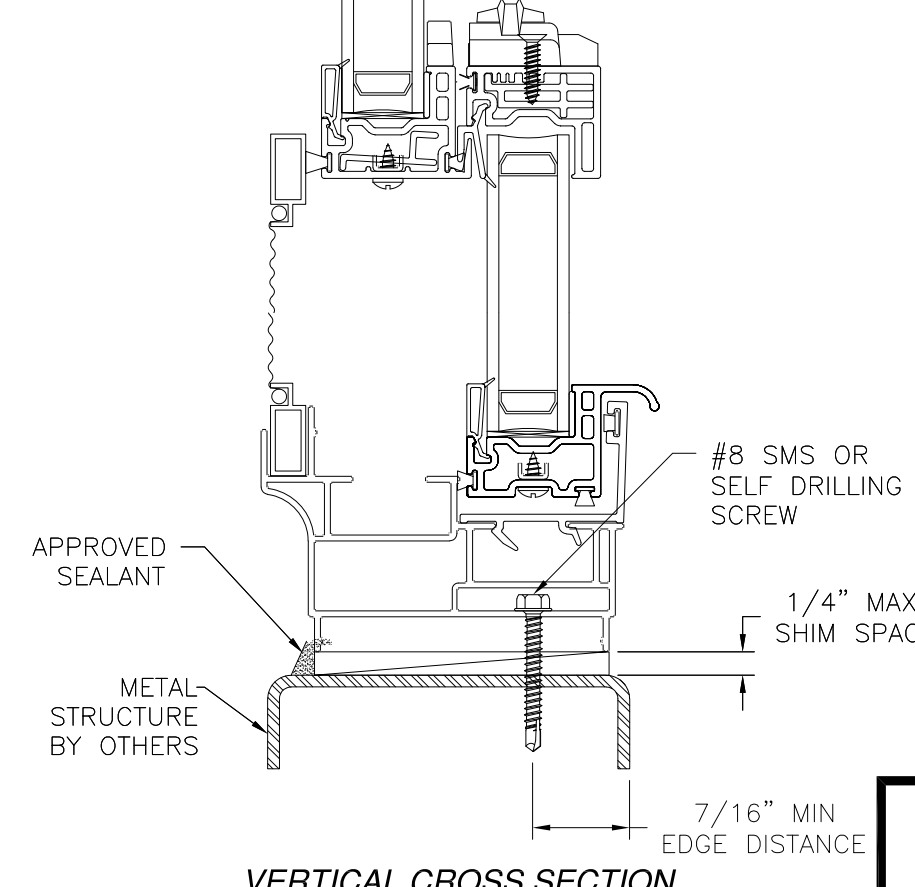


VERTICAL CROSS SECTION
WOOD FRAMING OR 2X BUCK INSTALLATION



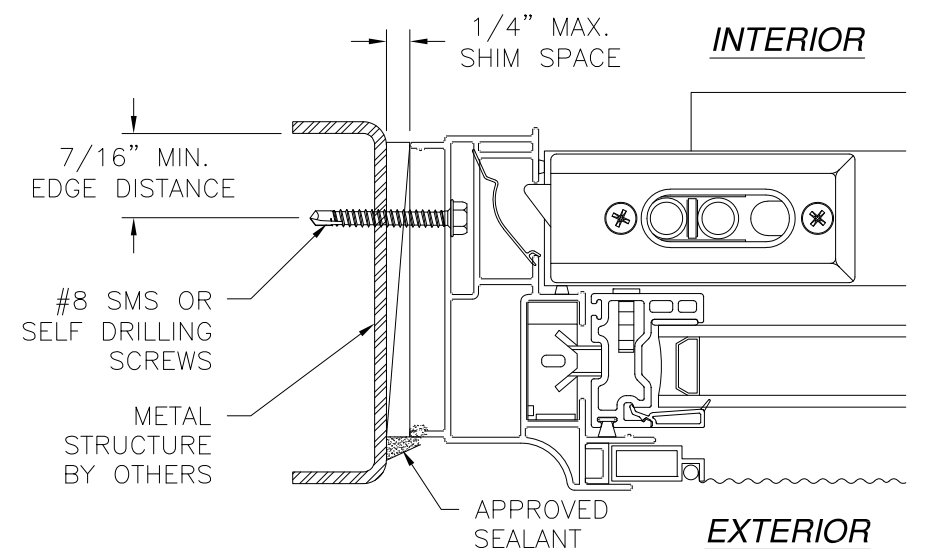
EXTERIOR

INTERIOR



VERTICAL CROSS SECTION
METAL STRUCTURE INSTALLATION

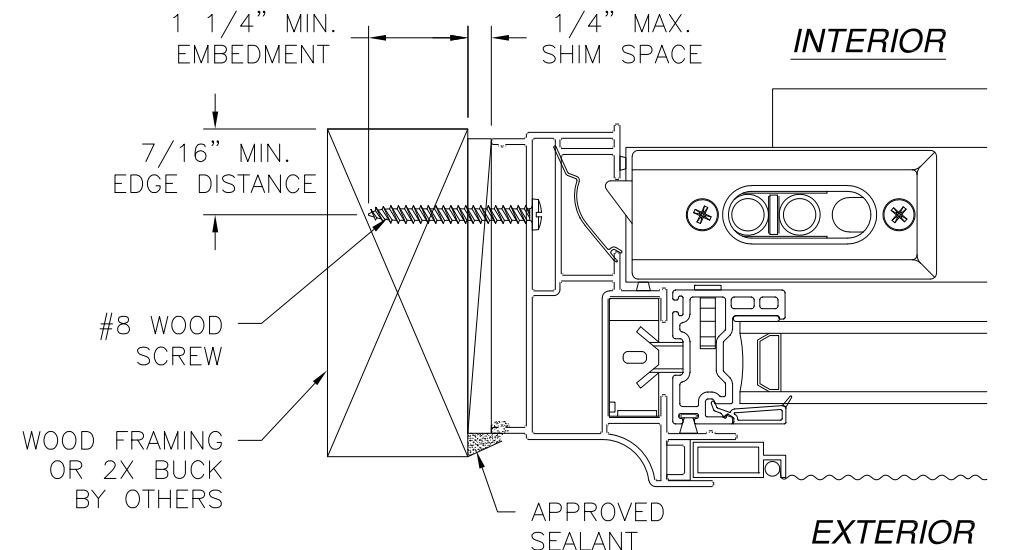
REVISIONS			
REV	DESCRIPTION	DATE	APPROVED
A	REVISED PER NEW CODE	10/11/2021	R.L.



INTERIOR

EXTERIOR

JAMB INSTALLATION DETAIL
METAL STRUCTURE INSTALLATION



INTERIOR

EXTERIOR

JAMB INSTALLATION DETAIL
WOOD FRAMING OR 2X BUCK INSTALLATION

SIGNED: 10/11/2021

NOTES:
1. INTERIOR AND EXTERIOR FINISHES, BY OTHERS, NOT SHOWN FOR CLARITY.
2. PERIMETER AND JOINT SEALANT BY OTHERS TO BE DESIGNED IN ACCORDANCE WITH ASTM E2112

WINDOW MART
5760 ALBERT PIKE
ROYAL, AR 71968

2945 DOUBLE HUNG WINDOW 48" X 72"
NON-IMPACT
INSTALLATION DETAILS

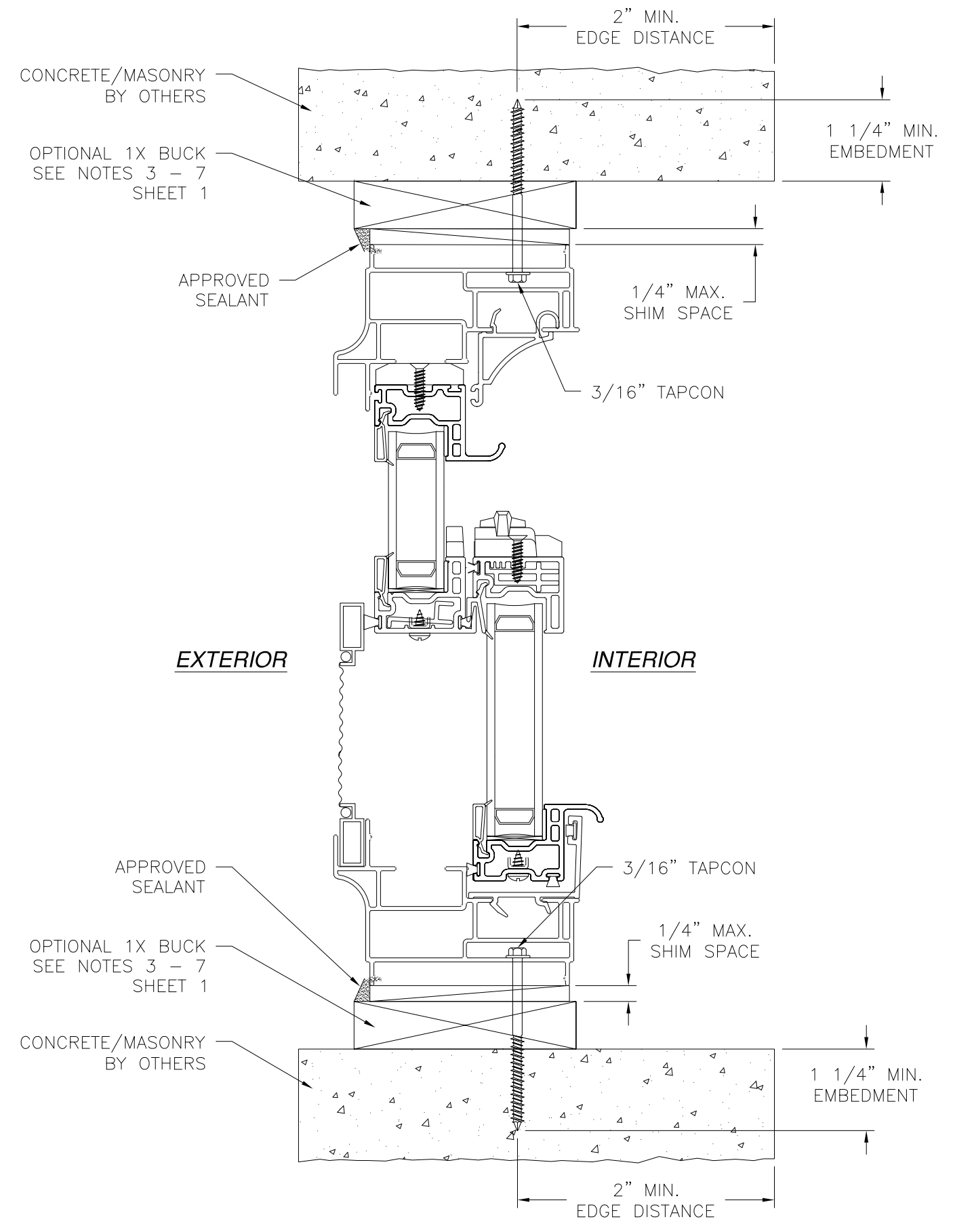
DRAWN: A.R.	DWG NO. 08-03463	REV A
SCALE NTS	DATE 07/03/19	SHEET 3 OF 5

L. ROBERTO LOMAS P.E.
1432 WOODFORD RD LEWISVILLE, NC 27023
434-688-0609 rllomas@rlomaspe.com

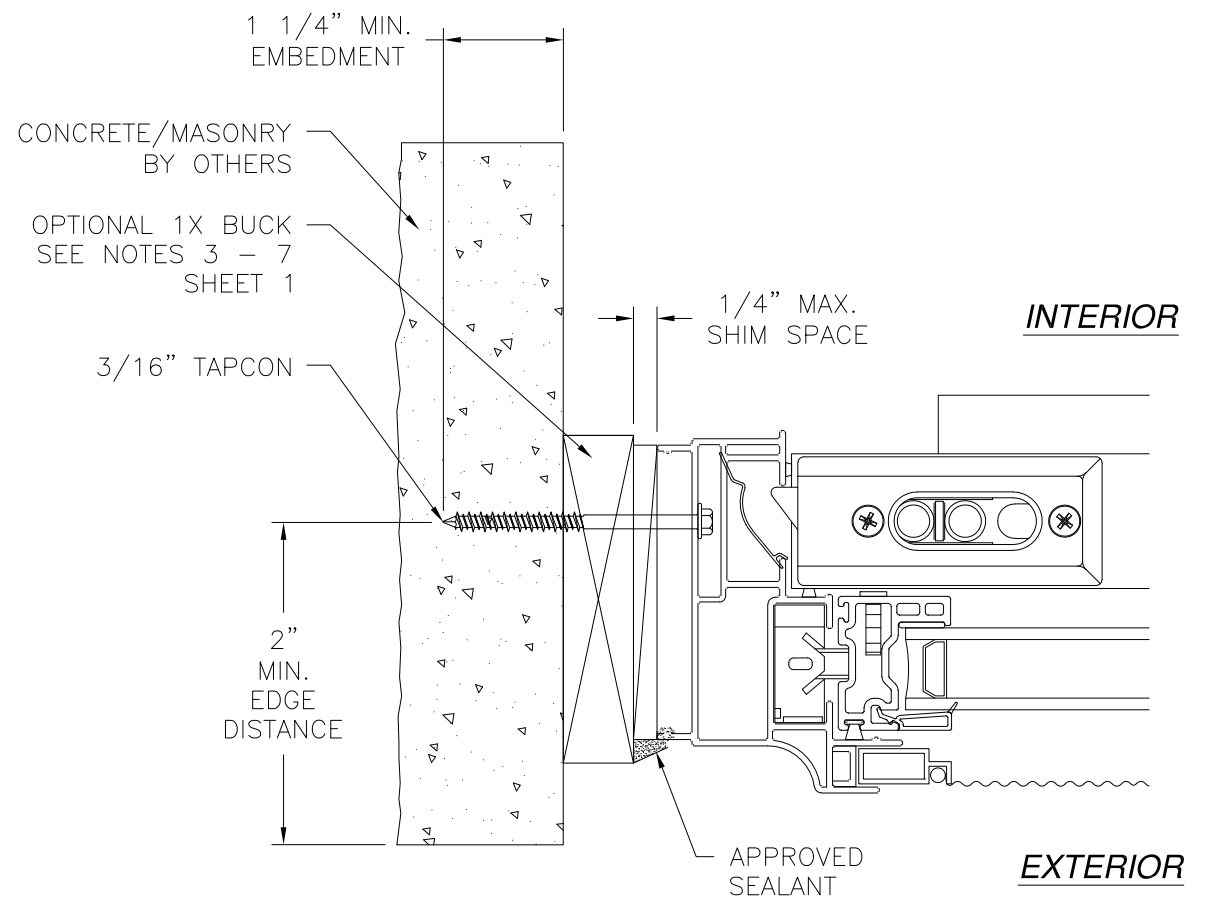


Luis R. Lomas P.E.
TX No.: 101889

REVISIONS			
REV	DESCRIPTION	DATE	APPROVED
A	REVISED PER NEW CODE	10/11/2021	R.L.



VERTICAL CROSS SECTION
CONCRETE/MASONRY INSTALLATION



JAMB INSTALLATION DETAIL
CONCRETE/MASONRY INSTALLATION

- NOTES:**
1. INTERIOR AND EXTERIOR FINISHES, BY OTHERS, NOT SHOWN FOR CLARITY.
 2. PERIMETER AND JOINT SEALANT BY OTHERS TO BE DESIGNED IN ACCORDANCE WITH ASTM E2112

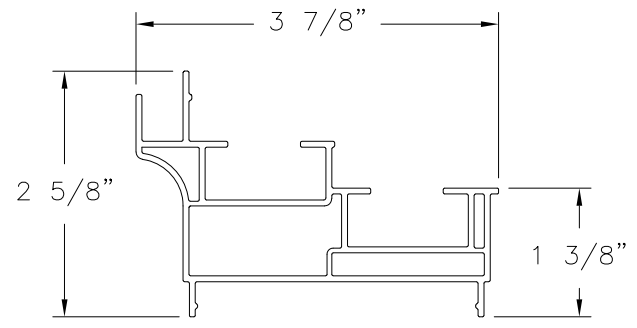
SIGNED: 10/11/2021

WINDOW MART 5760 ALBERT PIKE ROYAL, AR 71968		
2945 DOUBLE HUNG WINDOW 48" X 72" NON-IMPACT INSTALLATION DETAILS		
DRAWN: A.R.	DWG NO. 08-03463	REV A
SCALE NTS	DATE 07/03/19	SHEET 4 OF 5
L. ROBERTO LOMAS P.E. 1432 WOODFORD RD LEWISVILLE, NC 27023 434-688-0609 rllomas@rlomaspe.com		

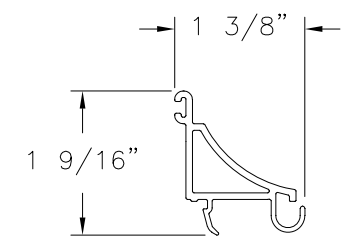


Luis R. Lomas P.E.
TX No.: 101889

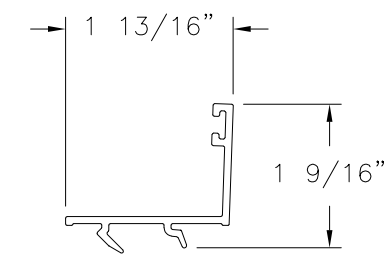
REVISIONS			
REV	DESCRIPTION	DATE	APPROVED
A	REVISED PER NEW CODE	10/11/2021	R.L.



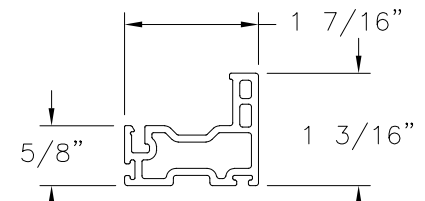
MAIN FRAME
EXTRUDED PVC (10005019)



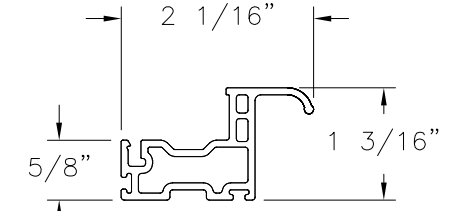
HEAD ADAPTER
EXTRUDED PVC (10005119)



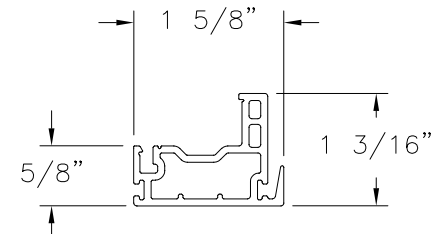
SILL ADAPTER
EXTRUDED PVC (10005126)



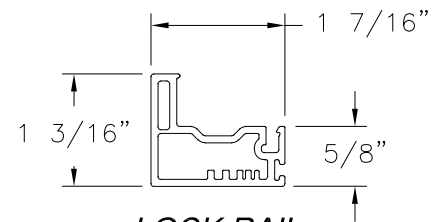
STILE
EXTRUDED PVC (10005510)



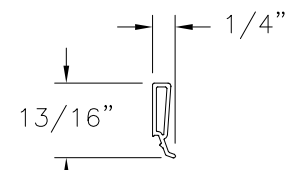
TOP/BOTTOM RAIL
EXTRUDED PVC (10005480)



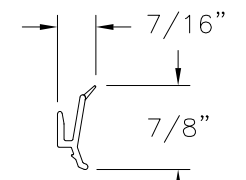
KEEPER RAIL
EXTRUDED PVC (10005515)



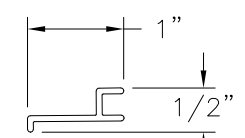
LOCK RAIL
EXTRUDED PVC (10005514)



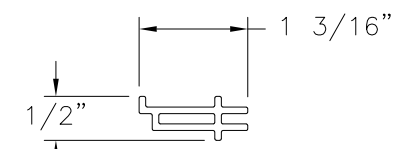
GLAZING BEAD
EXTRUDED PVC (10005470)



INTERLOCK GLAZING BEAD
EXTRUDED PVC (10005551)



MEETING RAIL REINFORCEMENT
ALUMINUM (A6202)



LOCK RAIL REINFORCEMENT
ALUMINUM (A6201)

WINDOW MART
5760 ALBERT PIKE
ROYAL, AR 71968

2945 DOUBLE HUNG WINDOW 48" X 72"
NON-IMPACT
COMPONENTS

DRAWN: A.R.	DWG NO. 08-03463	REV A
SCALE NTS	DATE 07/03/19	SHEET 5 OF 5

L. ROBERTO LOMAS P.E.
1432 WOODFORD RD LEWISVILLE, NC 27023
434-688-0609 rllomas@lrlomaspe.com

SIGNED: 10/11/2021



Luis R. Lomas P.E.
TX No.: 101889