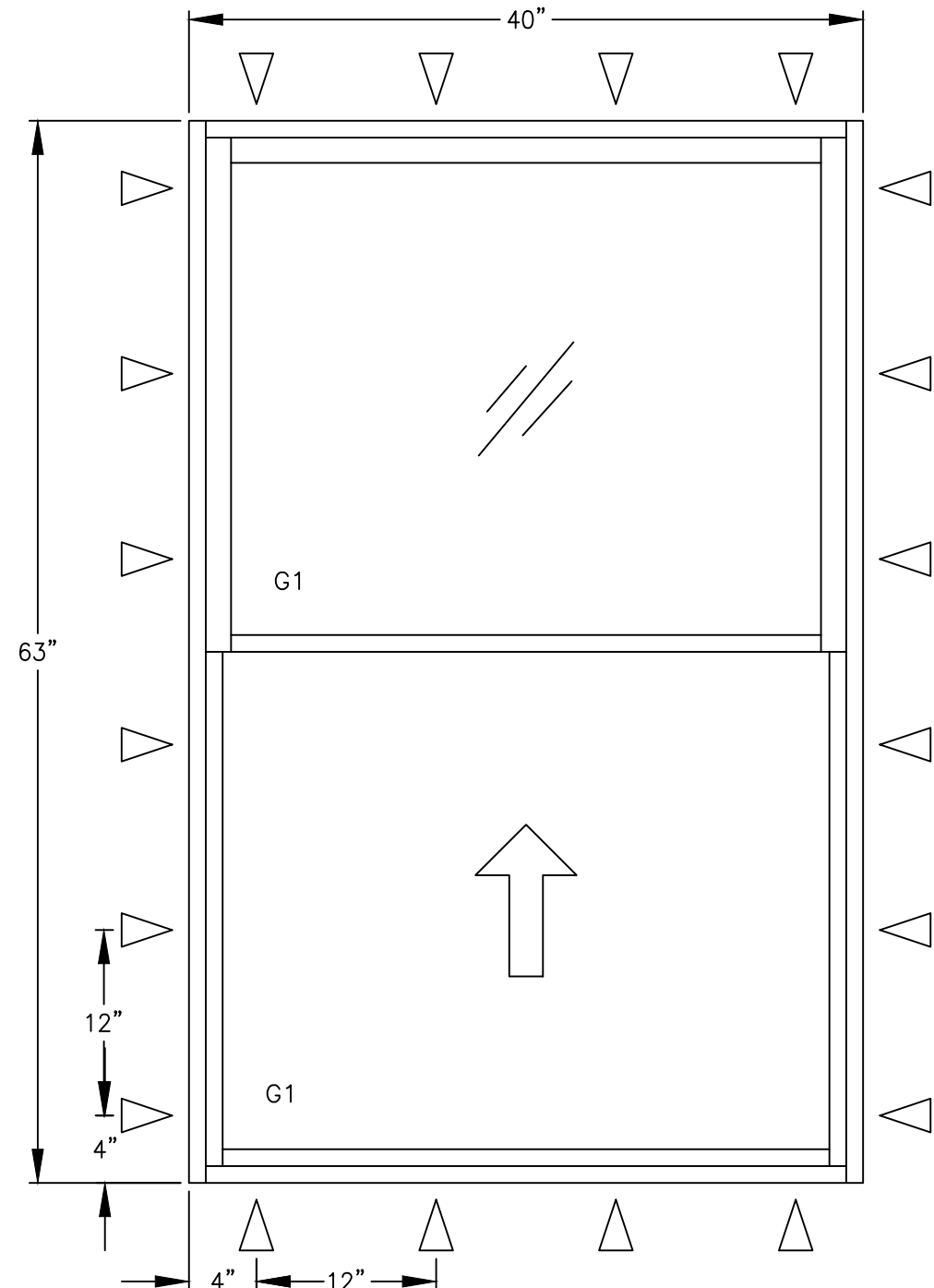
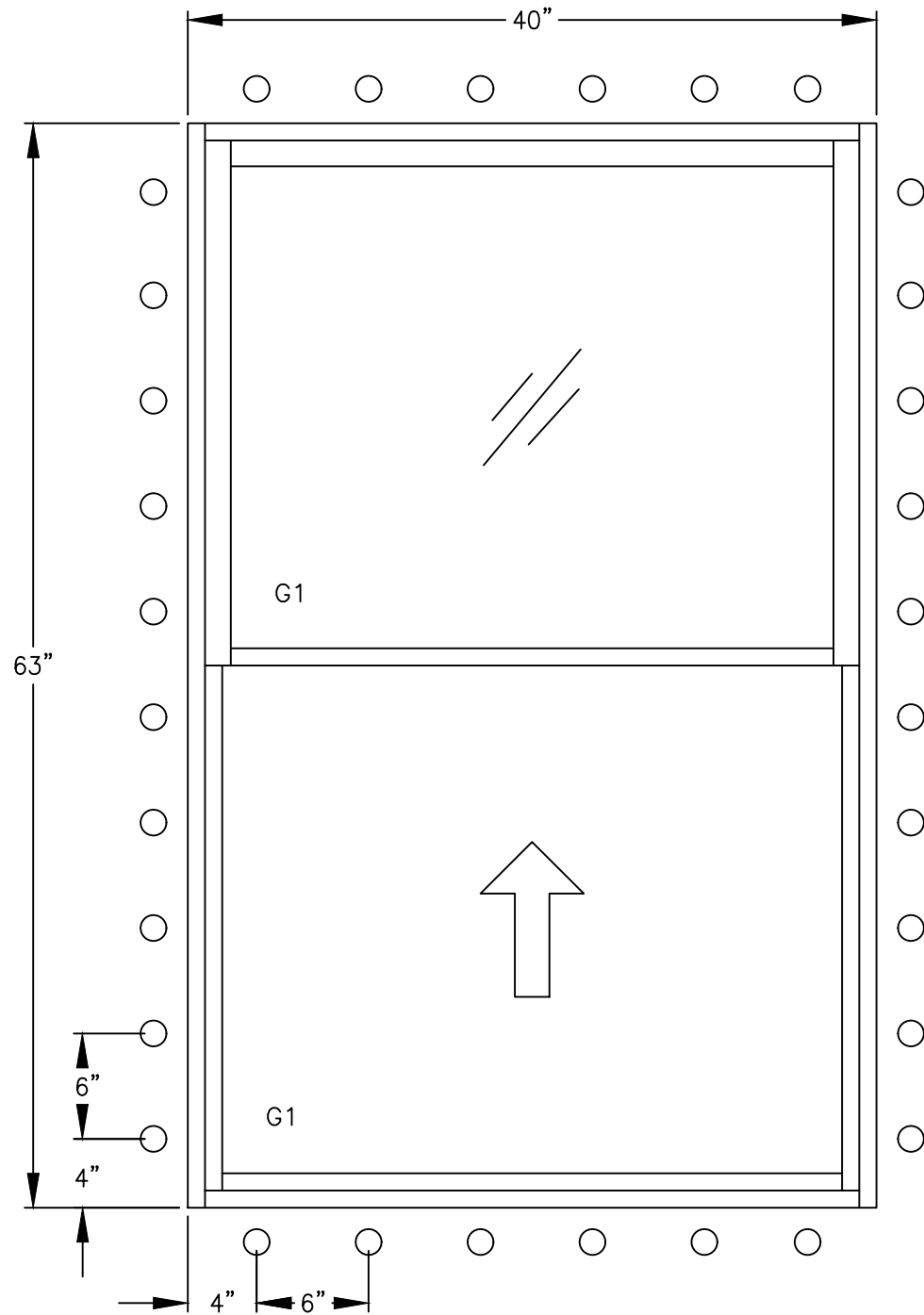


46000 ALUMINUM SINGLE HUNG WINDOW (NON-IMPACT)
 MAXIMUM SIZE: 40" WIDE X 63" TALL
 MAXIMUM GLAZING SIZE: 36-1/2" WIDE X 28-3/4" TALL
 DESIGN PRESSURE: +50/-50 PSF

NOTES:

1. Products and installations depicted satisfy the requirements of the 2018 International Building Code for design wind pressures and overall sizes noted.
2. Wood bucks, wood framing, steel stud framing, concrete and concrete masonry are by others and shall be designed by the architect or engineer of record to resist the loads imparted to them.
3. Wood buck strips and wood frames are assumed S-P-F (G=0.42) or denser. Buck width shall be greater than the frame width. Tapered or partial width buck strips are not allowed.
4. Concrete masonry installations are assumed at least ASTM C90 normal weight hollow masonry units with a 1-1/4" wall thickness or normal weight concrete with a minimum compressive strength of $f'c = 3,000$ psi.
5. Metal stud frames are assumed to be a minimum 18 gauge 33 KSI steel.
6. Wood screws shall be corrosion resistant and meet the requirements of ANSI/ASME B18.6.1
7. Tapcon masonry anchors shall have a minimum embedment of 1-1/2" or full penetration of concrete masonry unit shell. They shall also have a minimum of 2" edge distance. Install concrete masonry anchors per manufacturer's installation instructions.
8. TEKS screws shall be corrosion resistant and shall be ASTM A510 Grade 1018 or equivalent.
9. Maximum permitted shim thickness is 1/4". Shims shall be non-compressible and load bearing type. Every through-frame fastener shall have a shim.
10. Products are not impact resistant and will require approved protection devices if used in wind-borne debris regions.



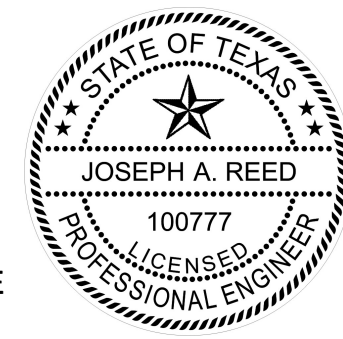
○ NAIL FIN ANCHOR
 (SEE SHEETS 3 TO 5)

△ THROUGH-FRAME ANCHOR
 (SEE SHEETS 6 TO 9)

CONTENTS:

Sheets 1-2	Notes and Elevations
Sheets 3-5	Fin Installation
Sheets 6-9	Through-Frame Installation
Sheet 10	Glazing Details

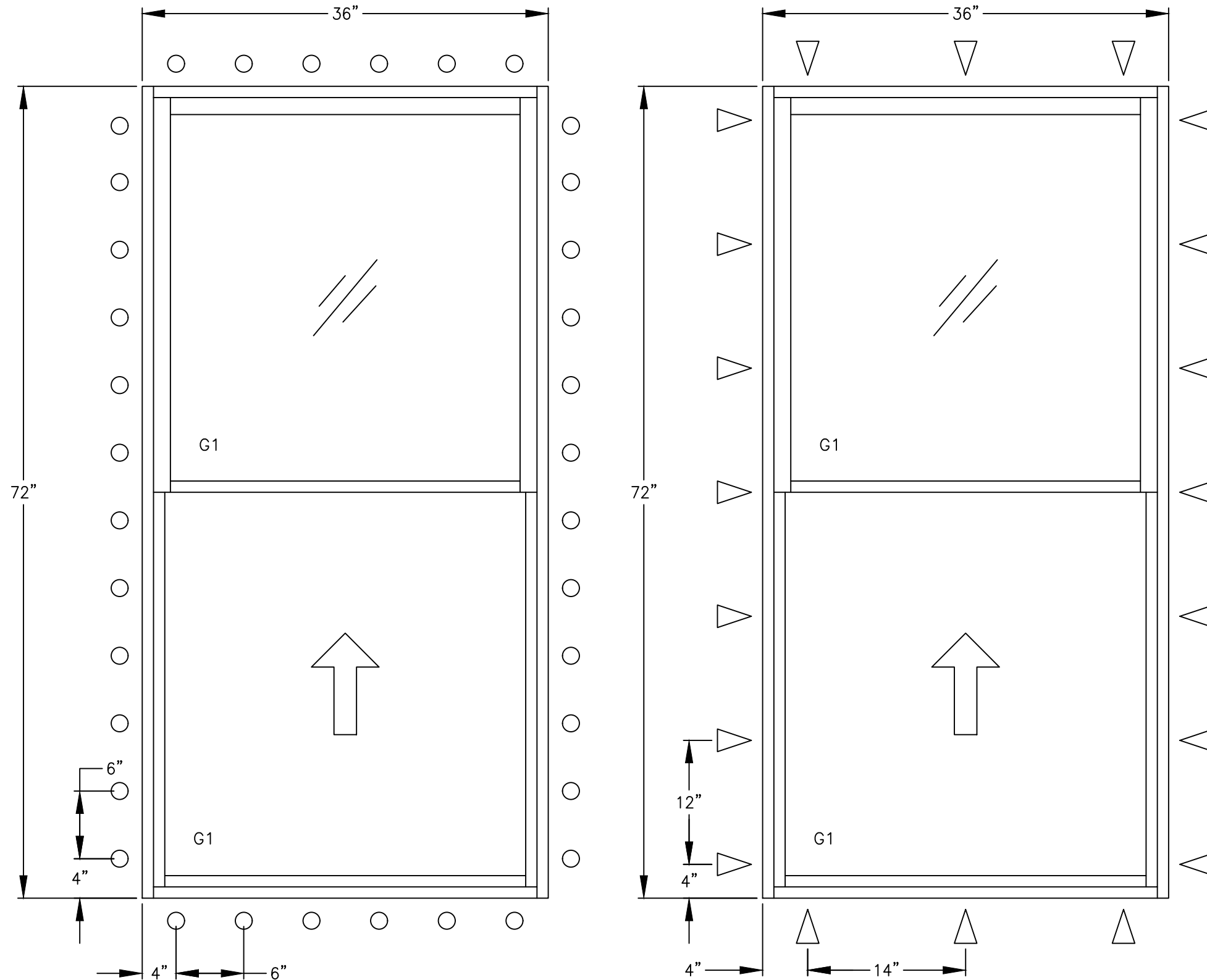
Joseph A. Reed, PE
 TX PE 100777
 TX FIRM F-23134
 5 Leigh Dr.
 York, PA 17406
 717-846-1200



Joseph A. Reed
 2022.01.31 09:15:46 -05'00'

46000 Single Hung - non-Impact Notes and Elevations	
TAFCO Corporation 1953 North 17th Avenue Melrose Park, IL 60160	
Drawing No.: 24888-1-1001 Project No.: 24888-1 Drawn By: JAR Rev: - Date: 01/31/22	
Scale: NTS	Sheet 1 of 10

46000 ALUMINUM SINGLE HUNG WINDOW (NON-IMPACT)
 SIZE: 36" WIDE X 72" TALL
 MAXIMUM GLAZING SIZE: 32-1/2" WIDE X 33" TALL
 DESIGN PRESSURE: +40/-40 PSF (+50/-50 PSF STRUCTURAL)



○ NAIL FIN ANCHOR
 (SEE SHEETS 3 TO 5)

△ THROUGH-FRAME ANCHOR
 (SEE SHEETS 6 TO 9)



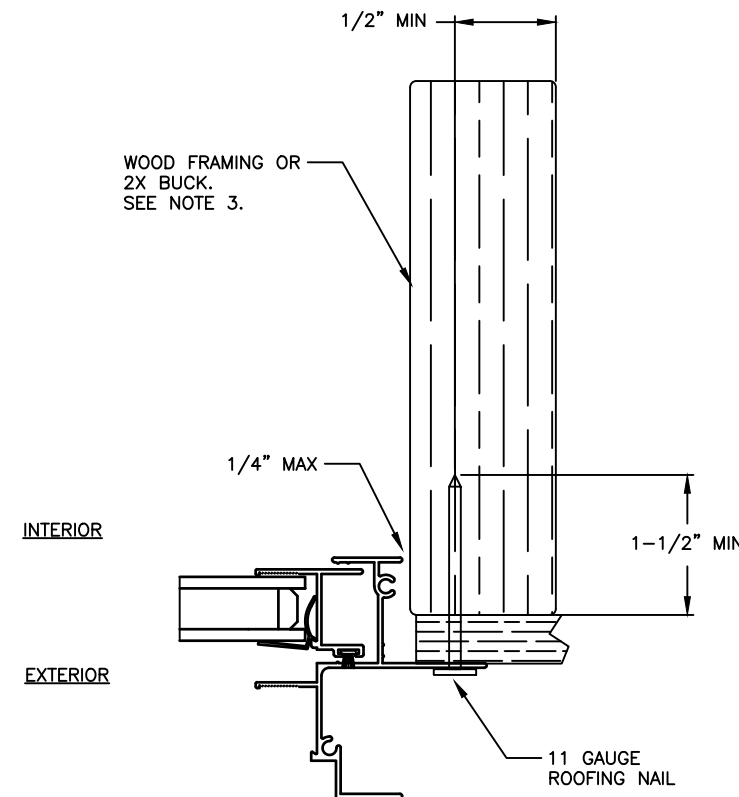
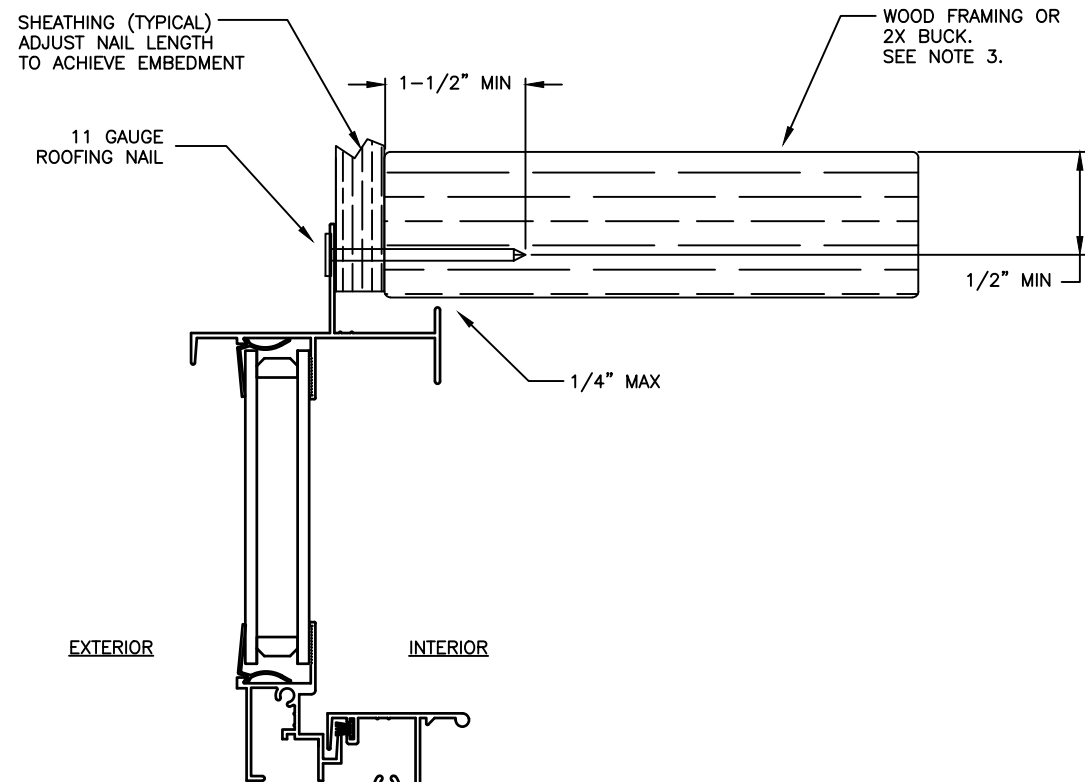
Joseph A. Reed, PE
 TX PE 100777
 TX FIRM F-23134
 5 Leigh Dr.
 York, PA 17406
 717-846-1200

Joseph A. Reed

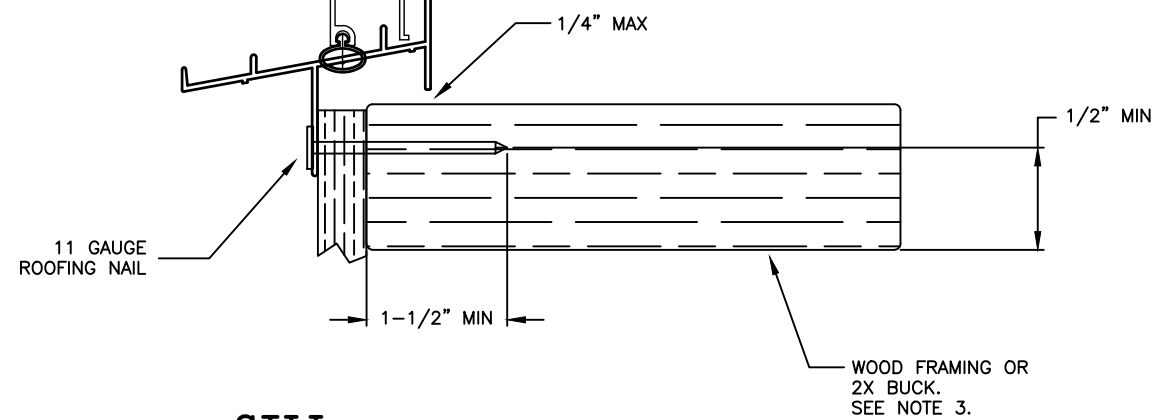
2022.01.31 09:15:46 -05'00'

46000 Single Hung - non-Impact Notes and Elevations	
TAFCO Corporation 1953 North 17th Avenue Melrose Park, IL 60160	
Drawing No.: 24888-1-1001 Project No.: 24888-1 Drawn By: JAR Rev: - Date: 01/31/22	
Scale: NTS	Sheet 2 of 10

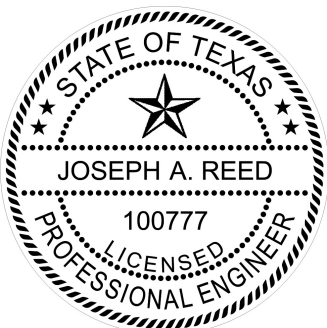
HEAD



JAMB



SILL



Joseph A. Reed, PE
 TX PE 100777
 TX FIRM F-23134
 5 Leigh Dr.
 York, PA 17406
 717-846-1200

Joseph A. Reed

2022.01.31 09:15:46 -05'00'

46000 Single Hung - non-Impact
 Fin Installation
 Wood

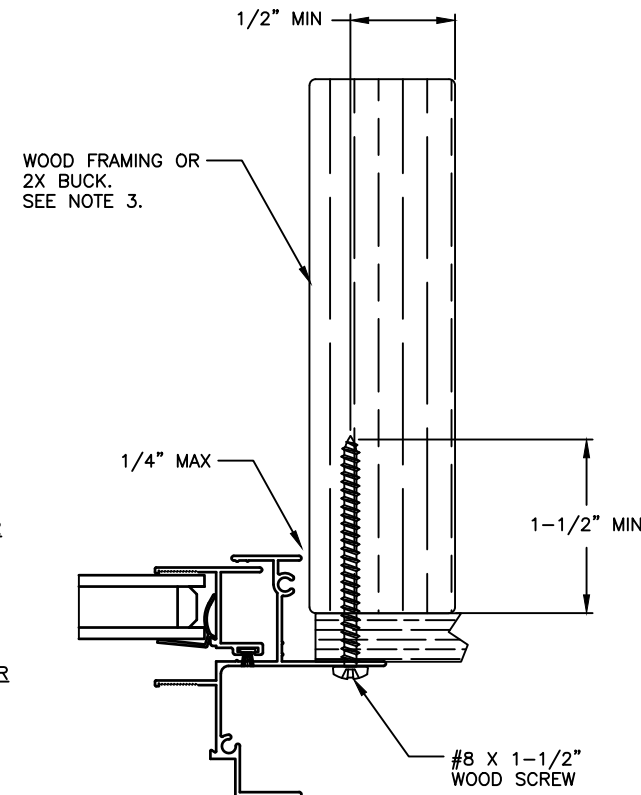
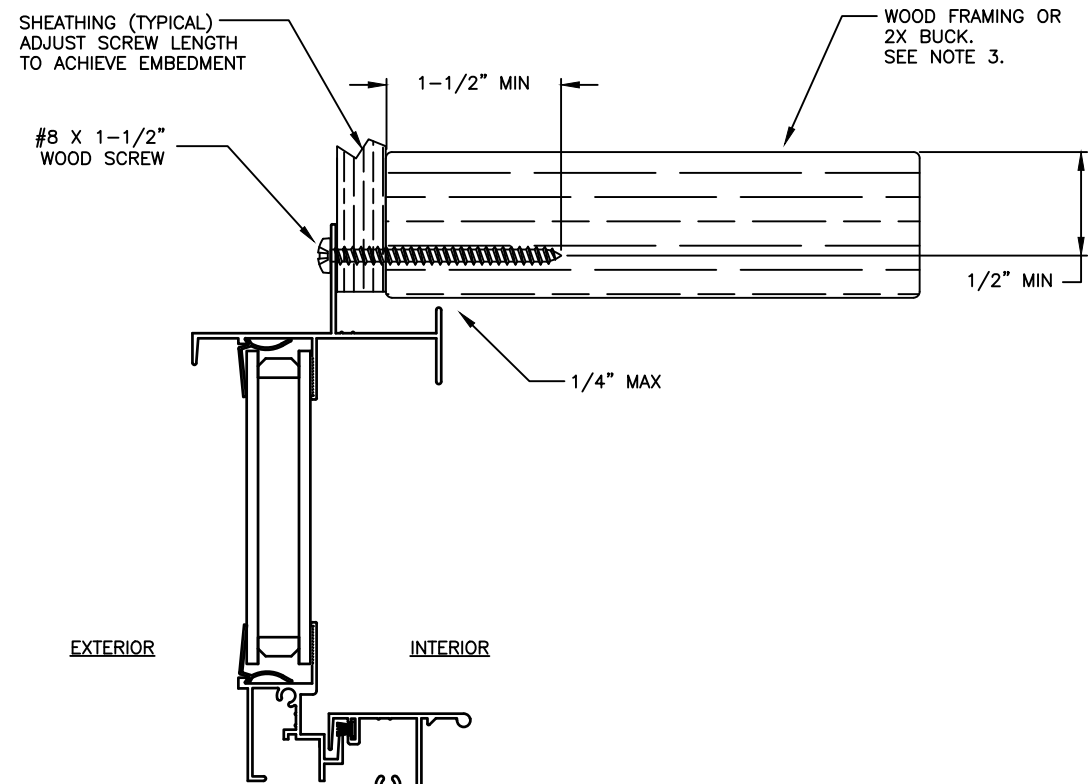
TAFCO Corporation
 1953 North 17th Avenue
 Melrose Park, IL 60160

Drawing No.: 24888-1-1001
 Project No.: 24888-1
 Drawn By: JAR Rev: - Date: 01/31/22

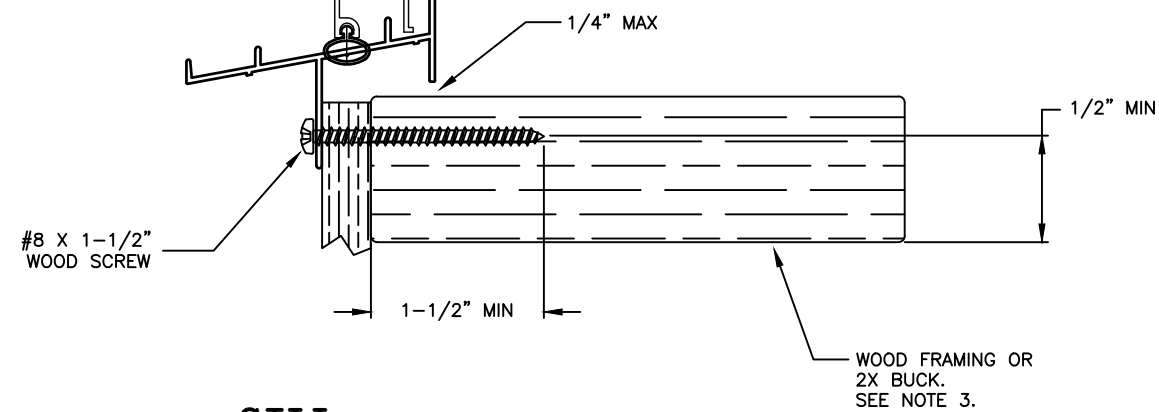
Scale: NTS

Sheet 3 of 10

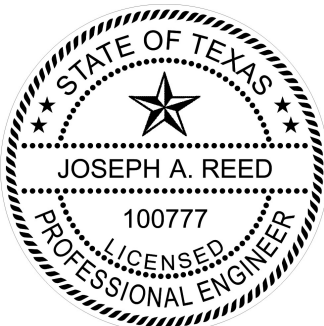
HEAD



JAMB



SILL



Joseph A. Reed, PE
 TX PE 100777
 TX FIRM F-23134
 5 Leigh Dr.
 York, PA 17406
 717-846-1200

Joseph A. Reed

2022.01.31 09:15:46 -05'00'

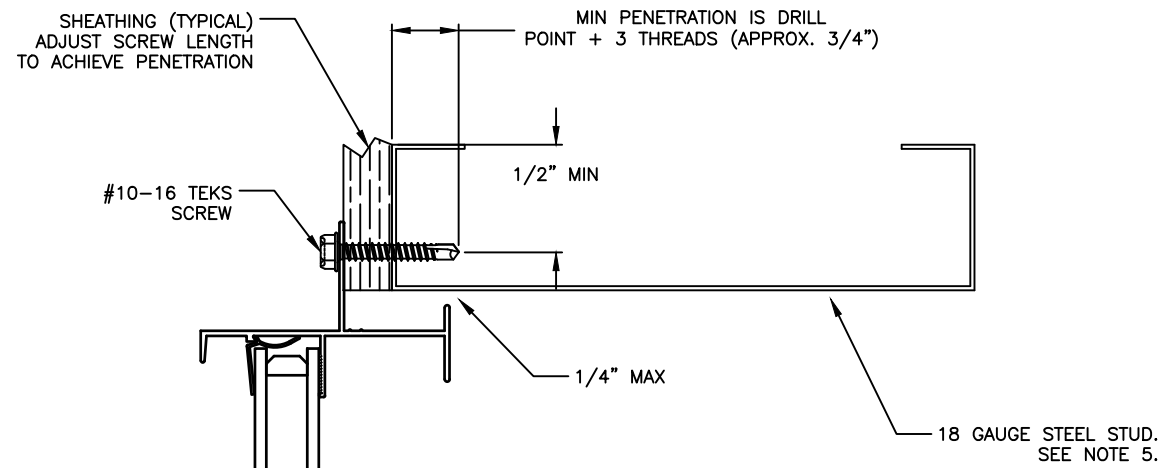
**46000 Single Hung - non-Impact
 Fin Installation
 Wood**

TAFCO Corporation
 1953 North 17th Avenue
 Melrose Park, IL 60160

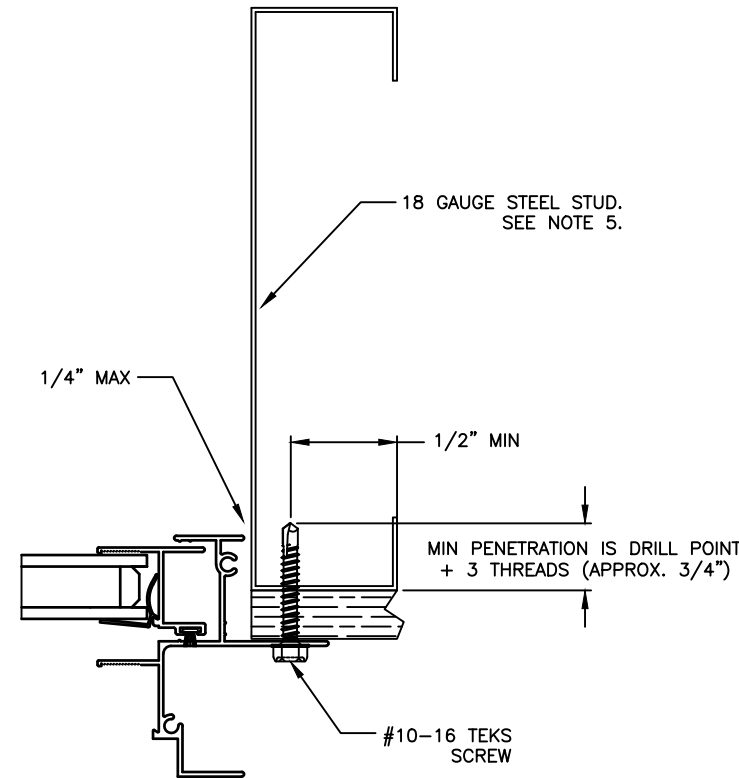
Drawing No.: 24888-1-1001
 Project No.: 24888-1
 Drawn By: JAR Rev: - Date: 01/31/22

Scale: NTS Sheet 4 of 10

HEAD

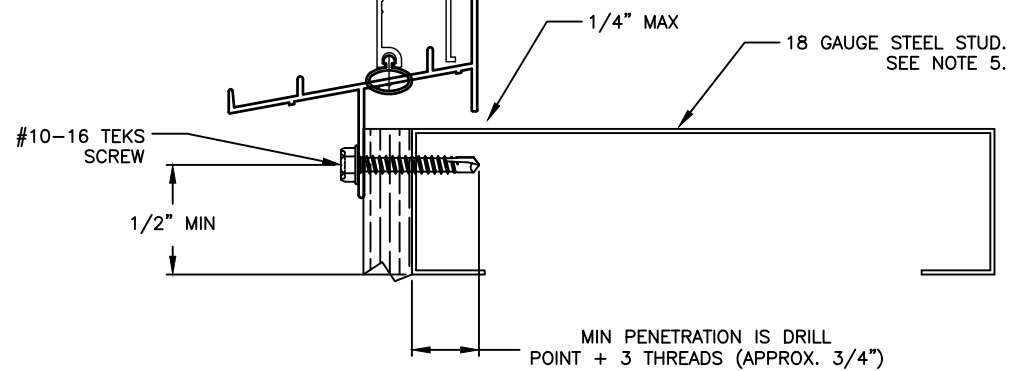


EXTERIOR INTERIOR

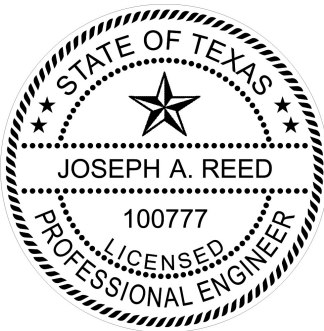


INTERIOR
EXTERIOR

JAMB



SILL



Joseph A. Reed, PE
TX PE 100777
TX FIRM F-23134
5 Leigh Dr.
York, PA 17406
717-846-1200

Joseph A. Reed

2022.01.31 09:15:46 -05'00'

46000 Single Hung - non-Impact
Fin Installation
Steel Stud

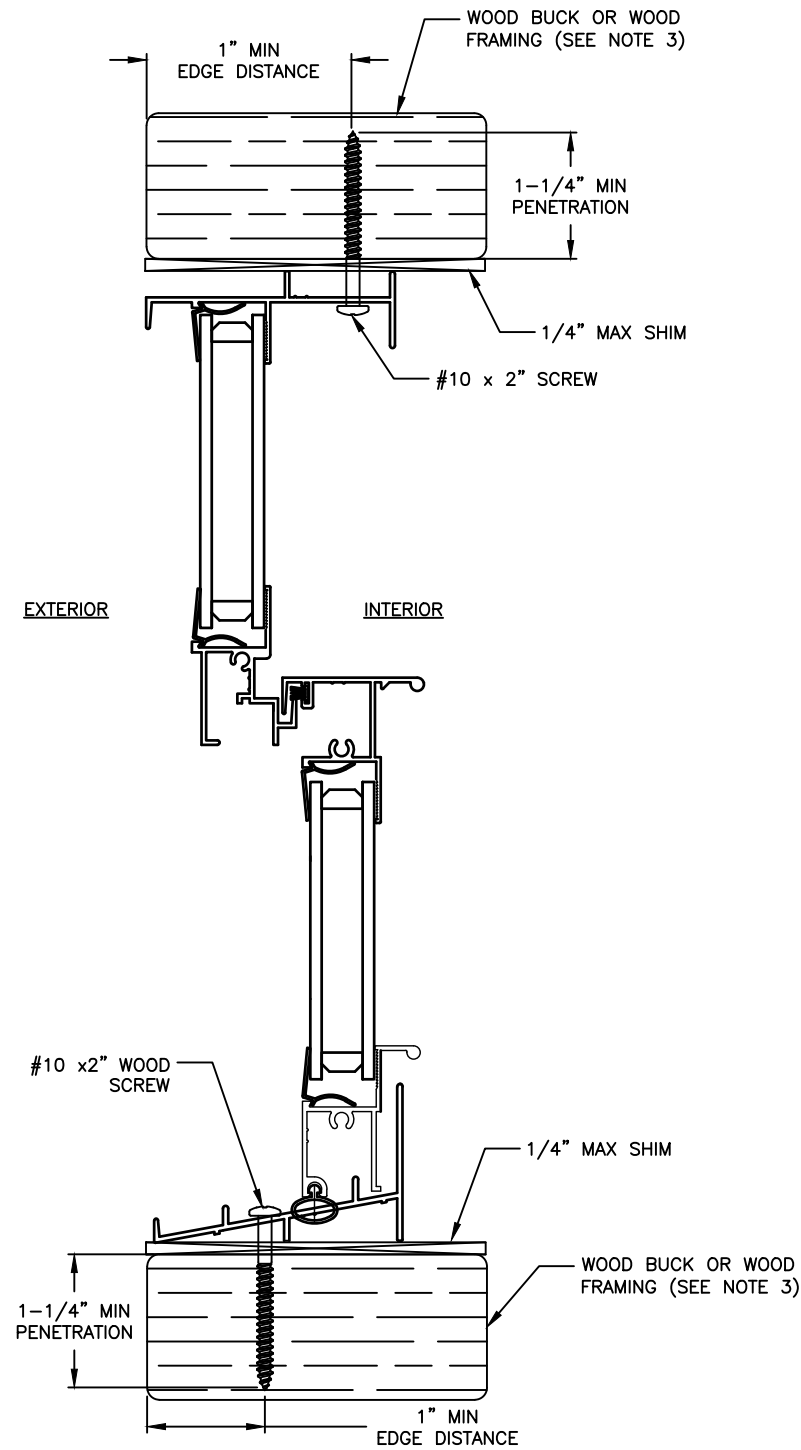
TAFCO Corporation
1953 North 17th Avenue
Melrose Park, IL 60160

Drawing No.: 24888-1-1001
Project No.: 24888-1
Drawn By: JAR Rev: - Date: 01/31/22

Scale: NTS

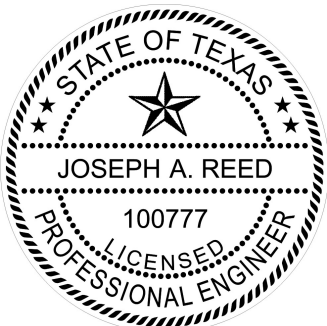
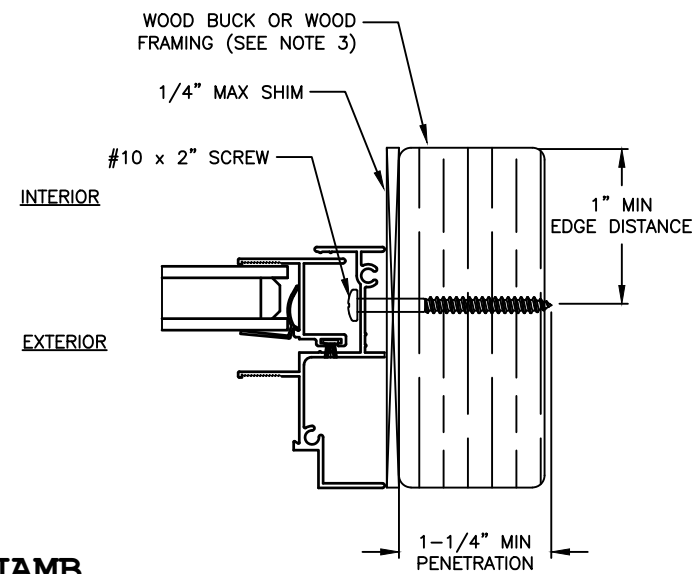
Sheet 5 of 10

HEAD



SILL

JAMB



Joseph A. Reed, PE
 TX PE 100777
 TX FIRM F-23134
 5 Leigh Dr.
 York, PA 17406
 717-846-1200

Joseph A. Reed

2022.01.31 09:15:46 -05'00'

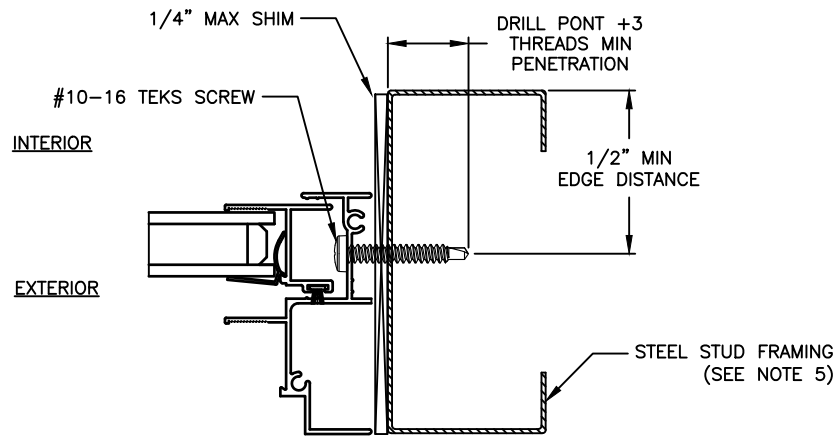
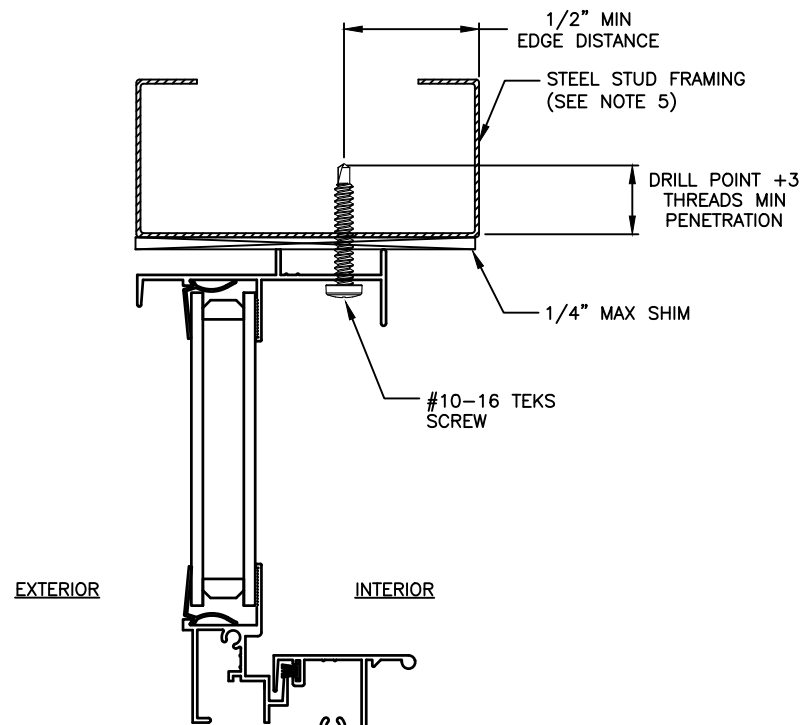
46000 Single Hung - non-Impact
 Through-Frame Installation
 Wood

TAFCO Corporation
 1953 North 17th Avenue
 Melrose Park, IL 60160

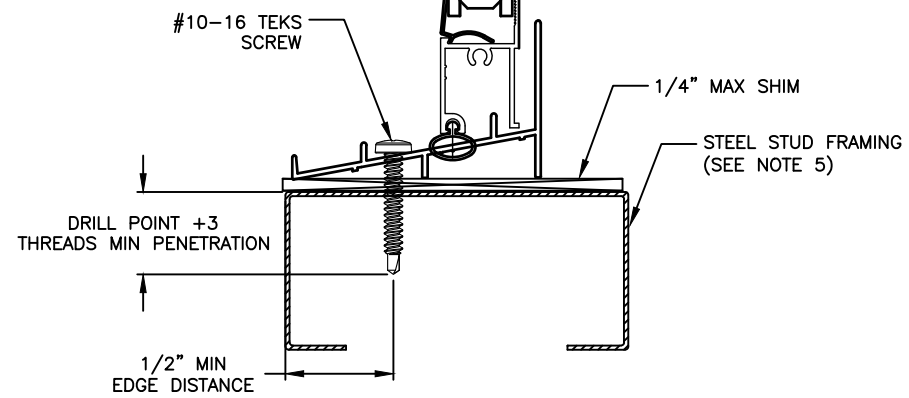
Drawing No.: 24888-1-1001
 Project No.: 24888-1
 Drawn By: JAR Rev: - Date: 01/31/22

Scale: NTS Sheet 6 of 10

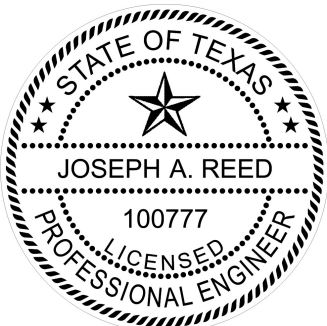
HEAD



JAMB



SILL



Joseph A. Reed, PE
 TX PE 100777
 TX FIRM F-23134
 5 Leigh Dr.
 York, PA 17406
 717-846-1200

Joseph A. Reed

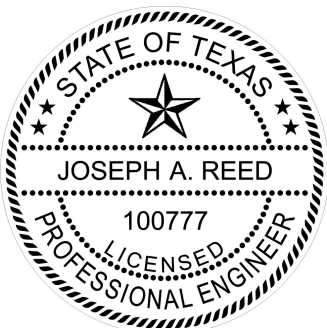
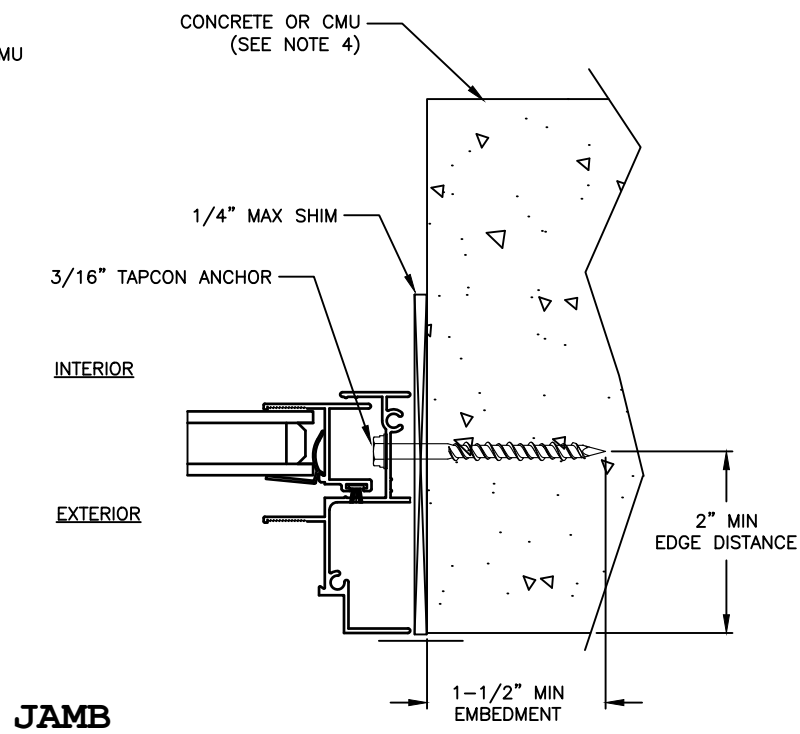
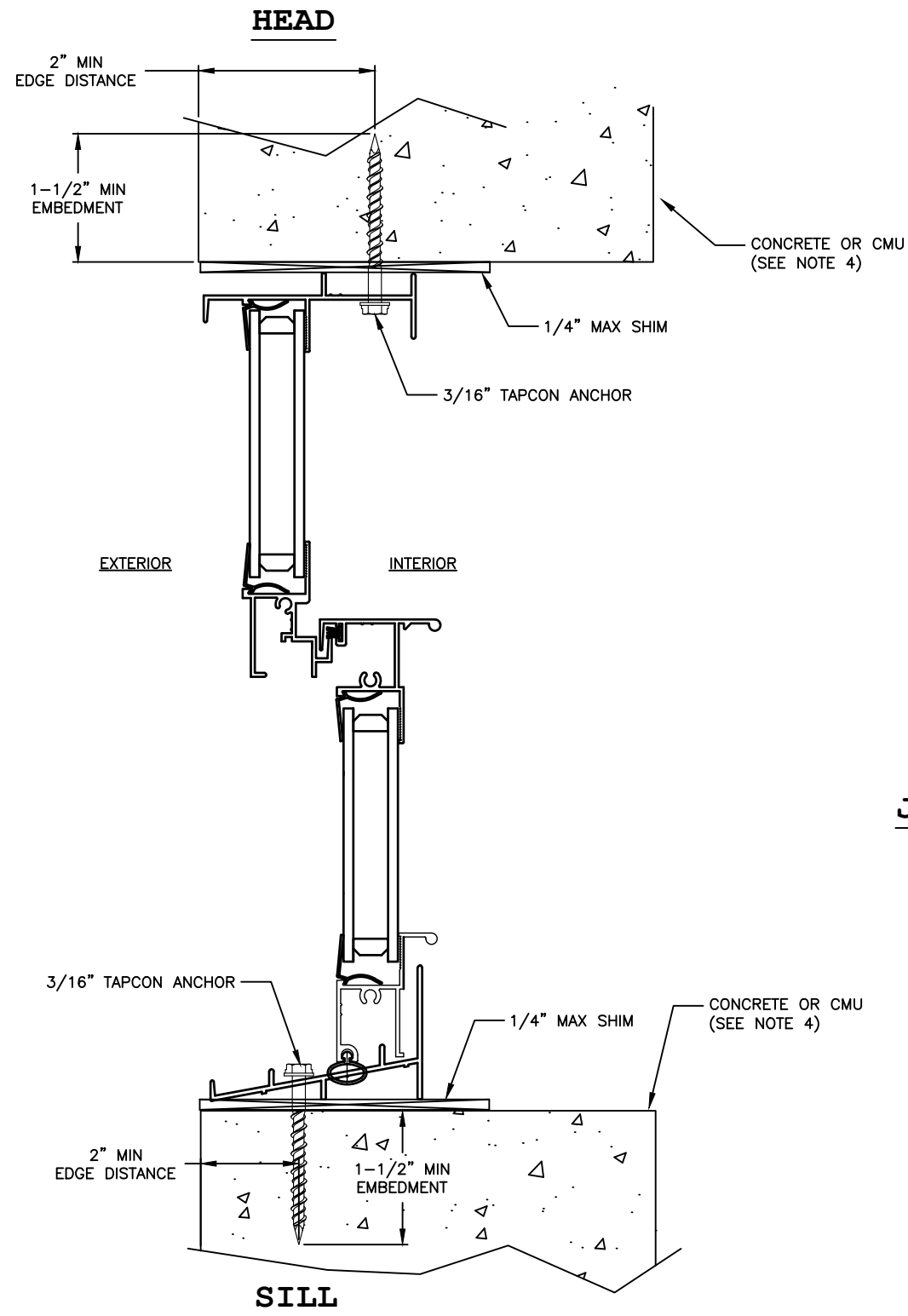
2022.01.31 09:15:46 -05'00'

46000 Single Hung - non-Impact
 Through-Frame Installation
 Steel Stud

TAFCO Corporation
 1953 North 17th Avenue
 Melrose Park, IL 60160

Drawing No.: 24888-1-1001
 Project No.: 24888-1
 Drawn By: JAR Rev: - Date: 01/31/22

Scale: NTS Sheet 7 of 10



Joseph A. Reed, PE
 TX PE 100777
 TX FIRM F-23134
 5 Leigh Dr.
 York, PA 17406
 717-846-1200

Joseph A. Reed

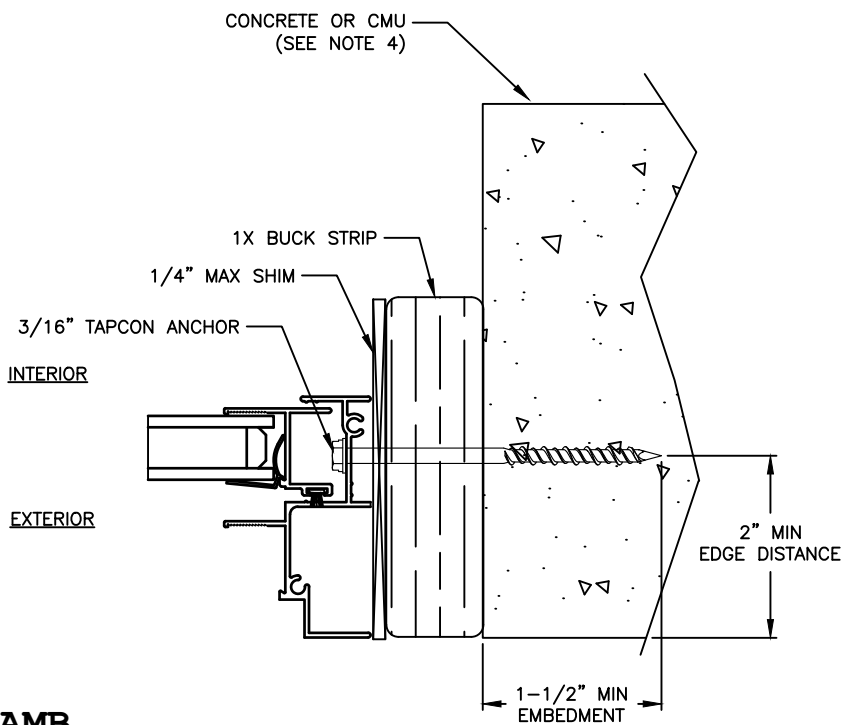
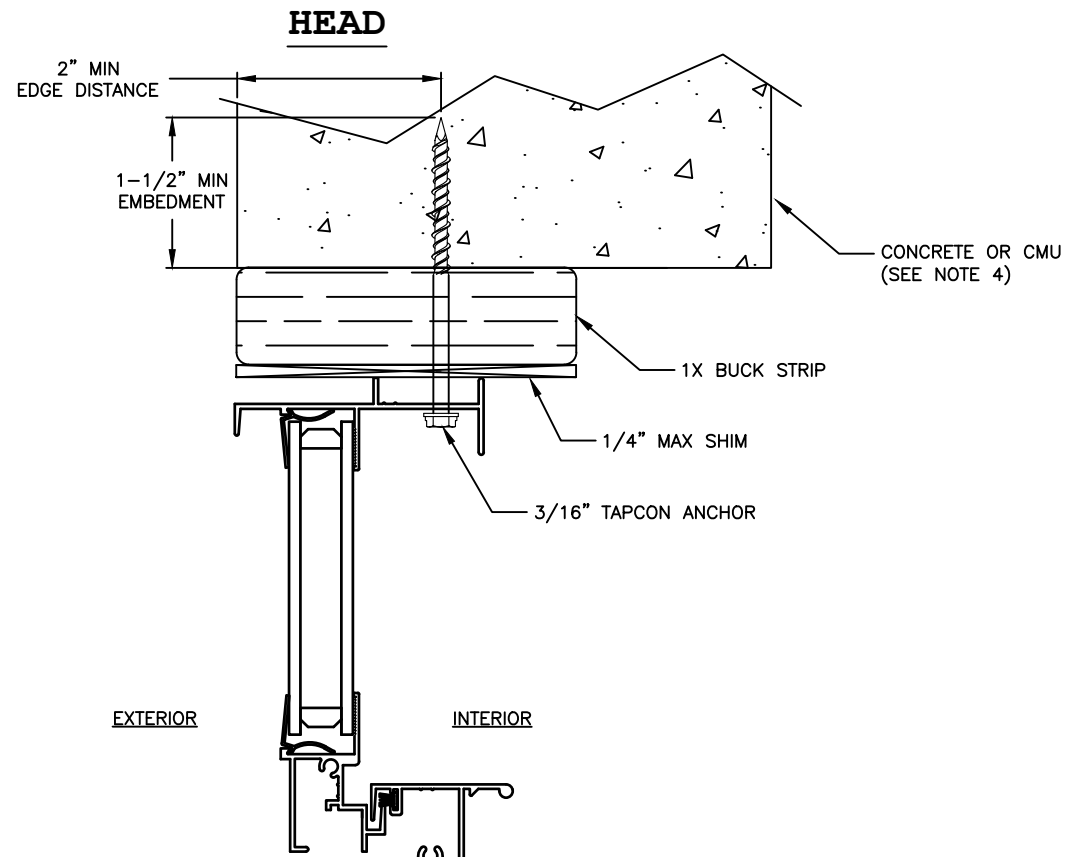
2022.01.31 09:15:46 -05'00'

46000 Single Hung - non-Impact
 Through-Frame Installation
 Concrete or CMU

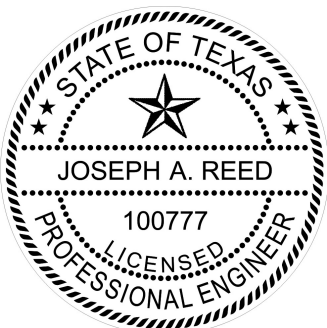
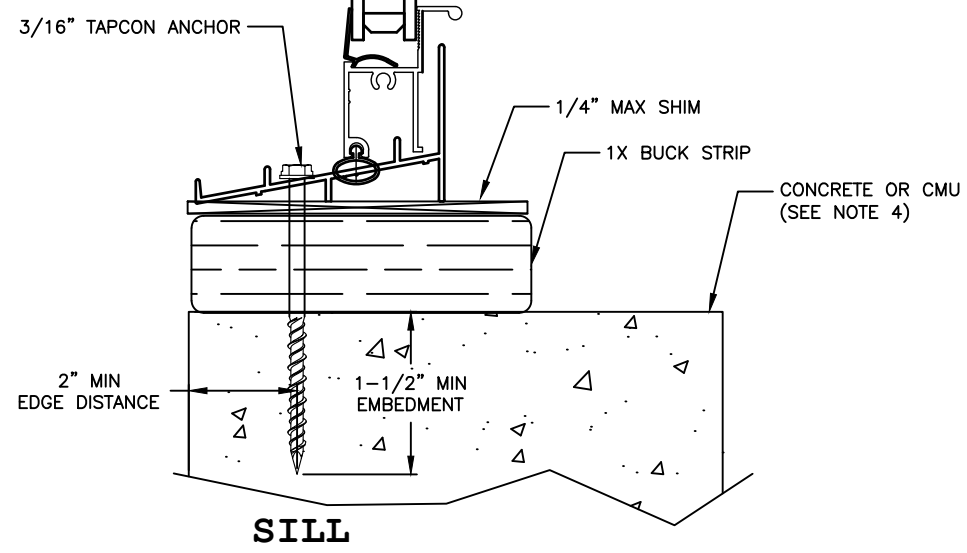
TAFCO Corporation
 1953 North 17th Avenue
 Melrose Park, IL 60160

Drawing No.: 24888-1-1001
 Project No.: 24888-1
 Drawn By: JAR Rev: - Date: 01/31/22

Scale: NTS Sheet 8 of 10



JAMB



Joseph A. Reed, PE
 TX PE 100777
 TX FIRM F-23134
 5 Leigh Dr.
 York, PA 17406
 717-846-1200

Joseph A. Reed

2022.01.31 09:15:46 -05'00'

**46000 Single Hung - non-Impact
 Through-Frame Installation
 Concrete or CMU with Buck Strip**

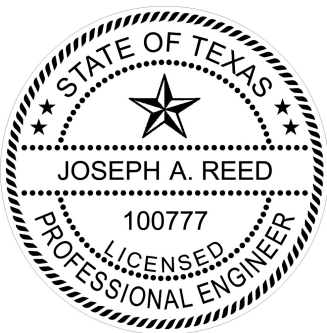
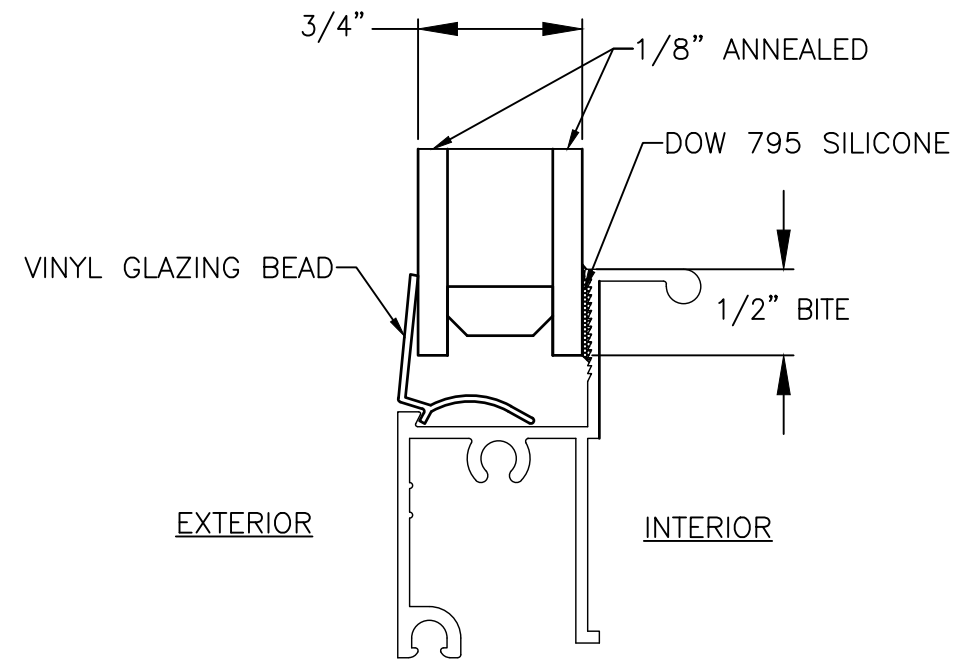
TAFCO Corporation
 1953 North 17th Avenue
 Melrose Park, IL 60160

Drawing No.: 24888-1-1001
 Project No.: 24888-1
 Drawn By: JAR Rev: - Date: 01/31/22

Scale: NTS Sheet 9 of 10

GLAZING DETAIL

G1 - INSULATING GLASS



Joseph A. Reed, PE
TX PE 100777
TX FIRM F-23134
5 Leigh Dr.
York, PA 17406
717-846-1200

Joseph A. Reed

2022.01.31 09:15:46 -05'00'

46000 Single Hung - non-Impact
Glazing Details

TAFCO Corporation
1953 North 17th Avenue
Melrose Park, IL 60160

Drawing No.: 24888-1-1001
Project No.: 24888-1
Drawn By: JAR Rev: - Date: 01/31/22

Scale: NTS

Sheet 10 of 10