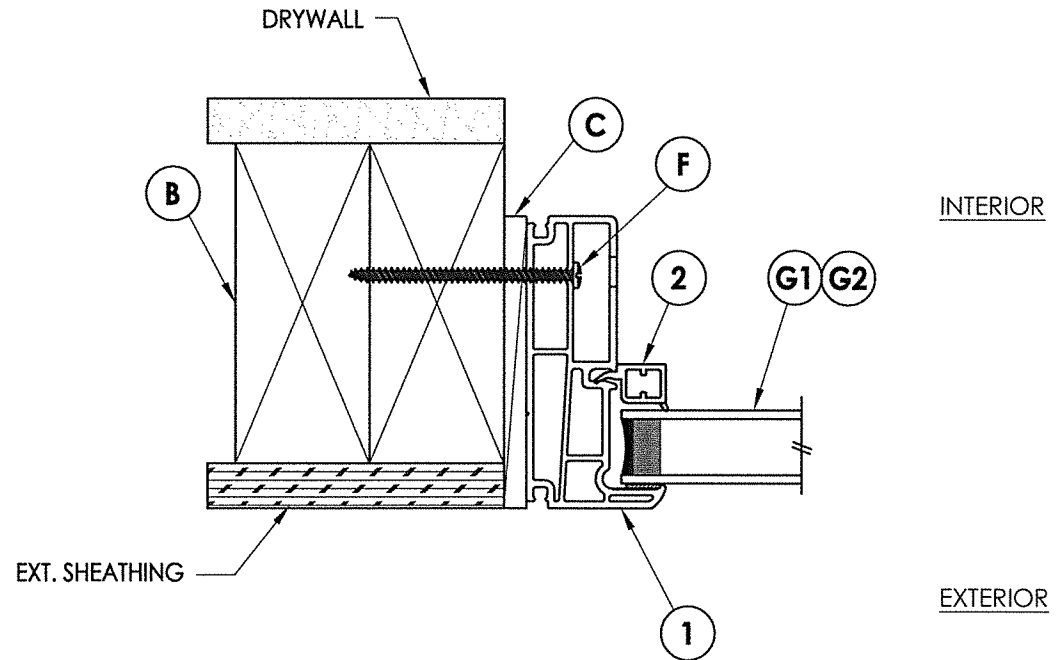
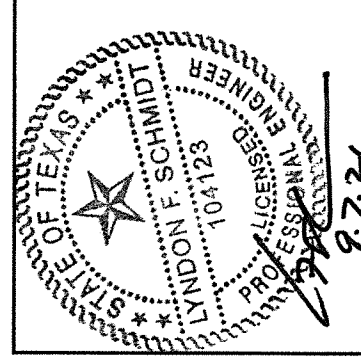


FRAME ANCHORING
 * Add anchors for width > 48"
 ** Add anchors for height > 48"



1
2 HORIZONTAL CROSS SECTION



Documents Prepared By: Lyndon F. Schmidt, P.E.
 TEXAS P.E. #104123

RW BUILDING CONSULTANTS, INC.
 P.O. Box 230 Vairico FL 33595
 Phone No.: 813.659.9197

TEXAS BOARD OF PROFESSIONAL ENGINEERS
 CERTIFICATE OF REGISTRATION # F-11852

PRODUCT: FIXED WINDOW	
PART OR ASSEMBLY: CROSS SECTIONS	
NO.	DATE
BY	BY
REVISIONS	
DATE: 9/07/21	
SCALE: N.T.S.	
DWG. BY: RW	
CHK. BY: LFS	
DRAWING NO.: TX-5082	
SHEET 2 OF 3	

