

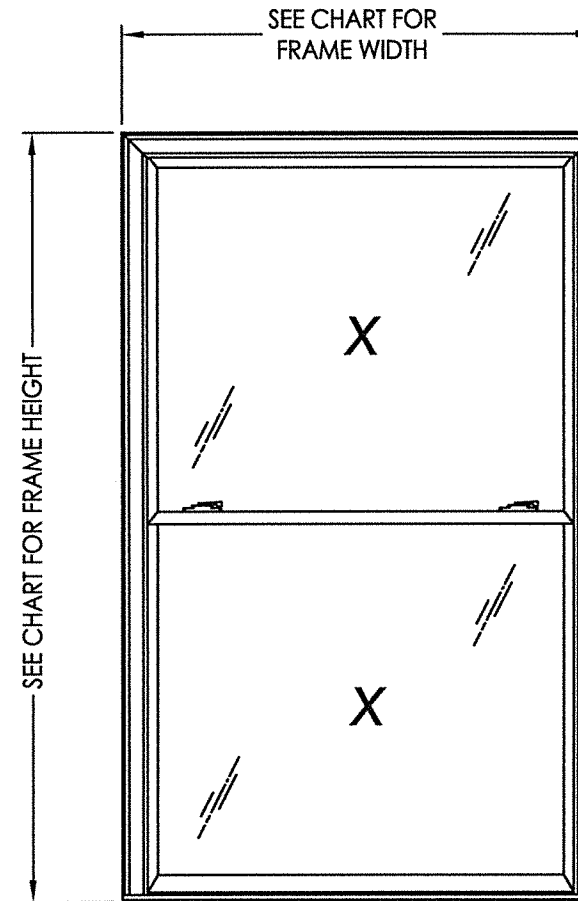
MODEL 8001 HP DOUBLE HUNG WINDOW "NON-IMPACT"

EVALUATED FOR USE IN THE STATE OF TEXAS

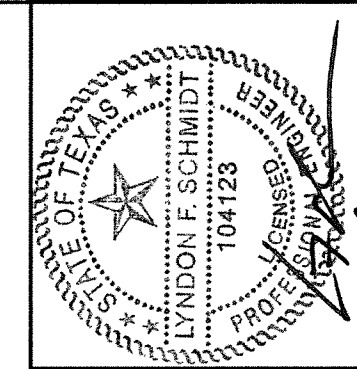
The Double Hung Window described herein complies with the 2018 International Residential Code (IRC), Sections R301 & R609 and the 2018 International Building Code (IBC), Sections 1404.13, 1609, 1709.5, 2403 and 2404 subject to the following conditions:

1. Anchors shall be as listed and spaced as shown in the details. Anchor embedment to base material shall be beyond wall dressing or stucco.
2. When used in areas requiring wind-borne debris protection this product is required to be protected with an impact resistant covering that complies with Section R301.2.1.2 of the IRC and Section 1609.1.2 of the IBC.
3. Allowable design pressure requirements must be equal to or less than the design pressure rating shown in the design pressure chart, sheet 1 of this drawing.
4. Conditions not covered by this drawing are subject to further engineering analysis.

TABLE OF CONTENTS	
SHEET#	DESCRIPTION
1	Typical elevations, design pressures & general notes
2	Vertical & horizontal cross sections & frame anchoring
3	Components
4	Bill of materials & glazing details



OVERALL FRAME DIMENSION	TOP D.L.O. DIMENSION	BOTTOM D.L.O. DIMENSION	GLASS TYPE	DESIGN PRESSURE (PSF)	
				POSITIVE	NEGATIVE
52.0" x 62.0"	44.25" x 26.25"	44.25" x 26.25"	G1	+35.0	-35.0
48.0" x 72.0"	40.25" x 31.25"	40.25" x 31.25"	G1	+35.0	-35.0



Documents Prepared By: Lyndon F. Schmidt, P.E.
TEXAS P.E. #104123

RW BUILDING CONSULTANTS, INC.
P.O. Box 230 Vairico FL 33595
Phone No.: 813.659.9197

TEXAS BOARD OF PROFESSIONAL ENGINEERS
CERTIFICATE OF REGISTRATION # F-11852

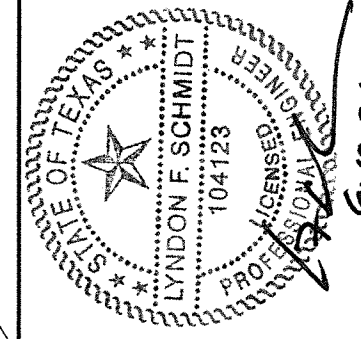
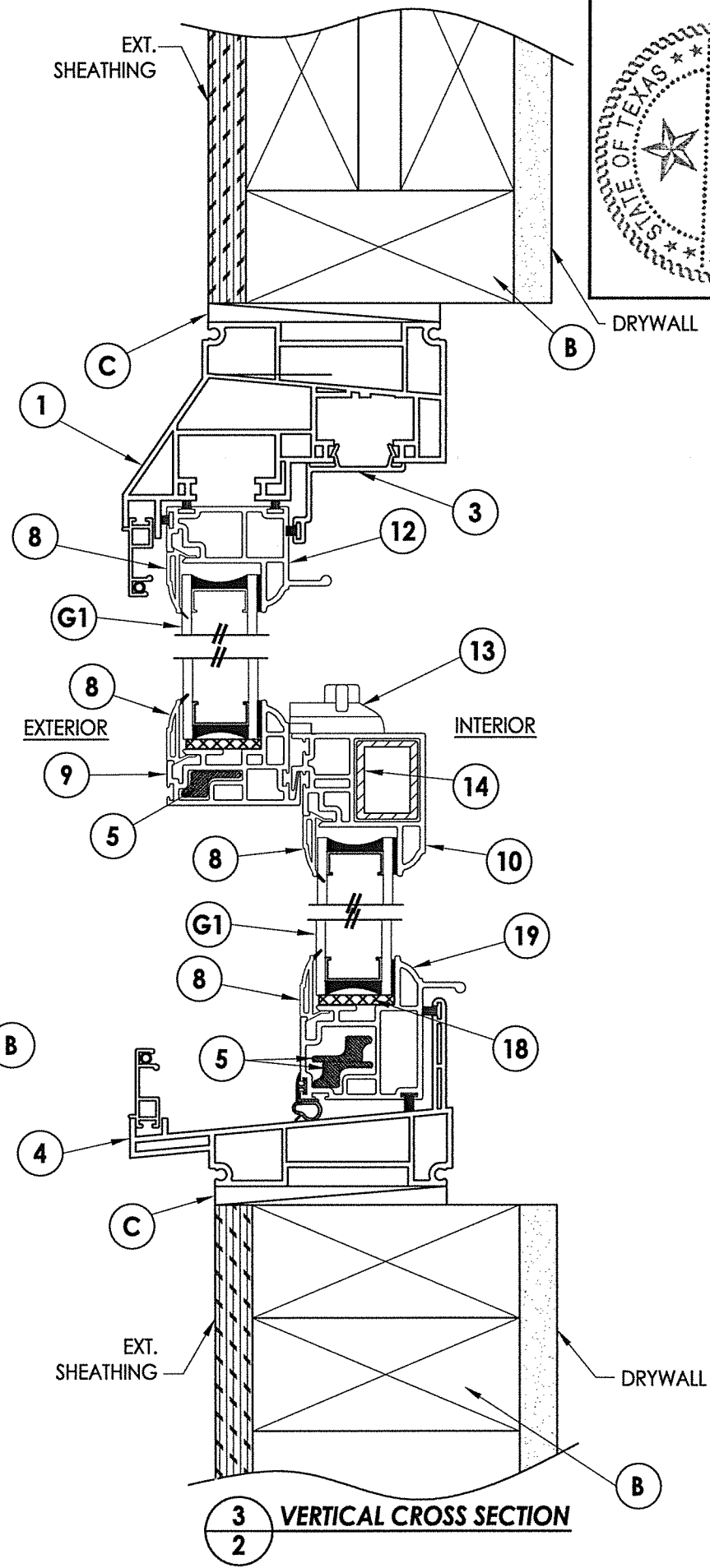
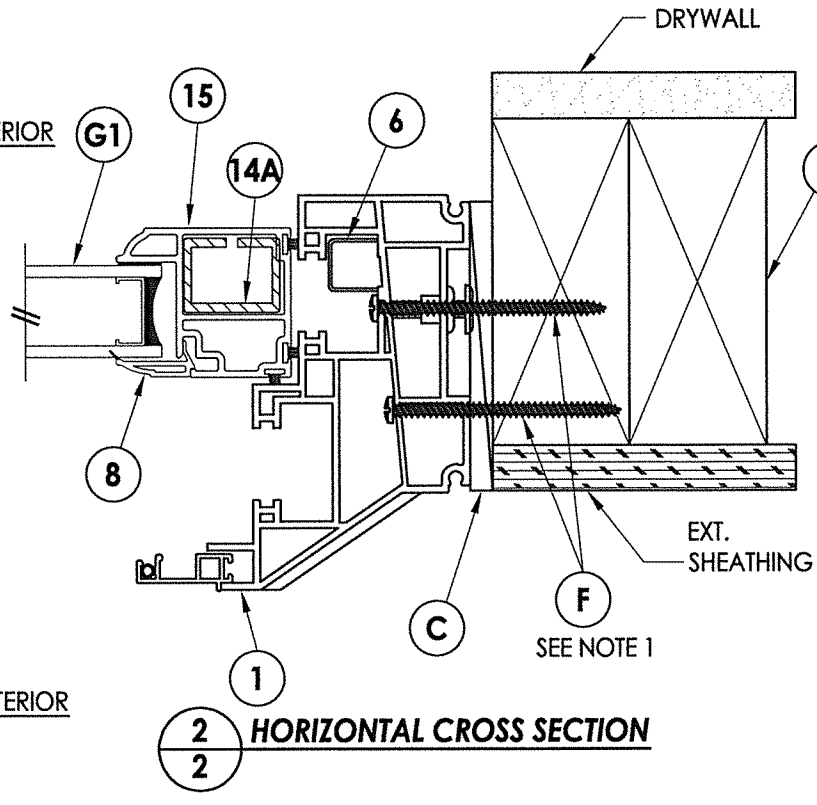
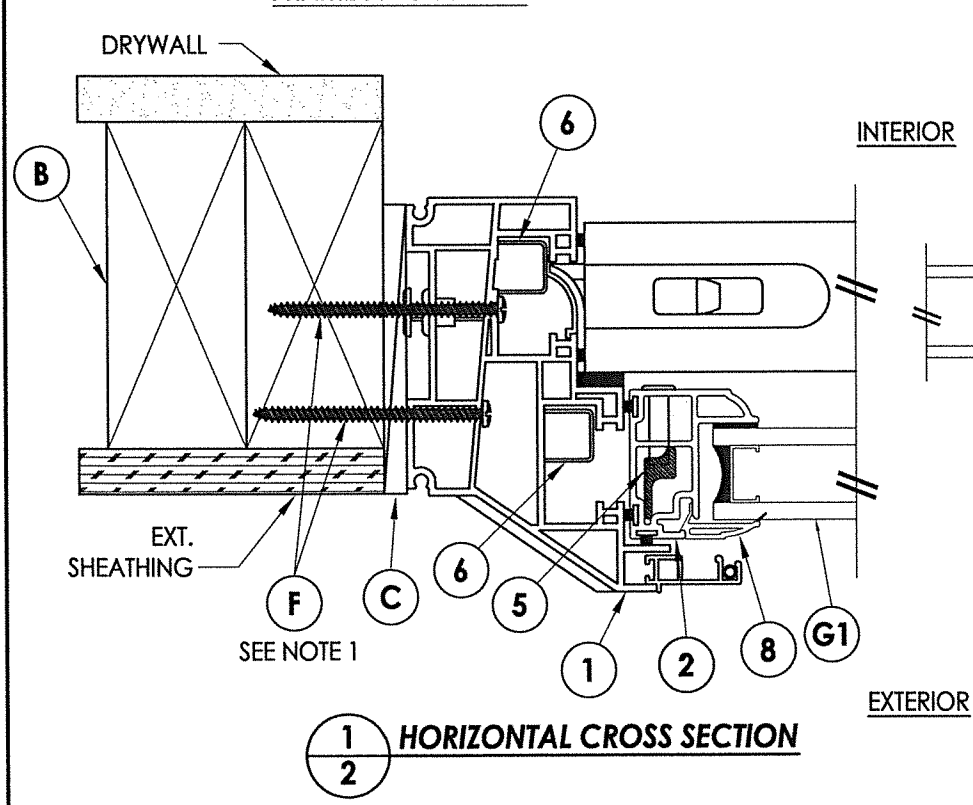
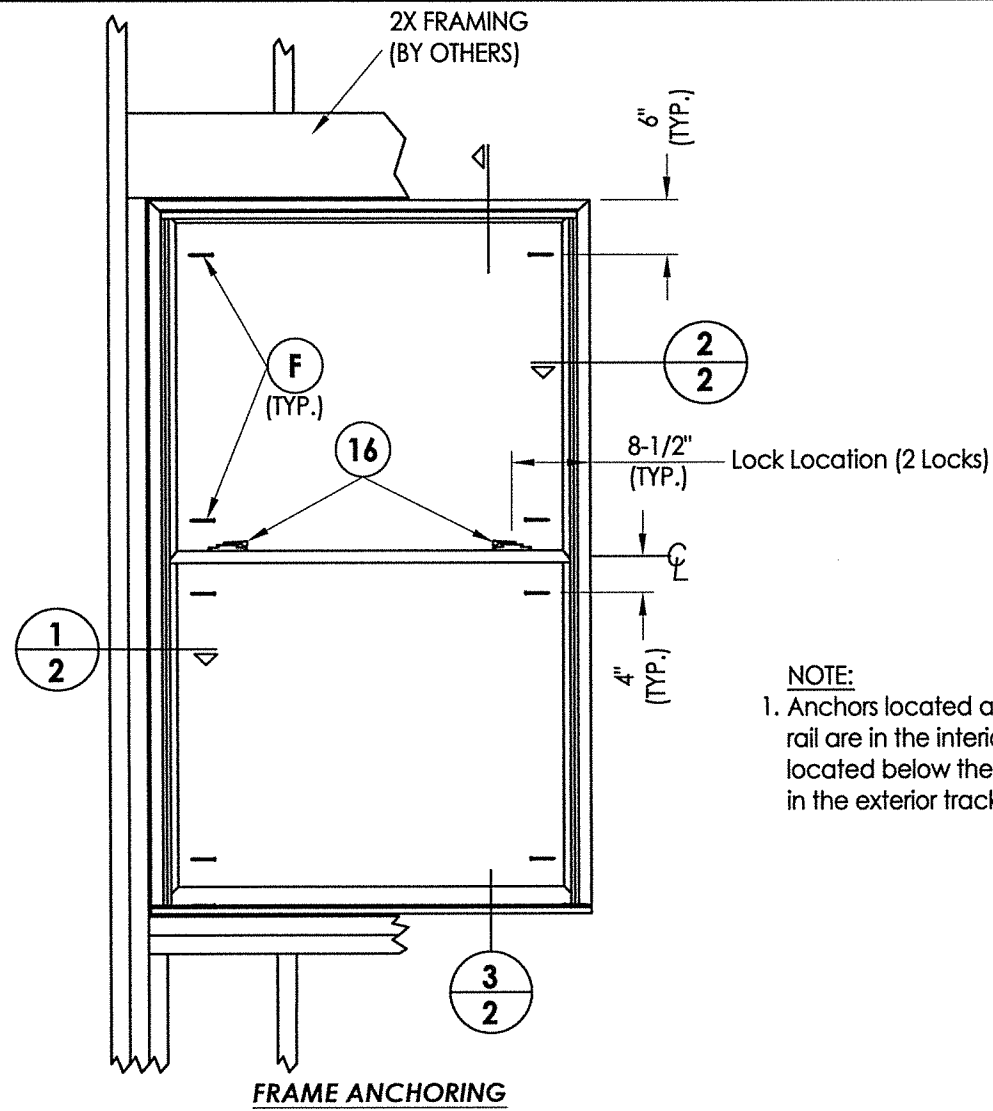
PRODUCT: SINGLE HUNG WINDOW

PART OR ASSEMBLY: TYPICAL ELEVATION, DESIGN PRESSURES & GENERAL NOTES

NO.	DATE	BY	REVISIONS

DATE: 6/08/21
SCALE: N.T.S.
DWG. BY: RW
CHK. BY: LFS
DRAWING NO.: TX-5098
SHEET 1 OF 4

Z:\Clients\Associated PERMANENT\B - Texas Dept of Ins\Double Hung\WIN-XXX Model 8001 HP DH\C - Drawings\TX-5098.dwg



Documents Prepared By: Lyndon F. Schmidt, P.E.
TEXAS P.E. #104123

RW BUILDING CONSULTANTS, INC.
P.O. Box 230 Valrico FL 33595
Phone No.: 813.659.9197

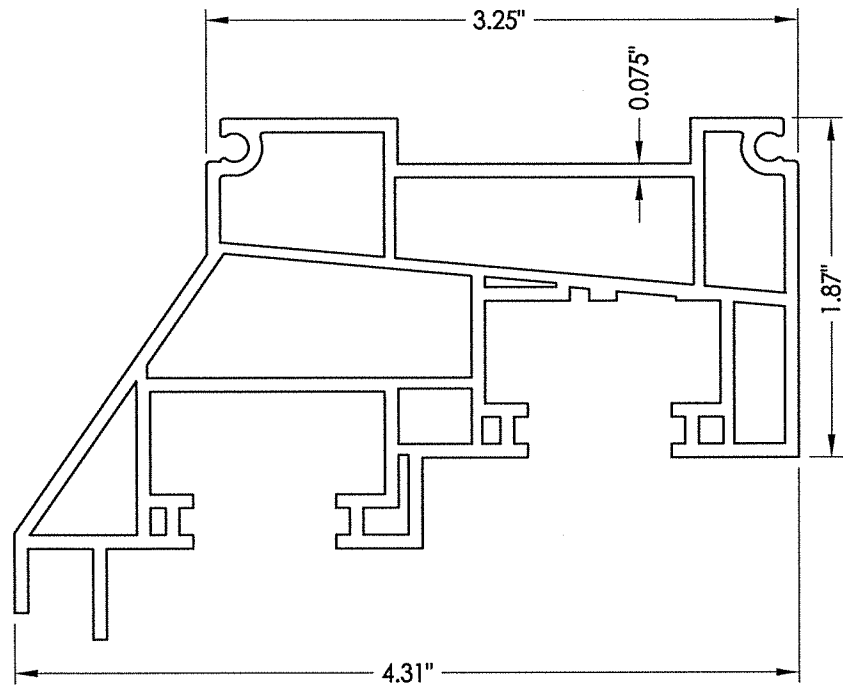
TEXAS BOARD OF PROFESSIONAL ENGINEERS
CERTIFICATE OF REGISTRATION # F-11852

G. 10. 21

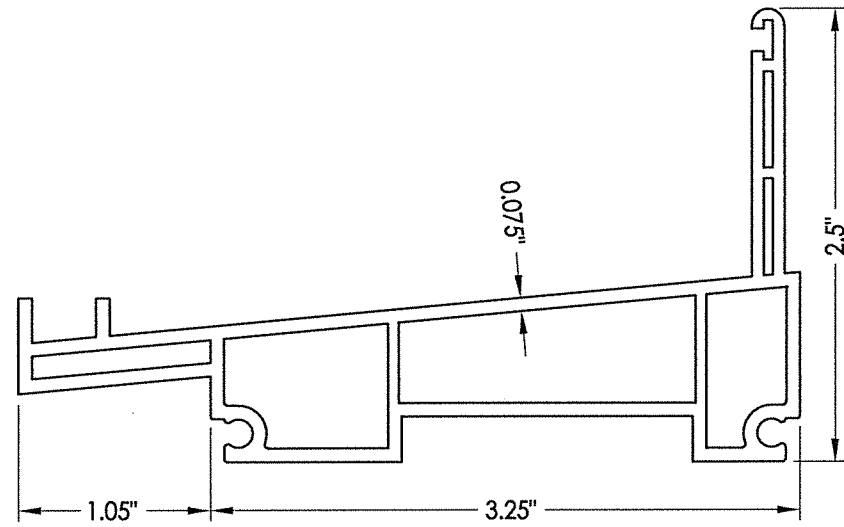
PRODUCT:	SINGLE HUNG WINDOW		
PART OR ASSEMBLY:	VERTICAL & HORIZONTAL CROSS SECTIONS & FRAME ANCHORING		
NO.	DATE	BY	
		REVISIONS	
DATE:	6/08/21		
SCALE:	N.T.S.		
DWG. BY:	RW		
CHK. BY:	LFS		
DRAWING NO.:	TX-5098		
SHEET	2	OF	4

© 2021 R.W. BUILDING CONSULTANTS INC.

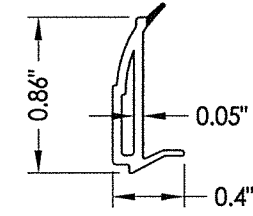
Z:\Clients\Associated PERMANENT\B - Texas Dept of Ins\Double Hung\WIN-XXX Model 8001 HP DH\C - Drawings\TX-5098.dwg



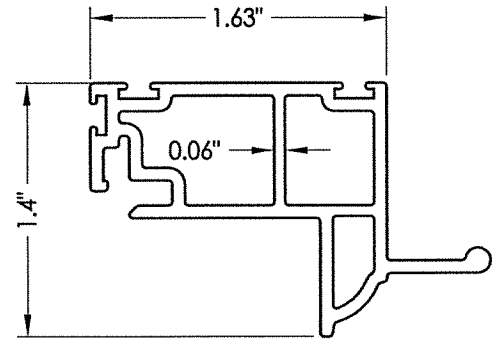
1 HEAD & JAMB
(UL0096)



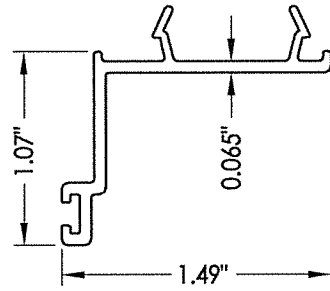
4 FRAME SILL
(UL0097)



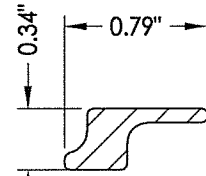
8 GLAZING BEAD
(UU0410)



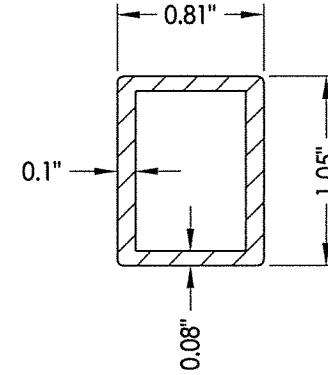
12 TOP SASH HANDLE RAIL
(UL0130)



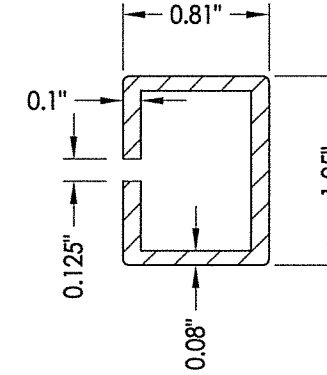
3 HEAD ADAPTER
(UL0099)



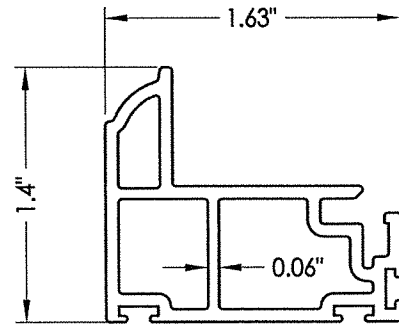
5 SASH REINFORCEMENT
(3721)



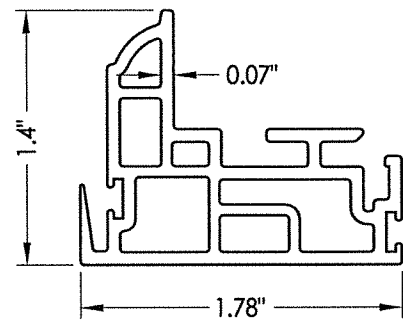
14 SASH REINFORCEMENT
(3719)



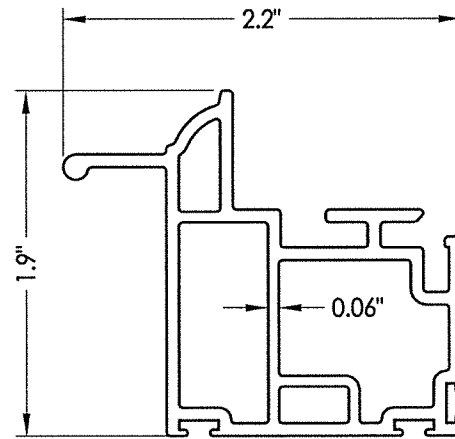
14A SASH REINFORCEMENT
(3719)



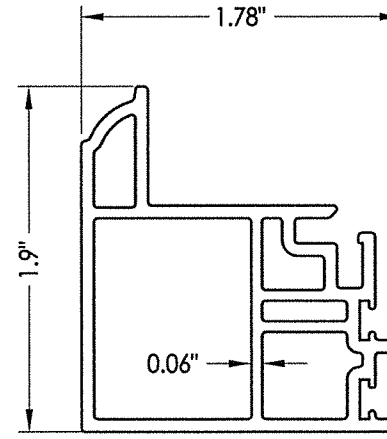
2 TOP SASH STILE
(UL0131)



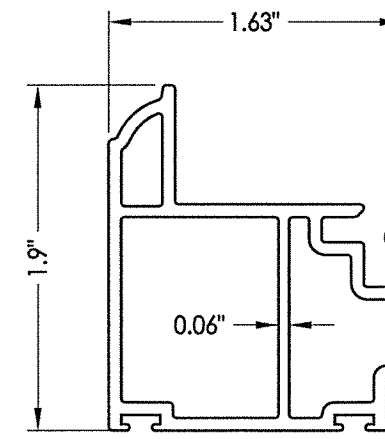
9 KEEPER RAIL
(UL0132)



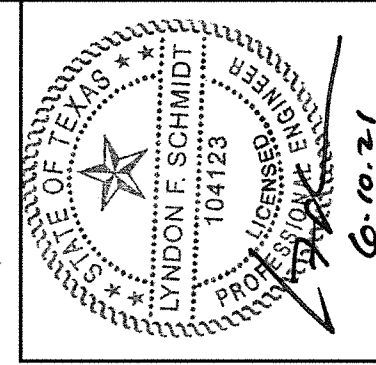
19 HANDLE RAIL
(UL0136)



10 LOCK RAIL
(UL0134)



15 BOTTOM SASH STILE
(UL0135)



Documents Prepared By: Lyndon F. Schmidt, P.E.
TEXAS P.E. #104123

RW BUILDING CONSULTANTS, INC.
P.O. Box 230 Valrico FL 33595
Phone No.: 813.659.9197
TEXAS BOARD OF PROFESSIONAL ENGINEERS
CERTIFICATE OF REGISTRATION # F-11852

PRODUCT: SINGLE HUNG WINDOW
PART OR ASSEMBLY: COMPONENTS

NO.	DATE	BY

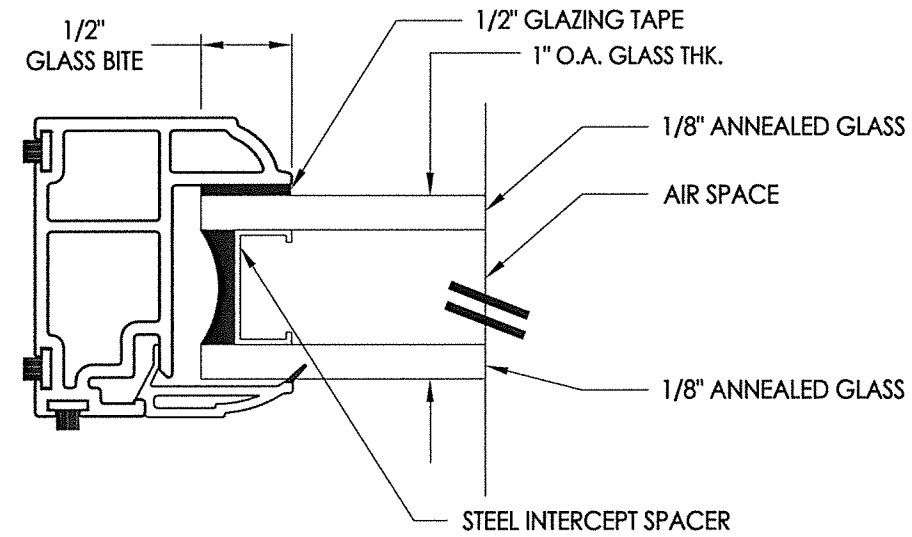
DATE: 6/08/21
SCALE: N.T.S.
DWG. BY: RW
CHK. BY: LFS
DRAWING NO.: TX-5098
SHEET 3 OF 4

Z:\Clients\Associated PERMANENT\B - Texas Dept of Ins\Double Hung\WIN-XXX Model 8001 HP DH\C - Drawings\TX-5098.dwg

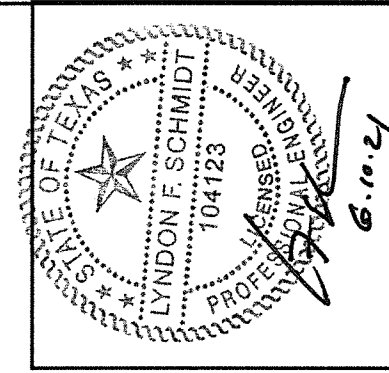
BILL OF MATERIALS

ITEM #	DESCRIPTION	MATERIAL
B	2X FRAMING (G >= 0.42)	WOOD
C	1/4" MAX. SHIM SPACE	-
F	#8 X 2-1/2" PH WOOD SCREW (1-3/4" MIN. EMBEDMENT)	STEEL
1	EXTRUDED VINYL HEAD & JAMB *	RIGID PVC
2	EXTRUDED VINYL SASH STILE *	RIGID PVC
3	EXTRUDED VINYL HEAD ADAPTER *	RIGID PVC
4	EXTRUDED VINYL FRAME SILL *	RIGID PVC
5	SASH REINFORCEMENT	FIBERGLASS
6	BLOCK & TACKLE BALANCE SHOE	-
8	EXTRUDED VINYL GLAZING BEAD *	RIGID PVC
9	EXTRUDED VINYL MEETING RAIL *	RIGID PVC
10	EXTRUDED VINYL LOCK RAIL *	RIGID PVC
12	TOP SASH HANDLE RAIL *	RIGID PVC
13	SWEEP LOCK	STEEL
14	SASH REINFORCEMENT	FIBERGLASS
14A	SASH REINFORCEMENT (w/ 1/8" CUT OUT)	FIBERGLASS
15	EXTRUDED VINYL BOTTOM SASH STILE *	RIGID PVC
18	NEOPRENE SETTING BLOCK	NEOPRENE
19	HANDLE RAIL*	RIGID PVC

* THE APPROVED WHITE RIGID PVC EXTERIOR EXTRUSIONS FOR WINDOWS ARE TO BE PRODUCED BY EXTRUDERS LICENSEES IN "AAMA CERTIFICATION PROGRAMS FOR RIGID PVC EXTRUSIONS".



G1 GLAZING DETAIL



Documents Prepared By: Lyndon F. Schmidt, P.E.
TEXAS P.E. #104123

RW BUILDING CONSULTANTS, INC.
P.O. Box 230 Valrico FL 33595
Phone No.: 813.659.9197
TEXAS BOARD OF PROFESSIONAL ENGINEERS
CERTIFICATE OF REGISTRATION # F-11852

PRODUCT: SINGLE HUNG WINDOW	
PART OR ASSEMBLY: BILL OF MATERIALS & GLAZING DETAIL	
NO.	DATE
BY	REVISIONS
DATE:	6/08/21
SCALE:	N.T.S.
DWG. BY:	RW
CHK. BY:	LFS
DRAWING NO.:	TX-5098
SHEET	4 OF 4