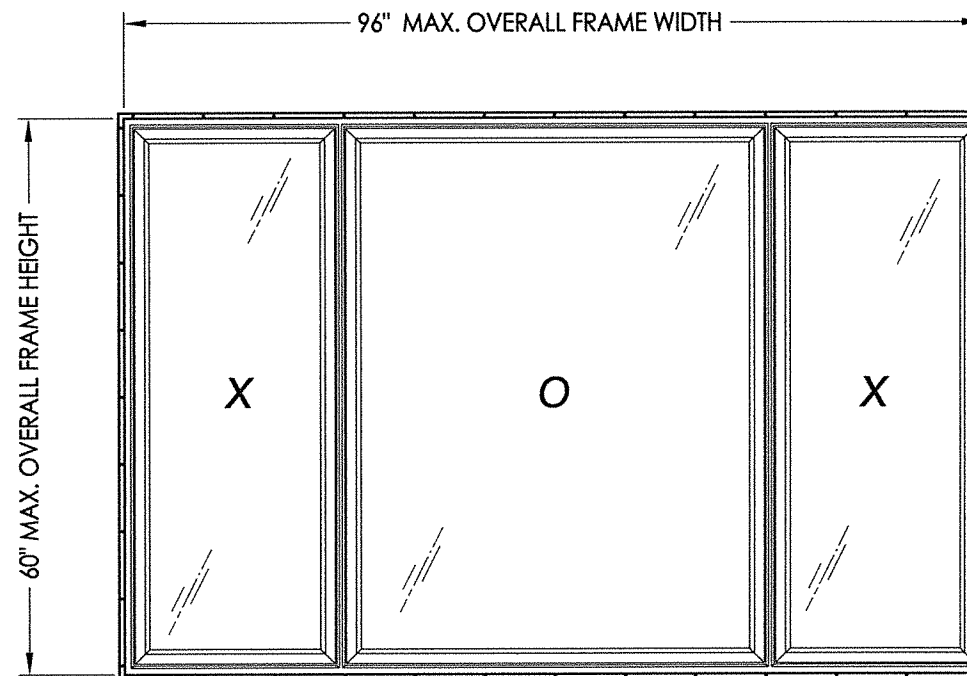


**SERIES 0173  
FLANKER CASEMENT WINDOW  
w/ NAILING FIN  
"NON-IMPACT"**



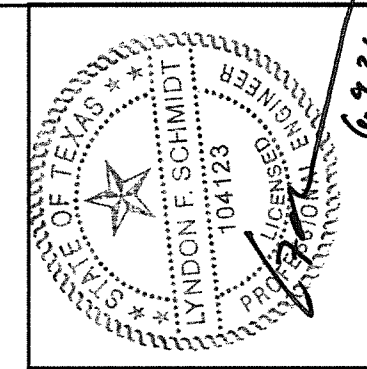
**EVALUATED FOR USE IN THE STATE OF TEXAS**

The Casement Window described herein complies with the 2018 International Residential Code (IRC), Sections R301 & R609 and the 2018 International Building Code (IBC), Sections 1404.13, 1609, 1709.5, 2403 and 2404 subject to the following conditions:

1. Anchors shall be as listed and spaced as shown in the details. Anchor embedment to base material shall be beyond wall dressing or stucco.
2. When used in areas requiring wind-borne debris protection this product is required to be protected with an impact resistant covering that complies with Section R301.2.1.2 of the IRC and Section 1609.2 of the IBC.
3. Allowable design pressure requirements must be equal to or less than the design pressure rating shown in the design pressure chart, sheet 1 of this drawing.
4. Conditions not covered by this drawing are subject to further engineering analysis.

| TABLE OF CONTENTS |  |
|-------------------|--|
| SHEET#            | DESCRIPTION  |
| 1                 | Typical elevations, design pressures & general notes   |
| 2                 | Vertical & horizontal cross sections & frame anchoring |
| 3                 | Bill of materials, glazing details and components      |

| OVERALL FIN DIMENSION | OVERALL FRAME DIMENSION | OVERALL VENT DAY LIGHT DIMENSION | OVERALL FIXED DAY LIGHT DIMENSION | GLASS TYPE | DESIGN PRESSURE (PSF) |       |
|-----------------------|-------------------------|----------------------------------|-----------------------------------|------------|-----------------------|-------|
|                       |                         |                                  |                                   |            | POS.                  | NEG.  |
| 98.74" X 62.74"       | 96.0" X 60.0"           | 18.63" X 54.38"                  | 42.88" X 54.38"                   | G1         | +35.0                 | -35.0 |
| 98.74" X 50.74"       | 96.0" X 48.0"           | 18.63" X 42.38"                  | 42.88" x 42.38"                   | G1         | +45.0                 | -45.0 |



Documents Prepared By: Lyndon F. Schmidt, P.E.  
TEXAS P.E. #104123

**RW** BUILDING CONSULTANTS, INC.  
P.O. Box 230 Vairico FL 33595  
Phone No.: 813.659.9197

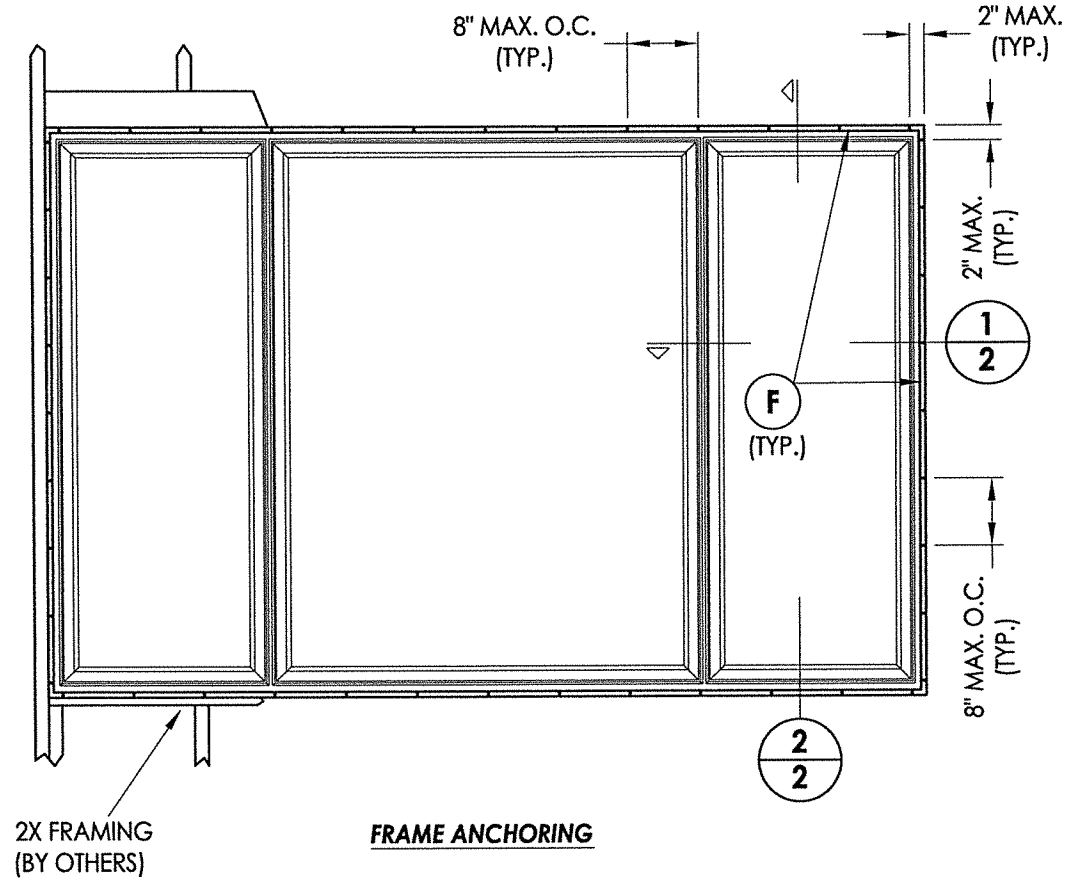
TEXAS BOARD OF PROFESSIONAL ENGINEERS  
CERTIFICATE OF REGISTRATION # F-11852

PRODUCT: CASEMENT WINDOW  
PART OR ASSEMBLY: TYPICAL ELEVATION, DESIGN PRESSURES & GENERAL NOTES

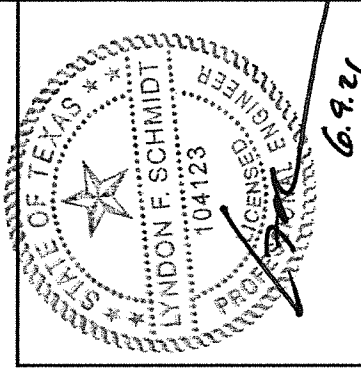
| NO. | DATE | BY | REVISIONS |
|-----|------|----|-----------|
|     |      |    |           |
|     |      |    |           |
|     |      |    |           |

DATE: 6/08/21  
SCALE: N.T.S.  
DWG. BY: RW  
CHK. BY: LFS  
DRAWING NO.: TX-5093  
SHEET 1 OF 3

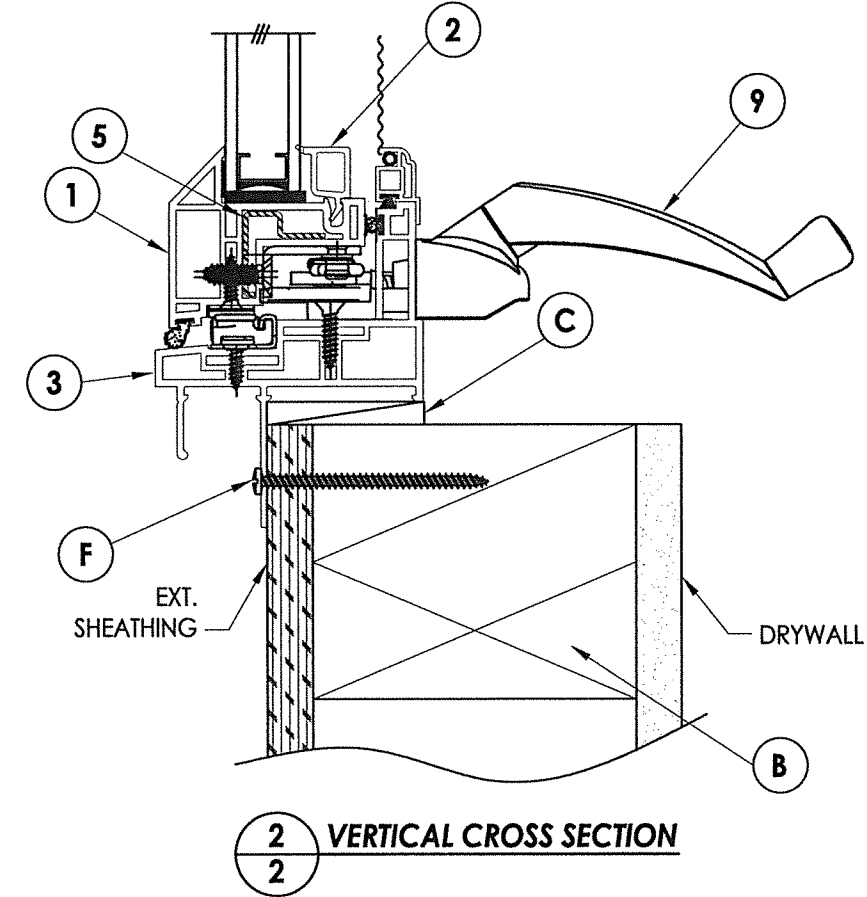
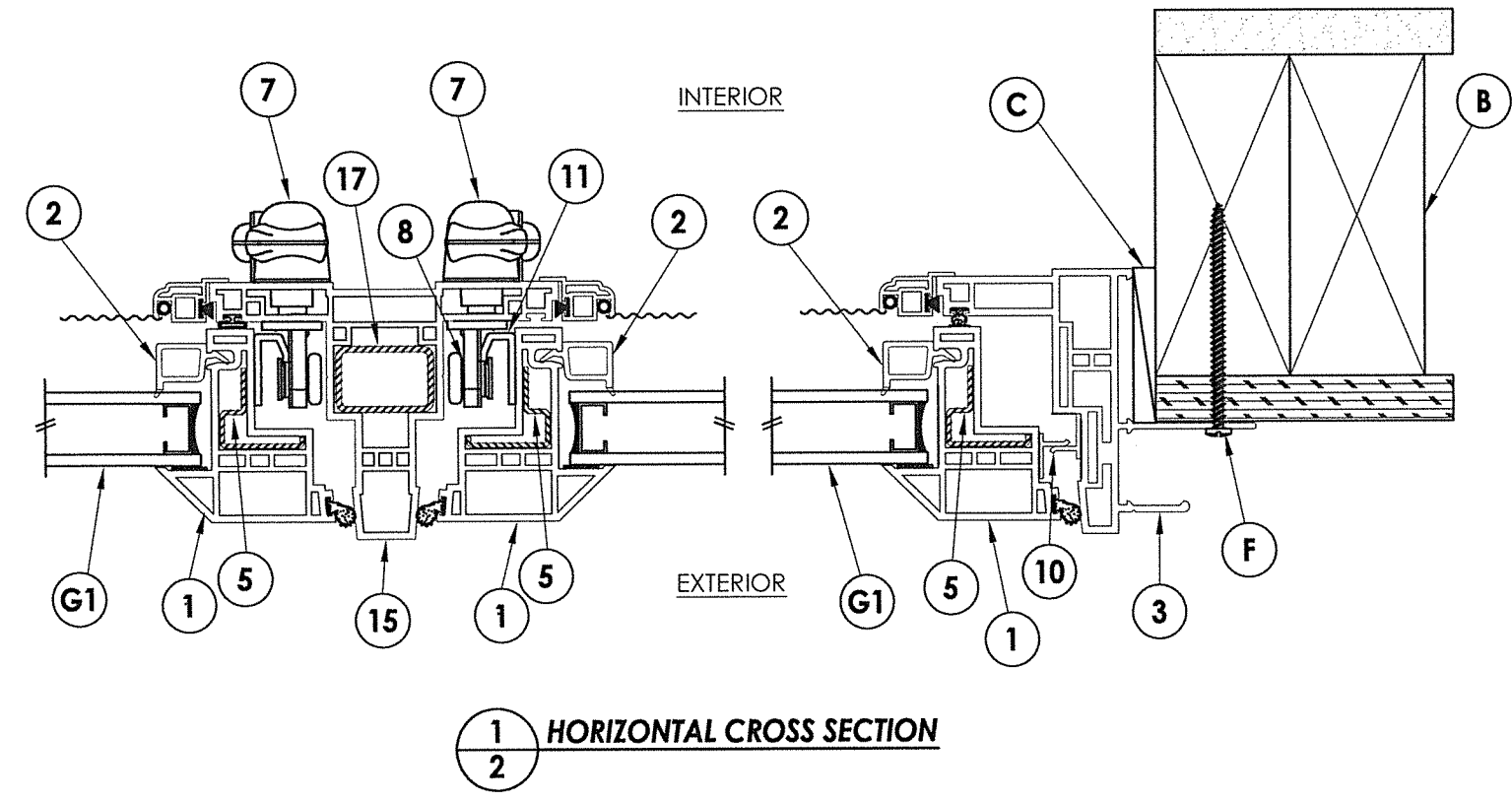
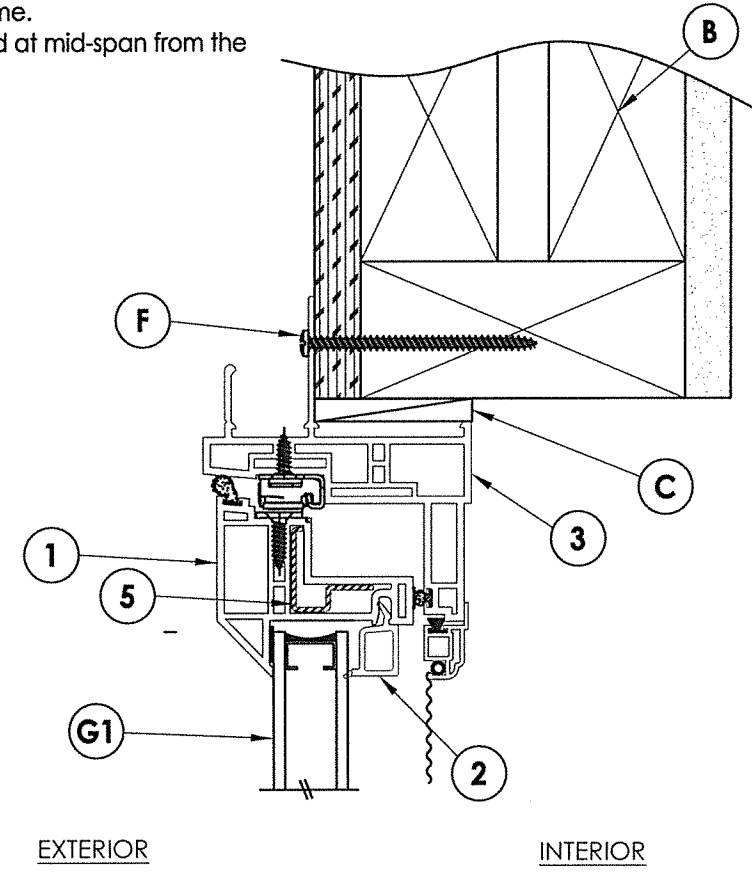
Z:\Clients\Associated PERMANENT\B - Texas Dept of Ins\Casement\WIN-XXX Sereis 017X Casement\C - Drawings\TX-5091.92.93.dwg



**HARDWARE NOTES (EACH SASH):**  
 1. Lock Keepers/Tie Bar Guides (4) are located 3", 25", 47" & 69" (max. 22" o.c.) from the bottom of the frame.  
 2. Snubbers (3) are located at 1/4 points and at mid-span from the bottom of the frame.



Documents Prepared By: Lyndon F. Schmidt, P.E.  
 TEXAS P.E. #104123  
**RW** BUILDING CONSULTANTS, INC.  
 P.O. Box 230 Velrico FL 33595  
 Phone No.: 813.659.9197  
 TEXAS BOARD OF PROFESSIONAL ENGINEERS  
 CERTIFICATE OF REGISTRATION # F-11852

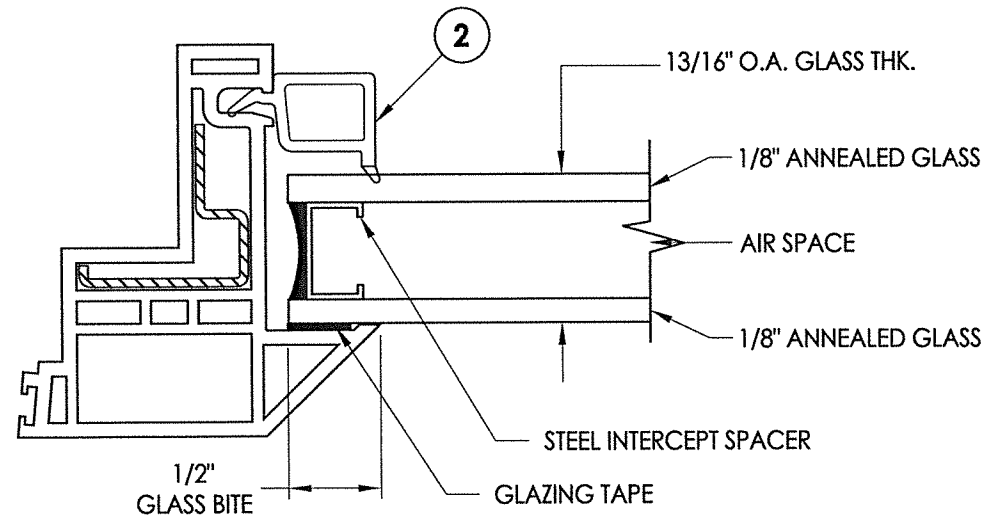


|  |           |
|--|-----------|
| PRODUCT: CASEMENT WINDOW   |           |
| PART OR ASSEMBLY: VERTICAL & HORIZONTAL CROSS SECTIONS & FRAME ANCHORING |           |
| NO.  | DATE      |
| BY   | REVISIONS |
| DATE: 6/08/21  |           |
| SCALE: N.T.S.  |           |
| DWG. BY: RW  |           |
| CHK. BY: LFS   |           |
| DRAWING NO.: TX-5093   |           |
| SHEET 2 OF 3   |           |

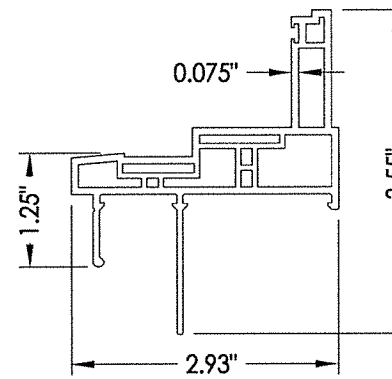
**BILL OF MATERIALS**

| ITEM # | DESCRIPTION                                  | MATERIAL  |
|--------|--|-----------|
| B      | 2X FRAMING (SG >= 0.42)                      | WOOD      |
| C      | 1/4" MAX. SHIM SPACE                         | -         |
| H      | #8 X 2-1/2" PPH SMS (1-3/4" MIN. EMBEDMENT)  | STEEL     |
| 1      | EXTRUDED VINYL SASH*                         | RIGID PVC |
| 2      | EXTRUDED VINYL GLAZING BEAD*                 | RIGID PVC |
| 3      | EXTRUDED VINYL FRAME*                        | RIGID PVC |
| 5      | SASH REINFORCEMENT (3205)                    | STEEL     |
| 7      | LOCK HANDLE w/ GASKET (ASHLAND)              | -         |
| 8      | TIE BAR & GUIDE (ASHLAND) w/ #8 X 1" PPH SMS | -         |
| 9      | OPERATOR HANDLE (ASHLAND)                    | -         |
| 10     | SNUBBER (ASHLAND) w/ #8 X 1/2" PPH SMS       | STEEL     |
| 11     | KEEPER (ASHLAND)                             | -         |
| 15     | MULLION*                                     | RIGID PVC |
| 17     | MULLION REINFORCEMENT                        | STEEL     |

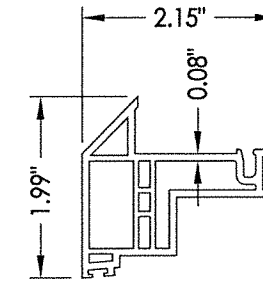
\*THE APPROVED WHITE RIGID PVC EXTERIOR EXTRUSIONS FOR WINDOWS ARE TO BE PRODUCED BY EXTRUDERS LICENSEES IN "AAMA CERTIFICATION PROGRAMS FOR RIGID PVC EXTRUSIONS."



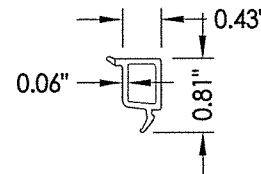
**G1 GLAZING DETAIL**



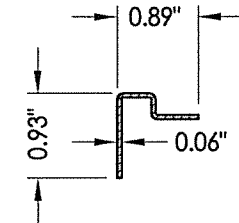
**3 FRAME**



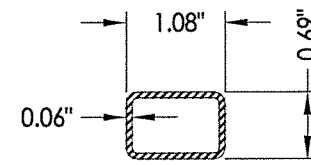
**1 SASH**



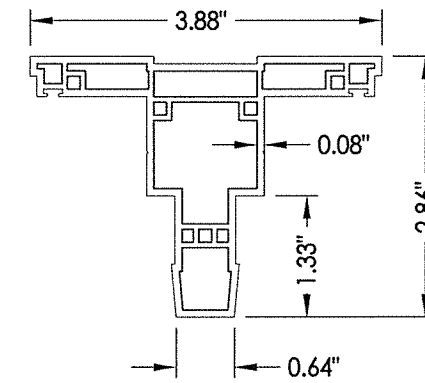
**2 GLAZING BEAD**



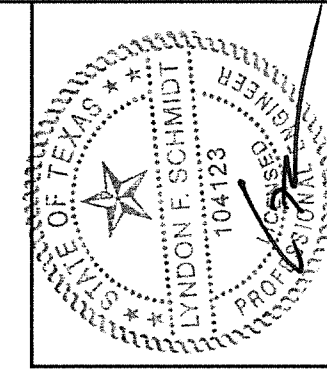
**5 SASH REINFORCEMENT**



**17 MULLION REINFORCEMENT**



**15 MULLION**



6.9.21

Documents Prepared By: Lyndon F. Schmidt, P.E.  
TEXAS P.E. #104123

**RW** BUILDING CONSULTANTS, INC.  
P.O. Box 230 Valrico FL 33595  
Phone No.: 813.659.9197

TEXAS BOARD OF PROFESSIONAL ENGINEERS  
CERTIFICATE OF REGISTRATION # F-11852

PRODUCT: CASEMENT WINDOW  
PART OR ASSEMBLY: BILL OF MATERIALS, GLAZING DETAILS & COMPONENTS

| NO. | DATE | BY | REVISIONS |
|-----|------|----|-----------|
|     |      |    |           |
|     |      |    |           |
|     |      |    |           |

DATE: 6/08/21

SCALE: N.T.S.

DWG. BY: RW

CHK. BY: LFS

DRAWING NO.: TX-5093

SHEET 3 OF 3