

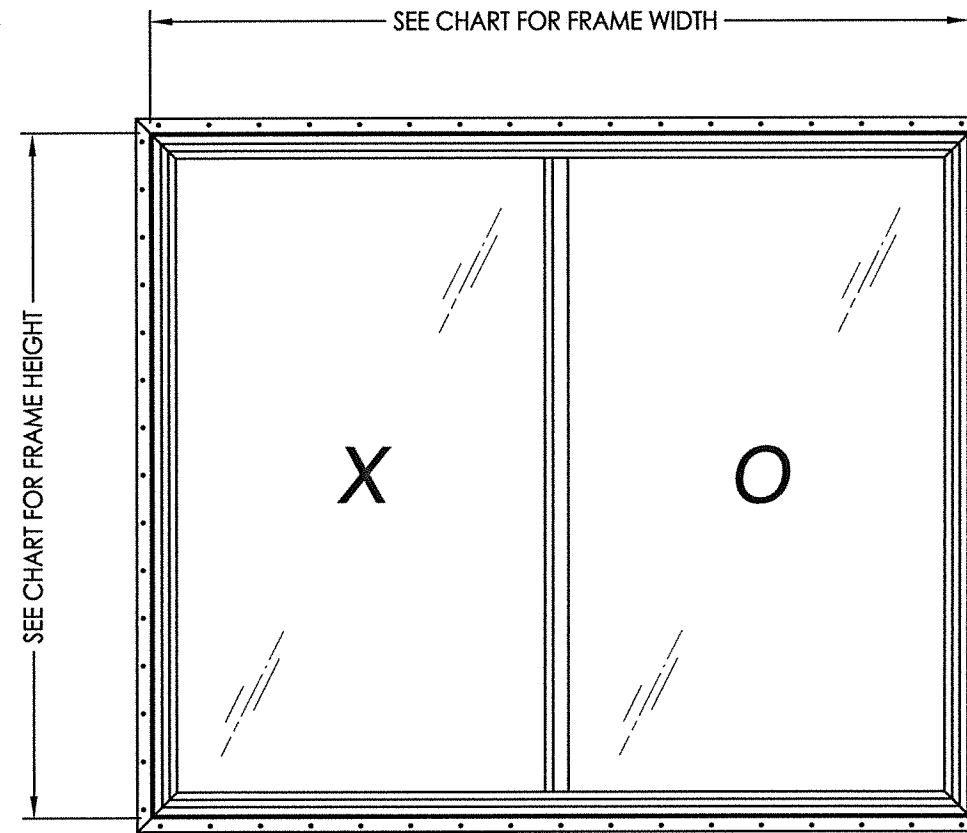
**MODEL 1902 HP
HORIZONTAL SLIDER
w/ NAILING FIN
"NON-IMPACT"**

EVALUATED FOR USE IN THE STATE OF TEXAS

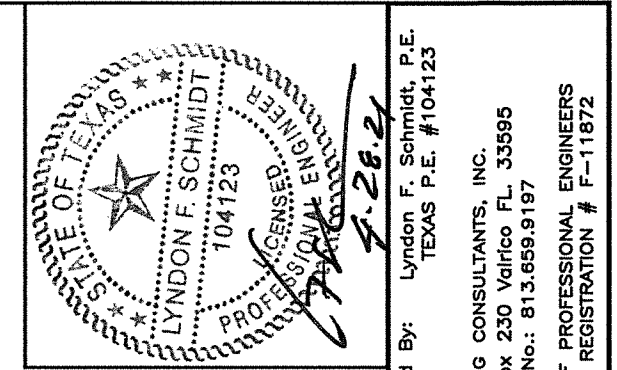
The Horizontal Slider Window described herein complies with the 2018 International Residential Code (IRC), Sections R301 & R609 and the 2018 International Building Code (IBC), Sections 1404.13, 1609, 1709.5, 2403 and 2404 subject to the following conditions:

1. Anchors shall be as listed and spaced as shown in the details. Anchor embedment to base material shall be beyond wall dressing or stucco.
2. When used in areas requiring wind-borne debris protection this product is required to be protected with an impact resistant covering that complies with Section R301.2.1.2 of the IRC and Section 1609.2 of the IBC.
3. Allowable design pressure requirements must be equal to or less than the design pressure rating shown in the design pressure chart, sheet 1 of this drawing.
4. Conditions not covered by this drawing are subject to further engineering analysis.

| TABLE OF CONTENTS | |
|-------------------|--|
| SHEET# | DESCRIPTION |
| 1 | Typical elevations, design pressures & general notes |
| 2 | Vertical & horizontal cross sections & frame anchoring |
| 3 | Bill of materials, glazing detail and components |



| OVERALL FRAME DIMENSION | OVERALL OPERABLE D.L.O. DIMENSION | OVERALL FIXED D.L.O. DIMENSION | GLASS TYPE | DESIGN PRESSURE (PSF) | |
|-------------------------|-----------------------------------|--------------------------------|------------|-----------------------|----------|
| | | | | POSITIVE | NEGATIVE |
| 48.0" x 60.0" | 20.88" x 55.5" | 20.88" x 55.5" | G1 | +35.0 | -35.0 |



Documents Prepared By: Lyndon F. Schmidt, P.E.
TEXAS P.E. #104123

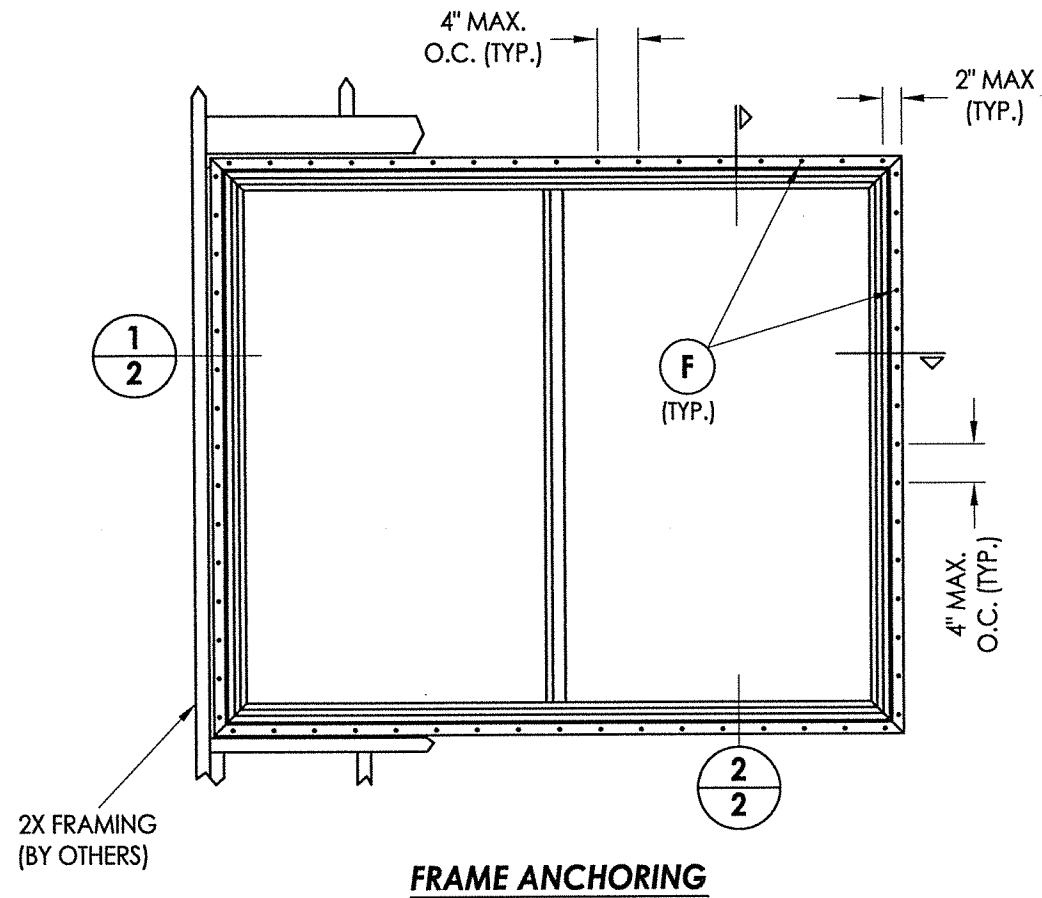
RW BUILDING CONSULTANTS, INC.
P.O. Box 230 Vairico FL 33595
Phone No.: 813.659.9197
TEXAS BOARD OF PROFESSIONAL ENGINEERS
CERTIFICATE OF REGISTRATION # F-11872

PRODUCT: HORIZONTAL SLIDER
PART OR ASSEMBLY:
TYPICAL ELEVATION, DESIGN PRESSURES & GENERAL NOTES

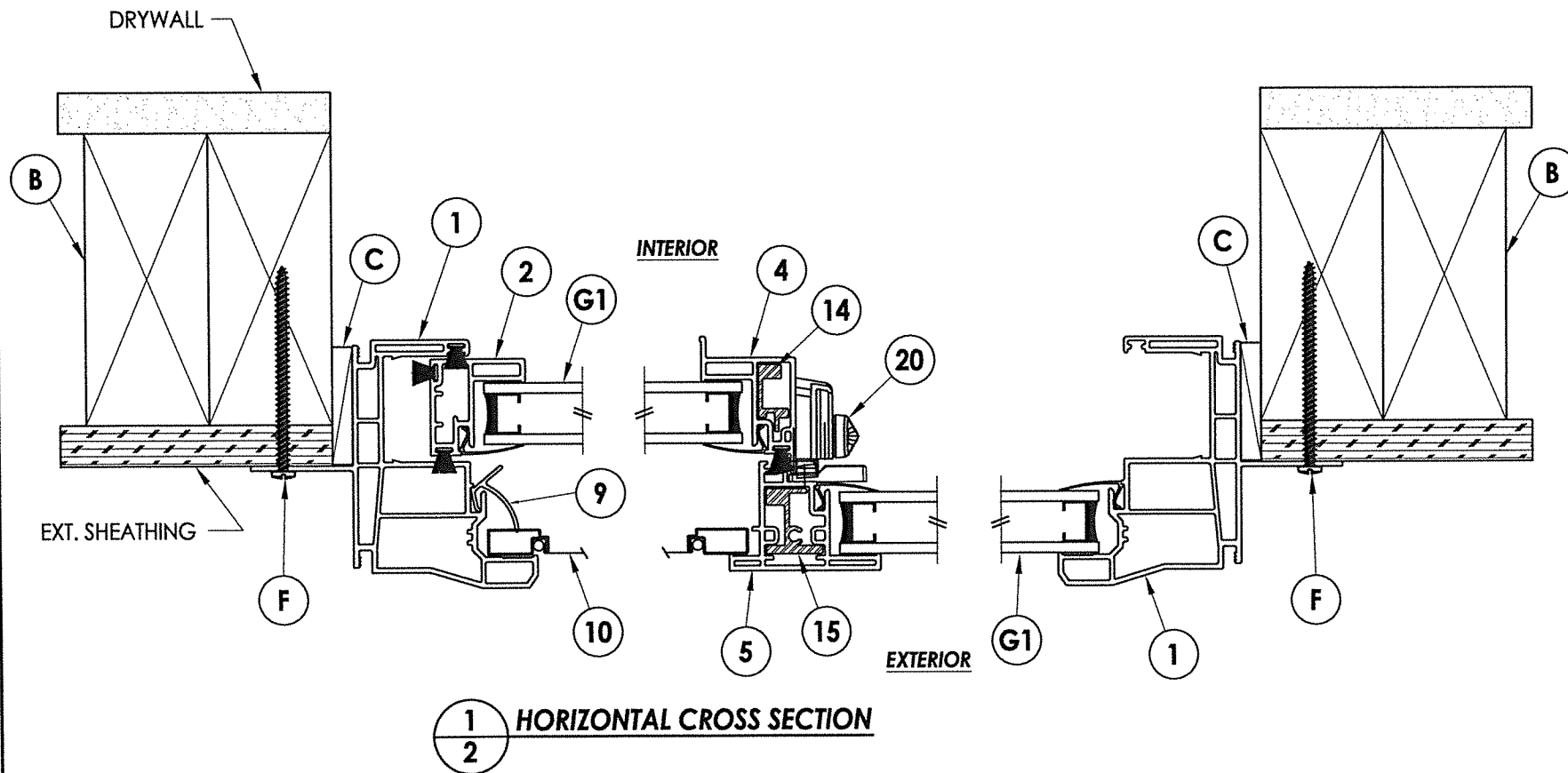
| NO. | DATE | BY | REVISIONS |
|-----|------|----|-----------|
| | | | |
| | | | |
| | | | |

DATE: 4/28/21
SCALE: N.T.S.
DWG. BY: RW
CHK. BY: LFS
DRAWING NO.: TX-5188
SHEET 1 OF 3

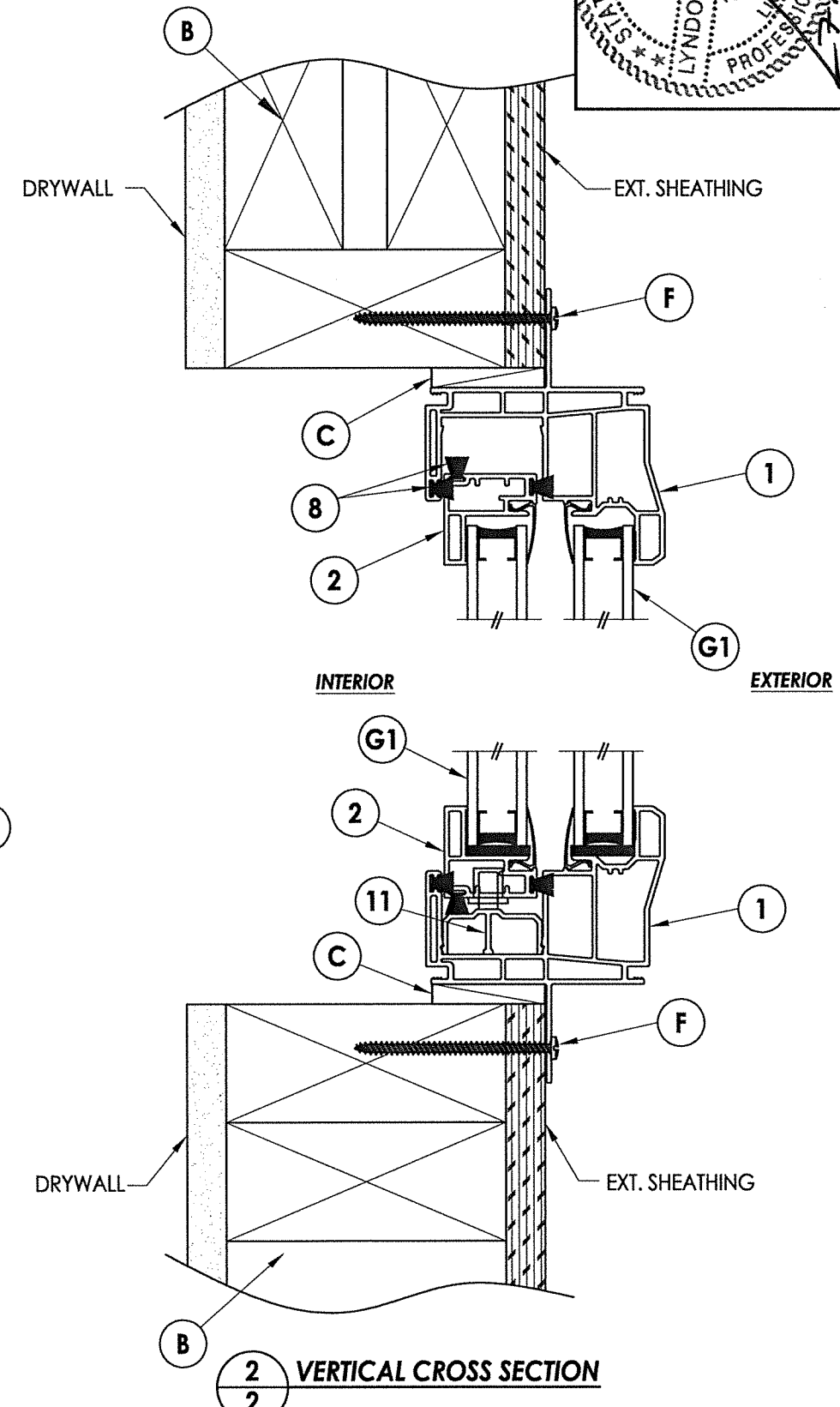
Z:\Clients\Associated PERMANENT B - Texas Dept of Ins\Horizontal Slider\WIN XXX Series 1900 Horizontal Slider\C - Drawings\TX-5187.88.dwg



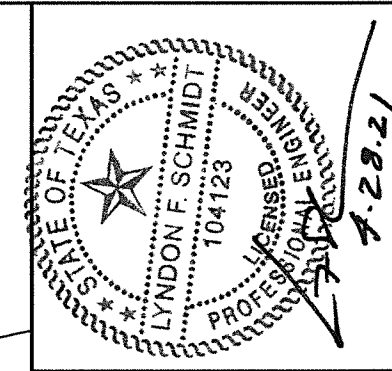
FRAME ANCHORING



1 HORIZONTAL CROSS SECTION



2 VERTICAL CROSS SECTION



Documents Prepared By: Lyndon F. Schmidt, P.E.
 TEXAS P.E. #104123

RW BUILDING CONSULTANTS, INC.
 P.O. Box 230 Valrico FL 33595
 Phone No.: 813.659.9197

TEXAS BOARD OF PROFESSIONAL ENGINEERS
 CERTIFICATE OF REGISTRATION # F-11872

PRODUCT: HORIZONTAL SLIDER

PART OR ASSEMBLY: VERTICAL & HORIZONTAL CROSS SECTIONS & FRAME ANCHORING

| NO. | DATE | BY | REVISIONS |
|-----|------|----|-----------|
| | | | |
| | | | |
| | | | |
| | | | |

DATE: 4/28/21

SCALE: N.T.S.

DWG. BY: RW

CHK. BY: LFS

DRAWING NO.: TX-5188

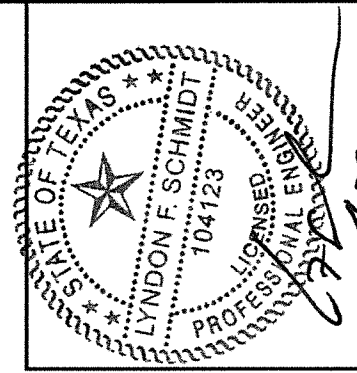
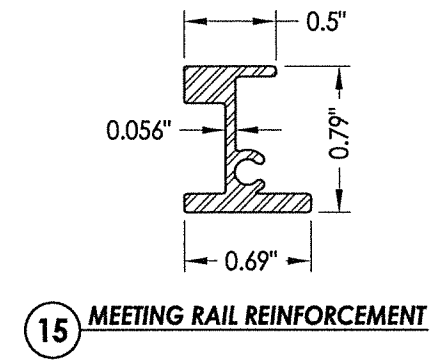
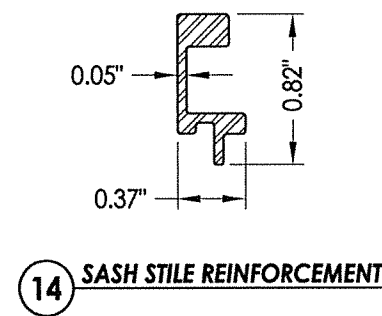
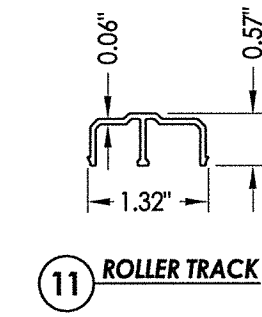
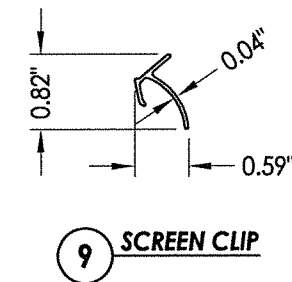
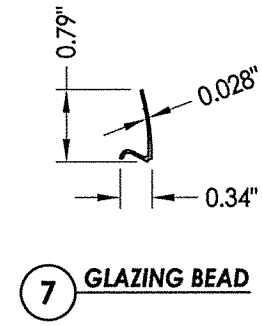
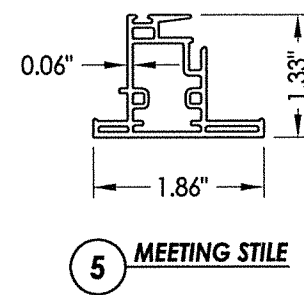
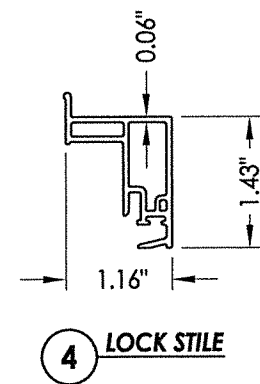
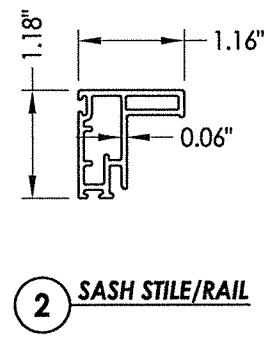
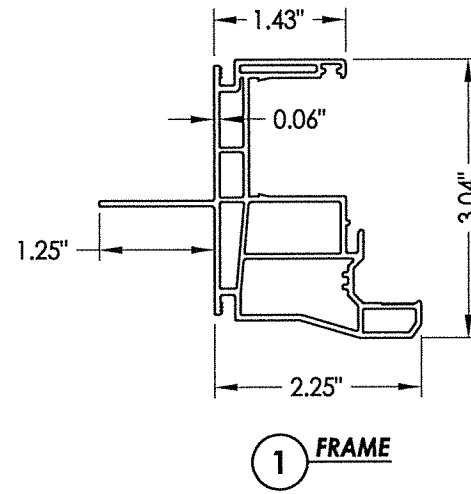
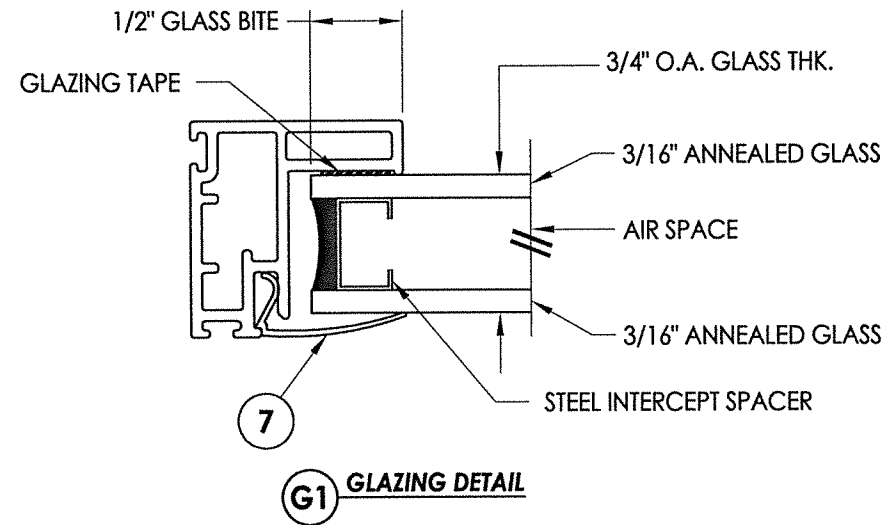
SHEET 2 OF 3

Z:\Clients\Associated PERMANENT\B - Texas Dept of Ins\Horizontal Slider\WIN XXX Series 1900 Horizontal Slider\C - Drawings\TX-5187.88.dwg

BILL OF MATERIALS

| ITEM # | DESCRIPTION | MATERIAL |
|--------|---|-----------|
| B | 2X FRAMING (SG >= 0.42) | WOOD |
| C | 1/8" MAX. SHIM SPACE | - |
| F | #8 X 2-1/2" PPH SMS (1-3/4" MIN. EMBEDMENT) | STEEL |
| 1 | EXTRUDED VINYL FRAME * | RIGID PVC |
| 2 | EXTRUDED VINYL SASH STILE/RAIL * | RIGID PVC |
| 4 | EXTRUDED VINYL LOCK STILE * | RIGID PVC |
| 5 | EXTRUDED VINYL MEETING STILE * | RIGID PVC |
| 7 | EXTRUDED VINYL GLAZING BEAD * | RIGID PVC |
| 8 | WEATHERSTRIP (FIN PILE) | - |
| 9 | SCREEN CLIP | RIGID PVC |
| 10 | SCREEN | - |
| 11 | ROLLER TRACK | RIGID PVC |
| 14 | SASH STILE REINFORCEMENT (S-047) (6063-T5) | ALUM |
| 15 | MEETING STILE REINFORCEMENT (S-065) (6063-T5) | ALUM |
| 20 | CAM LOCK | - |

*THE APPROVED WHITE RIGID PVC EXTERIOR EXTRUSIONS FOR WINDOWS ARE TO BE PRODUCED BY EXTRUDERS LICENSEES IN "AAMA CERTIFICATION PROGRAMS FOR RIGID PVC EXTRUSIONS."



Documents Prepared By: Lyndon F. Schmidt, P.E.
TEXAS P.E. #104123

RW BUILDING CONSULTANTS, INC.
P.O. Box 230 Vairco FL, 33595
Phone No.: 813.659.9197
TEXAS BOARD OF PROFESSIONAL ENGINEERS
CERTIFICATE OF REGISTRATION # F-11872

PRODUCT: HORIZONTAL SLIDER
PART OR ASSEMBLY: BILL OF MATERIALS, GLAZING DETAILS & COMPONENTS

| NO. | DATE | BY |
|-----|------|----|
| | | |
| | | |
| | | |
| | | |
| | | |

DATE: 4/28/21
SCALE: N.T.S.
DWG. BY: RW
CHK. BY: LFS
DRAWING NO.: TX-5188
SHEET 3 OF 3

© 2021 R.W. BUILDING CONSULTANTS INC.