

Verde®

"Verde" Series Fixed Window "NON-IMPACT"

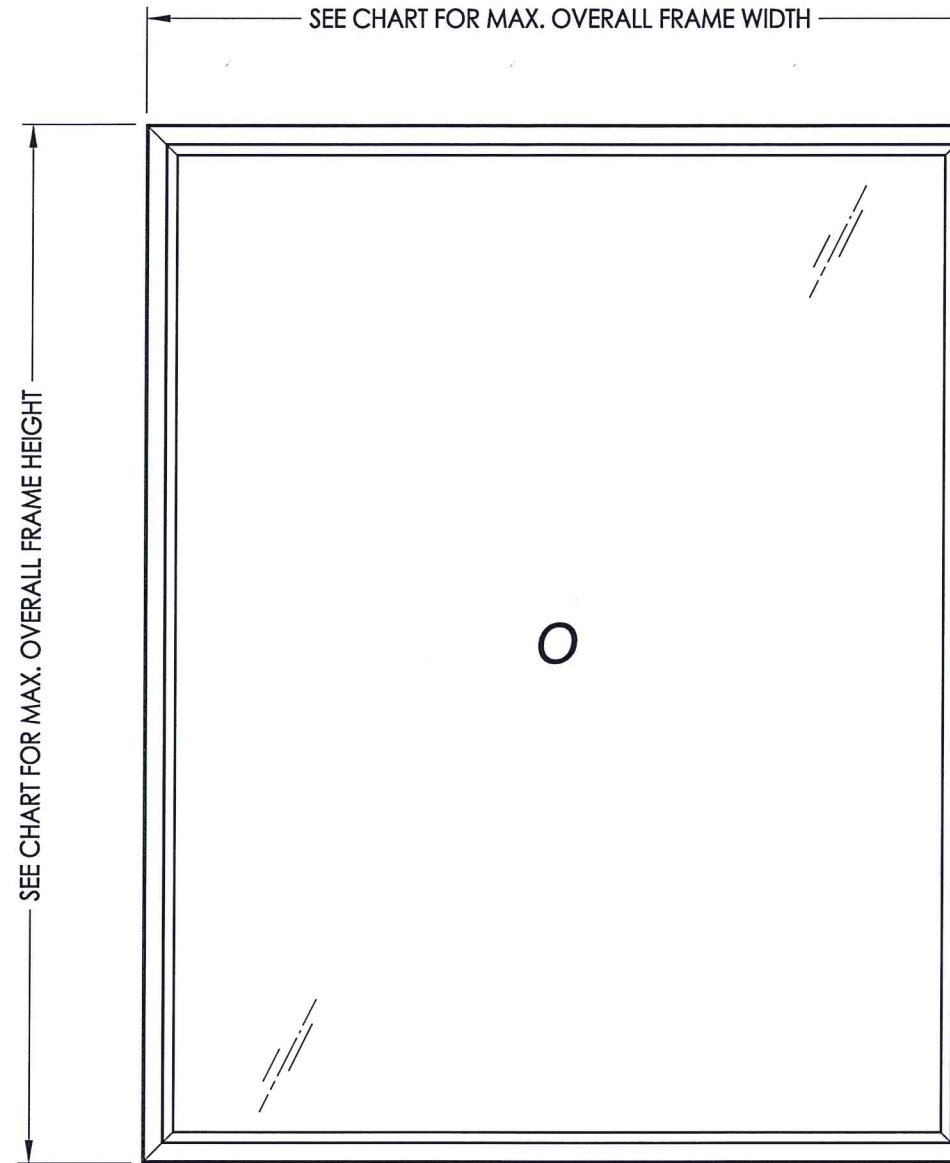
EVALUATED FOR USE IN THE STATE OF TEXAS

The Fixed Window described herein complies with the 2018 International Residential Code (IRC), Sections R301 & R609 and the 2018 International Building Code (IBC), Sections 1404.13, 1609, 1709.5, 2403 and 2404 subject to the following conditions:

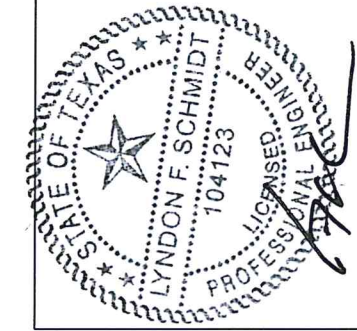
1. Anchors shall be as listed and spaced as shown in the details. Anchor embedment to base material shall be beyond roof covering.
2. When used in areas requiring wind-borne debris protection this product is required to be protected with an impact resistant covering that complies with Section R301.2.1.2 of the IRC and Section 1609.2 of the IBC.
3. Allowable design pressure requirements must be equal to or less than the design pressure rating shown in the design pressure chart, sheet 1 of this drawing.
4. Conditions not covered by this drawing are subject to further engineering analysis.

TABLE OF CONTENTS

SHEET #	DESCRIPTION
1	Typical Elevations, Design Pressures & General Notes
2	Frame Anchoring & Cross Section
3	Bill of Materials, Components & Glazing Details



MAX. OVERALL FRAME DIMENSION	MAX DAY LITE DIMENSION	GLASS TYPE	DESIGN PRESSURE (PSF)	
			POS.	NEG.
59" X 63"	53.5" x 57.5"	G1	+75.0	-85.0
72" X 90"	66.5" x 84.5"	G2	+45.0	-45.0
107" X 65"	101.5" x 59.5"	G3	+45.0	-45.0



Documents Prepared By: Lyndon F. Schmidt, P.E.
TEXAS P.E. #104123

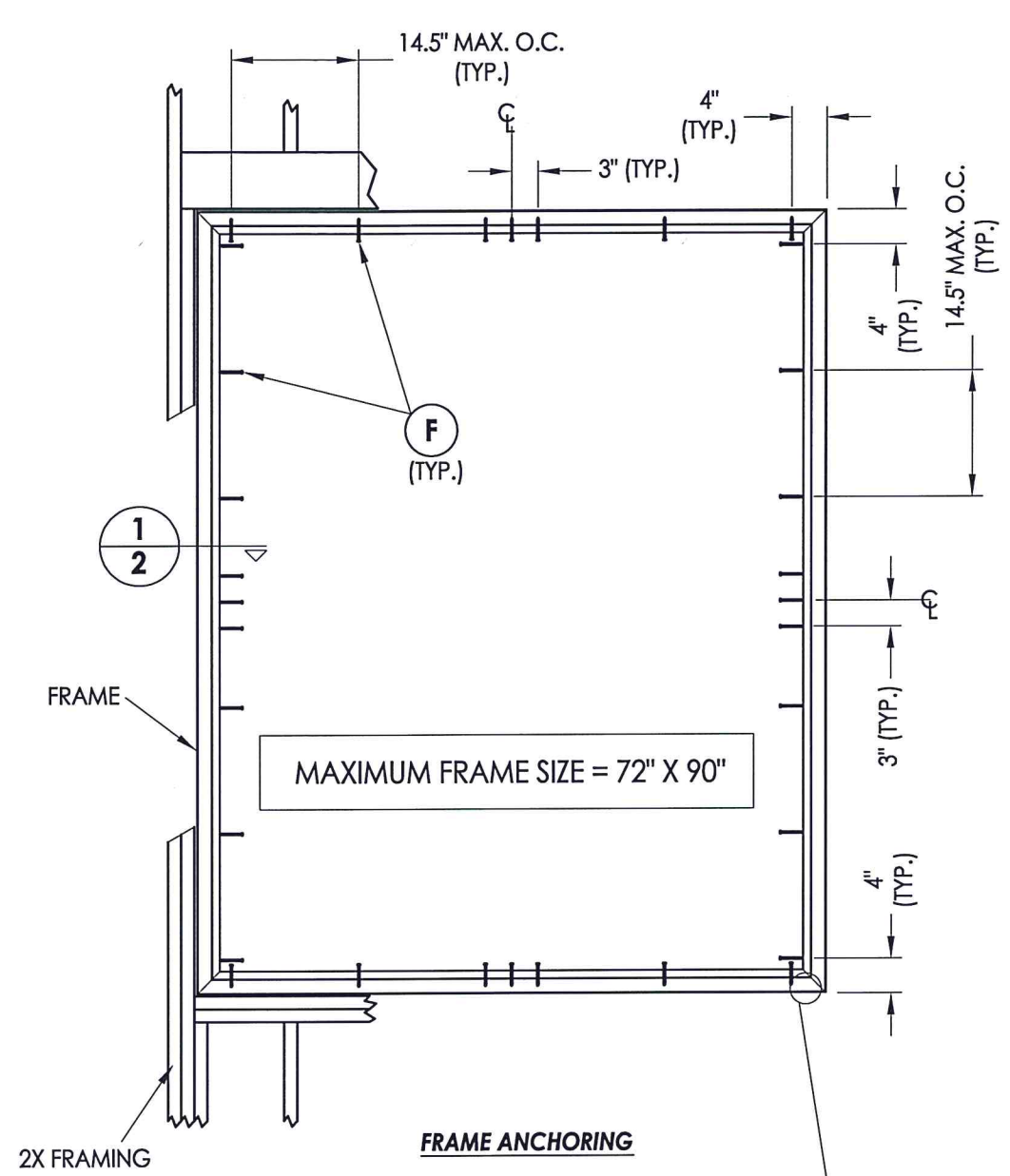
RW BUILDING CONSULTANTS, INC.
P.O. Box 230 Valrico FL, 33595
Phone No.: 813.659.9197

TEXAS BOARD OF PROFESSIONAL ENGINEERS
CERTIFICATE OF REGISTRATION # F-11852

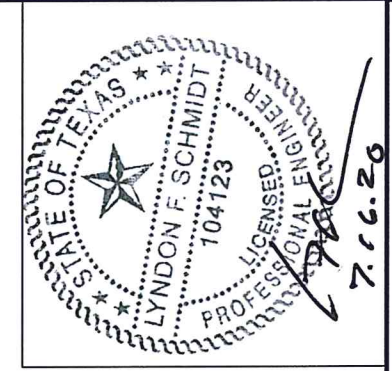
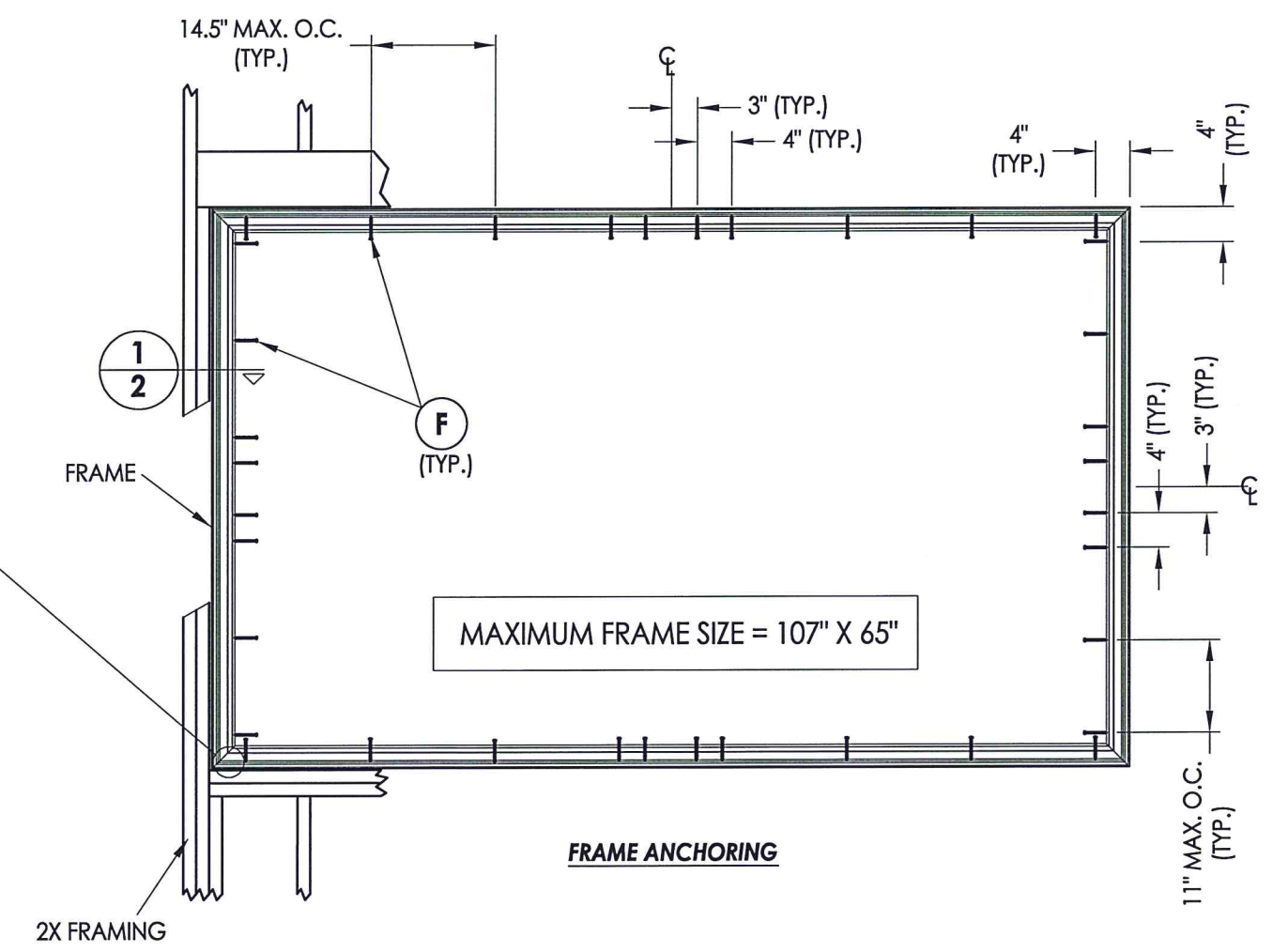
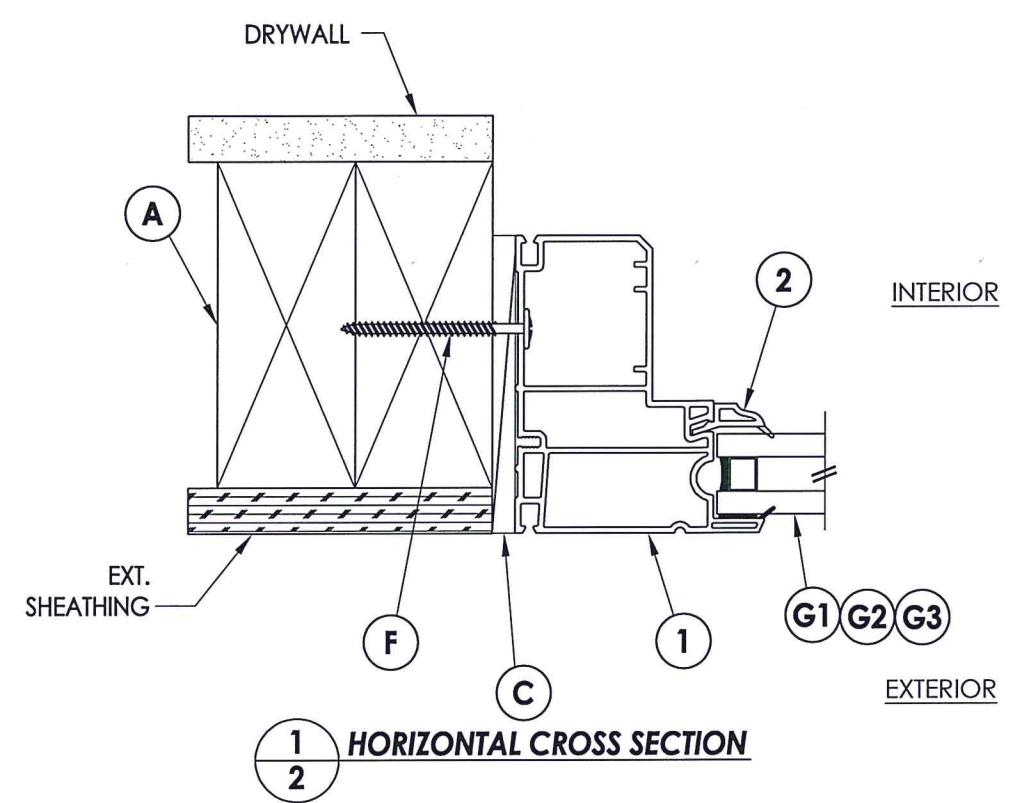
PRODUCT: FIXED WINDOW
PART OR ASSEMBLY: TYPICAL ELEVATION, DESIGN PRESSURES & GENERAL NOTES

NO.	DATE	BY	REVISIONS

DATE: 5/05/20
SCALE: N.T.S.
DWG. BY: TRJ
CHK. BY: LFS
DRAWING NO.: TX-5040
SHEET 1 OF 3



NOTE: MAX. POSITIVE DESIGN PRESSURE WITH WEEP HOLES AT EACH END = 40 PSF



Documents Prepared By: Lyndon F. Schmidt, P.E.
TEXAS P.E. #104123

RW BUILDING CONSULTANTS, INC.
P.O. Box 230 Valrico FL, 33595
Phone No.: 813.659.9197

TEXAS BOARD OF PROFESSIONAL ENGINEERS
CERTIFICATE OF REGISTRATION # F-11852

PRODUCT: FIXED WINDOW

PART OR ASSEMBLY: FRAME ANCHORING & CROSS SECTION

NO.	DATE	BY	REVISIONS

DATE: 5/05/20

SCALE: N.T.S.

DWG. BY: TRJ

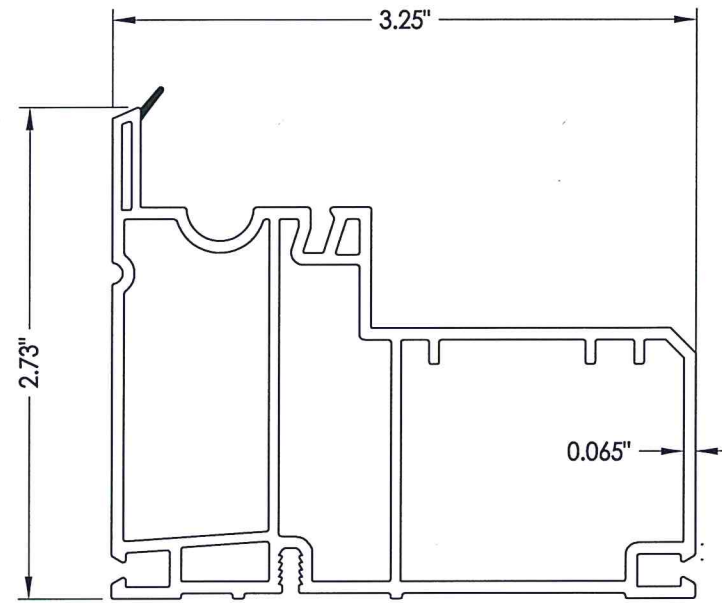
CHK. BY: LFS

DRAWING NO.: TX-5040

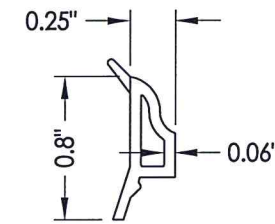
SHEET 2 OF 3

BILL OF MATERIALS		
ITEM #	DESCRIPTION	MATERIAL
A	2X FRAMING (SG >= 0.42)	WOOD
C	1/4" MAX. SHIM SPACE	-
F	#8 X 2" MODIFIED TRUSS HEAD SCREW (7/16"Ø HEAD) (1-5/8" MIN. EMBEDMENT)	STEEL
1	EXTRUDED VINYL FRAME*	RIGID PVC
2	EXTRUDED VINYL GLAZING BEAD*	RIGID PVC

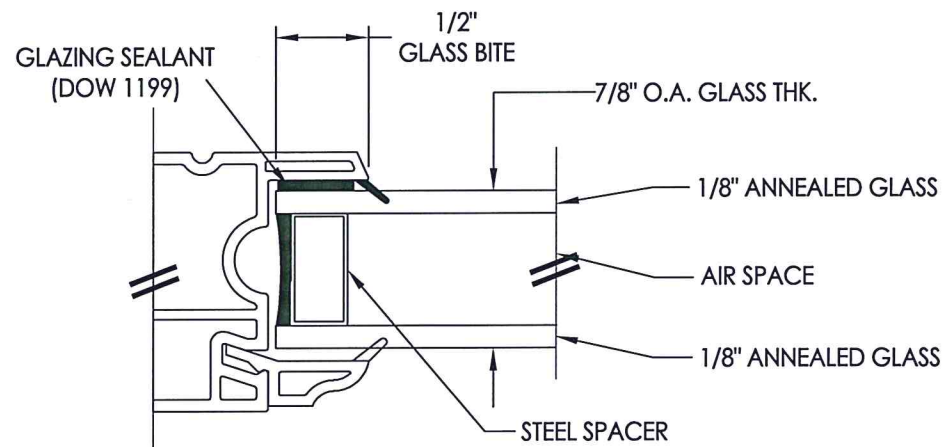
* THE APPROVED WHITE RIGID PVC EXTERIOR EXTRUSIONS FOR WINDOWS ARE TO BE PRODUCED BY EXTRUDERS LICENSEES IN "CERTIFICATION PROGRAMS FOR RIGID PVC EXTRUSIONS".



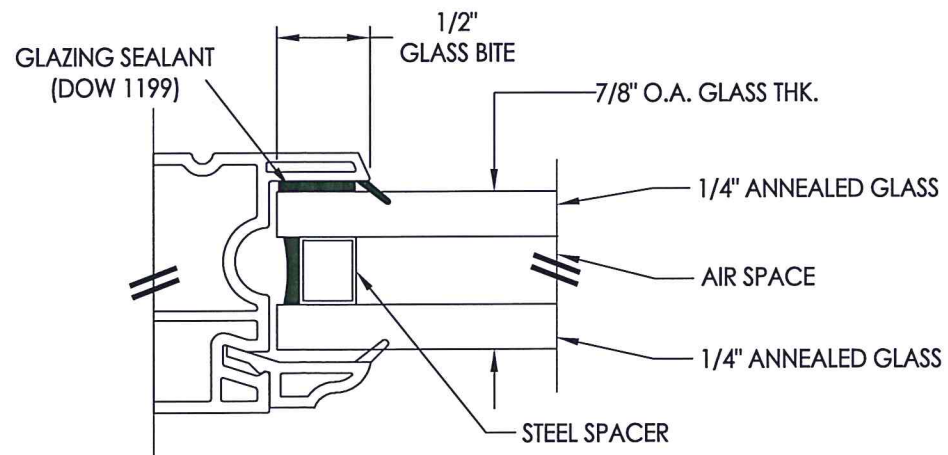
1 FRAME



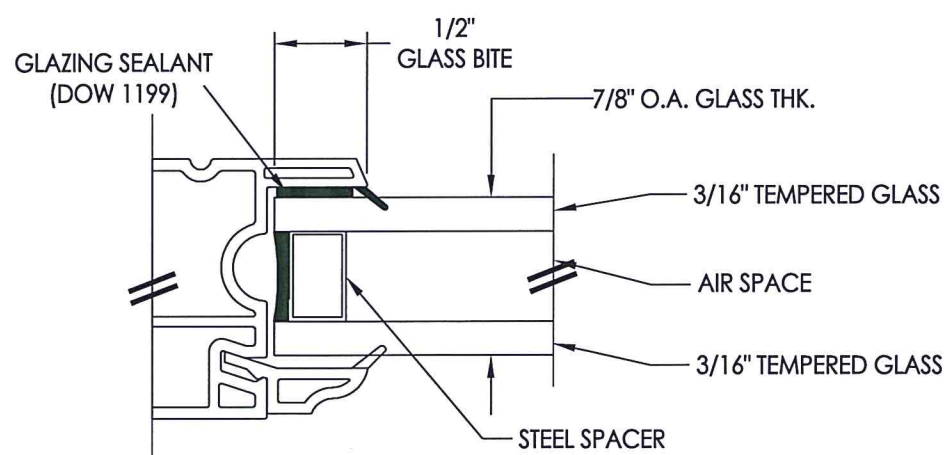
2 GLAZING BEAD



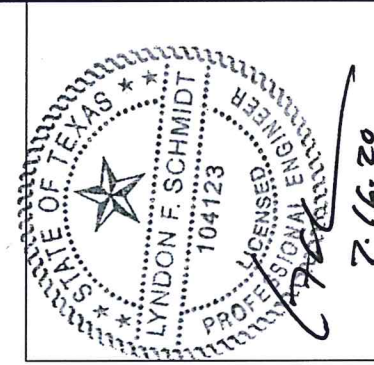
G1 GLAZING DETAIL



G2 GLAZING DETAIL



G3 GLAZING DETAIL



Documents Prepared By: Lyndon F. Schmidt, P.E.
TEXAS P.E. #104123

RW BUILDING CONSULTANTS, INC.
P.O. Box 230 Valrico FL 33595
Phone No.: 813.659.9197

TEXAS BOARD OF PROFESSIONAL ENGINEERS
CERTIFICATE OF REGISTRATION # F-11852

PRODUCT: FIXED WINDOW
PART OR ASSEMBLY: BILL OF MATERIALS, COMPONENTS & GLAZING DETAILS

NO.	DATE	BY	REVISIONS

DATE: 5/05/20
SCALE: N.T.S.
DWG. BY: TRJ
CHK. BY: LFS
DRAWING NO.: TX-5040
SHEET 3 OF 3