



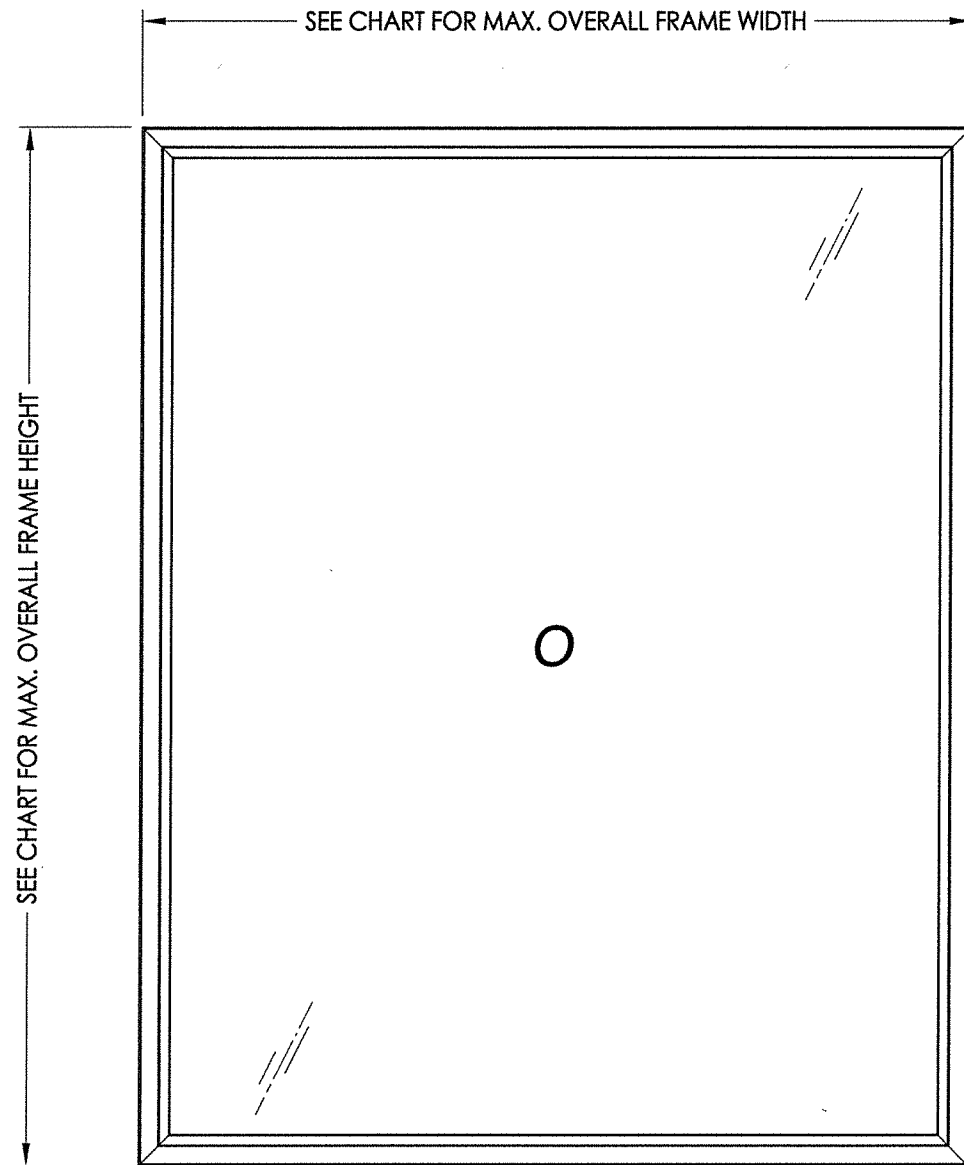
"Restorations" Series Fixed Window "NON-IMPACT"

EVALUATED FOR USE IN THE STATE OF TEXAS

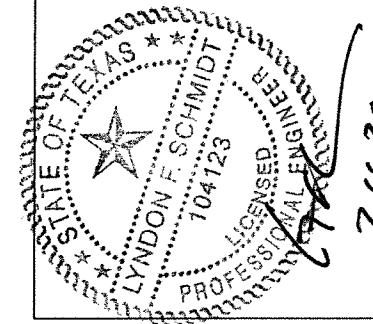
The Fixed Window described herein complies with the 2018 International Residential Code (IRC), Sections R301 & R609 and the 2018 International Building Code (IBC), Sections 1404.13, 1609, 1709.5, 2403 and 2404 subject to the following conditions:

1. Anchors shall be as listed and spaced as shown in the details. Anchor embedment to base material shall be beyond roof covering.
2. When used in areas requiring wind-borne debris protection this product is required to be protected with an impact resistant covering that complies with Section R301.2.1.2 of the IRC and Section 1609.2 of the IBC.
3. Allowable design pressure requirements must be equal to or less than the design pressure rating shown in the design pressure chart, sheet 1 of this drawing.
4. Conditions not covered by this drawing are subject to further engineering analysis.

| TABLE OF CONTENTS | |
|-------------------|--|
| SHEET # | DESCRIPTION |
| 1 | Typical Elevations, Design Pressures & General Notes |
| 2 | Frame Anchoring & Cross Section |
| 3 | Bill of Materials, Components & Glazing Details |



| MAX. OVERALL FRAME DIMENSION | MAX DAY LITE DIMENSION | GLASS TYPE | DESIGN PRESSURE (PSF) | |
|------------------------------|------------------------|------------|-----------------------|-------|
| | | | POS. | NEG. |
| 59" X 63" | 53.5" x 57.5" | G1 | +75.0 | -85.0 |
| 72" X 90" | 66.5" x 84.5" | G2 | +45.0 | -45.0 |
| 107" X 65" | 101.5" x 59.5" | G3 | +45.0 | -45.0 |



Documents Prepared By: Lyndon F. Schmidt, P.E.
TEXAS P.E. #104123

RW BUILDING CONSULTANTS, INC.
P.O. Box 230 Valrico FL 33595
Phone No.: 813.659.9197

TEXAS BOARD OF PROFESSIONAL ENGINEERS
CERTIFICATE OF REGISTRATION # F-11852

PRODUCT: FIXED WINDOW

PART OR ASSEMBLY: TYPICAL ELEVATION, DESIGN PRESSURES & GENERAL NOTES

| NO. | DATE | BY | REVISIONS |
|-----|------|----|-----------|
| | | | |
| | | | |
| | | | |
| | | | |

DATE: 5/05/20

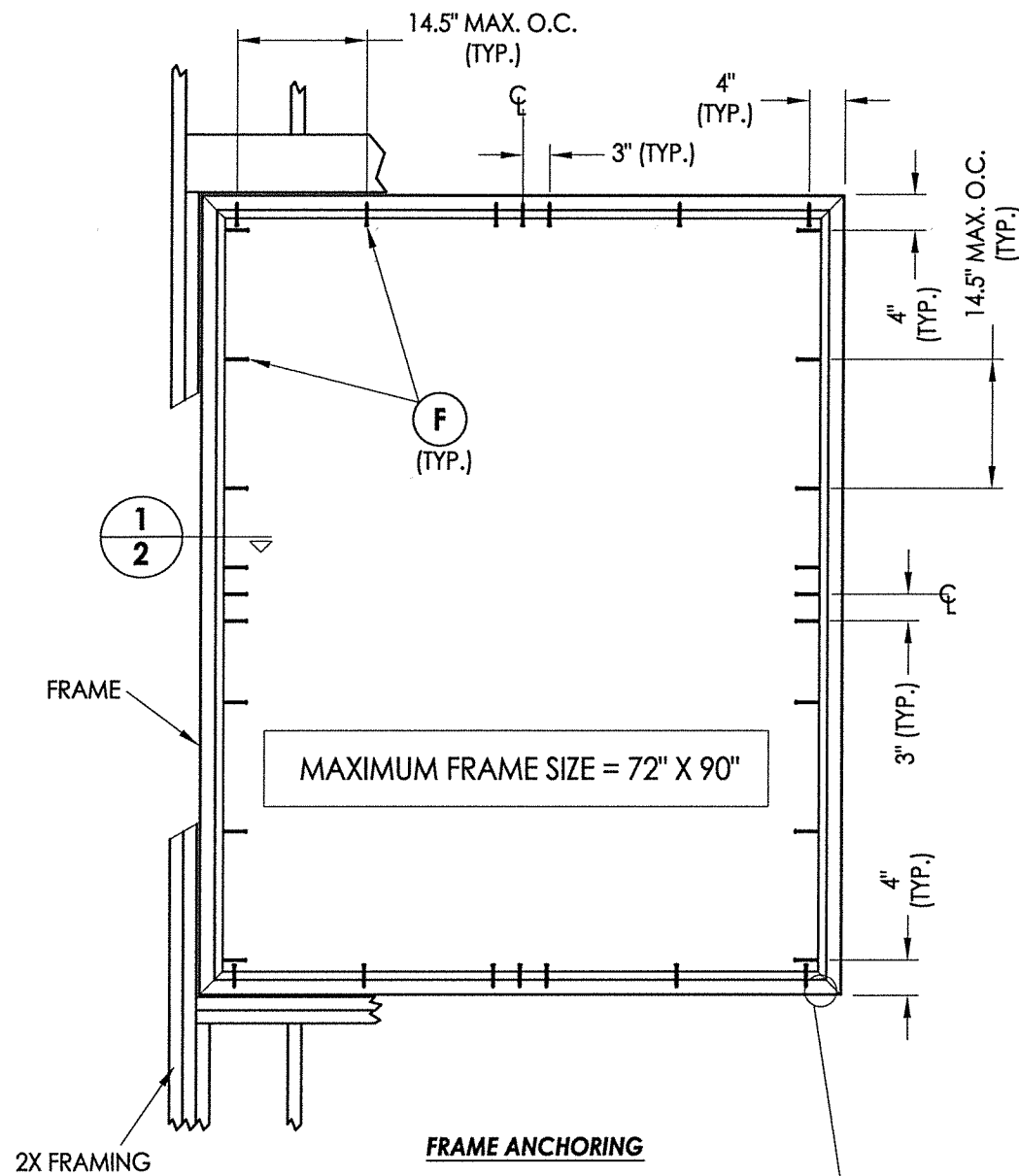
SCALE: N.T.S.

DWG. BY: TRJ

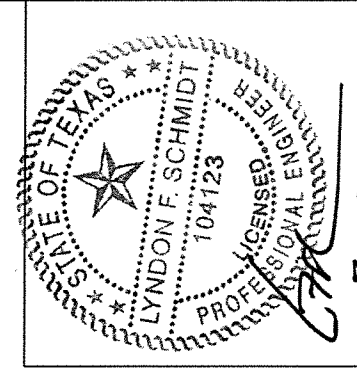
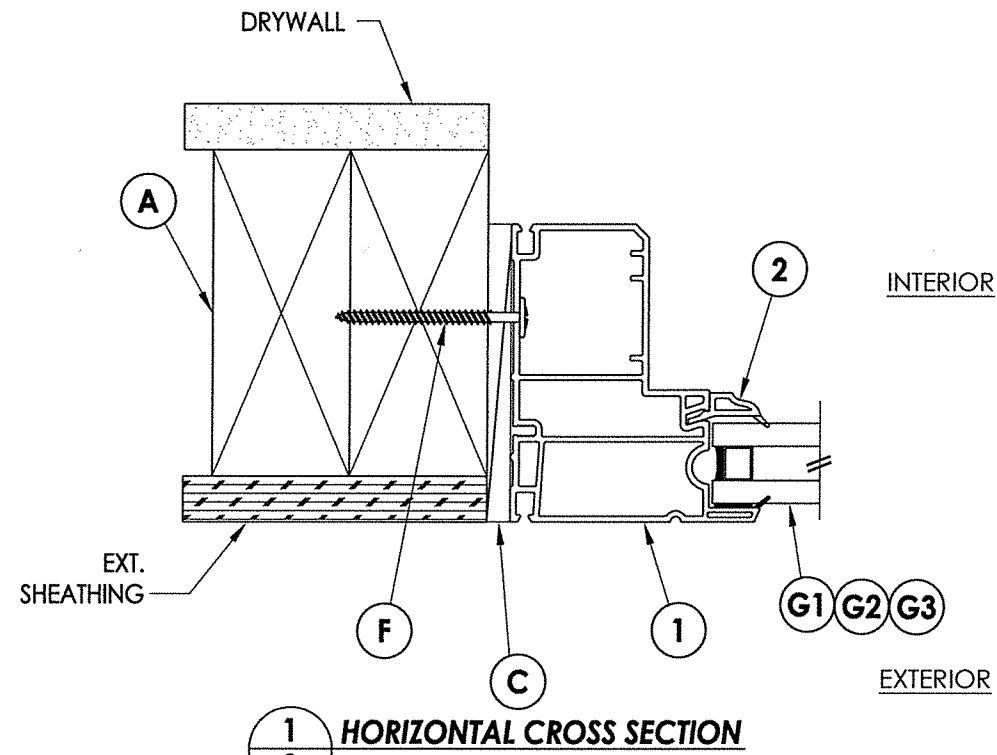
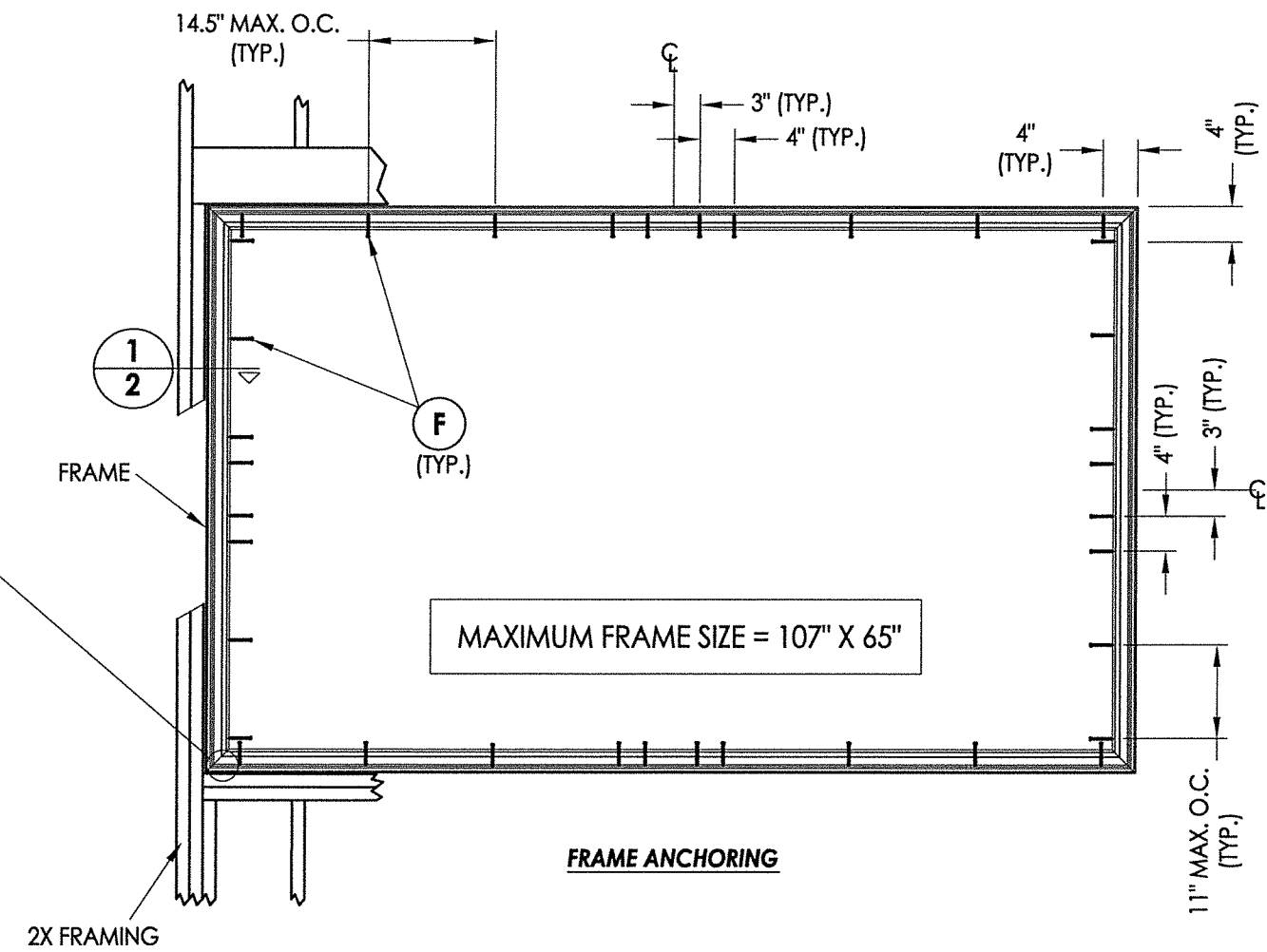
CHK. BY: LFS

DRAWING NO.: TX-5042

SHEET 1 OF 3



NOTE: MAX. POSITIVE DESIGN PRESSURE WITH WEEP HOLES AT EACH END = 40 PSF



Documents Prepared By: Lyndon F. Schmidt, P.E.
 TEXAS P.E. #104123

RW BUILDING CONSULTANTS, INC.
 P.O. Box 230 Valrico FL, 33595
 Phone No.: 813.659.9197

TEXAS BOARD OF PROFESSIONAL ENGINEERS
 CERTIFICATE OF REGISTRATION # F-11852

PRODUCT: FIXED WINDOW

PART OR ASSEMBLY: FRAME ANCHORING & CROSS SECTION

| NO. | DATE | BY | REVISIONS |
|-----|------|----|-----------|
| | | | |
| | | | |
| | | | |
| | | | |
| | | | |
| | | | |
| | | | |
| | | | |
| | | | |

DATE: 5/05/20

SCALE: N.T.S.

DWG. BY: TRJ

CHK. BY: LFS

DRAWING NO.: TX-5042

SHEET 2 OF 3

