

GENERAL NOTES

1. THE PRODUCT SHOWN HEREIN IS DESIGNED AND MANUFACTURED TO COMPLY WITH THE REQUIREMENTS OF THE 2018 INTERNATIONAL BUILDING CODE AND 2018 INTERNATIONAL RESIDENTIAL CODE.
2. THIS DOCUMENT ADDRESSES ONLY PRODUCT ANCHORAGE TO ACHIEVE THE INDICATED DESIGN PRESSURES AT THE INDICATED SIZES, IN THE CONFIGURATION SHOWN IN THE ELEVATIONS. INSTALL PRODUCTS WITH MAXIMUM SHIM GAP, MINIMUM EDGE DISTANCE AND EMBEDMENT, AND WITH FASTENER TYPE AS SHOWN IN THE DETAILS AND AS INDICATED IN TABLE 1. FOR FULL PRODUCT CONSTRUCTION DETAILS SEE INTERTEK TEST REPORTS J4102/3.02-501-44 & J4093.02-501-44.
3. THIS PRODUCT AS SHOWN IN THIS DRAWING IS NON-IMPACT RESISTANT AND REQUIRES THE USE OF IMPACT PROTECTIVE DEVICES (SHUTTERS) IN WINDBORNE DEBRIS REGIONS.
4. INSTALLED GLAZING SHALL MEET ASTM E-1300 FOR THE APPLICABLE DESIGN PRESSURES AND WINDOW SIZE.
5. THE 4/3 ALLOWABLE STRESS INCREASE FACTOR (SHORT-TERM INCREASE FACTOR) HAS NOT BEEN USED IN THE ANCHOR ANALYSIS FOR THIS SYSTEM. THE 1.6 Cd FACTOR WAS USED IN THE ANALYSIS OF ANCHORAGE INTO WOOD SUBSTRATE.
6. THE OPENING SUBSTRATE MATERIALS (FRAMING, MASONRY, BUCKS) AND ATTACHMENT OF BUCKS TO THE SUBSTRATE ARE BY OTHERS AND SHALL BE VERIFIED BY THE ARCHITECT OR ENGINEER OF RECORD OR AS APPROVED BY THE AUTHORITY HAVING JURISDICTION (AHJ). BUCKING, OPENINGS, & BUCKING FASTENERS MUST BE PROPERLY DESIGNED & INSTALLED BY OTHERS IN ACCORDANCE WITH THE FBC TO TRANSFER SUPERIMPOSED LOADS TO THE STRUCTURE. WITH MASONRY OPENINGS, WOOD BUCKS ARE OPTIONAL.
7. DISSIMILAR MATERIALS THAT COME INTO CONTACT SHALL BE COATED OR OTHERWISE PROTECTED TO PREVENT GALVANIC REACTIONS. WOOD BUCKS, IF USED, SHALL BE PRESSURE TREATED, WITH EITHER A TREATMENT OR COATING COMPATIBLE WITH THIS PRODUCT.
8. ANCHORAGE NOTES: ALL ANCHORS USED SHALL BE OF A MATERIAL OR HAVE A COATING COMPATIBLE WITH THE PRESSURE TREATED WOOD BUCKS AND ALL OTHER WINDOW MATERIALS. INSTALL ONE ANCHOR AT EACH LOCATION SHOWN IN THE ELEVATION. INSTALL SHIMS AT EACH ANCHOR LOCATION WHERE A GAP OF 1/16" OR GREATER EXISTS BETWEEN PRODUCT FRAME AND SUBSTRATE. SHIMS SHALL BE LOAD-BEARING (PLASTIC OR METALLIC) AND CAPABLE OF TRANSFERRING LOADS TO SUBSTRATE. SPECIFIED ANCHOR EMBEDMENT TO SUBSTRATE SHALL BE BEYOND WALL FINISH OR STUCCO. FOR MASONRY WITH WOOD BUCKS LESS THAN 1-1/2" THICK EMBEDMENT SHALL BE BEYOND WOOD BUCKS AND INTO MASONRY. WOOD BUCKS 1-1/2" THICK OR GREATER SHALL HAVE EMBEDMENT INTO THE WOOD BUCKS.
9. ALL HARDWARE & FASTENERS SHALL BE IN ACCORDANCE WITH THESE DRAWINGS, OR AS APPROVED, SIGNED, AND SEALED BY A TEXAS-REGISTERED PROFESSIONAL ENGINEER ON A SITE-SPECIFIC BASIS.
10. SEALING AND FLASHING STRATEGIES FOR OVERALL WATER INFILTRATION RESISTANCE OF THE INSTALLED PRODUCT SHALL BE THE RESPONSIBILITY OF OTHERS AND ARE NOT ADDRESSED BY THIS DOCUMENT.

INSPIRA HORIZONTAL SLIDING WINDOW, NON-IMPACT

DESIGN PRESSURE CHART

FRAME TYPE	MAX. SIZE AND CONFIGURATION	DESIGN PRESSURE RATING	MAXIMUM REPLACEMENT JAMB ANCHOR SPACING
NEW CONSTR.	71" W X 56" H XX 2SL	+25/-25 PSF	-
REPLACEMENT	71" W X 56" H XX 2SL	+35/-35 PSF	12-1/4"
NEW CONSTR.	63" W X 44" H XX 2SL	+40/-40 PSF	-
REPLACEMENT	63" W X 44" H XX 2SL	+45/-50 PSF	9-5/8"
REPLACEMENT	109" W X 66" H XOX EQUAL LITE	+25/-25 PSF	11-1/8"
REPLACEMENT	93" W X 66" H XOX EQUAL LITE	+25/-25 PSF	13-1/8"
NEW CONSTR.	93" W X 44" H XOX EQUAL LITE	+35/-35 PSF	-
REPLACEMENT	93" W X 44" H XOX EQUAL LITE	+40/-40 PSF	8-1/8"
REPLACEMENT	93" W X 66" H XOX 1/4-1/2-1/4	+25/-25 PSF	13-1/8"
NEW CONSTR.	93" W X 44" H XOX 1/4-1/2-1/4	+35/-35 PSF	-
REPLACEMENT	93" W X 44" H XOX 1/4-1/2-1/4	+40/-40 PSF	8-1/8"

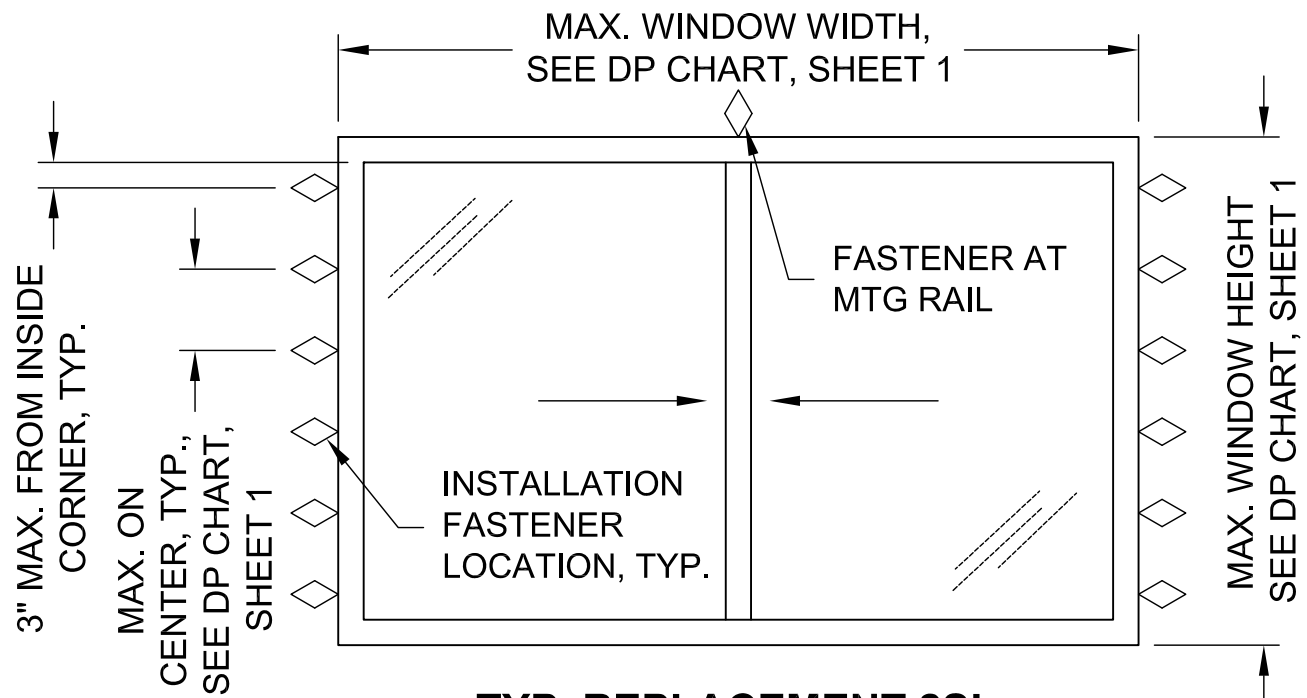
NORTHEAST BUILDING PRODUCTS
 4280 Aramingo Ave., Philadelphia, PA 19124
 Ph. (215) 535-7110 www.camelotwindows.com

SHEET DESCRIPTION: NOTES, ELEVATION	DATE DRAWN: 2/10/2020
SCALE: NTS	REV: 0
DRAWING: TDI-INSPIRA-HS-NI	SHEET: 1 OF 4

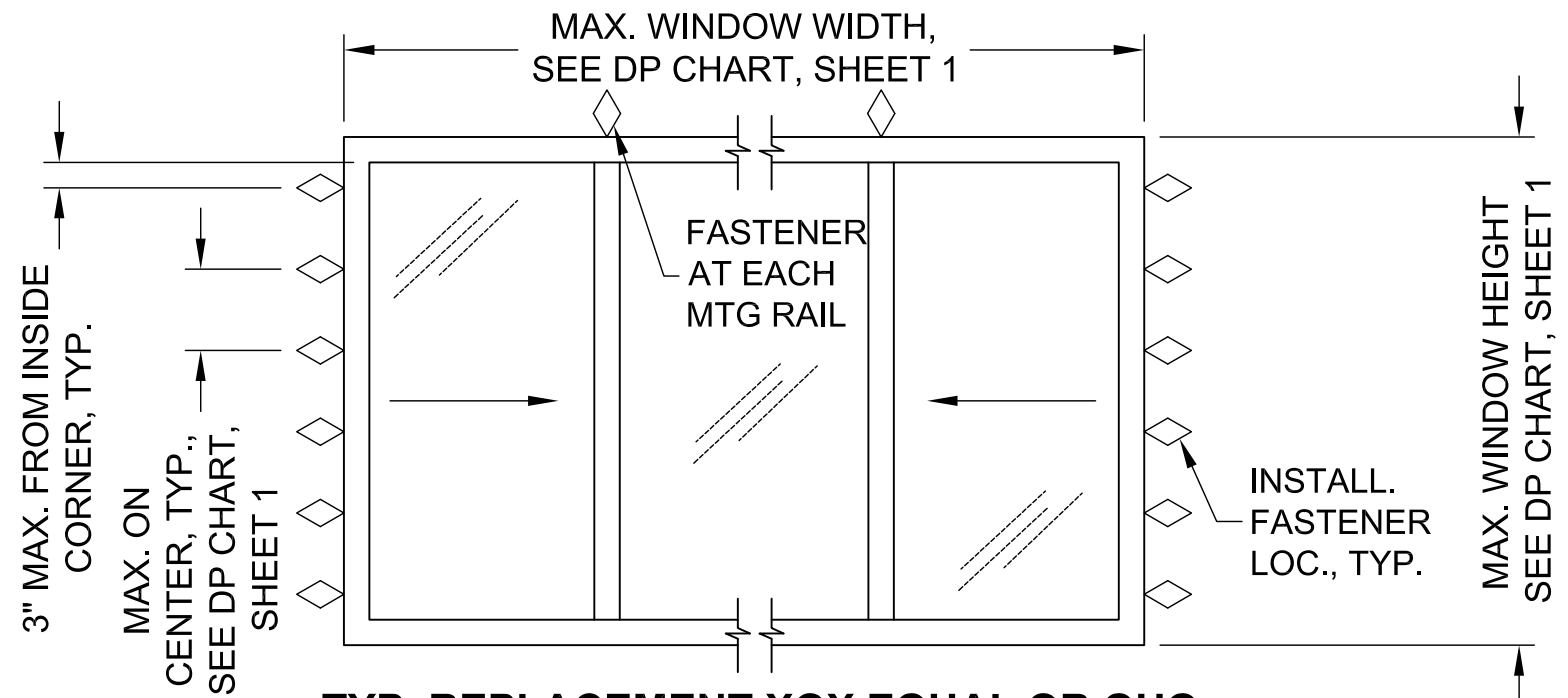


11/12/2020
 Lucas A. Turner, P.E.
 TX PE #115094
 2428 Old Natchez Trc Trl
 Camden, TN 38320
 Ph. 941-380-1574

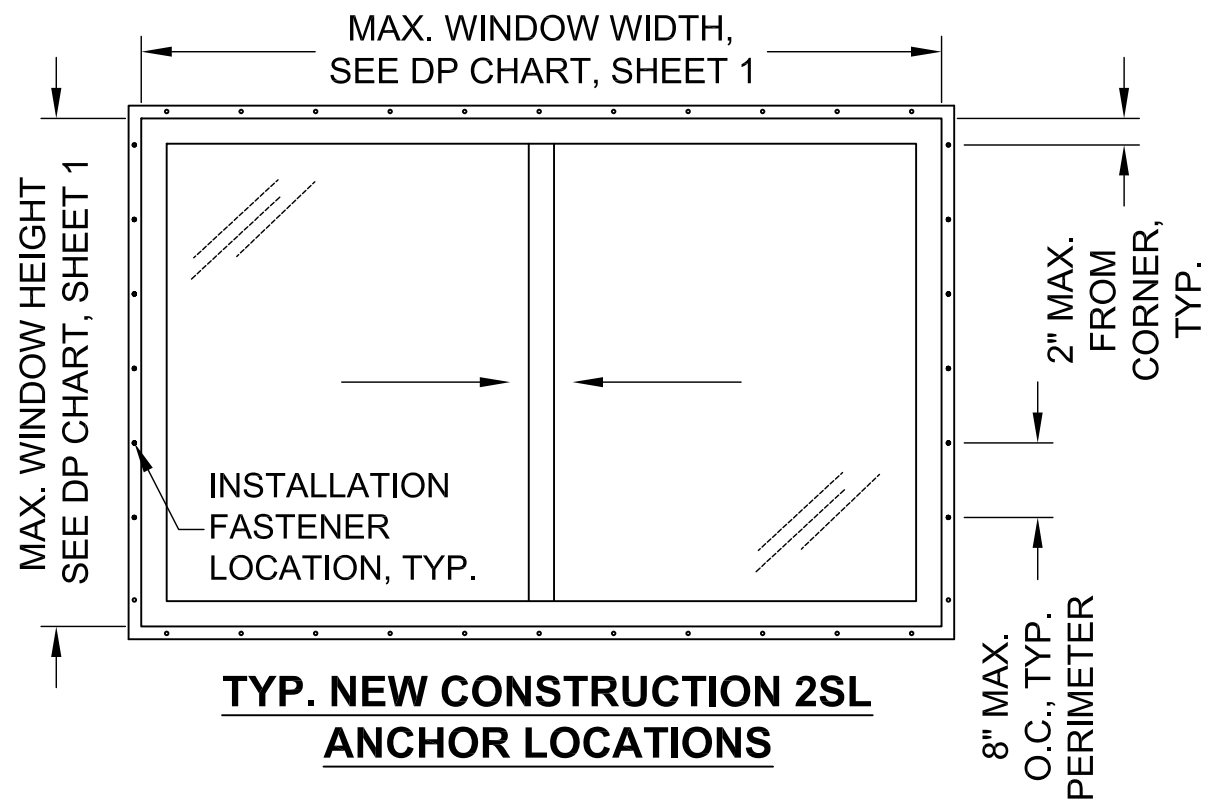
INSPIRA HORIZONTAL SLIDING WINDOW, NON-IMPACT



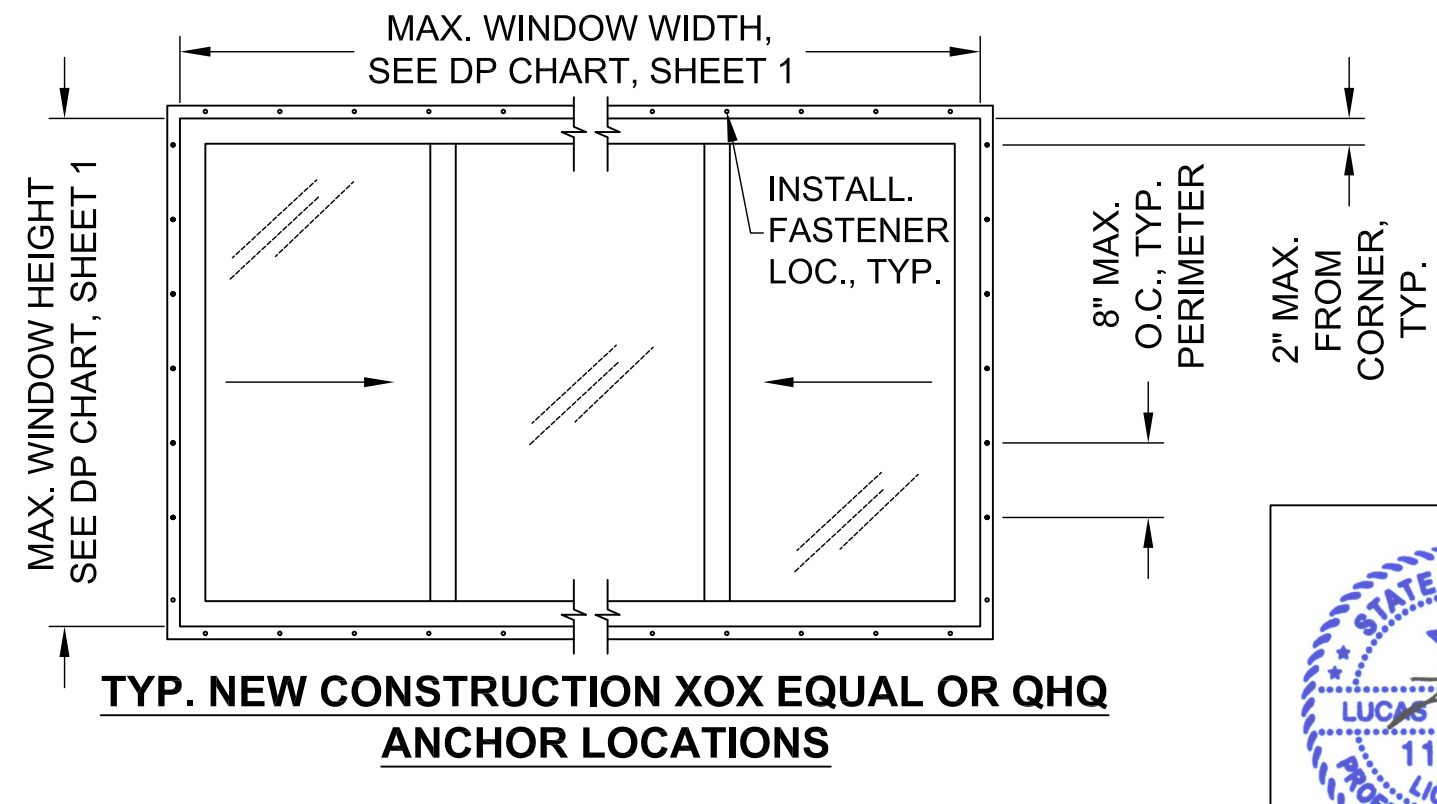
**TYP. REPLACEMENT 2SL
ANCHOR LOCATIONS**



**TYP. REPLACEMENT XOQ EQUAL OR QHQ
ANCHOR LOCATIONS**



**TYP. NEW CONSTRUCTION 2SL
ANCHOR LOCATIONS**



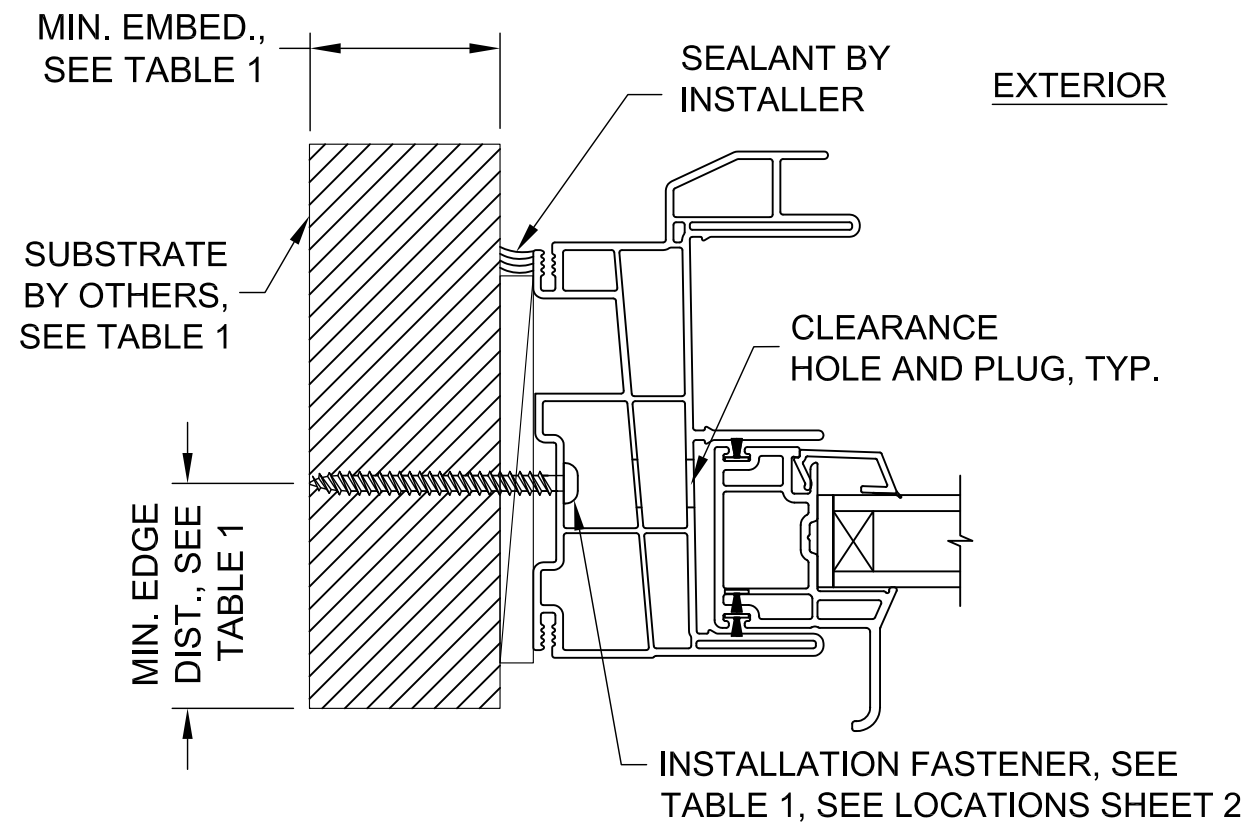
**TYP. NEW CONSTRUCTION XOQ EQUAL OR QHQ
ANCHOR LOCATIONS**

NORTHEAST BUILDING PRODUCTS 4280 Aramingo Ave., Philadelphia, PA 19124 Ph. (215) 535-7110 www.camelotwindows.com	
SHEET DESCRIPTION: NOTES, ELEVATION	DATE DRAWN: 2/10/2020
SCALE: NTS	REV: 0
DRAWING: TDI-INSPIRA-HS-NI	SHEET: 2 OF 4



11/12/2020
Lucas A. Turner, P.E.
TX PE #115094
2428 Old Natchez Trc Trl
Camden, TN 38320
Ph. 941-380-1574

INSPIRA HORIZONTAL SLIDING WINDOW, NON-IMPACT, REPLACEMENT



TYPICAL JAMB HORIZONTAL SECTION

INNER SASH JAMB SHOWN,
OUTER SASH JAMB SIMILAR

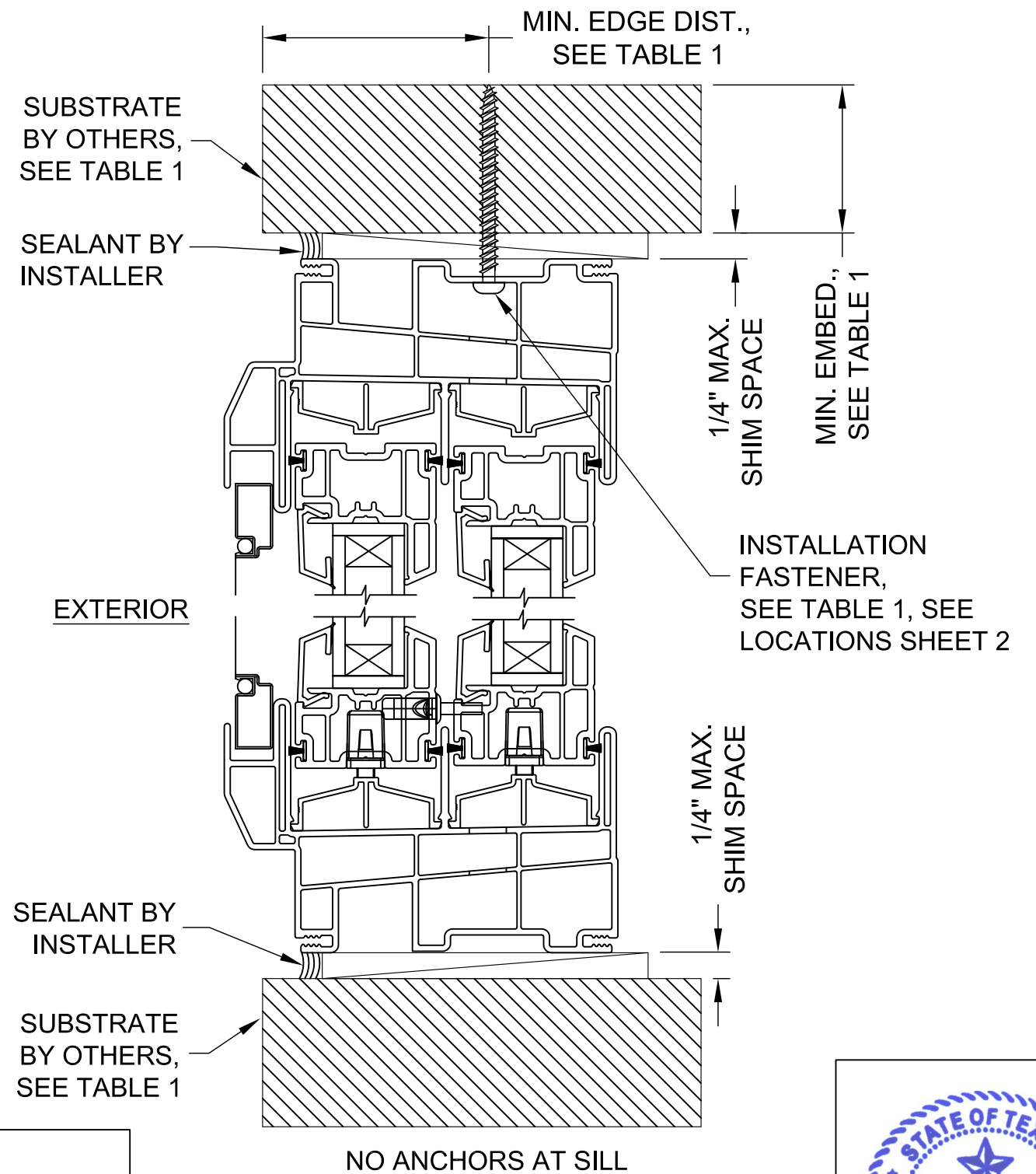


TABLE 1: REPLACEMENT FRAME INSTALLATION ANCHOR REQUIREMENTS TABLE

SUBSTRATE TYPE	ANCHOR TYPE	MIN. EMBED.	MIN. EDGE DIST.
CONCRETE (2.0 KSI MIN)	3/16" ITW TAPCON	1"	1 1/8"
HOLLOW OR GROUT-FILLED CMU (117 PCF MIN.)	3/16" ITW TAPCON	1"	2"
CONCRETE (2.85 KSI MIN.)	3/16" ELCO ULTRACON	1"	1"
HOLLOW OR GROUT-FILLED CMU (ASTM C90)	3/16" ELCO ULTRACON	1-1/4"	2 1/2"
2X MIN. SPRUCE-PINE-FIR WOOD (G=0.42)	#8 WOOD SCREW	1-3/8"	1"
16 GAUGE (0.060") MIN. STEEL STUD, 33KSI YIELD MIN., OR 1/8" ALUM. 6063-T5 MIN.	#10-16 HILTI KWIK-FLEX OR ITW TEKS SELF-DRILLING SCREW	FULL	1/2"

NORTHEAST BUILDING PRODUCTS

4280 Aramingo Ave., Philadelphia, PA 19124
Ph. (215) 535-7110 www.camelotwindows.com

SHEET DESCRIPTION:
REPLACEMENT INSTALLATION

DATE DRAWN:
2/10/2020

SCALE: NTS

REV: 0

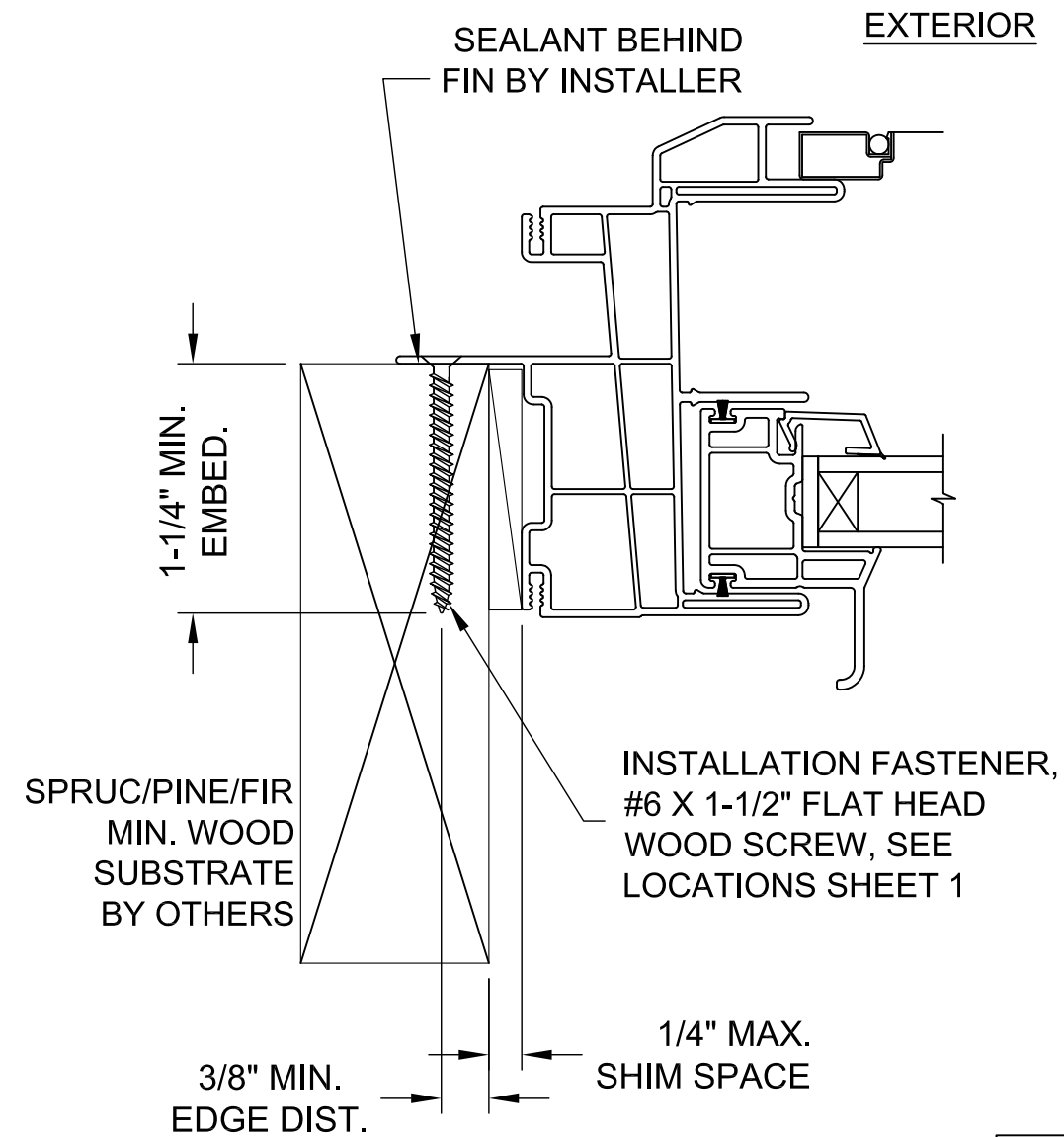
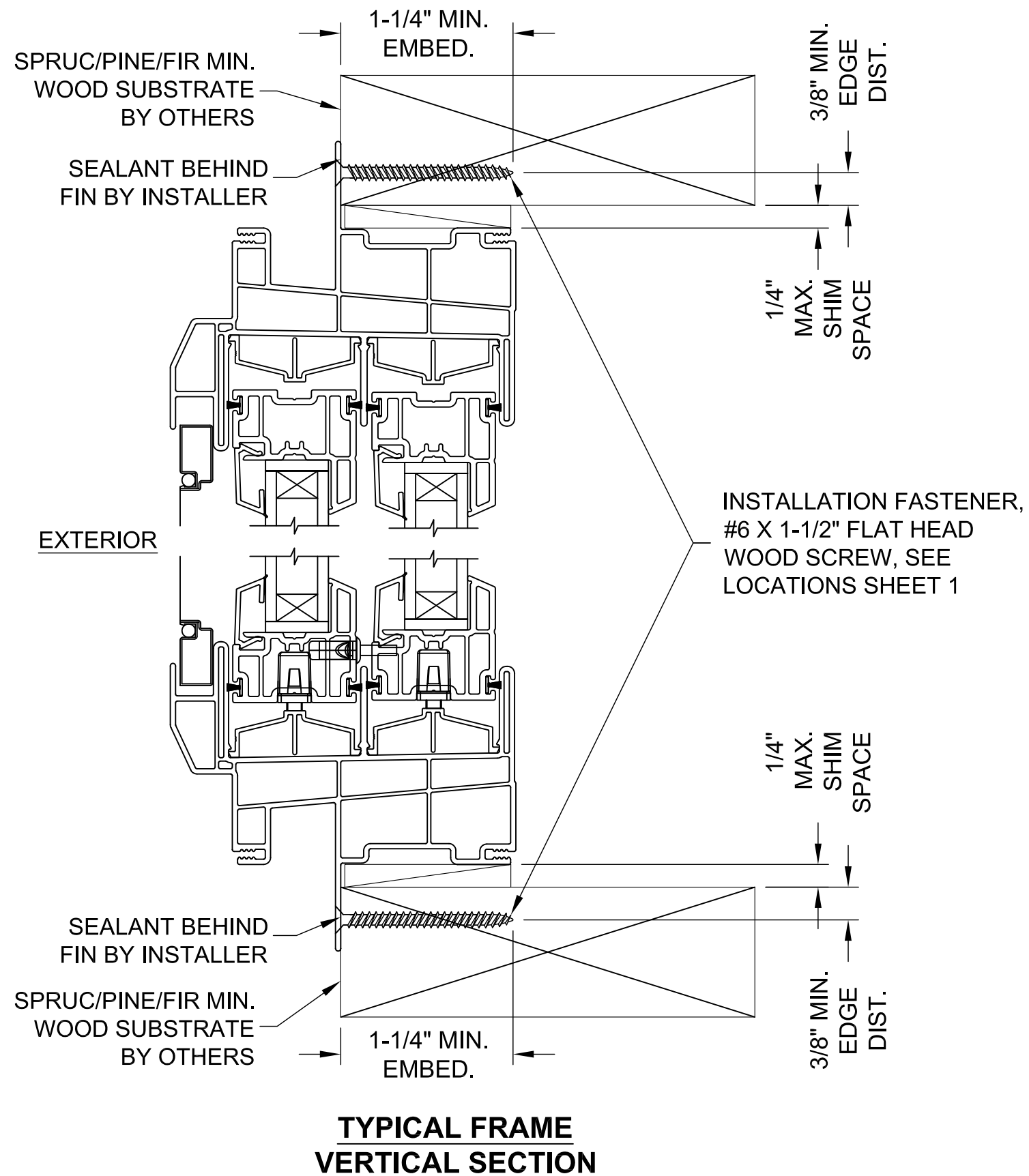
DRAWING: TDI-INSPIRA-HS-NI

SHEET: 3 OF 4



11/12/2020
Lucas A. Turner, P.E.
TX PE #115094
2428 Old Natchez Trc Trl
Camden, TN 38320
Ph. 941-380-1574

INSPIRA HORIZONTAL SLIDING WINDOW, NON-IMPACT, NEW CONSTRUCTION

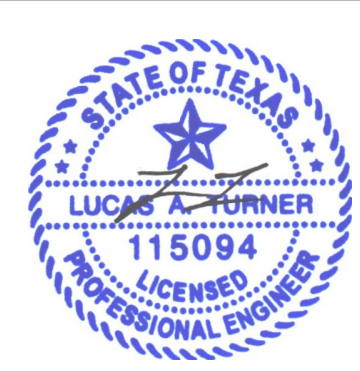


TYPICAL JAMB HORIZONTAL SECTION

INNER SASH JAMB SHOWN, OUTER SASH JAMB SIMILAR

NORTHEAST BUILDING PRODUCTS
 4280 Aramingo Ave., Philadelphia, PA 19124
 Ph. (215) 535-7110 www.camelotwindows.com

SHEET DESCRIPTION: NEW CONSTR. INSTALLATION	DATE DRAWN: 2/10/2020
SCALE: NTS	REV: 0
DRAWING: TDI-INSPIRA-HS-NI	SHEET: 4 OF 4



11/12/2020
 Lucas A. Turner, P.E.
 TX PE #115094
 2428 Old Natchez Trc Trl
 Camden, TN 38320
 Ph. 941-380-1574