

REVISIONS			
REV	DESCRIPTION	DATE	APPROVED

NOTES:

1. THE PRODUCT SHOWN HEREIN IS DESIGNED AND MANUFACTURED TO COMPLY WITH REQUIREMENTS OF THE 2018 IRC AND THE 2018 IBC.
2. WOOD FRAMING AND MASONRY OPENING TO BE DESIGNED AND ANCHORED TO PROPERLY TRANSFER ALL LOADS TO STRUCTURE. FRAMING AND MASONRY OPENING IS THE RESPONSIBILITY OF THE ARCHITECT OR ENGINEER OF RECORD.
3. 1X BUCK OVER MASONRY/CONCRETE IS OPTIONAL.
4. WHERE SHIM OR BUCK THICKNESS IS LESS THAN 1-1/2" UNITS MUST BE ANCHORED THROUGH THE FRAME IN ACCORDANCE WITH MANUFACTURER'S PUBLISHED INSTALLATION INSTRUCTIONS. ANCHORS SHALL BE SECURELY FASTENED DIRECTLY INTO MASONRY, CONCRETE OR OTHER STRUCTURAL SUBSTRATE MATERIAL.
5. WHERE WOOD BUCK THICKNESS IS 1-1/2" OR GREATER, BUCK SHALL BE SECURELY FASTENED TO MASONRY, CONCRETE OR OTHER STRUCTURAL SUBSTRATE. UNITS MAY BE ANCHORED THROUGH FRAME TO SECURED WOOD BUCK IN ACCORDANCE WITH MANUFACTURER'S PUBLISHED INSTALLATION INSTRUCTIONS.
6. WHERE 1X BUCK IS NOT USED DISSIMILAR MATERIALS MUST BE SEPARATED WITH APPROVED COATING OR MEMBRANE. SELECTION OF COATING OR MEMBRANE IS THE RESPONSIBILITY OF THE ARCHITECT OR ENGINEER OF RECORD.
7. BUCKS SHALL EXTEND BEYOND UNIT FRAME INTERIOR FACE SO THAT FULL FRAME SUPPORT IS PROVIDED.
8. FOR FIN INSTALLATION SHIM AS NEEDED. FOR FRAME INSTALLATION SHIM AS REQUIRED AT EACH ANCHOR LOCATION WITH LOAD BEARING SHIM. SHIM WHERE SPACE OF 1/16" OR GREATER OCCURS. MAXIMUM ALLOWABLE SHIM STACK TO BE 1/4".
9. SHIMS SHALL BE LOCATED, APPLIED AND MADE FROM MATERIALS AND THICKNESS CAPABLE OF SUSTAINING APPLICABLE LOADS.
10. WIND LOAD DURATION FACTOR Cd=1.6 WAS USED FOR WOOD ANCHOR CALCULATIONS.
11. FRAME MATERIAL: EXTRUDED RIGID PVC.
12. UNITS MUST BE GLAZED PER ASTM E1300.
13. APPROVED IMPACT PROTECTIVE SYSTEM IS REQUIRED FOR THIS PRODUCT IN WIND BORNE DEBRIS REGIONS.
14. FOR ANCHORING THROUGH FIN INTO WOOD FRAMING OR 2X BUCK USE #8 WOOD SCREWS WITH SUFFICIENT LENGTH TO ACHIEVE A 1 1/4" MINIMUM EMBEDMENT INTO SUBSTRATE. LOCATE ANCHORS AS SHOWN IN ELEVATIONS AND INSTALLATION DETAILS.

15. FOR ANCHORING THROUGH FRAME INTO WOOD FRAMING OR 2X BUCK USE #14 WOOD SCREWS WITH SUFFICIENT LENGTH TO ACHIEVE A 1 7/16" MINIMUM EMBEDMENT INTO SUBSTRATE. LOCATE ANCHORS AS SHOWN IN ELEVATIONS AND INSTALLATION DETAILS.
16. FOR ANCHORING THROUGH FRAME INTO MASONRY/CONCRETE USE 1/4" TAPCONS WITH SUFFICIENT LENGTH TO ACHIEVE A 1 1/4" MINIMUM EMBEDMENT INTO SUBSTRATE WITH 2" MINIMUM EDGE DISTANCE. LOCATE ANCHORS AS SHOWN IN ELEVATIONS AND INSTALLATION DETAILS.
17. FOR ANCHORING THROUGH FRAME INTO METAL STRUCTURE USE #14 SMS OR SELF DRILLING SCREWS WITH SUFFICIENT LENGTH TO ACHIEVE 3 THREADS MINIMUM BEYOND STRUCTURE INTERIOR WALL. LOCATE ANCHORS AS SHOWN IN ELEVATIONS AND INSTALLATION DETAILS.
18. ALL FASTENERS TO BE CORROSION RESISTANT.
19. INSTALLATION ANCHORS SHALL BE INSTALLED IN ACCORDANCE WITH ANCHOR MANUFACTURER'S INSTALLATION INSTRUCTIONS AND ANCHORS SHALL NOT BE USED IN SUBSTRATES WITH STRENGTHS LESS THAN THE MINIMUM STRENGTH SPECIFIED BELOW:
 - A. WOOD: MINIMUM SPECIFIC GRAVITY OF G=0.42
 - B. CONCRETE: MINIMUM COMPRESSIVE STRENGTH OF 2,000 PSI.
 - C. MASONRY: HOLLOW/FILLED BLOCK PER ASTM C90 WITH Fm=2,000PSI MINIMUM.
 - D. METAL STRUCTURE: STEEL 18GA (.048") FY=33KSI/FU=52KSI OR ALUMINUM 6063-T5 FU=30KSI .125" THICK MINIMUM
20. GEOMETRIC SHAPES ARE ALSO APPROVED. APPROVED GEOMETRIC SHAPES DIMENSIONS SHALL NOT EXCEED INSCRIBED DIMENSIONS OF APPROVED RECTANGULAR ASSEMBLY SHOWN IN SHEET 2.

SIGNED: 01/12/2021

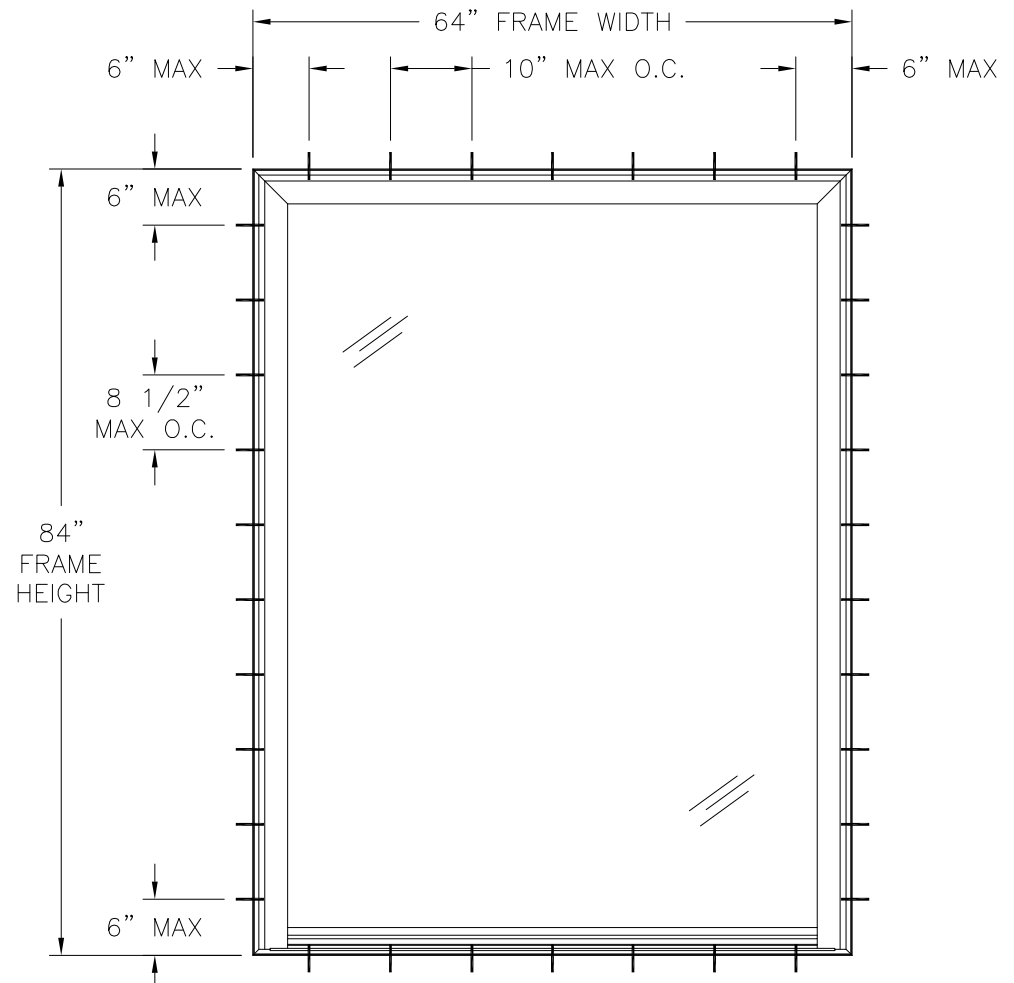
TABLE OF CONTENTS	
SHEET NO.	DESCRIPTION
1	NOTES
2 - 3	ELEVATIONS
4 - 6	INSTALLATION DETAILS
7	COMPONENTS

PRO WINDOW & DOOR, INC. 6500 FORBING RD. #100 LITTLE ROCK, AR 72209		
BELMONT & HAWTHORNE PICTURE WINDOW NON-IMPACT NOTES		
DRAWN: A.R.	DWG NO. 08-03539	REV -
SCALE NTS	DATE 03/12/2020	SHEET 1 OF 7
L. ROBERTO LOMAS P.E. 1432 WOODFORD RD LEWISVILLE, NC 27023 434-688-0609 rllomas@lrlomaspe.com		



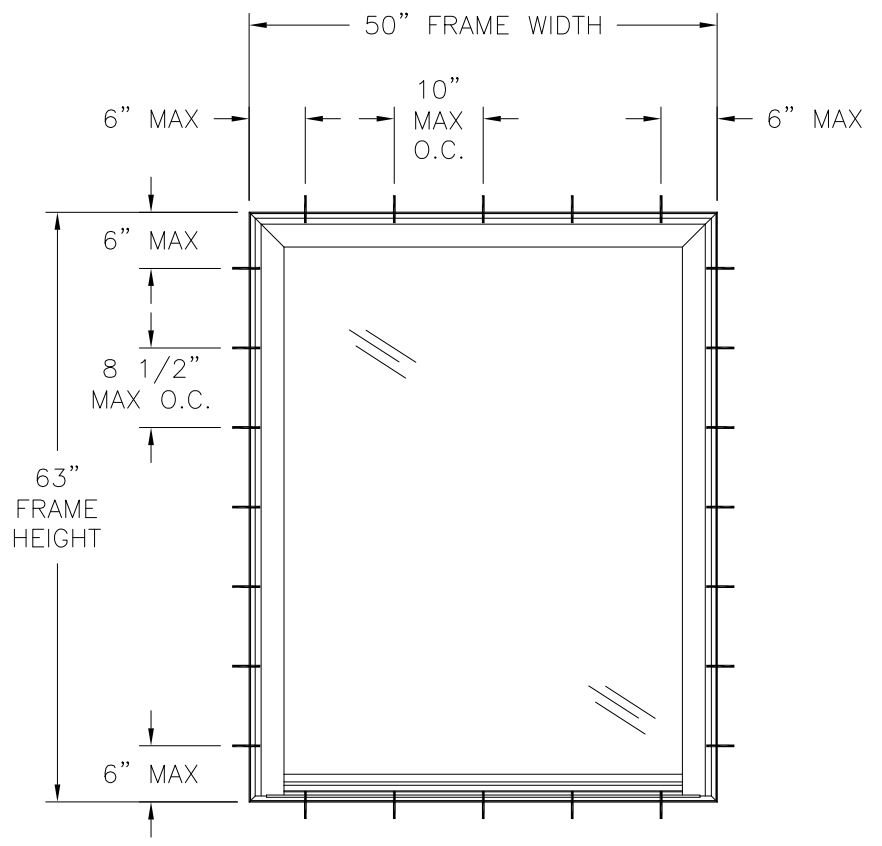
Luis R. Lomas P.E.
TX No: 101889

REVISIONS			
REV	DESCRIPTION	DATE	APPROVED



BELMONT & HAWTHORNE PW
EXTERIOR VIEW
FRAME INSTALLATION

DESIGN PRESSURE RATING	IMPACT RATING
±80.0PSF	NONE



BELMONT & HAWTHORNE PW
EXTERIOR VIEW
FRAME INSTALLATION

DESIGN PRESSURE RATING	IMPACT RATING
±75.0PSF	NONE

- NOTES:
 1. D.L.O. FOR 64" X 84" UNIT: 59" X 70"
 2. D.L.O. FOR 50" X 63" UNIT: 45" X 58"

SIGNED: 01/12/2021

PRO WINDOW & DOOR, INC.
 6500 FORBING RD. #100
 LITTLE ROCK, AR 72209

BELMONT & HAWTHORNE PICTURE WINDOW
 NON-IMPACT
 ELEVATIONS

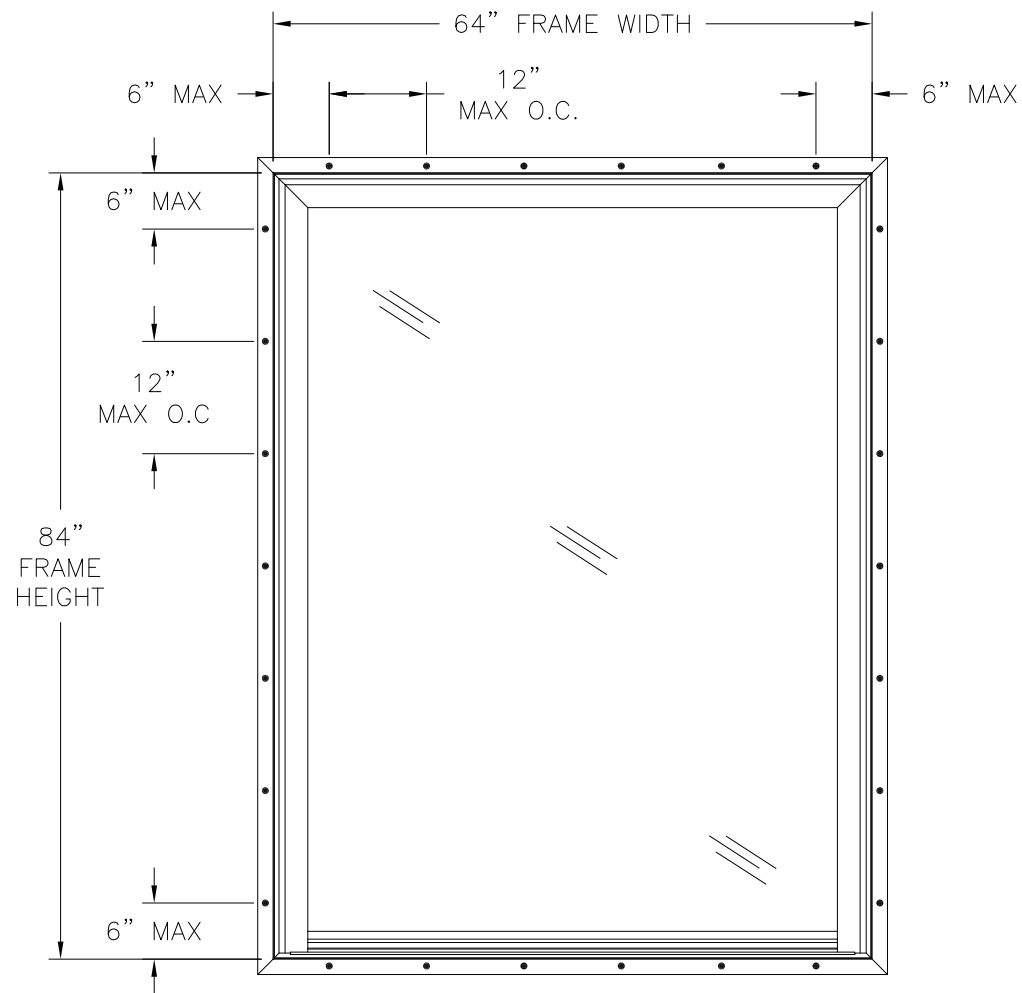
DRAWN: A.R.	DWG NO. 08-03539	REV -
SCALE NTS	DATE 03/12/2020	SHEET 2 OF 7

L. ROBERTO LOMAS P.E.
 1432 WOODFORD RD LEWISVILLE, NC 27023
 434-688-0609 rllomas@rlomaspe.com



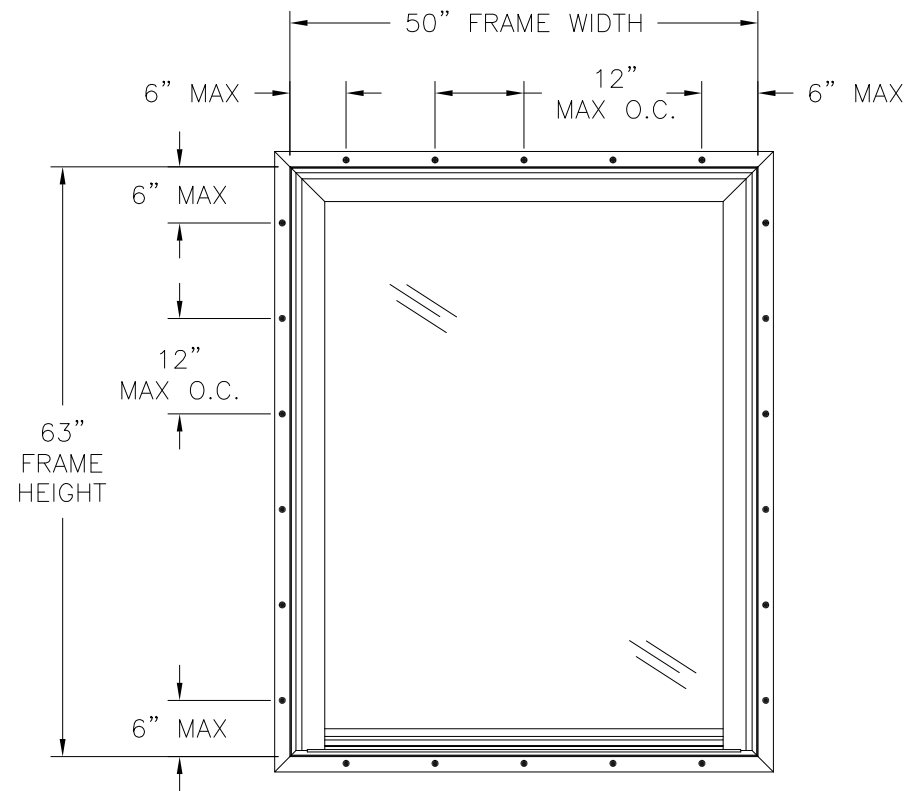
Luis R. Lomas P.E.
 TX No: 101889

REVISIONS			
REV	DESCRIPTION	DATE	APPROVED



BELMONT & HAWTHORNE PW
EXTERIOR VIEW
FIN INSTALLATION

DESIGN PRESSURE RATING	IMPACT RATING
±80.0PSF	NONE



BELMONT & HAWTHORNE PW
EXTERIOR VIEW
FIN INSTALLATION

DESIGN PRESSURE RATING	IMPACT RATING
±75.0PSF	NONE

- NOTES:
 1. D.L.O. FOR 64" X 84" UNIT: 59" X 70"
 2. D.L.O. FOR 50" X 63" UNIT: 45" X 58"

SIGNED: 01/12/2021

PRO WINDOW & DOOR, INC.
 6500 FORBING RD. #100
 LITTLE ROCK, AR 72209

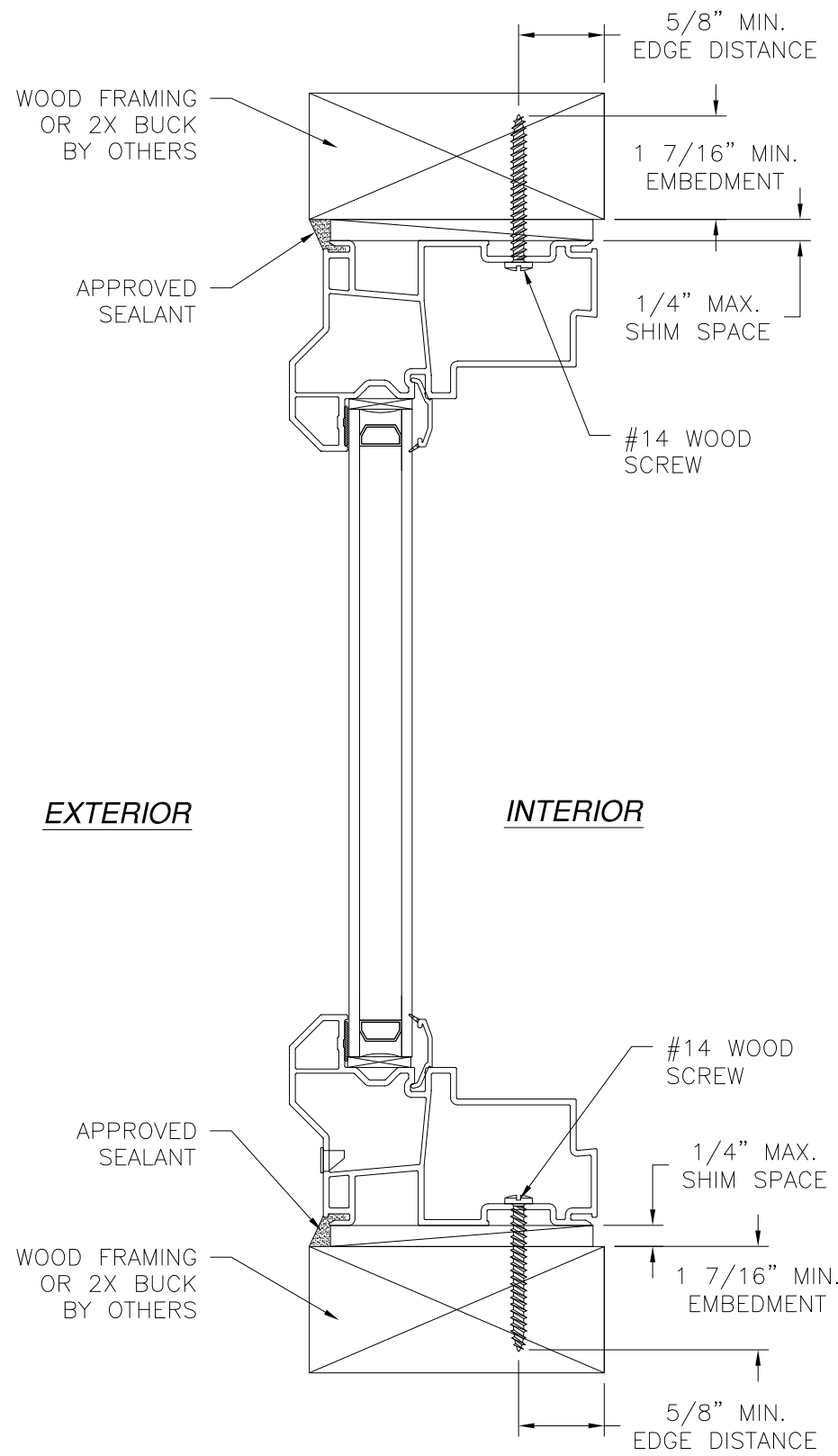
BELMONT & HAWTHORNE PICTURE WINDOW
 NON-IMPACT
 ELEVATIONS

DRAWN: A.R.	DWG NO. 08-03539	REV -
SCALE NTS	DATE 03/12/2020	SHEET 3 OF 7

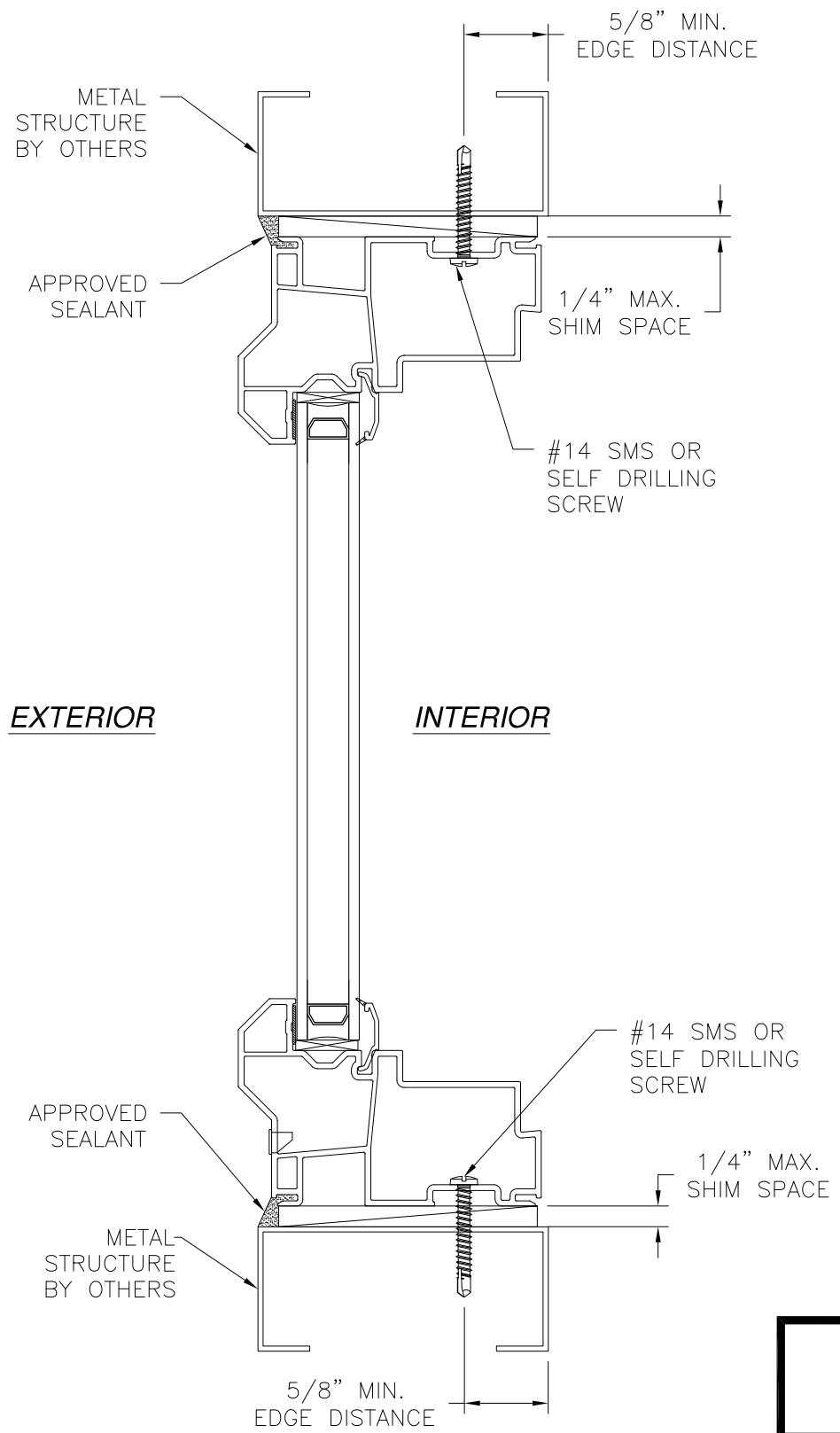
L. ROBERTO LOMAS P.E.
 1432 WOODFORD RD LEWISVILLE, NC 27023
 434-688-0609 rllomas@rlomaspe.com



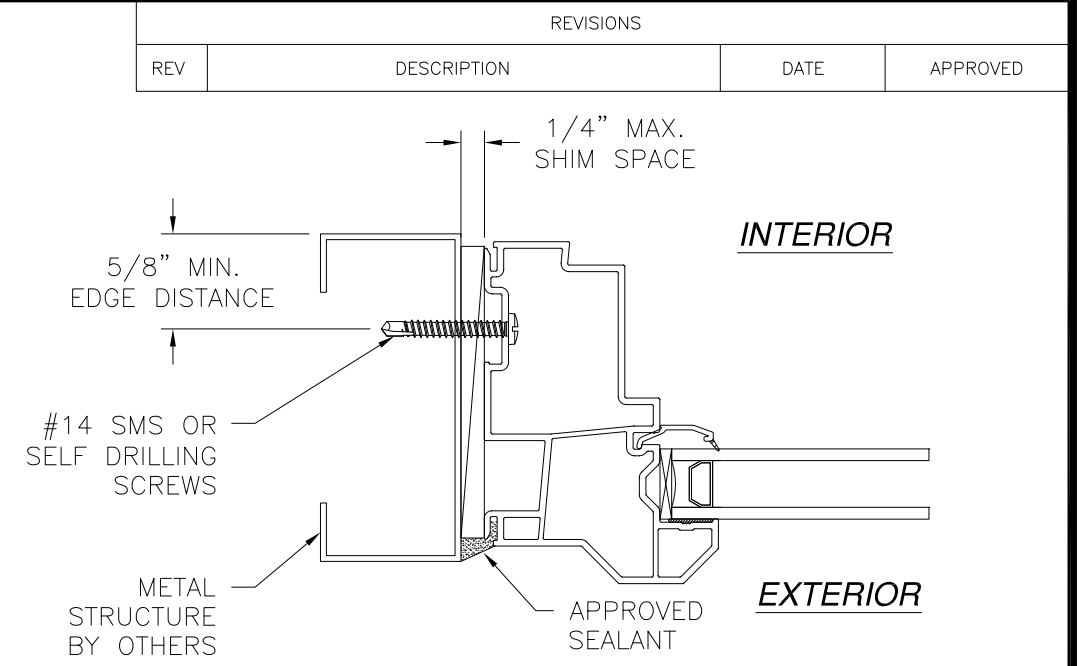
Luis R. Lomas P.E.
 TX No: 101889



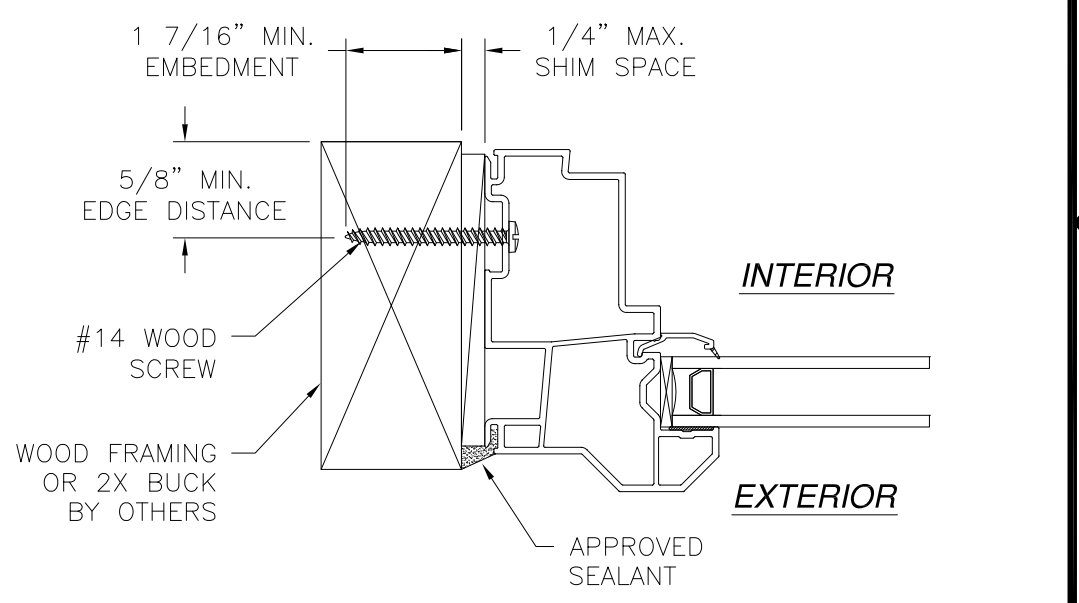
VERTICAL CROSS SECTION
WOOD FRAMING OR 2X BUCK INSTALLATION



VERTICAL CROSS SECTION
METAL STRUCTURE INSTALLATION



JAMB INSTALLATION DETAIL
METAL STRUCTURE INSTALLATION



JAMB INSTALLATION DETAIL
WOOD FRAMING OR 2X BUCK INSTALLATION

SIGNED: 01/12/2021

- NOTES:**
1. INTERIOR AND EXTERIOR FINISHES, BY OTHERS, NOT SHOWN FOR CLARITY.
 2. PERIMETER AND JOINT SEALANT BY OTHERS TO BE DESIGNED IN ACCORDANCE WITH ASTM E2112

PRO WINDOW & DOOR, INC.
6500 FORBING RD. #100
LITTLE ROCK, AR 72209

BELMONT & HAWTHORNE PICTURE WINDOW
NON-IMPACT
INSTALLATION DETAILS

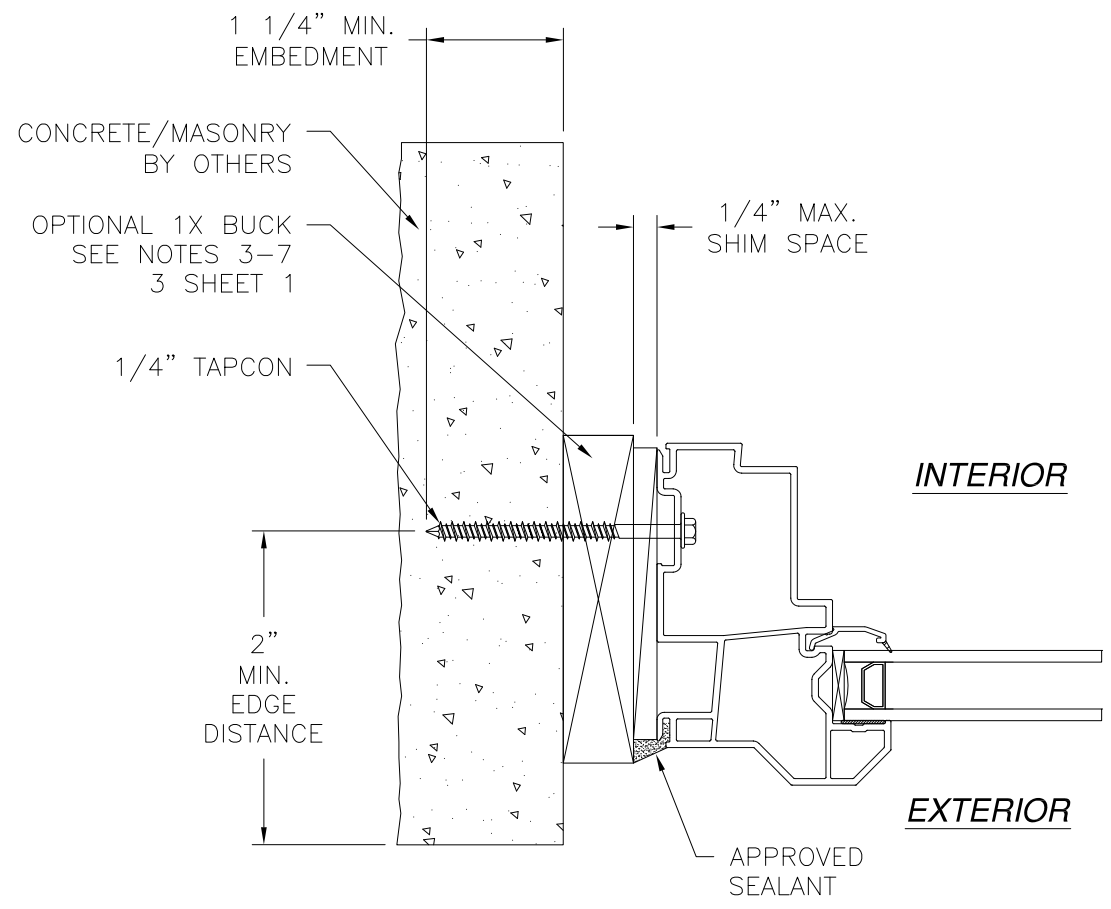
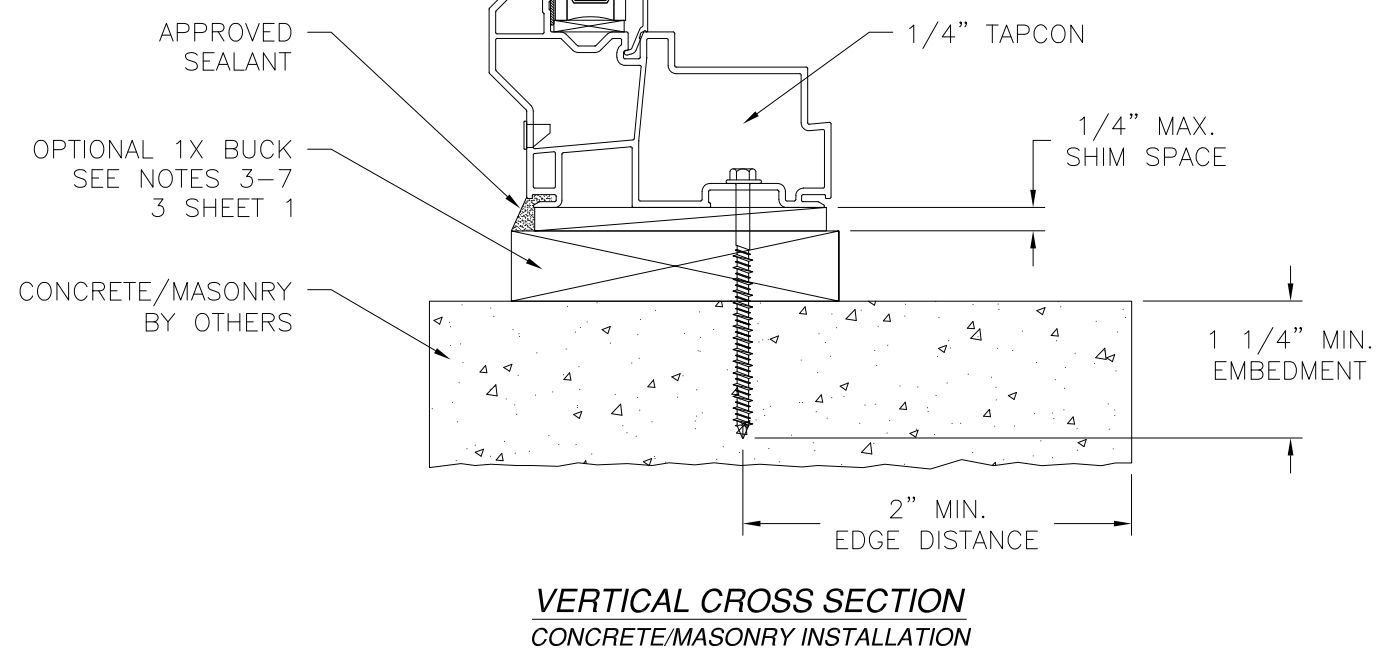
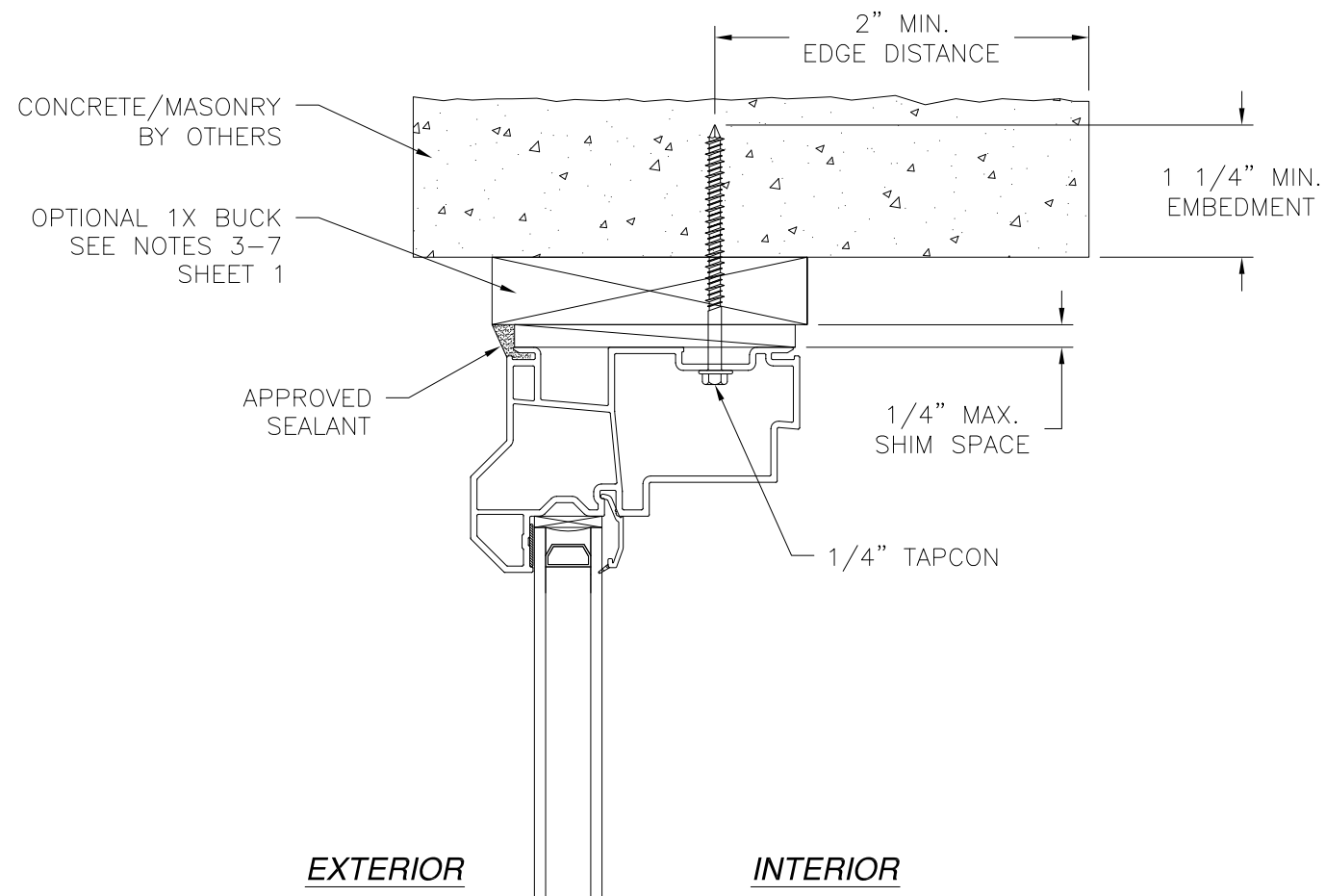
DRAWN: A.R.	DWG NO. 08-03539	REV -
SCALE NTS	DATE 03/12/2020	SHEET 4 OF 7

L. ROBERTO LOMAS P.E.
1432 WOODFORD RD LEWISVILLE, NC 27023
434-688-0609 rllomas@rlomaspe.com



Luis R. Lomas P.E.
TX No: 101889

REVISIONS			
REV	DESCRIPTION	DATE	APPROVED



JAMB INSTALLATION DETAIL
CONCRETE/MASONRY INSTALLATION

- NOTES:**
1. INTERIOR AND EXTERIOR FINISHES, BY OTHERS, NOT SHOWN FOR CLARITY.
 2. PERIMETER AND JOINT SEALANT BY OTHERS TO BE DESIGNED IN ACCORDANCE WITH ASTM E2112

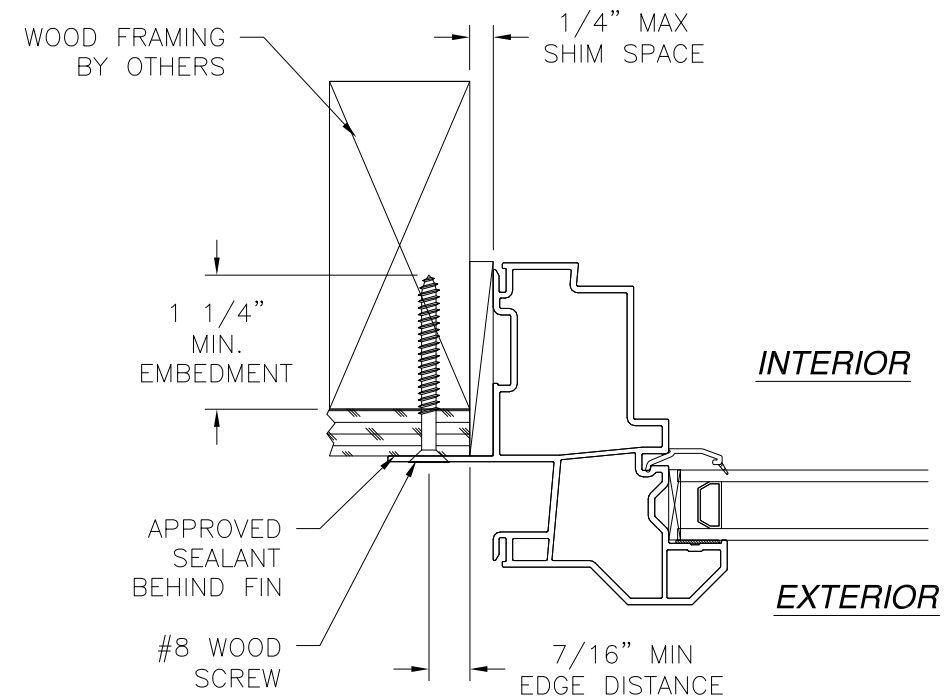
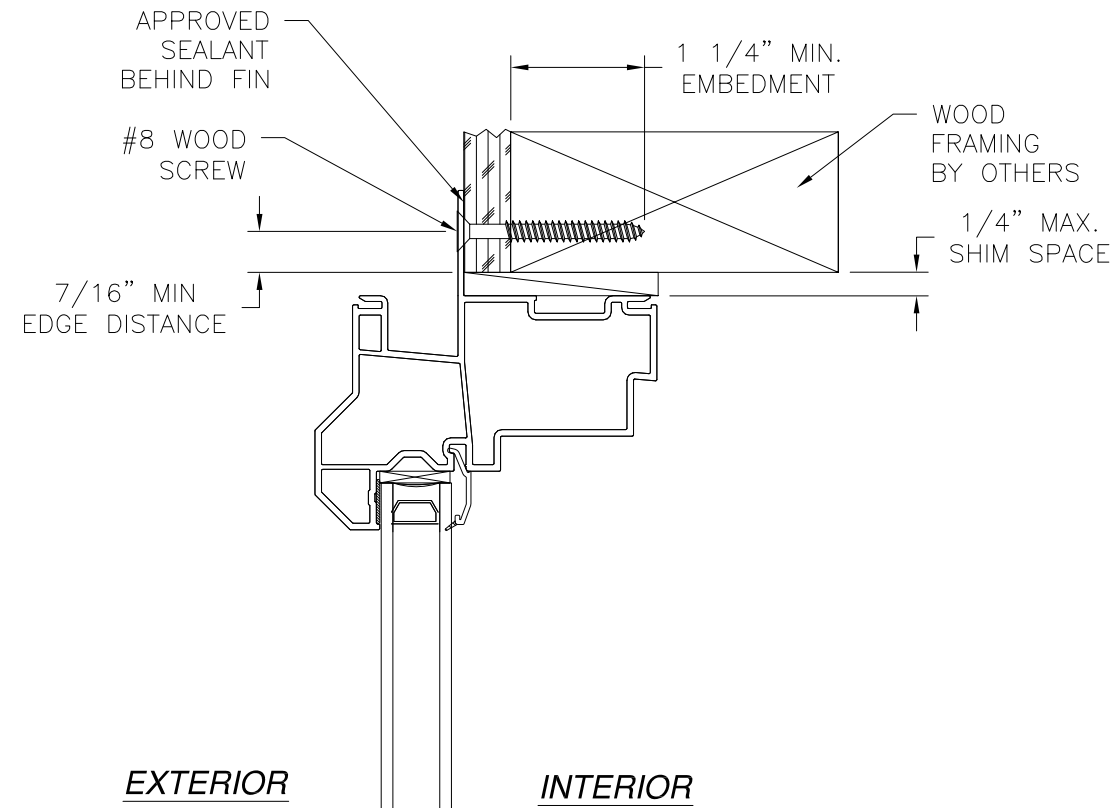
SIGNED: 01/12/2021

PRO WINDOW & DOOR, INC. 6500 FORBING RD. #100 LITTLE ROCK, AR 72209		
BELMONT & HAWTHORNE PICTURE WINDOW NON-IMPACT INSTALLATION DETAILS		
DRAWN: A.R.	DWG NO. 08-03539	REV -
SCALE NTS	DATE 03/12/2020	SHEET 5 OF 7
L. ROBERTO LOMAS P.E. 1432 WOODFORD RD LEWISVILLE, NC 27023 434-688-0609 rllomas@rlomaspe.com		

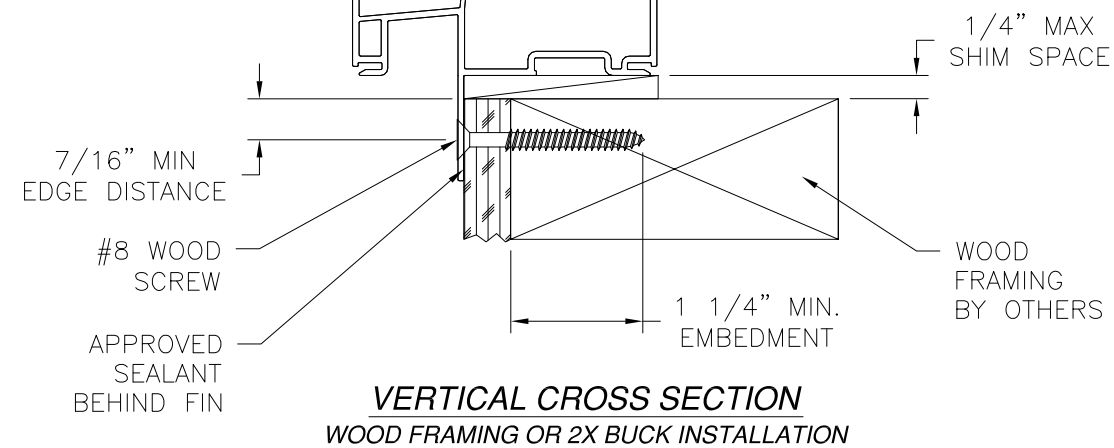


Luis R. Lomas P.E.
TX No: 101889

REVISIONS			
REV	DESCRIPTION	DATE	APPROVED



JAMB INSTALLATION DETAIL
WOOD FRAMING OR 2X BUCK INSTALLATION



VERTICAL CROSS SECTION
WOOD FRAMING OR 2X BUCK INSTALLATION

NOTES:

1. INTERIOR AND EXTERIOR FINISHES, BY OTHERS, NOT SHOWN FOR CLARITY.
2. PERIMETER AND JOINT SEALANT BY OTHERS TO BE DESIGNED IN ACCORDANCE WITH ASTM E2112

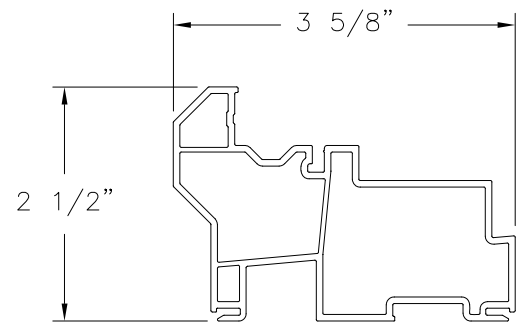
SIGNED: 01/12/2021

PRO WINDOW & DOOR, INC. 6500 FORBING RD. #100 LITTLE ROCK, AR 72209		
BELMONT & HAWTHORNE PICTURE WINDOW NON-IMPACT FIN INSTALLATION DETAILS		
DRAWN: A.R.	DWG NO. 08-03539	REV -
SCALE NTS	DATE 03/12/2020	SHEET 6 OF 7
L. ROBERTO LOMAS P.E. 1432 WOODFORD RD LEWISVILLE, NC 27023 434-688-0609 rllomas@rlomaspe.com		

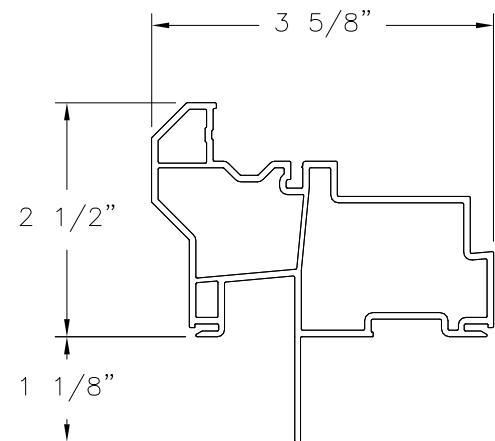


Luis R. Lomas P.E.
TX No: 101889

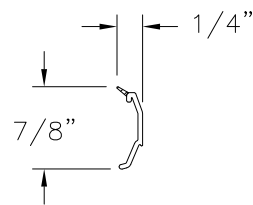
REVISIONS			
REV	DESCRIPTION	DATE	APPROVED



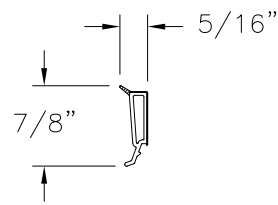
MAIN FRAME
EXTRUDED PVC (10008696)



MAIN FRAME FIN
EXTRUDED PVC (10008676)



GLAZING BEAD
EXTRUDED PVC (10005473)



OPTIONAL GLAZING BEAD
EXTRUDED PVC (10005470)

SIGNED: 01/12/2021

PRO WINDOW & DOOR, INC.
6500 FORBING RD. #100
LITTLE ROCK, AR 72209

BELMONT & HAWTHORNE PICTURE WINDOW
NON-IMPACT
COMPONENTS

DRAWN: A.R.	DWG NO. 08-03539	REV -
SCALE NTS	DATE 03/12/2020	SHEET 7 OF 7

L. ROBERTO LOMAS P.E.
1432 WOODFORD RD LEWISVILLE, NC 27023
434-688-0609 rllomas@rlomaspe.com



Luis R. Lomas P.E.
TX No: 101889