



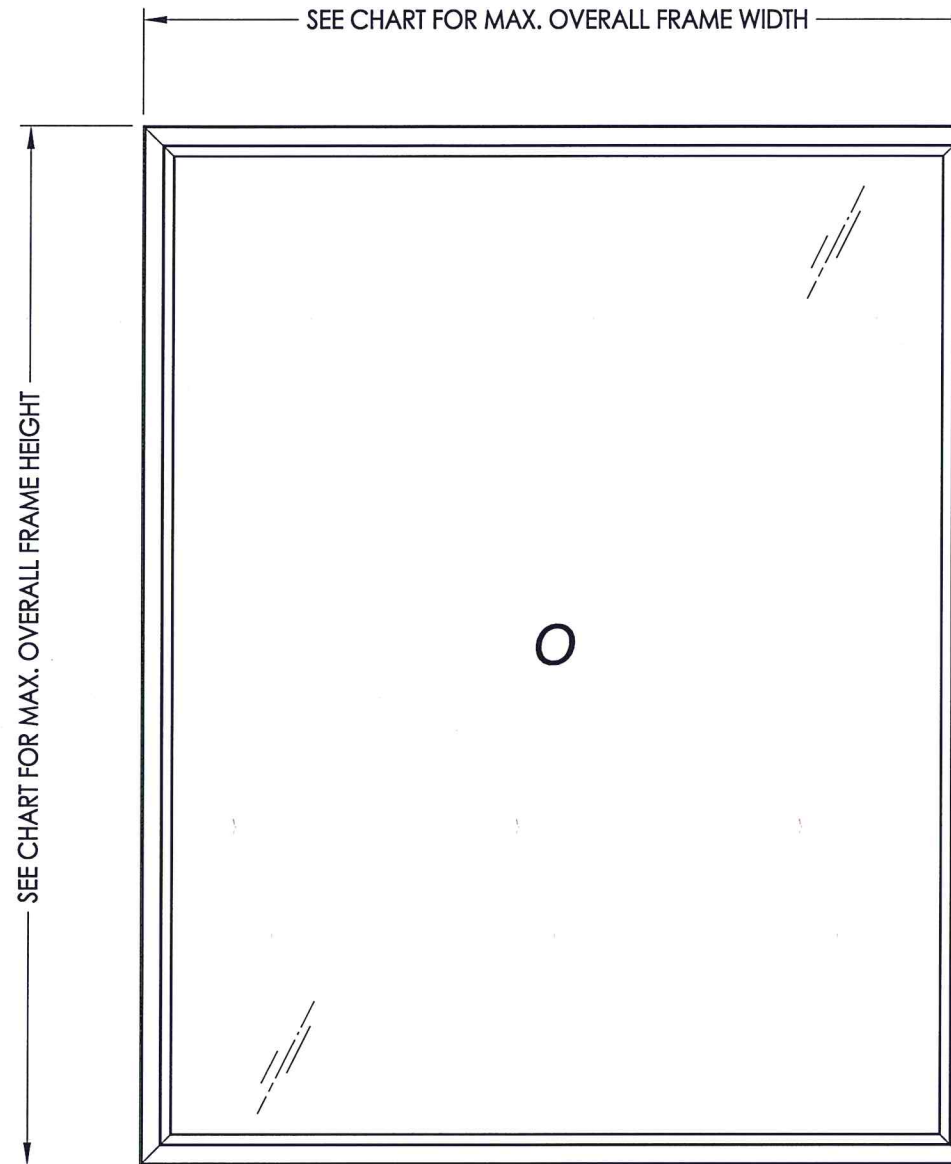
"Sunrise" Series Fixed Casement Window "NON-IMPACT"

EVALUATED FOR USE IN THE STATE OF TEXAS

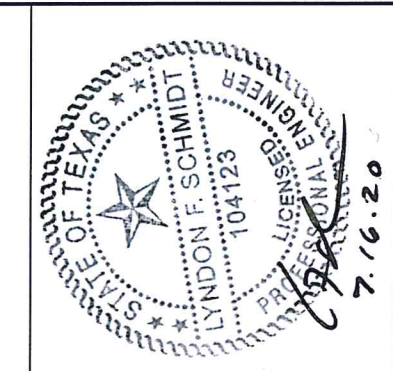
The Fixed Window described herein complies with the 2018 International Residential Code (IRC), Sections R301 & R609 and the 2018 International Building Code (IBC), Sections 1404.13, 1609, 1709.5, 2403 and 2404 subject to the following conditions:

1. Anchors shall be as listed and spaced as shown in the details. Anchor embedment to base material shall be beyond roof covering.
2. When used in areas requiring wind-borne debris protection this product is required to be protected with an impact resistant covering that complies with Section R301.2.1.2 of the IRC and Section 1609.2 of the IBC.
3. Allowable design pressure requirements must be equal to or less than the design pressure rating shown in the design pressure chart, sheet 1 of this drawing.
4. Conditions not covered by this drawing are subject to further engineering analysis.

TABLE OF CONTENTS	
SHEET #	DESCRIPTION
1	Typical Elevations, Design Pressures & General Notes
2	Frame Anchoring & Cross Section
3	Bill of Materials, Components & Glazing Details



MAX. OVERALL FRAME DIMENSION	MAX DAY LITE DIMENSION	GLASS TYPE	DESIGN PRESSURE (PSF)	
			POS.	NEG.
59" X 63"	53.5" x 57.5"	G1	+50.0	-60.0
72" X 90"	66.5" x 84.5"	G2	+65.0	-75.0
107" X 65"	101.5" x 59.5"	G3	+70.0	-75.0



Documents Prepared By: Lyndon F. Schmidt, P.E.
TEXAS P.E. #104123

RW BUILDING CONSULTANTS, INC.
P.O. Box 230 Vairico FL. 33595
Phone No.: 813.659.9197

TEXAS BOARD OF PROFESSIONAL ENGINEERS
CERTIFICATE OF REGISTRATION # F-11852

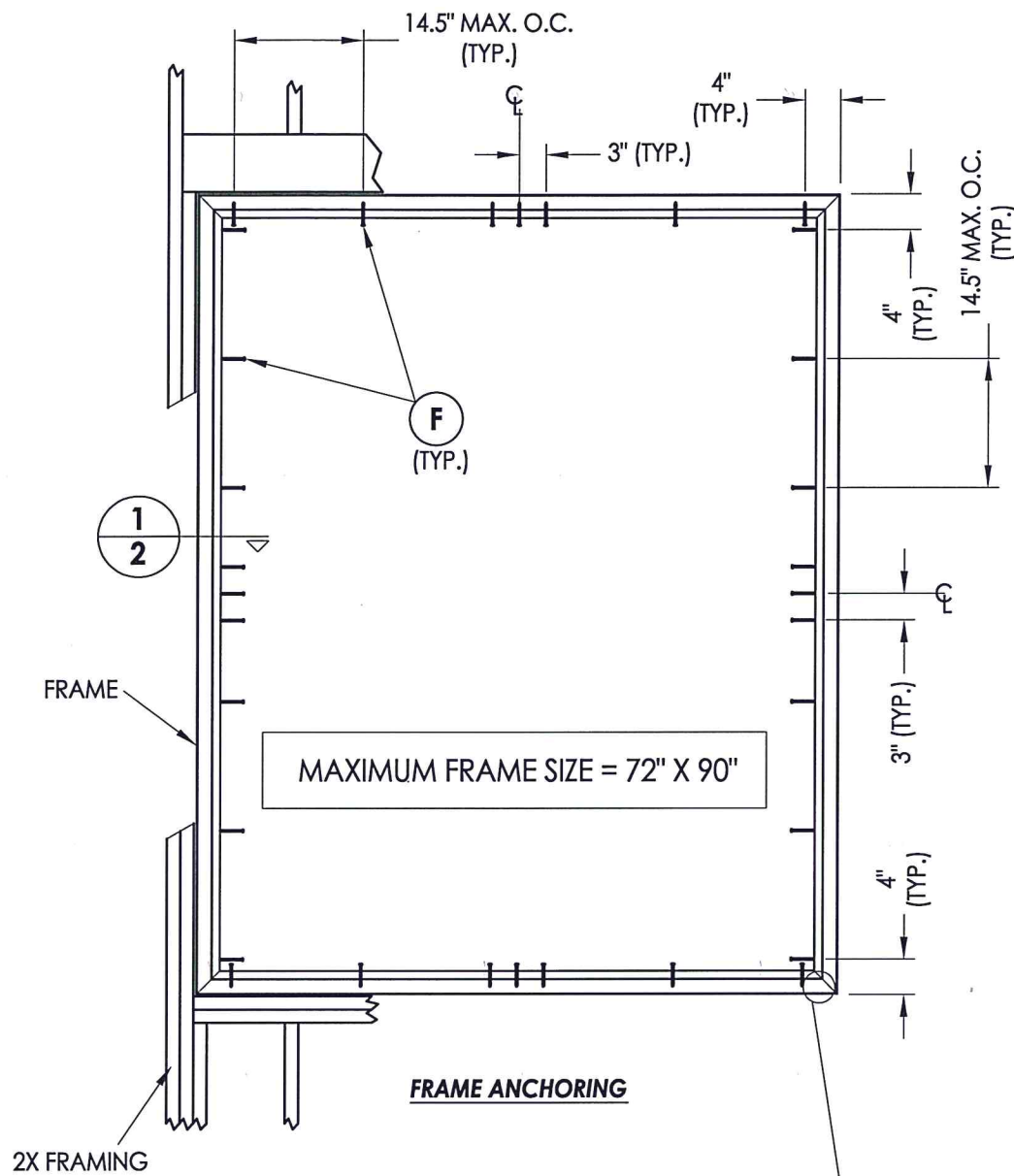
PRODUCT: FIXED CASEMENT WINDOW

PART OR ASSEMBLY: TYPICAL ELEVATION, DESIGN PRESSURES & GENERAL NOTES

NO.	DATE	BY	REVISIONS

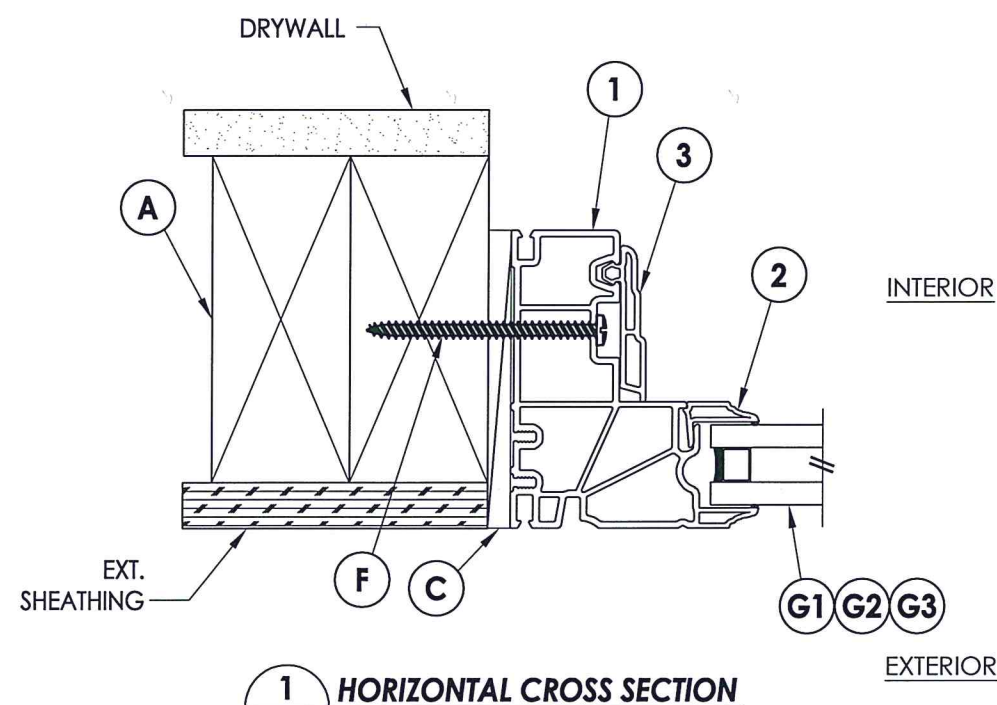
DATE: 5/05/20
SCALE: N.T.S.
DWG. BY: TRJ
CHK. BY: LFS
DRAWING NO.: TX-5043
SHEET 1 OF 3

R:\Clients\Sunrise Windows\B - Texas Dept of Ins\TDI - XXX Fixed Casement Sunrise Series\C - Drawings\TX-5043.dwg, 2

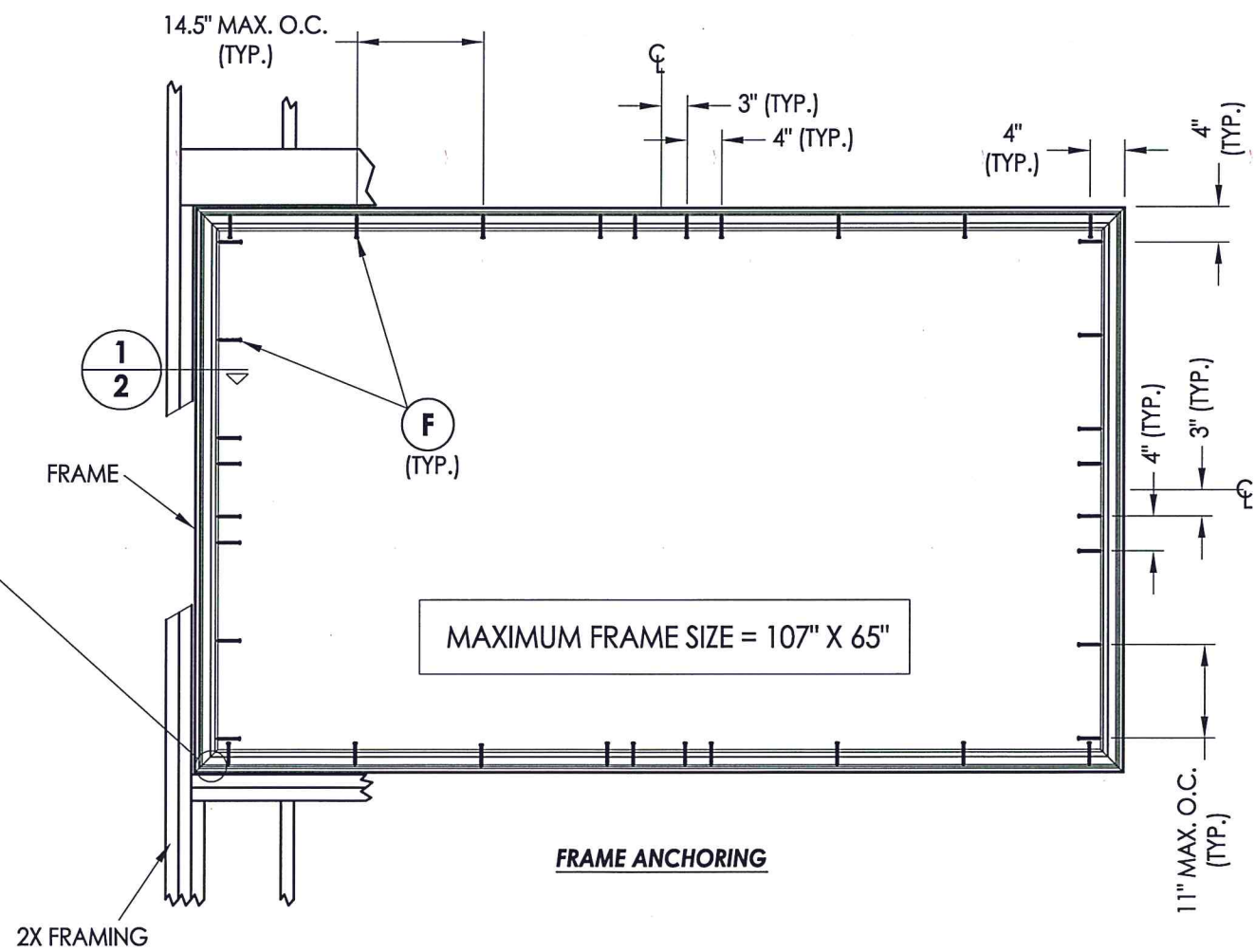


MAXIMUM FRAME SIZE = 72" X 90"

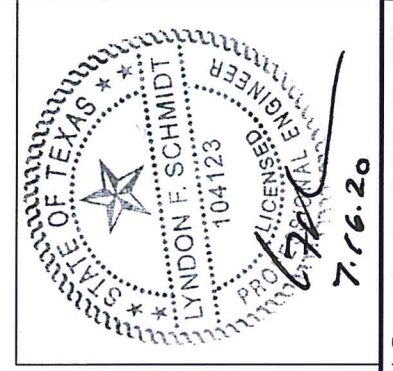
NOTE: MAX. POSITIVE DESIGN PRESSURE WITH WEEP HOLES AT EACH END = 40 PSF



1
2 **HORIZONTAL CROSS SECTION**



MAXIMUM FRAME SIZE = 107" X 65"



Documents Prepared By: Lyndon F. Schmidt, P.E.
TEXAS P.E. #104123

RW BUILDING CONSULTANTS, INC.
P.O. Box 230 Valrico FL 33595
Phone No.: 813.659.9197

TEXAS BOARD OF PROFESSIONAL ENGINEERS
CERTIFICATE OF REGISTRATION # F-11852

PRODUCT: FIXED CASEMENT WINDOW

PART OR ASSEMBLY: FRAME ANCHORING & CROSS SECTION

NO.	DATE	BY

DATE: 5/05/20

SCALE: N.T.S.

DWG. BY: TRJ

CHK. BY: LFS

DRAWING NO.: TX-5043

SHEET 2 OF 3

