

vanguard®

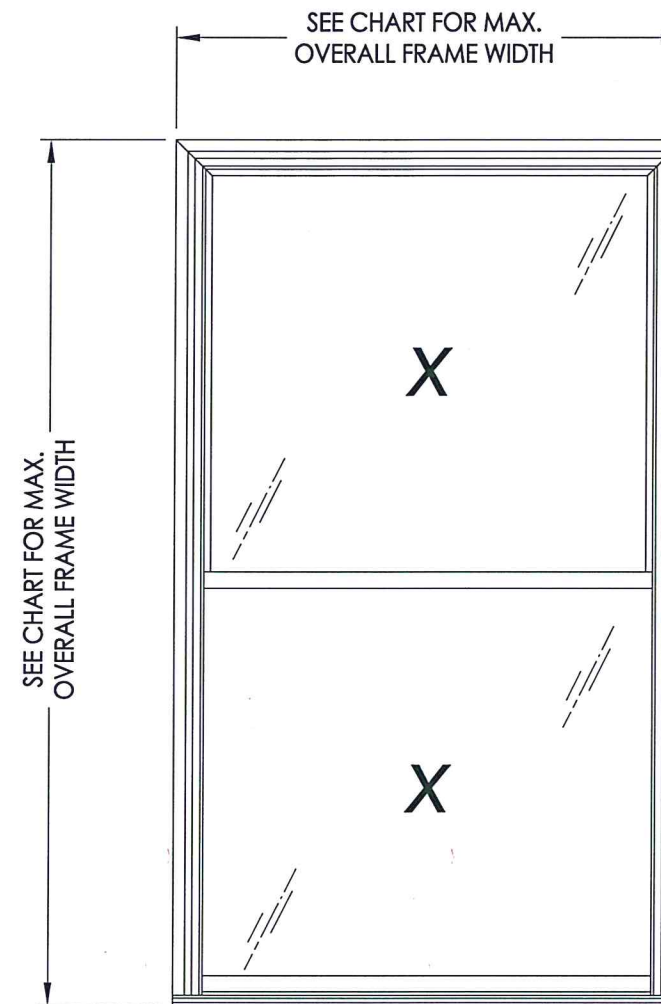
"Vanguard" Series Double Hung Window "NON-IMPACT"

EVALUATED FOR USE IN THE STATE OF TEXAS

The Double Hung Window described herein complies with the 2018 International Residential Code (IRC), Sections R301 & R609 and the 2018 International Building Code (IBC), Sections 1404.13, 1609, 1709.5, 2403 and 2404 subject to the following conditions:

1. Anchors shall be as listed and spaced as shown in the details. Anchor embedment to base material shall be beyond roof covering.
2. When used in areas requiring wind-borne debris protection this product is required to be protected with an impact resistant covering that complies with Section R301.2.1.2 of the IRC and Section 1609.2 of the IBC.
3. Allowable design pressure requirements must be equal to or less than the design pressure rating shown in the design pressure chart, sheet 1 of this drawing.
4. Conditions not covered by this drawing are subject to further engineering analysis.

TABLE OF CONTENTS	
SHEET #	DESCRIPTION
1	Typical Elevations, Design Pressures & General Notes
2	Frame Anchoring & Cross Section
3	Bill of Materials, Components & Glazing Details



MAX. OVERALL FRAME DIMENSION	MAX DAY LITE DIMENSION	GLASS TYPE	DESIGN PRESSURE (PSF)	
			POS.	NEG.
48.0" X 78.0"	42.2" X 36.2"	G1	+25.0	-35.0
44.0" X 75.0"	38.2" X 34.7"	G1	+35.0	-45.0
40.0" X 71.0"	34.2" X 32.7"	G1	+45.0	-50.0
40.0" X 63.0"	34.2" X 28.7"	G1	+40.0	-45.0

SEE SHEET 2 FOR REINFORCEMENT REQUIREMENTS



Documents Prepared By: Lyndon F. Schmidt, P.E.
TEXAS P.E. #104123

RW BUILDING CONSULTANTS, INC.
P.O. Box 230 Valrico FL, 33595
Phone No.: 813.659.9197

TEXAS BOARD OF PROFESSIONAL ENGINEERS
CERTIFICATE OF REGISTRATION # F-11852

PRODUCT: DOUBLE HUNG WINDOW
PART OR ASSEMBLY: TYPICAL ELEVATION, DESIGN PRESSURES & GENERAL NOTES

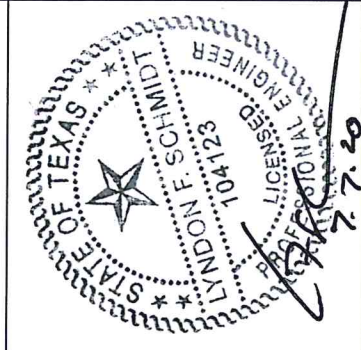
NO.	DATE	BY	REVISIONS

DATE: 5/05/20
SCALE: N.T.S.
DWG. BY: TRJ
CHK. BY: LFS
DRAWING NO.: TX-5049
SHEET 1 OF 3

BILL OF MATERIALS

ITEM #	DESCRIPTION	MATERIAL
A	2X FRAMING (SG >= 0.42)	WOOD
C	1/4" MAX. SHIM SPACE	-
F	#8 X 2" MODIFIED TRUSS HEAD (7/16"Ø HEAD) SMS (1-1/2" MIN. EMBEDMENT)	STEEL
1	HEAD (2750)*	RIGID PVC
2	GLAZING BEADS *	RIGID PVC
3	JAMB (2749)*	RIGID PVC
4	SILL (2751)*	RIGID PVC
5	STILE/RAIL (2757)*	RIGID PVC
6	KEEPER RAIL (2759)*	RIGID PVC
7	LOCK RAIL (3198)*	RIGID PVC
10	WEATHERSTRIP	-
11	SASH LOCK (ASHLAND #2004655)	-
12	KEEPER (ASHLAND #2004662)	-
14	REINFORCEMENT (3301)	FIBERGLASS
19	SILL RISER*	RIGID PVC
24	BULB GASKET	FOAM

* THE APPROVED WHITE RIGID PVC EXTERIOR EXTRUSIONS FOR WINDOWS ARE TO BE PRODUCED BY EXTRUDERS LICENSEES IN "CERTIFICATION PROGRAMS FOR RIGID PVC EXTRUSIONS".



Documents Prepared By: Lyndon F. Schmidt, P.E.
TEXAS P.E. #104123

R.W. BUILDING CONSULTANTS, INC.
P.O. Box 230 Valrico FL 33595
Phone No.: 813.659.9197

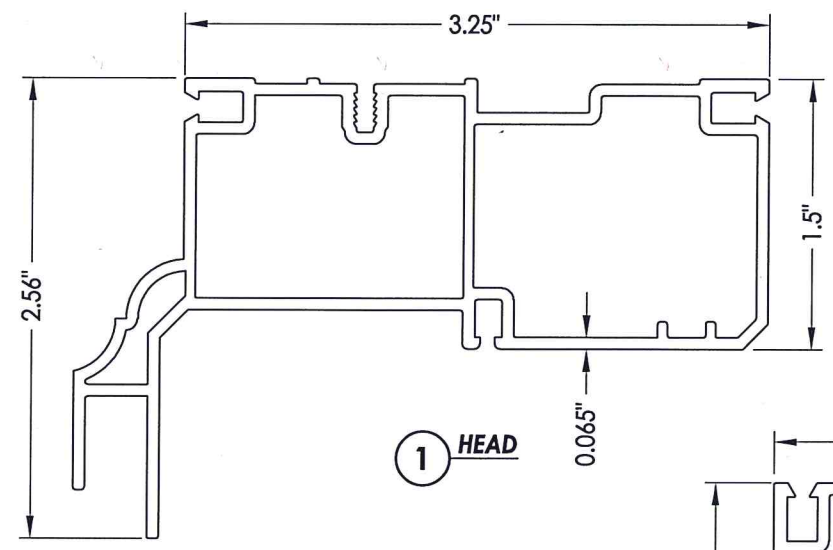
TEXAS BOARD OF PROFESSIONAL ENGINEERS
CERTIFICATE OF REGISTRATION # F-11852

PRODUCT: DOUBLE HUNG WINDOW

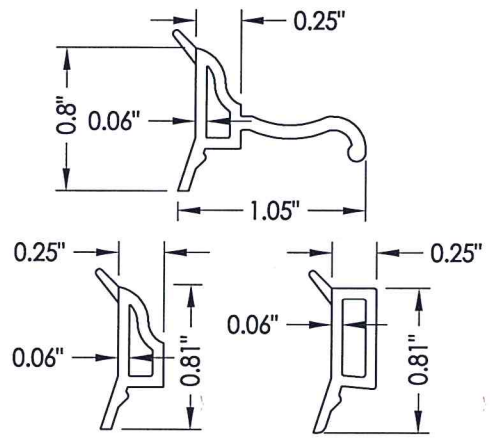
PART OR ASSEMBLY: BILL OF MATERIALS, COMPONENTS & GLAZING DETAILS

NO.	DATE	BY	REVISIONS

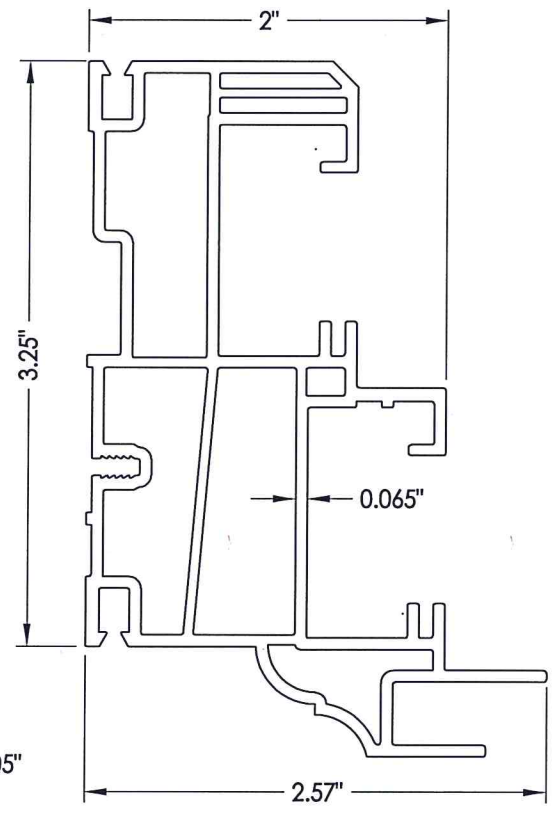
DATE: 5/05/20
SCALE: N.T.S.
DWG. BY: TRJ
CHK. BY: LFS
DRAWING NO.: TX-5049
SHEET 3 OF 3



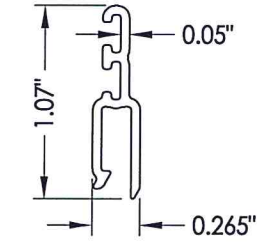
1 HEAD



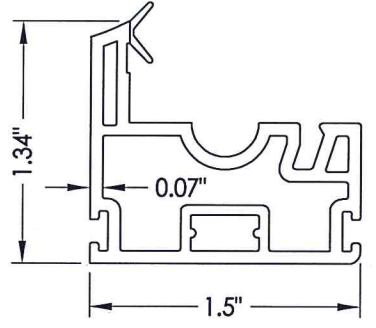
2 GLAZING BEADS



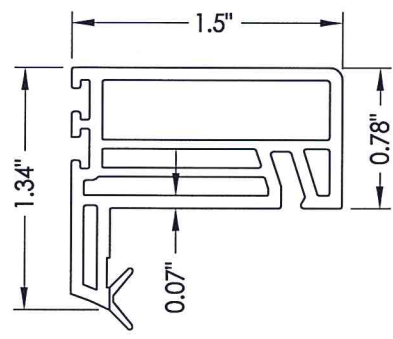
3 JAMB



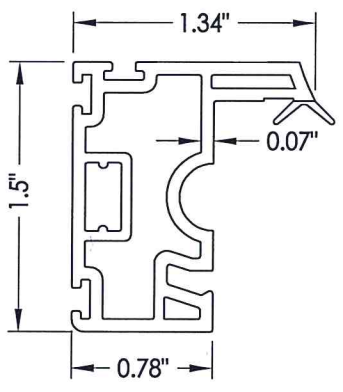
19 SILL RISER



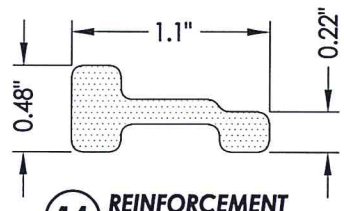
6 KEEPER RAIL



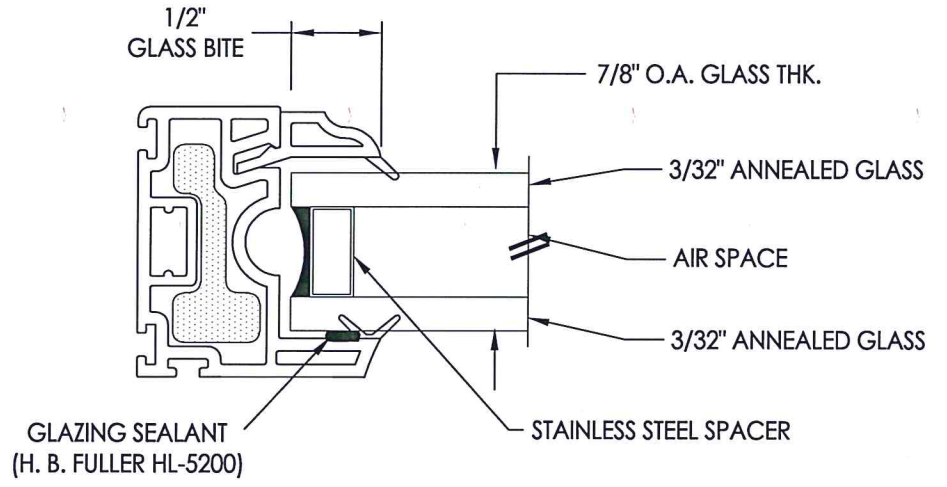
7 LOCK RAIL



5 STILE/RAIL



14 REINFORCEMENT



G1 GLAZING DETAIL