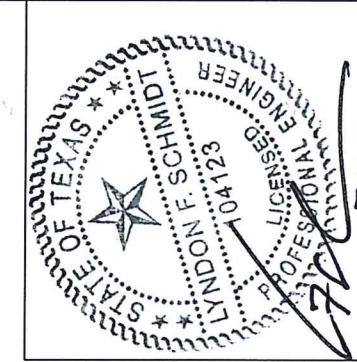
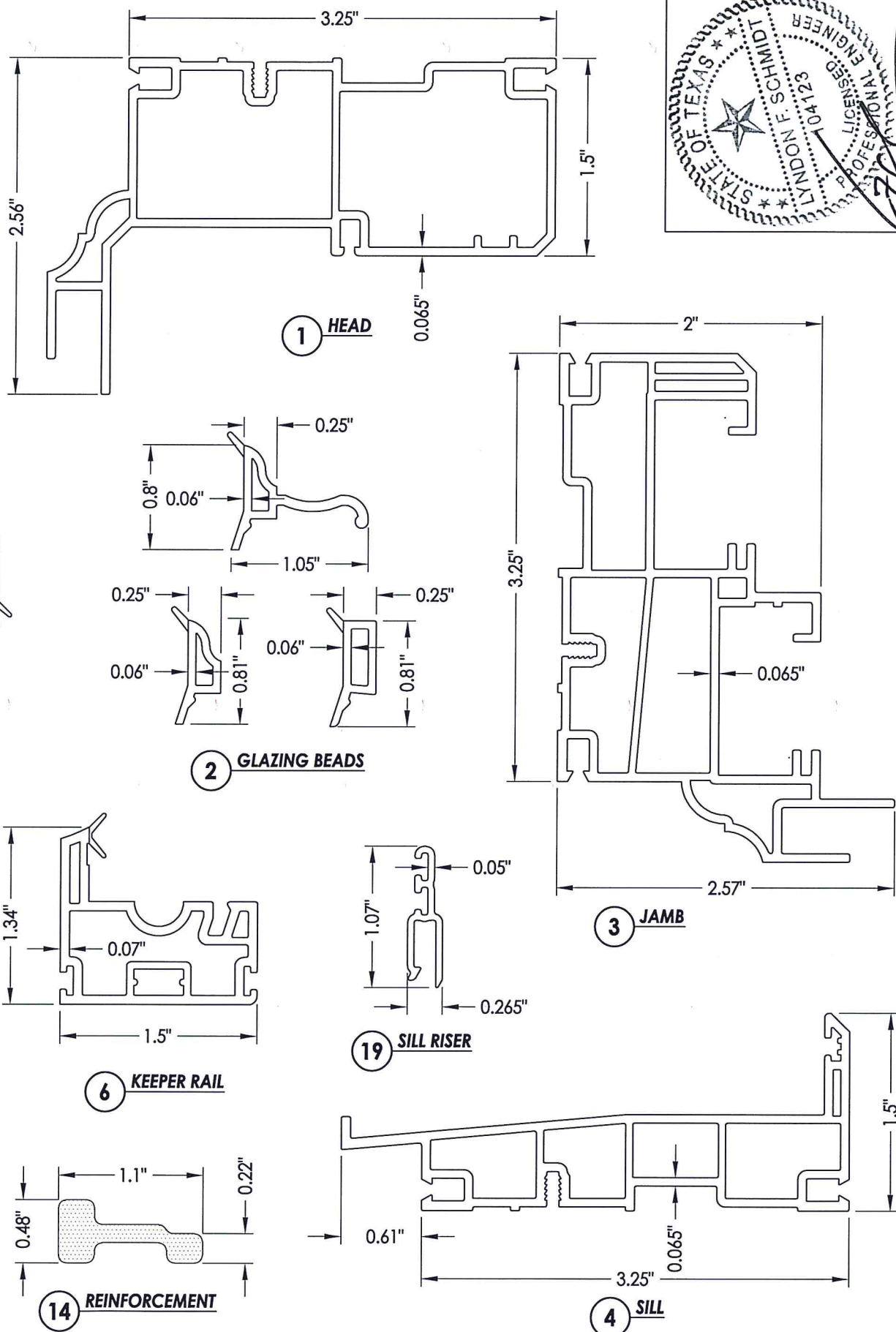
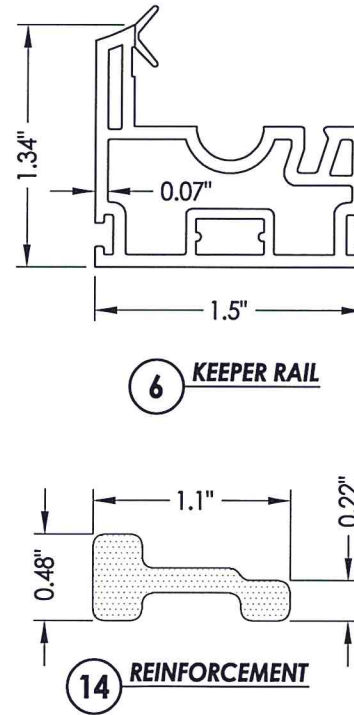
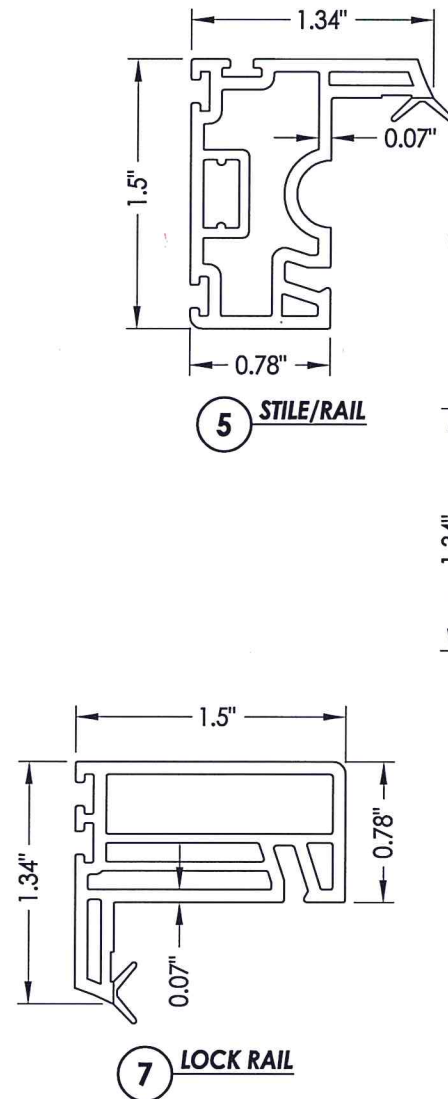
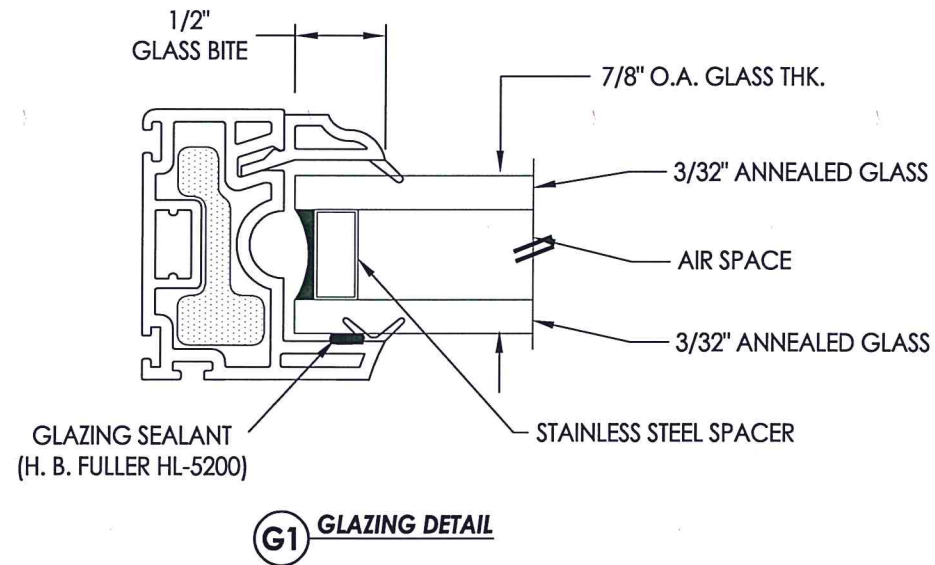


BILL OF MATERIALS

ITEM #	DESCRIPTION	MATERIAL
A	2X FRAMING (SG >= 0.42)	WOOD
C	1/4" MAX. SHIM SPACE	-
F	#8 X 2" MODIFIED TRUSS HEAD (7/16"Ø HEAD) SMS (1-1/2" MIN. EMBEDMENT)	STEEL
1	HEAD (2750)*	RIGID PVC
2	GLAZING BEADS *	RIGID PVC
3	JAMB (2749)*	RIGID PVC
4	SILL (2751)*	RIGID PVC
5	STILE/RAIL (2757)*	RIGID PVC
6	KEEPER RAIL (2759)*	RIGID PVC
7	LOCK RAIL (3198)*	RIGID PVC
10	WEATHERSTRIP	-
11	SASH LOCK (ASHLAND #2004655)	-
12	KEEPER (ASHLAND #2004662)	-
14	REINFORCEMENT (3301)	FIBERGLASS
19	SILL RISER*	RIGID PVC
24	BULB GASKET	FOAM

* THE APPROVED WHITE RIGID PVC EXTERIOR EXTRUSIONS FOR WINDOWS ARE TO BE PRODUCED BY EXTRUDERS LICENSEES IN "CERTIFICATION PROGRAMS FOR RIGID PVC EXTRUSIONS".



Documents Prepared By: Lyndon F. Schmidt, P.E.
TEXAS P.E. #104123

RW BUILDING CONSULTANTS, INC.
P.O. Box 230 Valrico FL, 33595
Phone No.: 813.659.9197
TEXAS BOARD OF PROFESSIONAL ENGINEERS
CERTIFICATE OF REGISTRATION # F-11852

PRODUCT: DOUBLE HUNG WINDOW	
PART OR ASSEMBLY: BILL OF MATERIALS, COMPONENTS & GLAZING DETAILS	
NO.	DATE
BY	REVISIONS
DATE: 5/05/20	
SCALE: N.T.S.	
DWG. BY: TRJ	
CHK. BY: LFS	
DRAWING NO.: TX-5048	
SHEET 3 OF 3	