



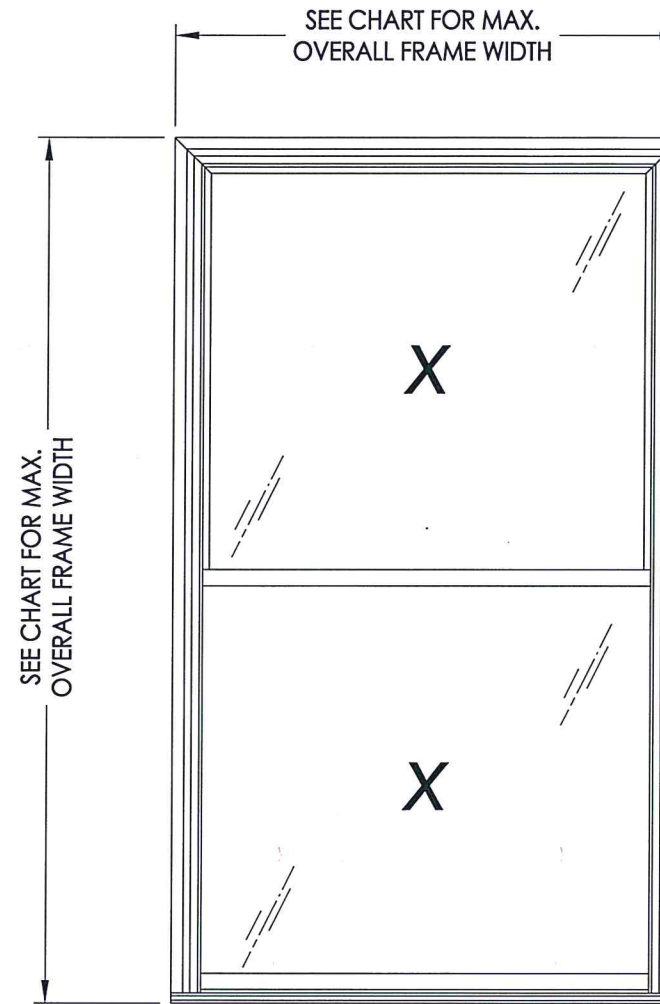
# "Sunrise" Series Double Hung Window "NON-IMPACT"

### EVALUATED FOR USE IN THE STATE OF TEXAS

The Double Hung Window described herein complies with the 2018 International Residential Code (IRC), Sections R301 & R609 and the 2018 International Building Code (IBC), Sections 1404.13, 1609, 1709.5, 2403 and 2404 subject to the following conditions:

1. Anchors shall be as listed and spaced as shown in the details. Anchor embedment to base material shall be beyond roof covering.
2. When used in areas requiring wind-borne debris protection this product is required to be protected with an impact resistant covering that complies with Section R301.2.1.2 of the IRC and Section 1609.2 of the IBC.
3. Allowable design pressure requirements must be equal to or less than the design pressure rating shown in the design pressure chart, sheet 1 of this drawing.
4. Conditions not covered by this drawing are subject to further engineering analysis.

TABLE OF CONTENTS	
SHEET #	DESCRIPTION
1	Typical Elevations, Design Pressures & General Notes
2	Frame Anchoring & Cross Section
3	Bill of Materials, Components & Glazing Details



MAX. OVERALL FRAME DIMENSION	MAX DAY LITE DIMENSION	GLASS TYPE	DESIGN PRESSURE (PSF)	
			POS.	NEG.
48.0" X 78.0"	42.2" X 36.2"	G1	+25.0	-35.0
44.0" X 75.0"	38.2" X 34.7"	G1	+35.0	-45.0
40.0" X 71.0"	34.2" X 32.7"	G1	+45.0	-50.0
40.0" X 63.0"	34.2" X 28.7"	G1	+40.0	-45.0

SEE SHEET 2 FOR REINFORCEMENT REQUIREMENTS



Documents Prepared By: Lyndon F. Schmidt, P.E.  
TEXAS P.E. #104123

RW BUILDING CONSULTANTS, INC.  
P.O. Box 230 Valrico FL 33595  
Phone No.: 813.659.9197  
TEXAS BOARD OF PROFESSIONAL ENGINEERS  
CERTIFICATE OF REGISTRATION # F-11852

PRODUCT: DOUBLE HUNG WINDOW  
PART OR ASSEMBLY: TYPICAL ELEVATION, DESIGN PRESSURES & GENERAL NOTES

NO.	DATE	BY	REVISIONS

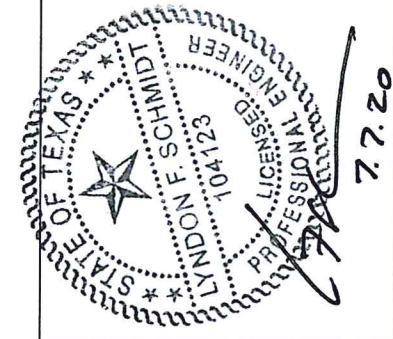
DATE: 5/05/20  
SCALE: N.T.S.  
DWG. BY: TRJ  
CHK. BY: LFS  
DRAWING NO.: TX-5047  
SHEET 1 OF 3



**BILL OF MATERIALS**

ITEM #	DESCRIPTION	MATERIAL
A	2X FRAMING (SG >= 0.42)	WOOD
C	1/4" MAX. SHIM SPACE	-
F	#8 X 2" MODIFIED TRUSS HEAD (7/16"Ø HEAD) SMS (1-1/2" MIN. EMBEDMENT)	STEEL
1	HEAD (2750)*	RIGID PVC
2	GLAZING BEADS *	RIGID PVC
3	JAMB (2749)*	RIGID PVC
4	SILL (2751)*	RIGID PVC
5	STILE/RAIL (2757)*	RIGID PVC
6	KEEPER RAIL (2759)*	RIGID PVC
7	LOCK RAIL (3198)*	RIGID PVC
10	WEATHERSTRIP	-
11	SASH LOCK (ASHLAND #2004655)	-
12	KEEPER (ASHLAND #2004662)	-
14	REINFORCEMENT (3301)	FIBERGLASS
19	SILL RISER*	RIGID PVC
24	BULB GASKET	FOAM

\* THE APPROVED WHITE RIGID PVC EXTERIOR EXTRUSIONS FOR WINDOWS ARE TO BE PRODUCED BY EXTRUDERS LICENSEES IN "CERTIFICATION PROGRAMS FOR RIGID PVC EXTRUSIONS".



Documents Prepared By: Lyndon F. Schmidt, P.E.  
TEXAS P.E. #104123

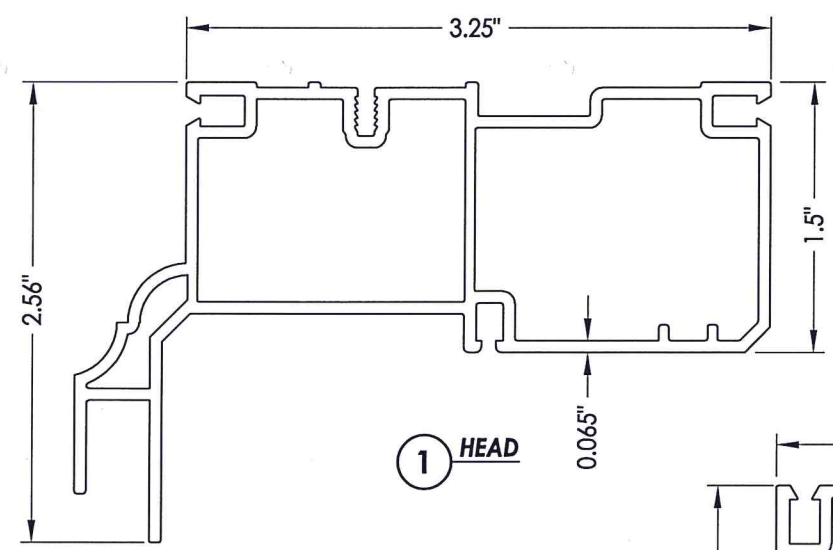
**R.W.** BUILDING CONSULTANTS, INC.  
P.O. Box 230 Valrico FL 33595  
Phone No.: 813.659.9197

TEXAS BOARD OF PROFESSIONAL ENGINEERS  
CERTIFICATE OF REGISTRATION # F-11852

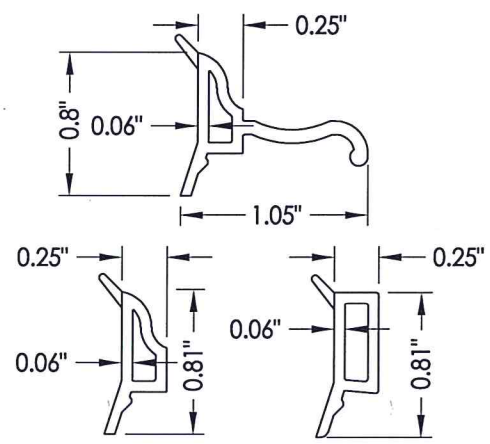
PRODUCT: DOUBLE HUNG WINDOW  
PART OR ASSEMBLY: BILL OF MATERIALS  
COMPONENTS & GLAZING DETAILS

NO.	DATE	BY	REVISIONS

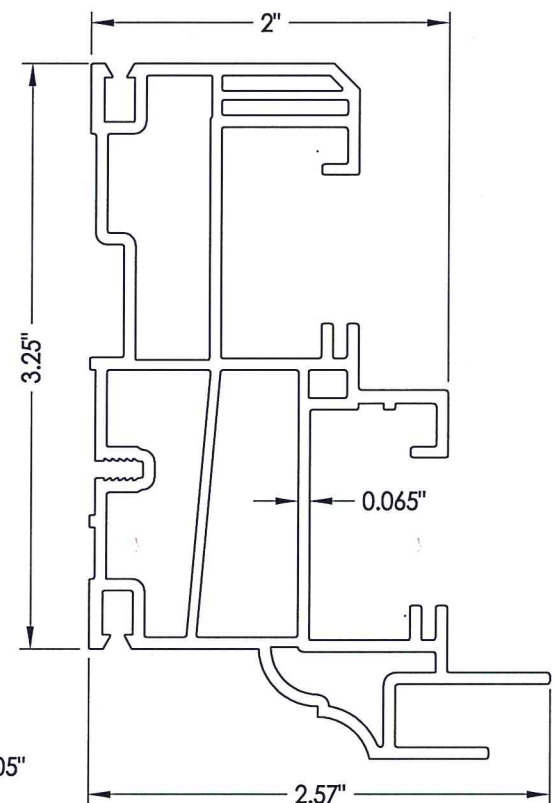
DATE: 5/05/20  
SCALE: N.T.S.  
DWG. BY: TRJ  
CHK. BY: LFS  
DRAWING NO.: TX-5047  
SHEET 3 OF 3



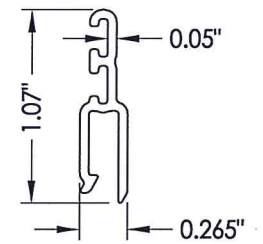
1 HEAD



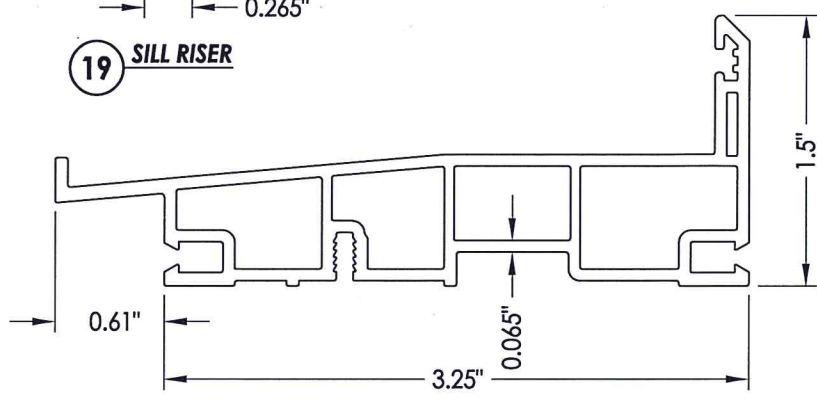
2 GLAZING BEADS



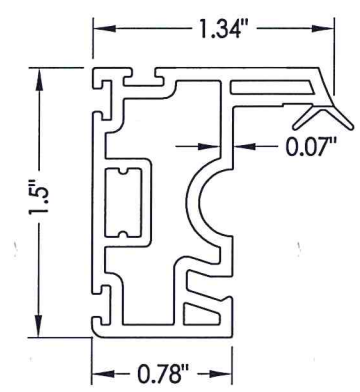
3 JAMB



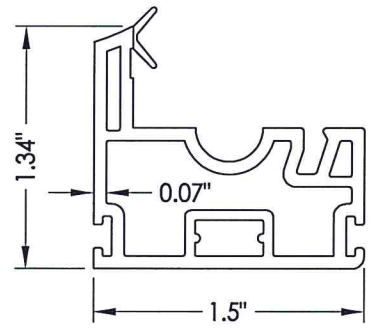
19 SILL RISER



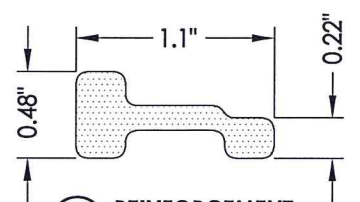
4 SILL



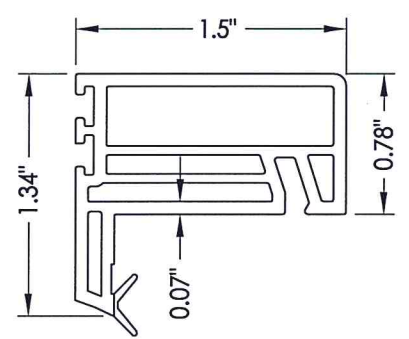
5 STILE/RAIL



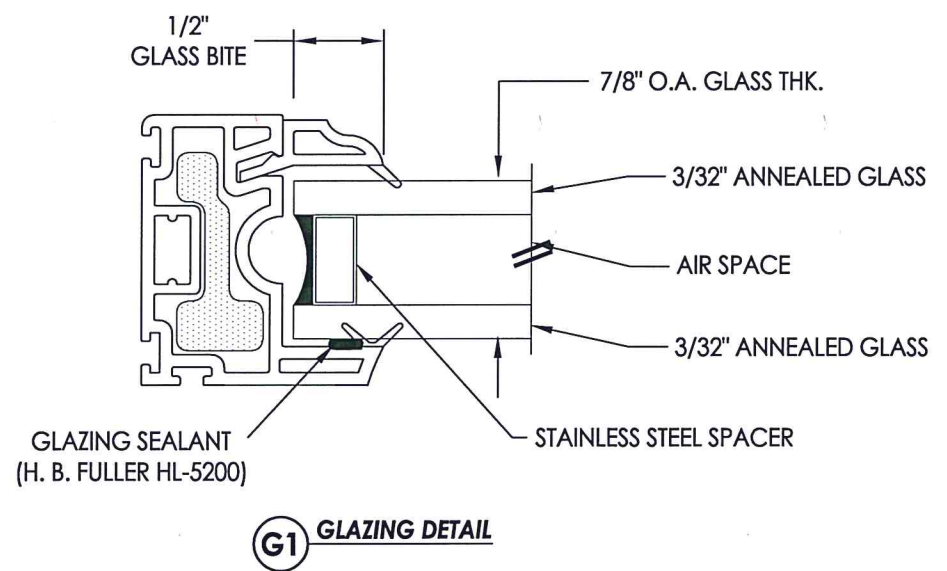
6 KEEPER RAIL



14 REINFORCEMENT



7 LOCK RAIL



G1 GLAZING DETAIL