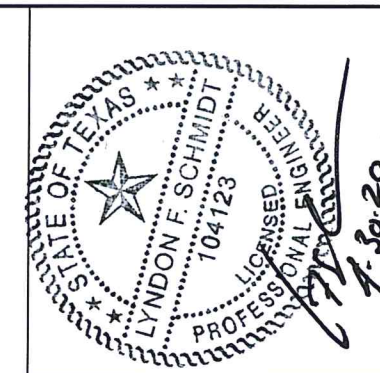
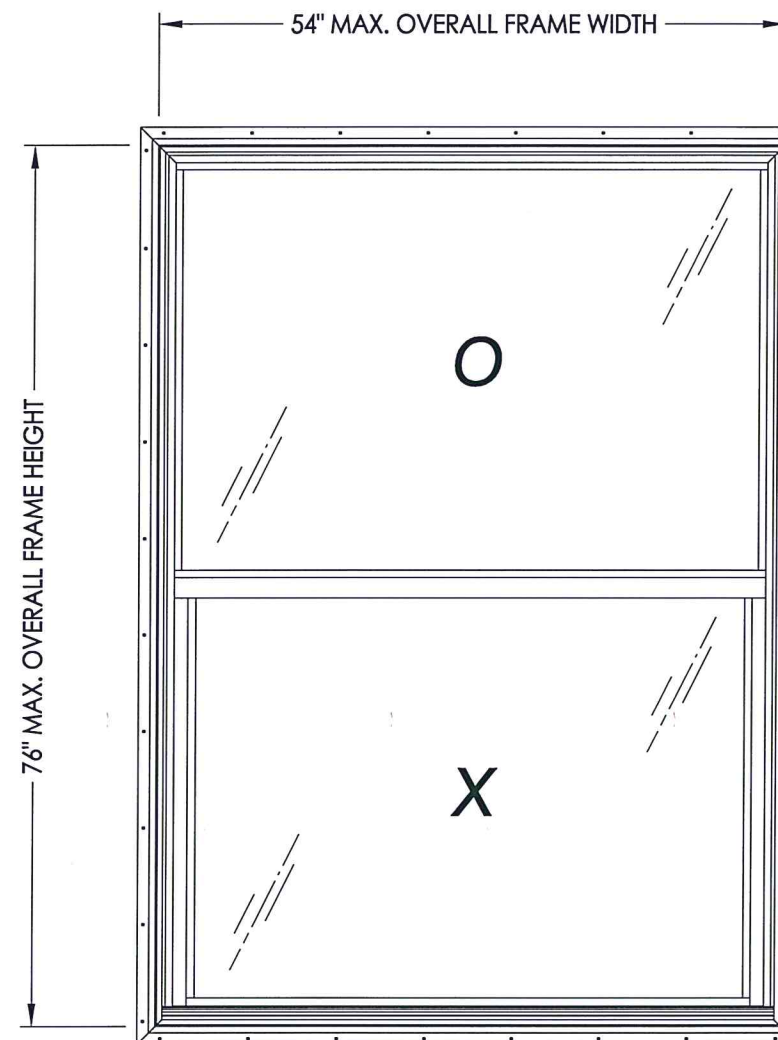




9450 Single Hung Window

**IMPACT RATED
w/ Nailing Fin**



Documents Prepared By: Lyndon F. Schmidt, P.E.
TEXAS P.E. #104123

RW BUILDING CONSULTANTS, INC.
P.O. Box 230 Valrico FL 33595
Phone No.: 813.659.9197

TEXAS BOARD OF PROFESSIONAL ENGINEERS
CERTIFICATE OF REGISTRATION # F-11852

EVALUATED FOR USE IN THE STATE OF TEXAS

The Single Hung Window described herein complies with the 2018 International Residential Code (IRC), Sections R301 & R609 and the 2018 International Building Code (IBC), Sections 1404.13, 1609, 1709.5, 2403 and 2404 subject to the following conditions:

1. Anchors shall be as listed and spaced as shown in the details. Anchor embedment to base material shall be beyond roof covering.
2. When used in areas requiring wind-borne debris protection, this product complies with Section R301.2.1.2 of the IRC and Section 1609.2 of the IBC and does not require impact protection. This product meets missile level "D" and includes Wind Zone 3 as defined in ASTM E 1996.
3. Allowable design pressure requirements must be equal to or less than the design pressure rating shown in the design pressure chart, sheet 1 of this drawing.
4. Conditions not covered by this drawing are subject to further engineering analysis.

TABLE OF CONTENTS	
SHEET#	DESCRIPTION
1	Typical elevations, design pressures & general notes
2	Vertical & horizontal cross sections & frame anchoring
3	Components
4	Bill of materials and glazing details

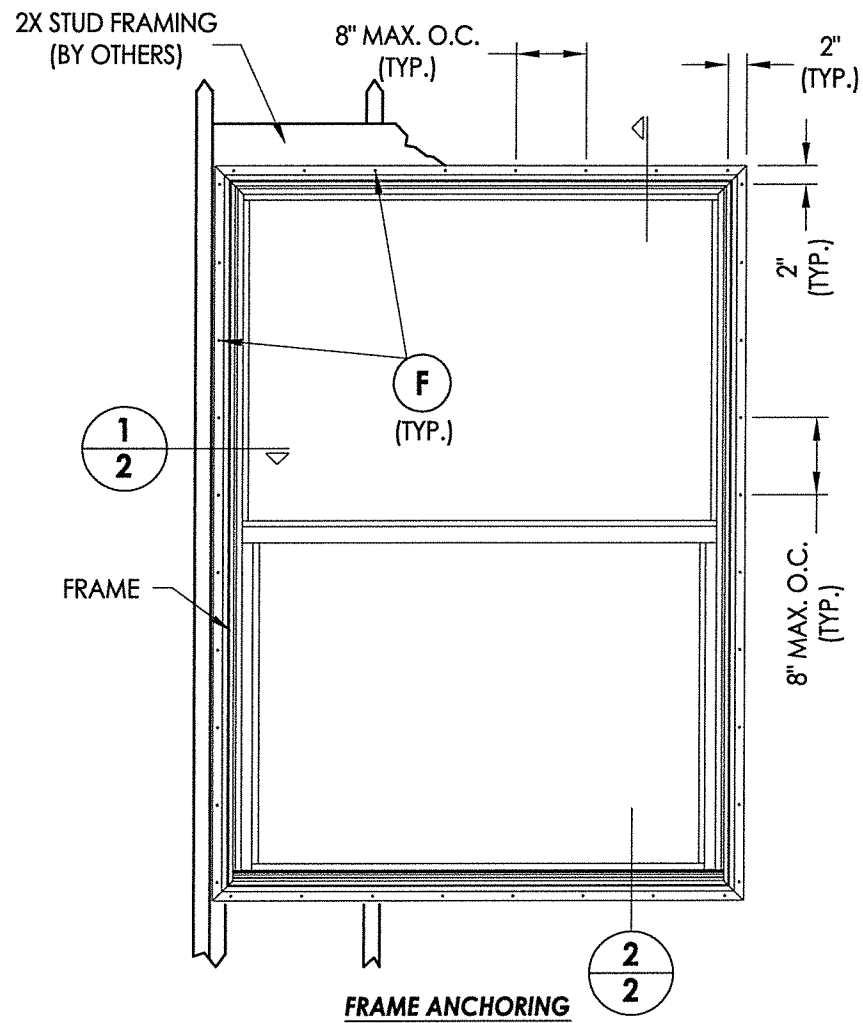
MAX. OVERALL FRAME DIMENSION	MAX DAY LITE DIMENSION (OPERABLE)	MAX DAY LITE DIMENSION (FIXED)	GLASS TYPE	DESIGN PRESSURE (PSF)	
				POS.	NEG.
54.0" X 76.0"	47.25" x 34.38"	49.75" x 34.5"	G1	+55.0	-65.0

PRODUCT: SINGLE HUNG WINDOW
PART OR ASSEMBLY: TYPICAL ELEVATION, DESIGN PRESSURES & GENERAL NOTES

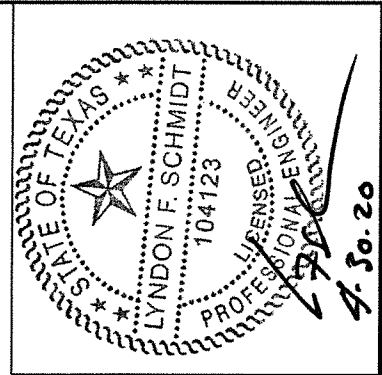
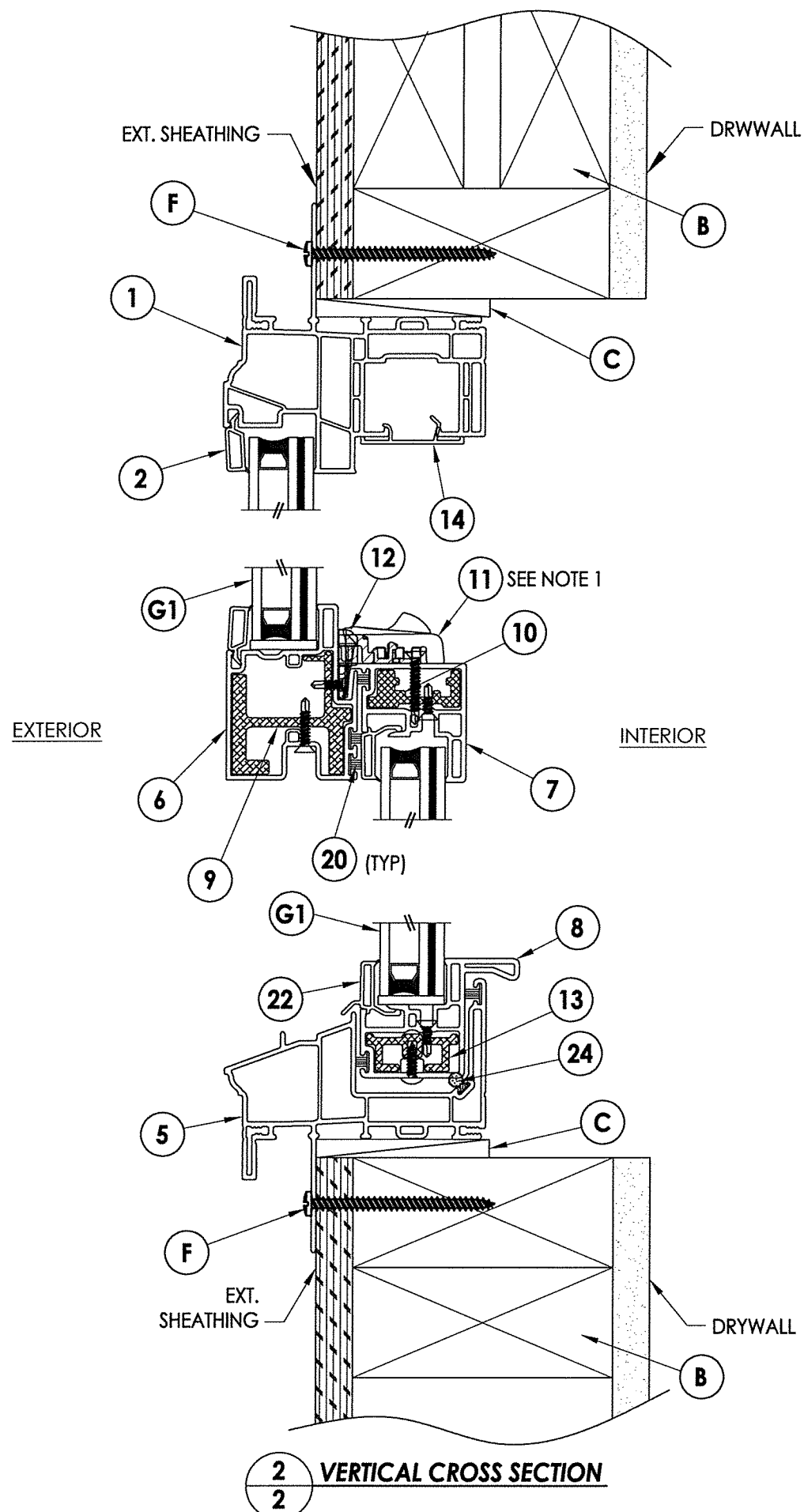
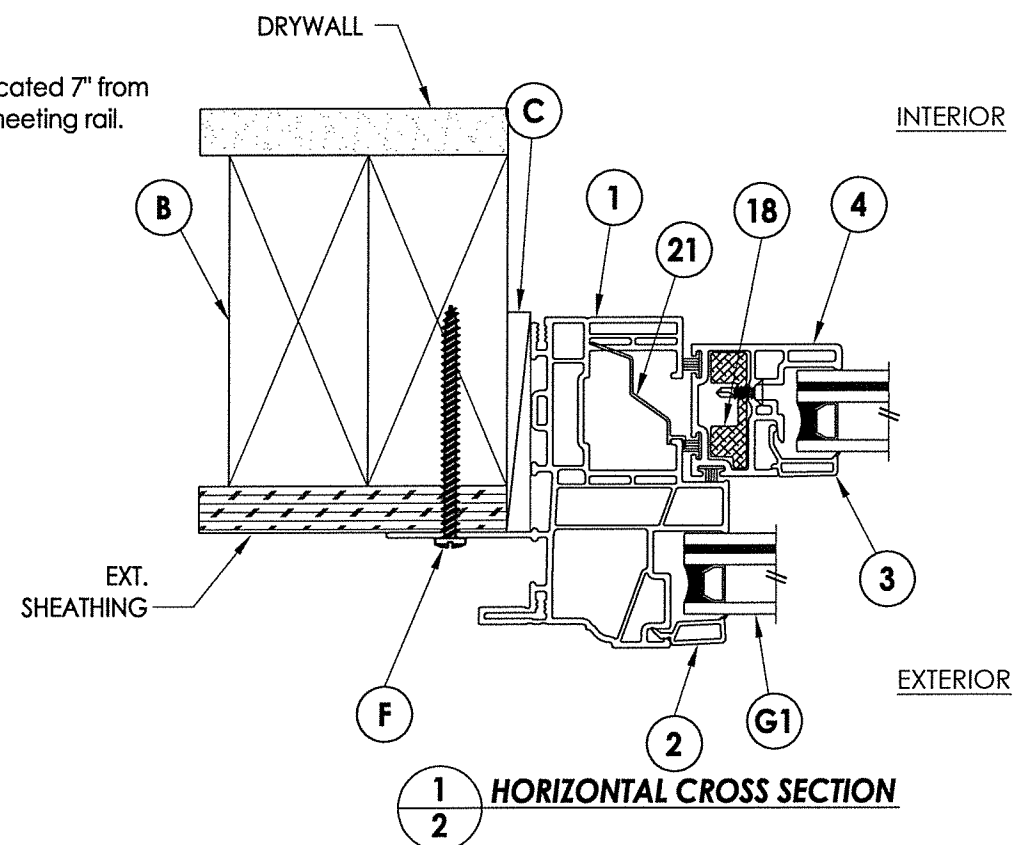
NO.	DATE	BY	REVISIONS

DATE: 3/12/20
SCALE: N.T.S.
DWG. BY: RW
CHK. BY: LFS
DRAWING NO.: TX-5001
SHEET 1 OF 4

R:\Clients\New South Windows PERMANENT\B - Texas Dept of Ins\TDI - XXX 9450 SH\Drawings\TX-5001.dwg, 2-3



NOTE:
1. Lock and keeper located 7" from each end of lock/meeting rail.



Documents Prepared By: Lyndon F. Schmidt, P.E.
TEXAS P.E. #104123

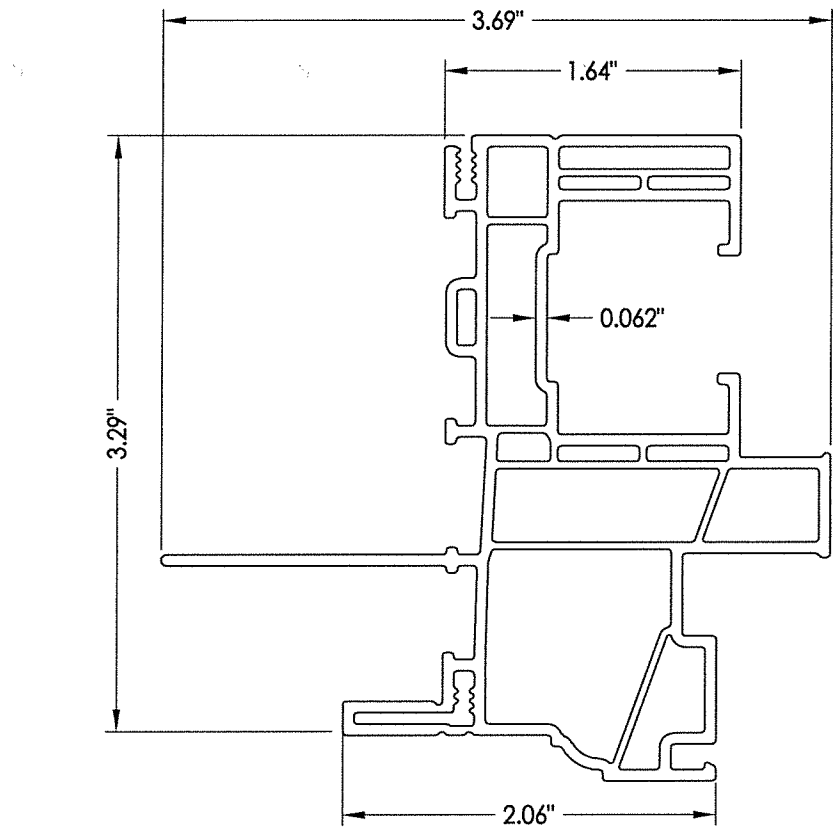
RW BUILDING CONSULTANTS, INC.
P.O. Box 230 Valrico FL, 33595
Phone No.: 813.659.9197
TEXAS BOARD OF PROFESSIONAL ENGINEERS
CERTIFICATE OF REGISTRATION # F-11852

PRODUCT: SINGLE HUNG WINDOW
PART OR ASSEMBLY: VERTICAL & HORIZONTAL CROSS SECTIONS & FRAME ANCHORING

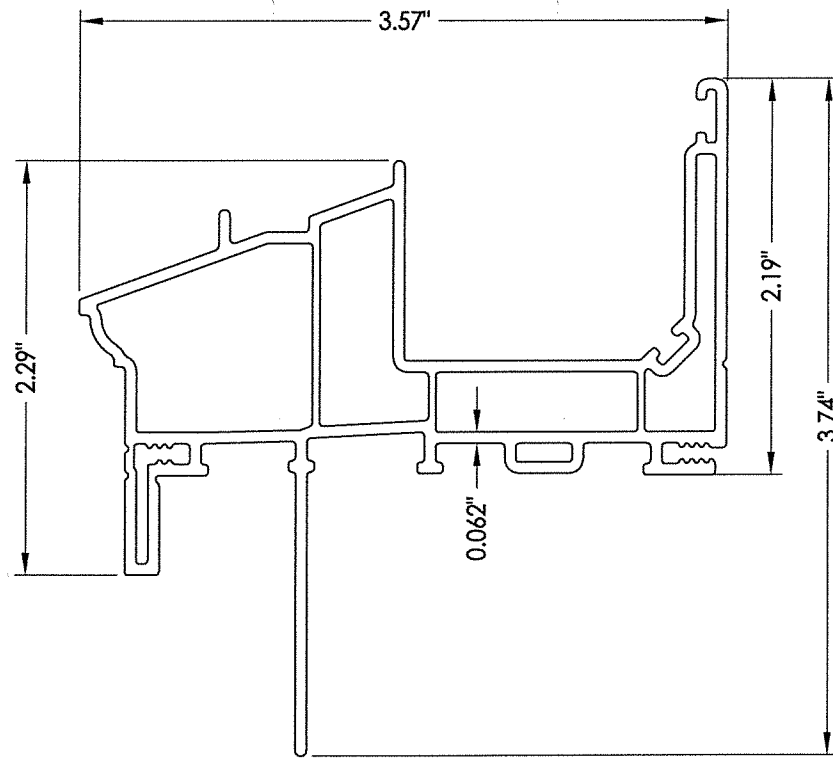
NO.	DATE	BY	REVISIONS

DATE: 3/12/20
SCALE: N.T.S.
DWG. BY: RW
CHK. BY: LFS
DRAWING NO.: TX-5001

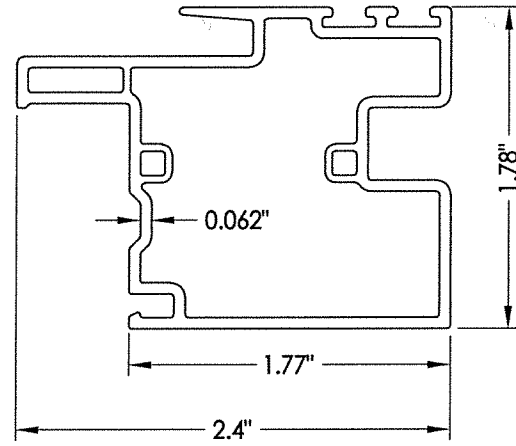
SHEET 2 OF 4



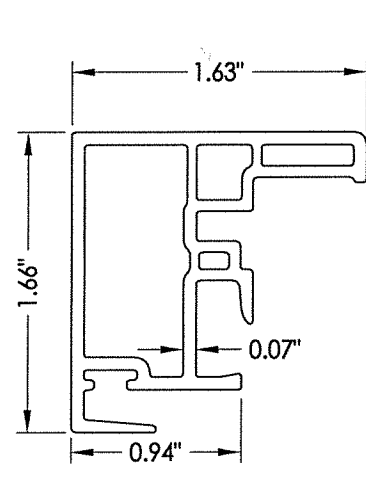
1 FRAME



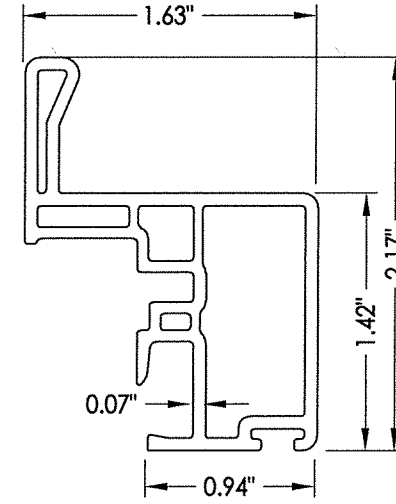
4 SILL



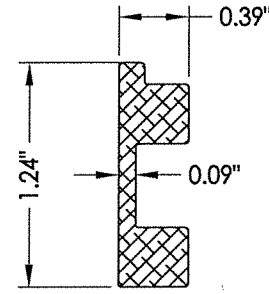
6 MEETING RAIL



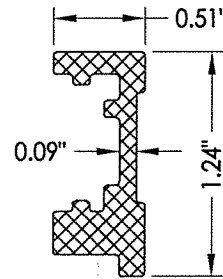
7 LOCK RAIL



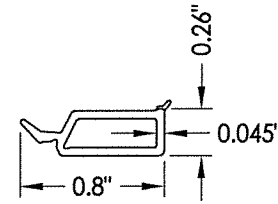
8 BOTTOM RAIL



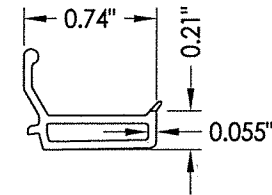
18 STILE REINFORCEMENT



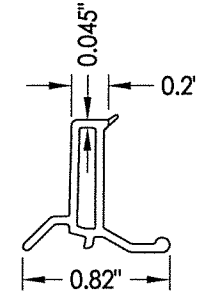
10 LOCK RAIL REINFORCEMENT



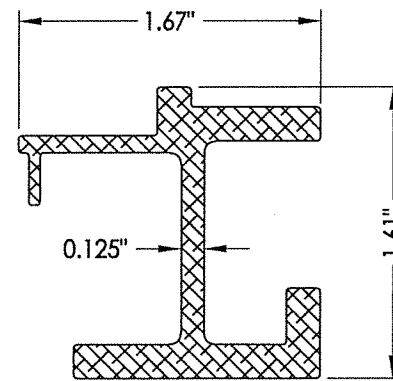
2 GLAZING BEAD



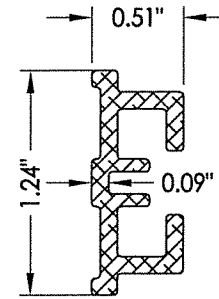
3 GLAZING BEAD



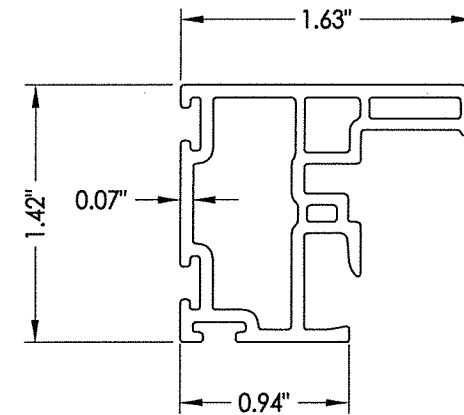
22 GLAZING BEAD
W/ Drip edge



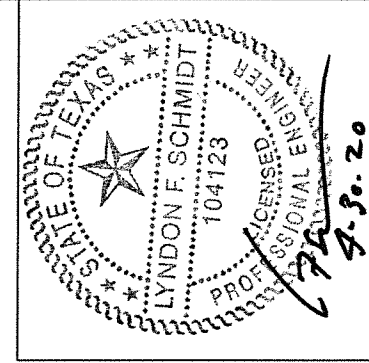
9 MEETING RAIL REINFORCEMENT



13 BOTTOM RAIL REINFORCEMENT



5 STILE



Documents Prepared By: Lyndon F. Schmidt, P.E.
TEXAS P.E. #104123

RW BUILDING CONSULTANTS, INC.
P.O. Box 230 Valrico FL, 33595
Phone No.: 813.659.9197
TEXAS BOARD OF PROFESSIONAL ENGINEERS
CERTIFICATE OF REGISTRATION # F-11852

PRODUCT: SINGLE HUNG WINDOW

PART OR ASSEMBLY:

COMPONENTS

NO.	DATE	REVISIONS	BY

DATE: 3/12/20

SCALE: N.T.S.

DWG. BY: RW

CHK. BY: LFS

DRAWING NO.:

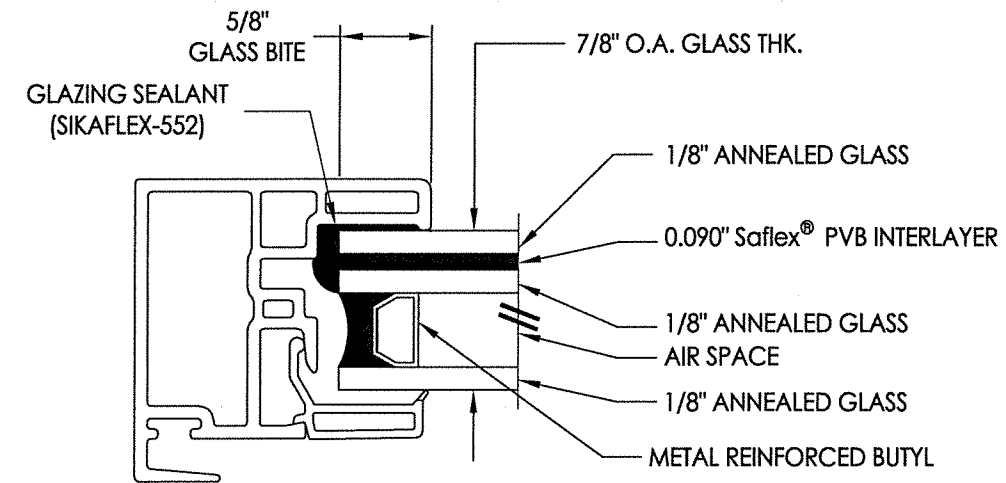
TX-5001

SHEET 3 OF 4

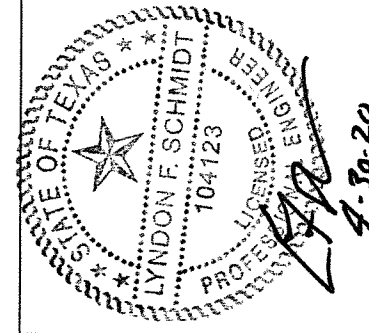
BILL OF MATERIALS

ITEM #	DESCRIPTION	MATERIAL
B	2X FRAMING (SG >= 0.42)	WOOD
C	1/4" MAX. SHIM SPACE	-
F	#10 X 2-1/2" PPH SMS (1-3/4" MIN. EMBEDMENT)	STEEL
1	EXTRUDED VINYL FRAME (455)*	RIGID PVC
2	EXTRUDED VINYL GLAZING BEAD (736A)*	RIGID PVC
3	EXTRUDED VINYL GLAZING BEAD (425A)*	RIGID PVC
4	SILL (459)*	RIGID PVC
5	STILE (438)*	RIGID PVC
6	MEETING RAIL (477)*	RIGID PVC
7	LOCK RAIL (476)*	RIGID PVC
8	BOTTOM RAIL (485B)*	RIGID PVC
9	MEETING RAIL REINFORCEMENT	6063 - T5 ALUM
10	LOCK RAIL REINFORCEMENT	6063 - T5 ALUM
11	SASH LOCK	-
12	KEEPER	-
13	BOTTOM RAIL REINFORCEMENT	6063 - T5 ALUM
14	HEAD ADAPTER (473)*	RIGID PVC
18	STILE REINFORCEMENT	6063 - T5 ALUM
20	WEATHERSTRIP	-
21	BALANCE COVER (468)	RIGID PVC
22	EXTRUDED VINYL GLAZING BEAD W/ DRIP EDGE (467)*	RIGID PVC
24	BULB GASKET (AMESBURY)	FOAM

* THE APPROVED WHITE RIGID PVC EXTERIOR EXTRUSIONS FOR WINDOWS ARE TO BE PRODUCED BY EXTRUDERS LICENSEES IN "CERTIFICATION PROGRAMS FOR RIGID PVC EXTRUSIONS".



G1 GLAZING DETAIL



Documents Prepared By: Lyndon F. Schmidt, P.E.
TEXAS P.E. #104123

RW BUILDING CONSULTANTS, INC.
P.O. Box 230 Valrico FL, 33595
Phone No.: 813.659.9197
TEXAS BOARD OF PROFESSIONAL ENGINEERS
CERTIFICATE OF REGISTRATION # F-11852

PRODUCT: SINGLE HUNG WINDOW

PART OR ASSEMBLY:
BILL OF MATERIALS
AND GLAZING DETAILS

NO.	DATE	BY	REVISIONS

DATE: 3/12/20
SCALE: N.T.S.
DWG. BY: RW
CHK. BY: LFS
DRAWING NO.: TX-5001
SHEET 4 OF 4