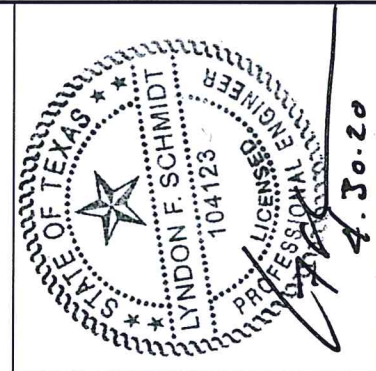
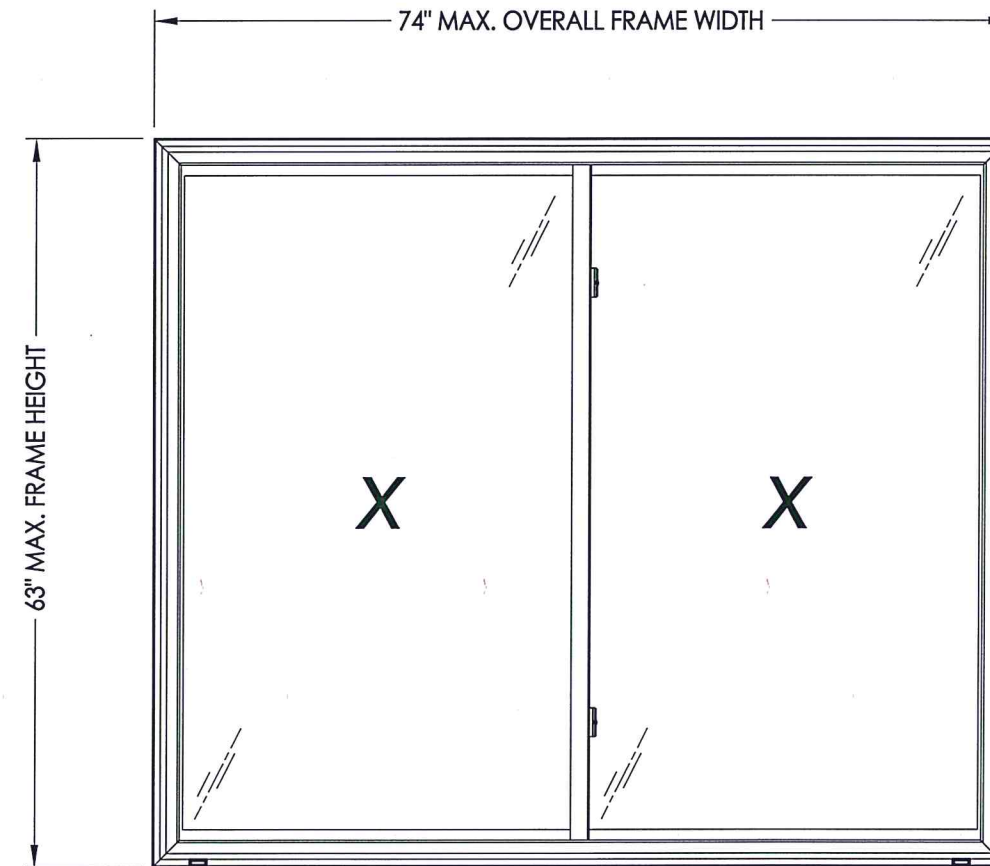




8550 Horizontal Sliding Window

"IMPACT"



EVALUATED FOR USE IN THE STATE OF TEXAS

The Horizontal Sliding Window described herein complies with the 2018 International Residential Code (IRC), Sections R301 & R609 and the 2018 International Building Code (IBC), Sections 1404.13, 1609, 1709.5, 2403 and 2404 subject to the following conditions:

1. Anchors shall be as listed and spaced as shown in the details. Anchor embedment to base material shall be beyond roof covering.
2. When used in areas requiring wind-borne debris protection, this product complies with Section R301.2.1.2 of the IRC and Section 1609.2 of the IBC and does not require impact protection. This product meets missile level "D" and includes Wind Zone 3 as defined in ASTM E 1996.
3. Allowable design pressure requirements must be equal to or less than the design pressure rating shown in the design pressure chart, sheet 1 of this drawing.
4. Conditions not covered by this drawing are subject to further engineering analysis.

TABLE OF CONTENTS	
SHEET #	DESCRIPTION
1	Typical elevations, design pressures & general notes
2	Vertical & horizontal cross sections & frame anchoring
3	Bill of materials, components & glazing details

MAX. OVERALL FRAME DIMENSION	MAX DAY LITE DIMENSION	GLASS TYPE	DESIGN PRESSURE (PSF)	
			POS.	NEG.
74.0" X 63.0"	33.63" X 56.75"	G1	+50.0	-60.0

Documents Prepared By: Lyndon F. Schmidt, P.E. TEXAS P.E. #104123

RW BUILDING CONSULTANTS, INC.
P.O. Box 230 Valrico FL 33595
Phone No.: 813.659.9197

TEXAS BOARD OF PROFESSIONAL ENGINEERS
CERTIFICATE OF REGISTRATION # F-11852

DATE: 4/30/20

SCALE: N.T.S.

DWG. BY: RW

CHK. BY: LFS

DRAWING NO.: TX-5038

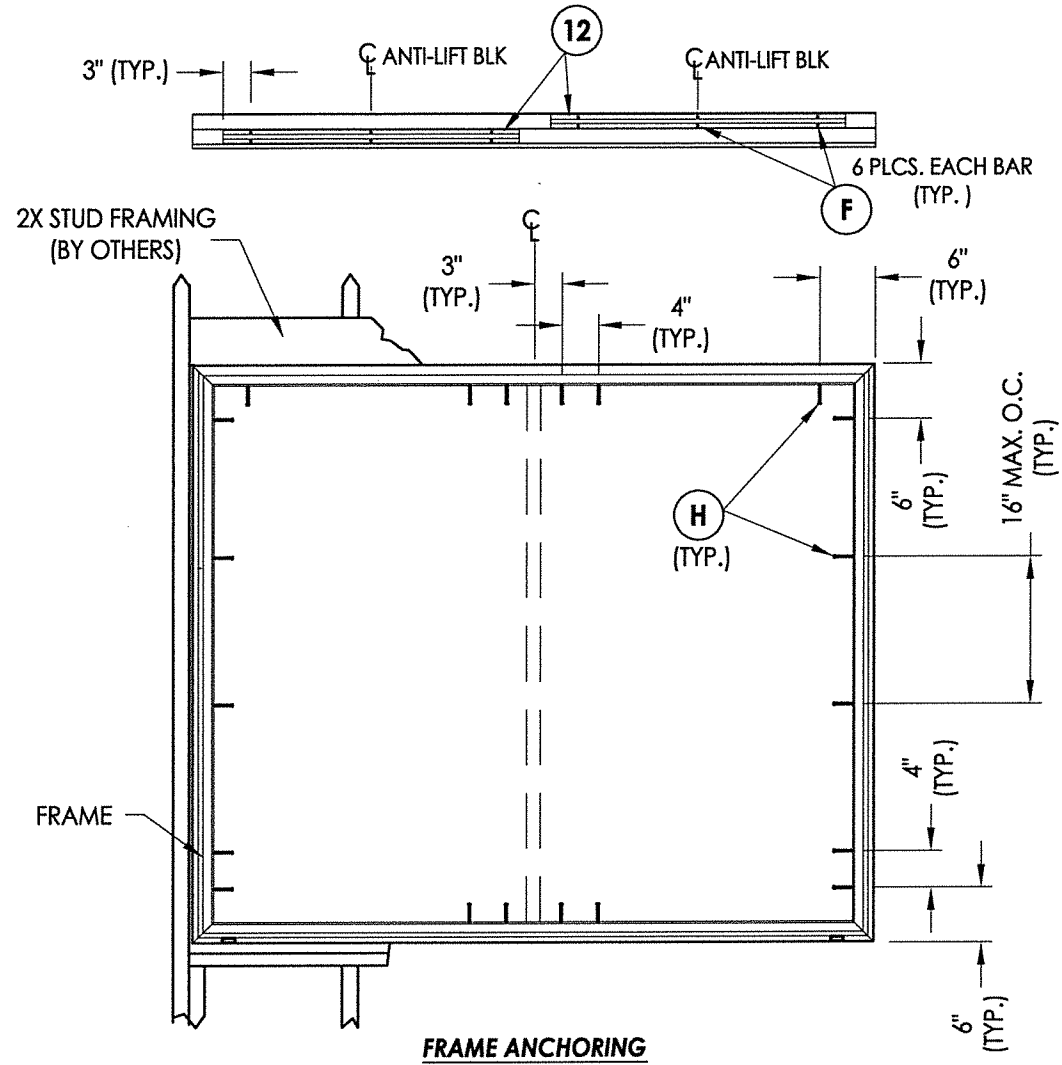
SHEET 1 OF 3

PRODUCT: NewSouth

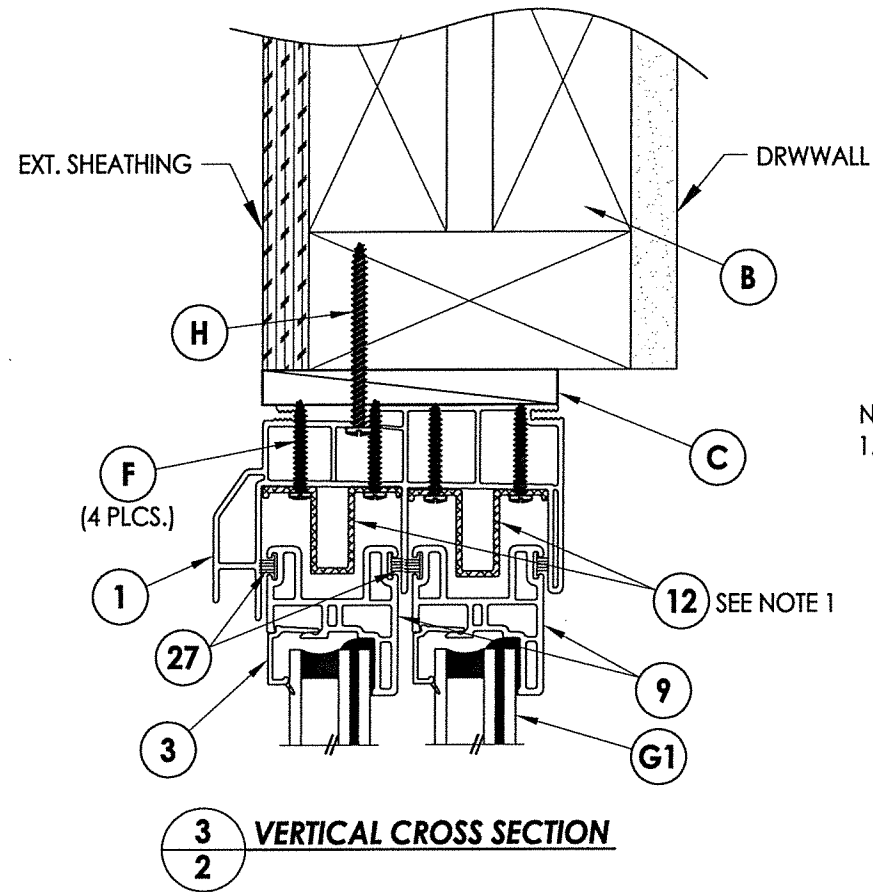
PART OR ASSEMBLY: TYPICAL ELEVATION, DESIGN PRESSURES & GENERAL NOTES

NO.	DATE	BY	REVISIONS

R:\Clients\New South Windows PERMANENT\B - Texas Dept of Ins\TDI - XXX 8550 HS\Drawings\TX-5038.dwg, 2.2

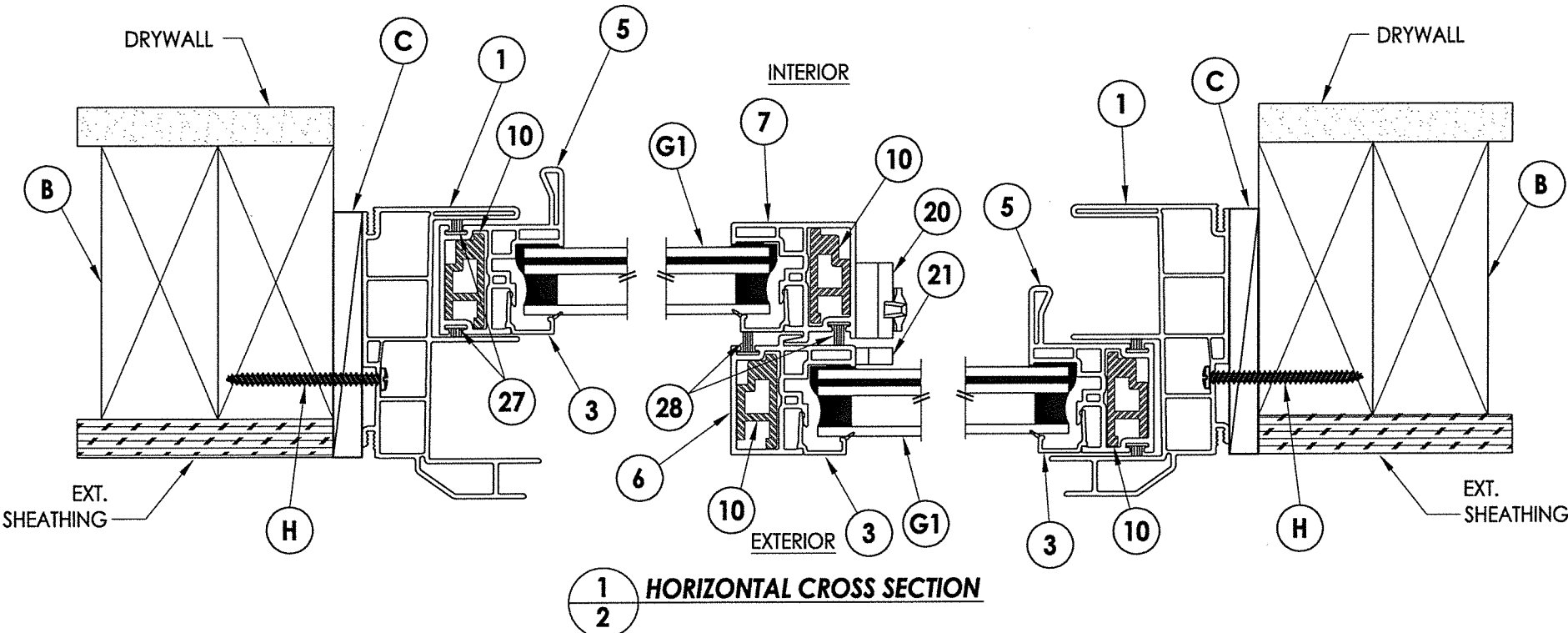


FRAME ANCHORING

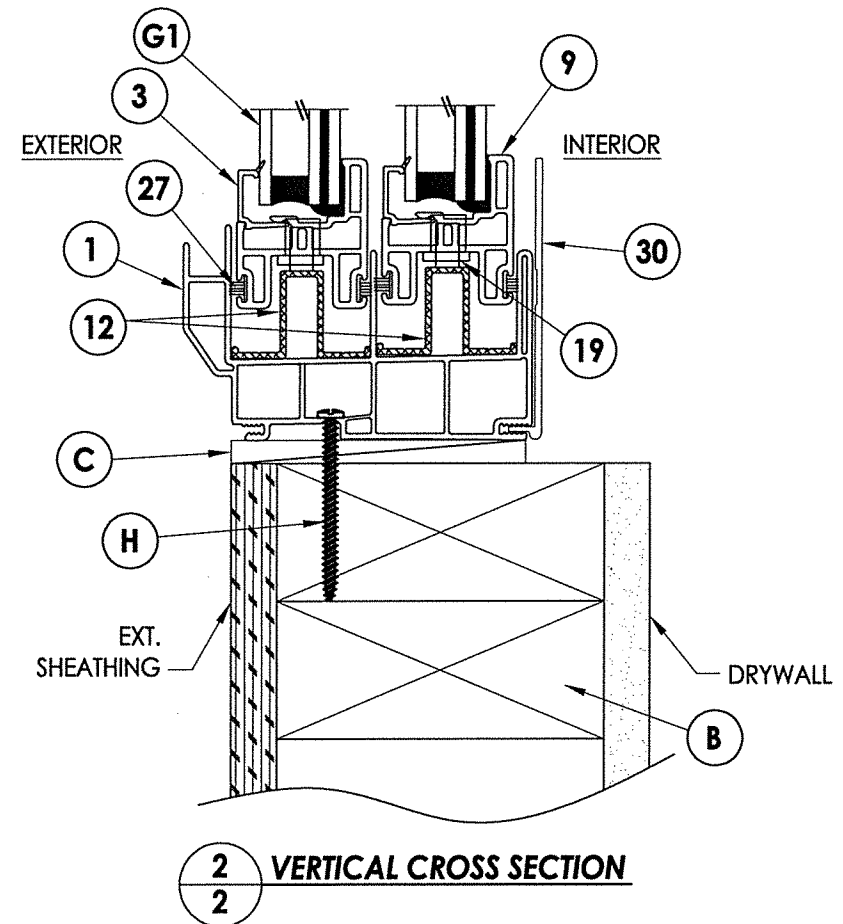


3 VERTICAL CROSS SECTION

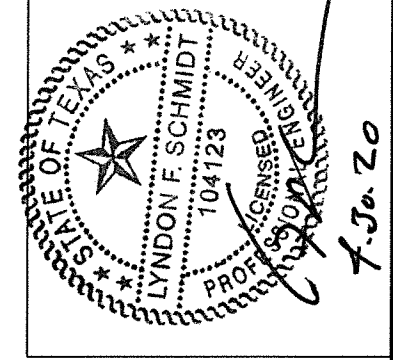
NOTE:
1. ITEM #12, ANTI-LIFT BLOCKS ARE 32" LONG @ HEAD.
SEE SHEET 4 FOR INSTALLATION DETAILS.



1 HORIZONTAL CROSS SECTION



2 VERTICAL CROSS SECTION



Documents Prepared By: Lyndon F. Schmidt, P.E.
TEXAS P.E. #104123

RW BUILDING CONSULTANTS, INC.
P.O. Box 230 Valrico FL, 33595
Phone No.: 813.659.9197

TEXAS BOARD OF PROFESSIONAL ENGINEERS
CERTIFICATE OF REGISTRATION # F-11852

PRODUCT: New South

PART OR ASSEMBLY: VERTICAL & HORIZONTAL CROSS SECTIONS & FRAME ANCHORING

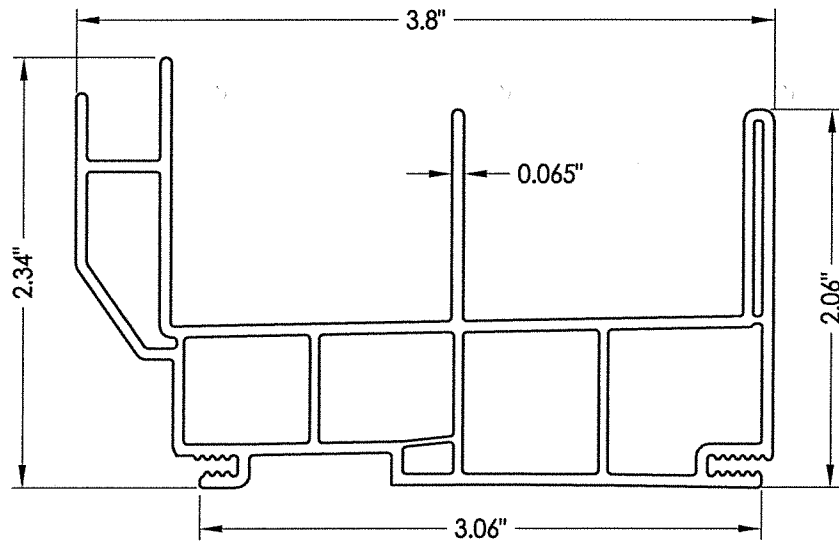
NO.	DATE	BY	REVISIONS

DATE: 4/30/20
SCALE: N.T.S.
DWG. BY: RW
CHK. BY: LFS
DRAWING NO.: TX-5038
SHEET 2 OF 3

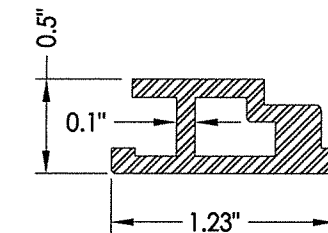
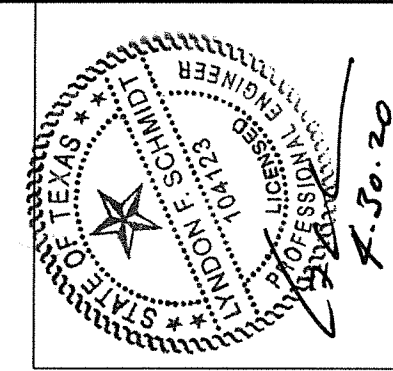
BILL OF MATERIALS

ITEM #	DESCRIPTION	MATERIAL
B	2X FRAMING (SG >= 0.42)	WOOD
C	3/8" MAX. SHIM SPACE (HEAD & JAMBS), 1/4" MAX. SHIM SPACE (SILL)	-
F	#8 X 1" PPH SMS	STEEL
H	#10 X 2" PPH SMS (1-3/8" MIN. EMBEDMENT)	STEEL
1	FRAME *	RIGID PVC
3	GLAZING BEAD *	RIGID PVC
5	HANDLE STILE *	RIGID PVC
6	KEEPER STILE *	RIGID PVC
7	LOCK STILE *	RIGID PVC
9	RAIL *	RIGID PVC
10	REINFORCEMENT (6065-T5 ALUM)	ALUM
12	ANTI-LIFT LBOCKS (6065-T5 ALUM)	ALUM
19	SASH ROLLERS	-
20	LOCK	-
21	LOCK KEEPER	-
27	WEATHERSTRIP (0.250" SINGLE FIN PILE)	-
28	WEATHERSTRIP (0.350" SINGLE FIN PILE)	-
30	SILL RISER (6063-T6 ALUM)	ALUM

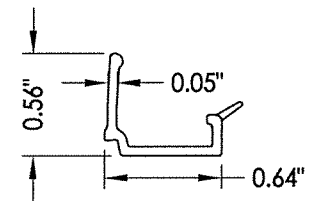
* THE APPROVED WHITE RIGID PVC EXTERIOR EXTRUSIONS FOR WINDOWS ARE TO BE PRODUCED BY EXTRUDERS LICENSEES IN "CERTIFICATION PROGRAMS FOR RIGID PVC EXTRUSIONS".



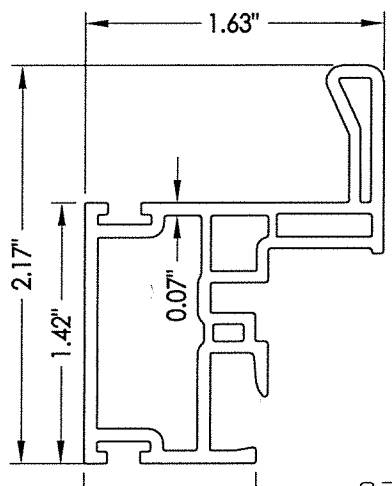
1 FRAME



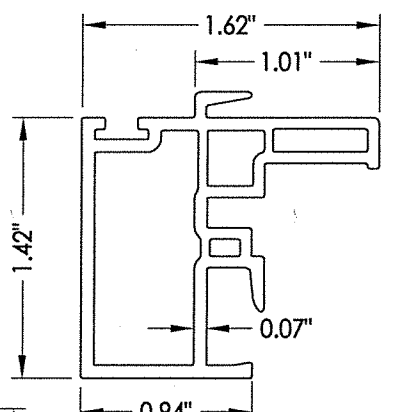
10 REINFORCEMENT



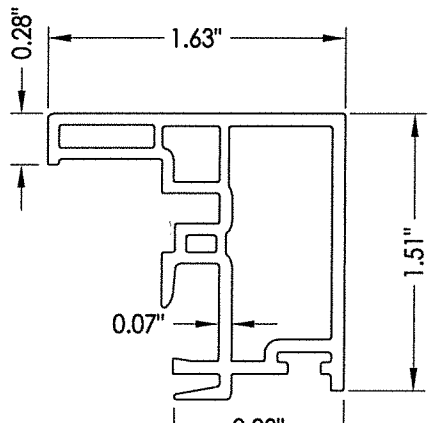
3 GLAZING BEAD



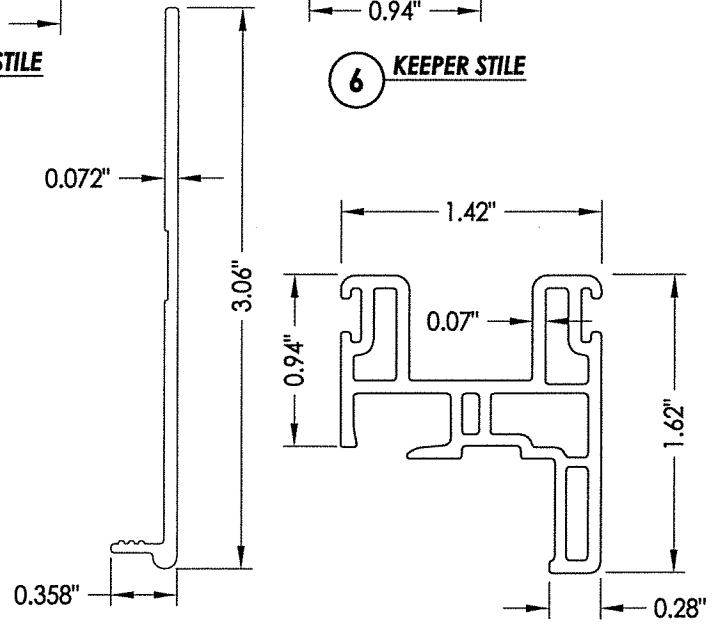
5 HANDLE STILE



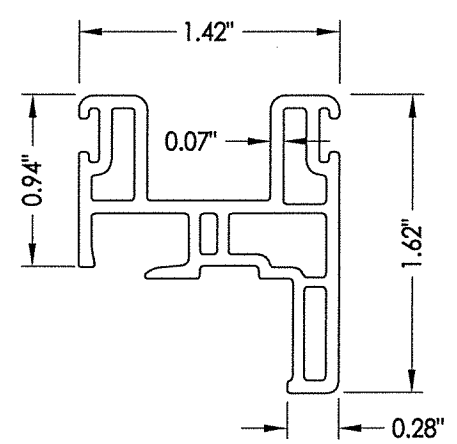
6 KEEPER STILE



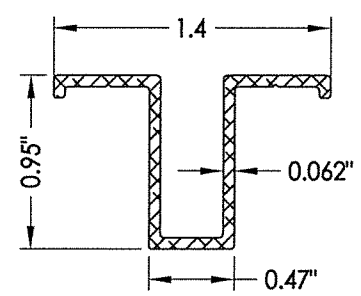
7 LOCK STILE



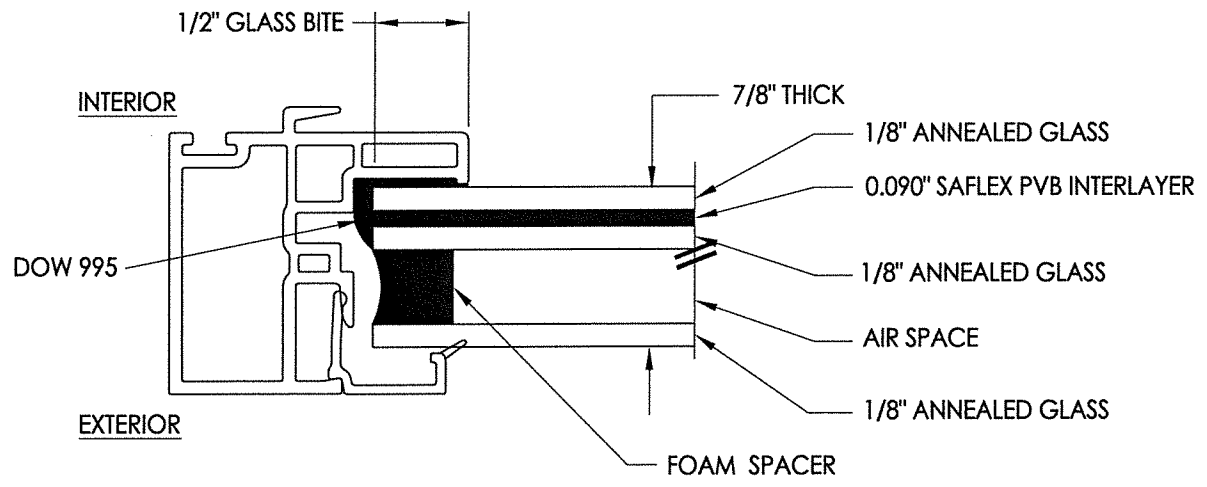
30 SILL RISER



9 RAIL



12 ANTI-LIFT BLOCKS



G1 GLAZING DETAIL

Documents Prepared By: Lyndon F. Schmidt, P.E. TEXAS P.E. #104123

RW BUILDING CONSULTANTS, INC.
P.O. Box 230 Valrico FL 33595
Phone No.: 813.659.9197

TEXAS BOARD OF PROFESSIONAL ENGINEERS
CERTIFICATE OF REGISTRATION # F-11852

PRODUCT: NewSouth

PART OR ASSEMBLY: BILL OF MATERIALS, GLAZING DETAILS & COMPONENTS

NO.	DATE	BY

REVISIONS

DATE: 4/30/20
SCALE: N.T.S.
DWG. BY: RW
CHK. BY: LFS
DRAWING NO.: TX-5038
SHEET 3 OF 3

© 2020 R.W. BUILDING CONSULTANTS INC.