



8500-3 Horizontal Sliding Window

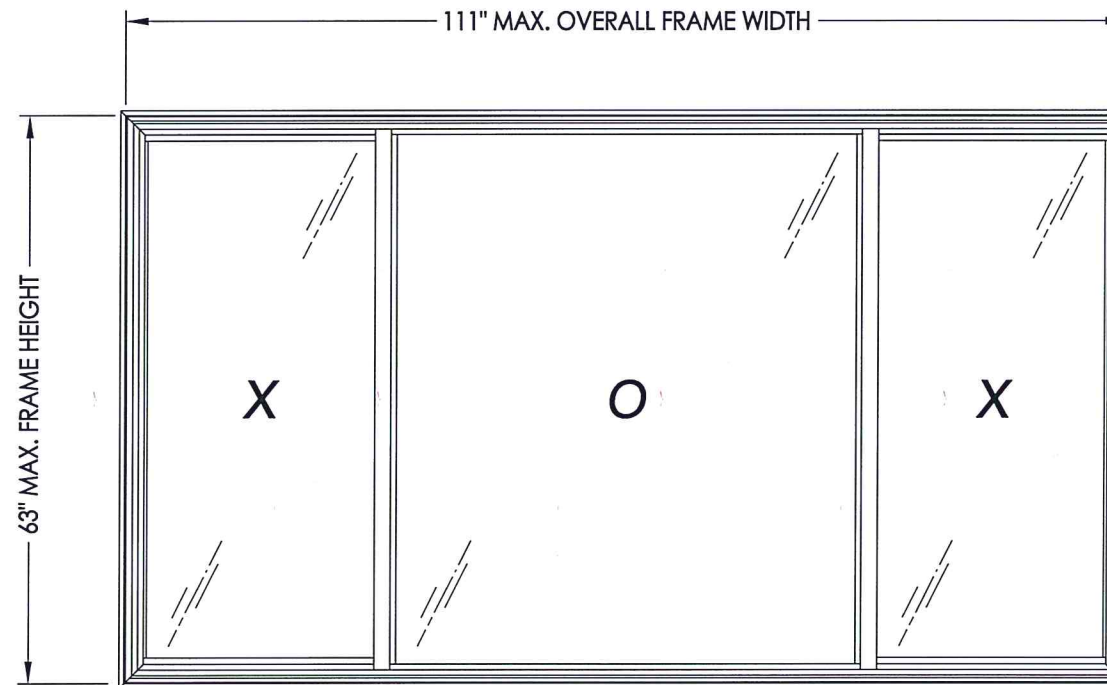
"NON-IMPACT"

EVALUATED FOR USE IN THE STATE OF TEXAS

The Horizontal Sliding Window described herein complies with the 2018 International Residential Code (IRC), Sections R301 & R609 and the 2018 International Building Code (IBC), Sections 1404.13, 1609, 1709.5, 2403 and 2404 subject to the following conditions:

1. Anchors shall be as listed and spaced as shown in the details. Anchor embedment to base material shall be beyond wall dressing or stucco.
2. When used in areas requiring wind-borne debris protection this product is required to be protected with an impact resistant covering that complies with Section R301.2.1.2 of the IRC and Section 1609.1.2 of the IBC.
3. Allowable design pressure requirements must be equal to or less than the design pressure rating shown in the design pressure chart, sheet 1 of this drawing.
4. Conditions not covered by this drawing are subject to further engineering analysis.

TABLE OF CONTENTS	
SHEET #	DESCRIPTION
1	Typical elevations, design pressures & general notes
2	Vertical & horizontal cross sections & frame anchoring
3	Bill of materials, components & glazing details

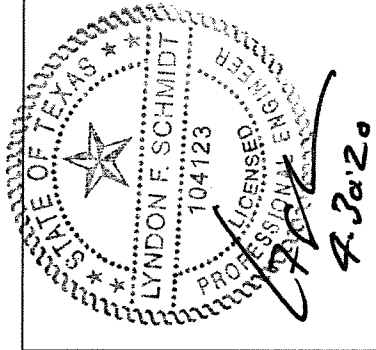
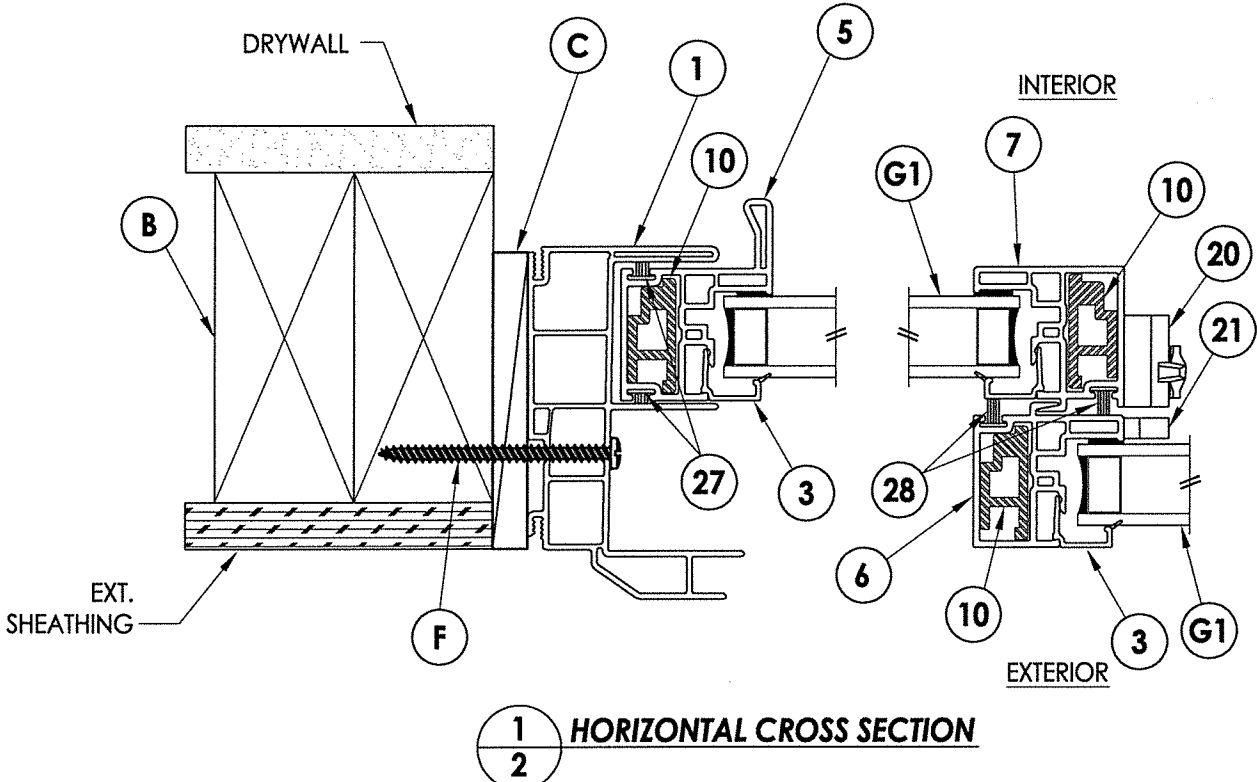
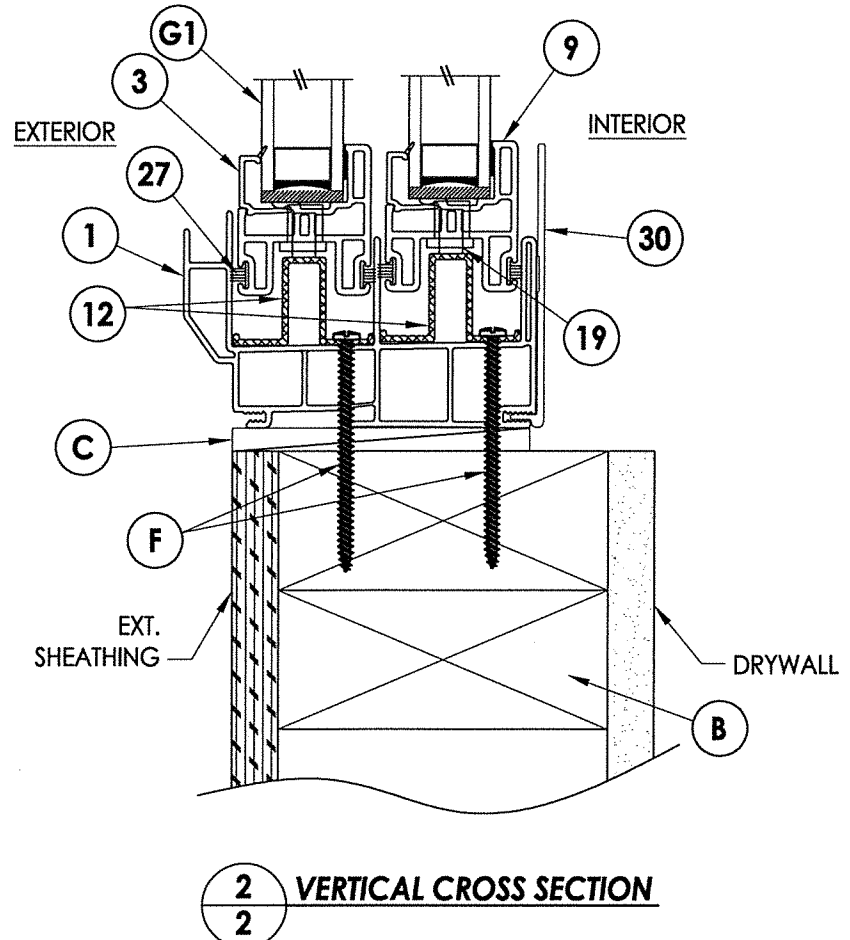
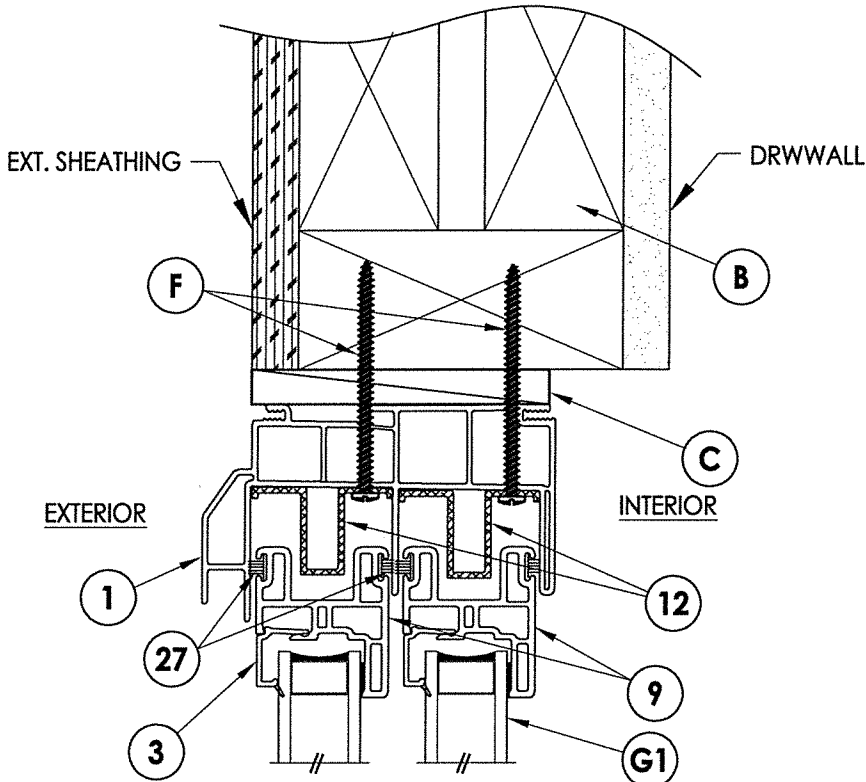
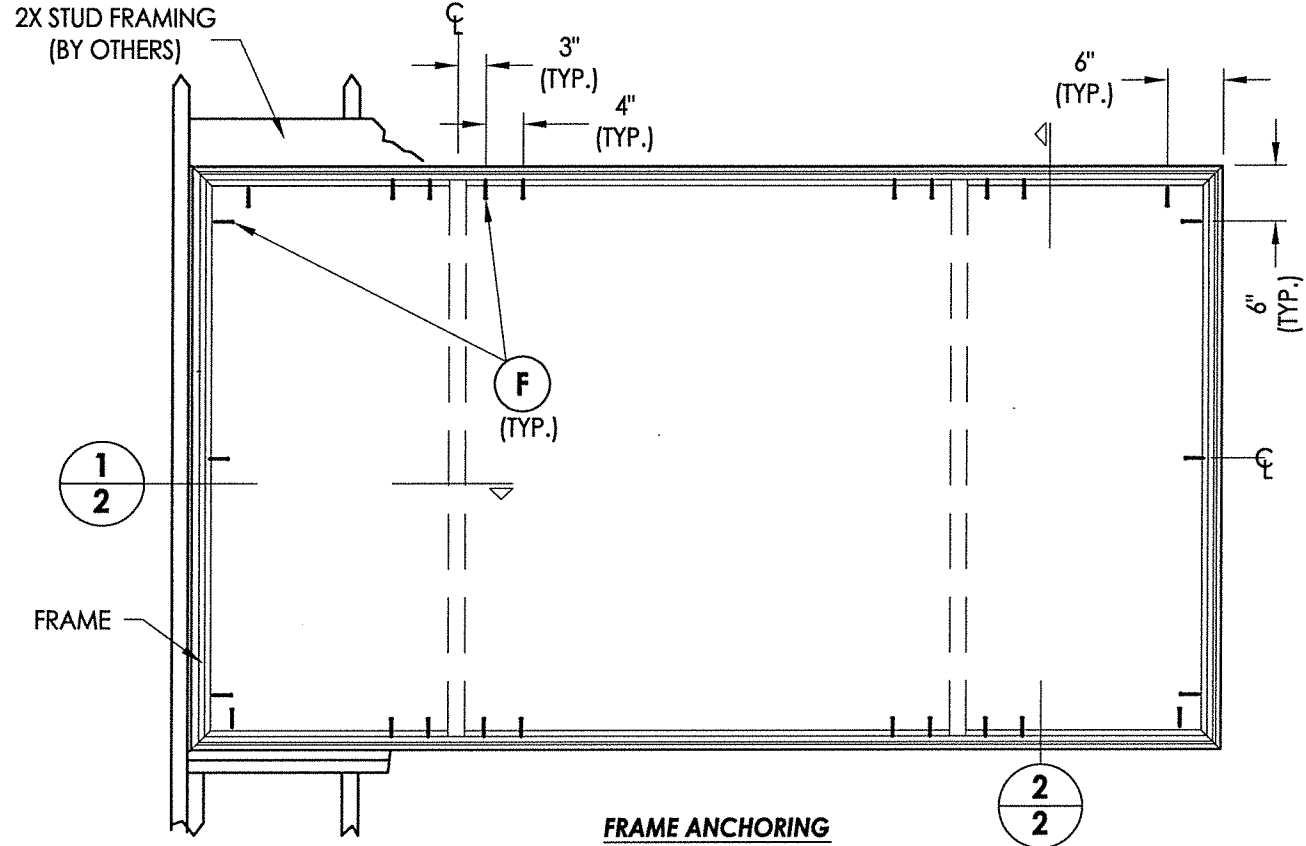


MAX. OVERALL FRAME DIMENSION	MAX DAY LITE DIMENSION (OPERABLE)	MAX DAY LITE DIMENSION (FIXED)	GLASS TYPE	DESIGN PRESSURE (PSF)	
				POS.	NEG.
111.0" X 63.0"	24.38" X 56.75"	53.75" X 56.75"	G1	+30.0	-35.0



Documents Prepared By: Lyndon F. Schmidt, P.E.
 TEXAS P.E. #104123
 R.W. BUILDING CONSULTANTS, INC.
 P.O. Box 230 Vairico FL. 33595
 Phone No.: 813.659.9197
 TEXAS BOARD OF PROFESSIONAL ENGINEERS
 CERTIFICATE OF REGISTRATION # F-11852

PRODUCT:	NewSouth	
PART OR ASSEMBLY:	TYPICAL ELEVATION, DESIGN PRESSURES & GENERAL NOTES	
NO.	DATE	BY
REVISIONS		
DATE: 4/30/20		
SCALE: N.T.S.		
DWG. BY: RW		
CHK. BY: LFS		
DRAWING NO.: TX-5037		
SHEET 1 OF 3		



Documents Prepared By: Lyndon F. Schmidt, P.E.
TEXAS P.E. #104123

RW BUILDING CONSULTANTS, INC.
P.O. Box 230 Valrico FL 33595
Phone No.: 813.659.9197

TEXAS BOARD OF PROFESSIONAL ENGINEERS
CERTIFICATE OF REGISTRATION # F-11852

PRODUCT: NewSouth

PART OR ASSEMBLY: VERTICAL & HORIZONTAL CROSS SECTIONS & FRAME ANCHORING

NO.	DATE	BY	REVISIONS

DATE: 4/30/20

SCALE: N.T.S.

DWG. BY: RW

CHK. BY: LFS

DRAWING NO.: TX-5037

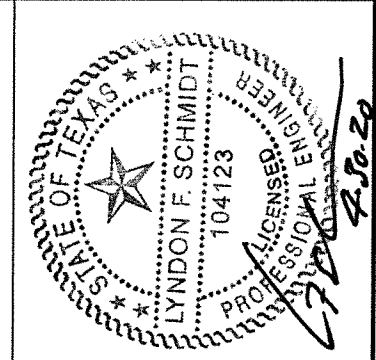
SHEET 2 of 3

© 2020 R.W. BUILDING CONSULTANTS INC.

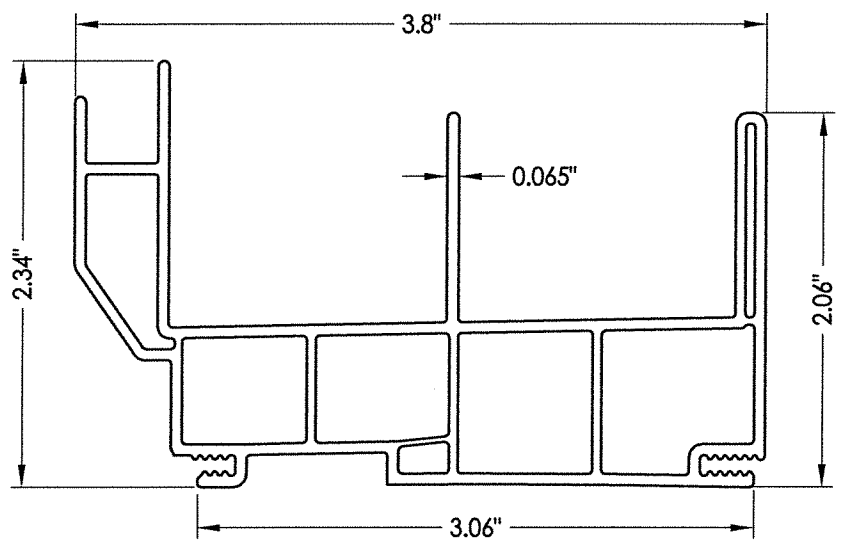
BILL OF MATERIALS

ITEM #	DESCRIPTION	MATERIAL
B	2X FRAMING (SG >= 0.42)	WOOD
C	3/8" MAX. SHIM SPACE (HEAD & JAMBS), 1/4" MAX. SHIM SPACE (SILL)	-
F	#8 X 2-1/2" PPH SMS (1-1/4" MIN. EMBEDMENT)	STEEL
1	FRAME *	RIGID PVC
3	GLAZING BEAD *	RIGID PVC
5	HANDLE STILE *	RIGID PVC
6	KEEPER STILE *	RIGID PVC
7	LOCK STILE *	RIGID PVC
9	RAIL *	RIGID PVC
10	REINFORCEMENT (6065-T5 ALUM)	ALUM
12	ANTI-LIFT LBOCKS (6065-T5 ALUM)	ALUM
19	SASH ROLLERS	-
20	LOCK	-
21	LOCK KEEPER	-
27	WEATHERSTRIP (0.250" SINGLE FIN PILE)	-
28	WEATHERSTRIP (0.350" SINGLE FIN PILE)	-
30	SILL RISER (6063-T6 ALUM)	ALUM

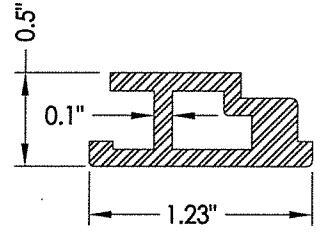
* THE APPROVED WHITE RIGID PVC EXTERIOR EXTRUSIONS FOR WINDOWS ARE TO BE PRODUCED BY EXTRUDERS LICENSEES IN "CERTIFICATION PROGRAMS FOR RIGID PVC EXTRUSIONS".



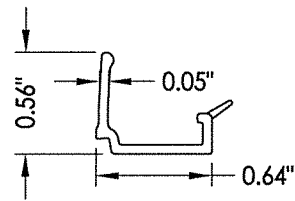
Documents Prepared By: Lyndon F. Schmidt, P.E.
TEXAS P.E. #104123
RW BUILDING CONSULTANTS, INC.
P.O. Box 230 Vairico FL, 33595
Phone No.: 813.659.9197
TEXAS BOARD OF PROFESSIONAL ENGINEERS
CERTIFICATE OF REGISTRATION # F-11852



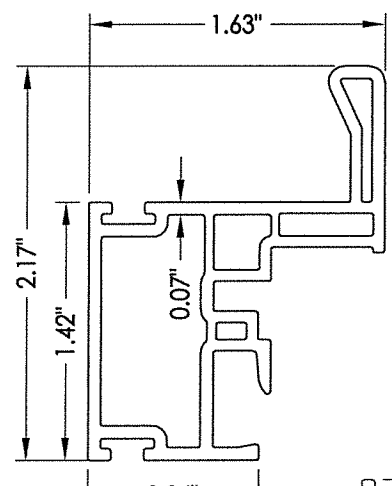
1 FRAME



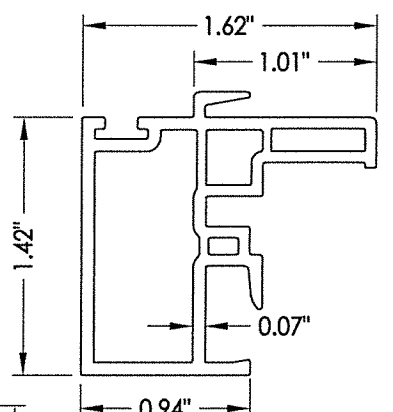
10 REINFORCEMENT



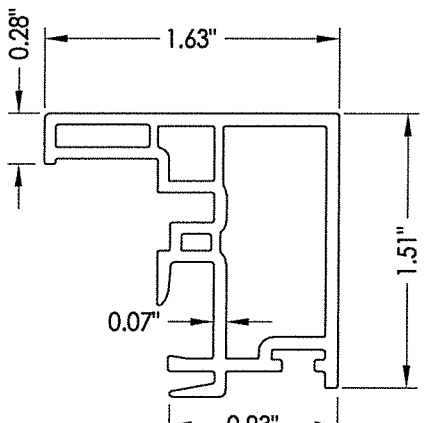
3 GLAZING BEAD



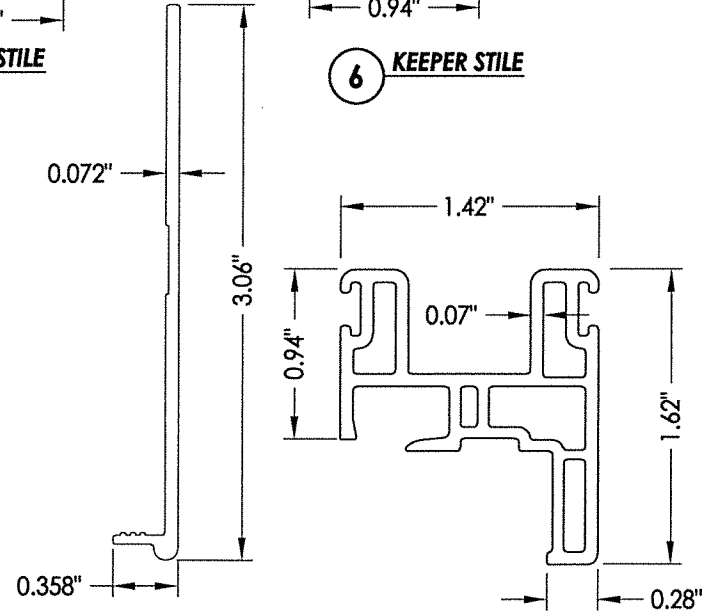
5 HANDLE STILE



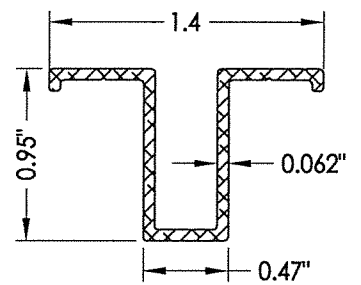
6 KEEPER STILE



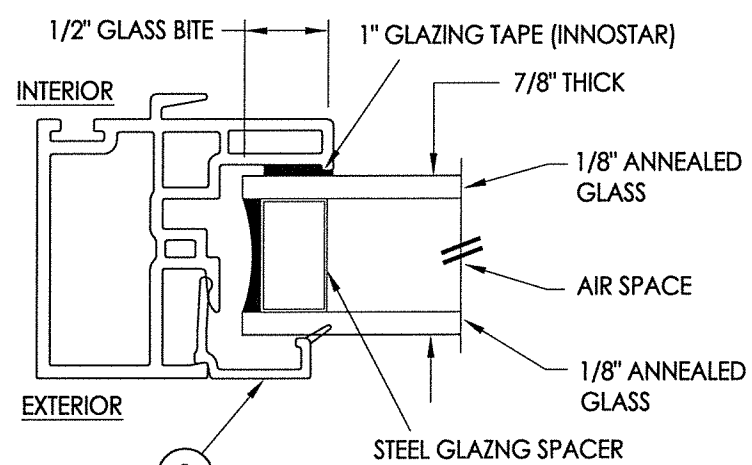
7 LOCK STILE



9 RAIL



12 ANTI-LIFT BLOCKS



G1 GLAZING DETAIL

30 SILL RISER

PRODUCT:	New South	
PART OR ASSEMBLY:	BILL OF MATERIALS. GLAZING DETAILS & COMPONENTS	
NO.	DATE	BY
REVISIONS		
DATE:	4/30/20	
SCALE:	N.T.S.	
DWG. BY:	RW	
CHK. BY:	LFS	
DRAWING NO.:	TX-5037	
SHEET	3 OF 3	