



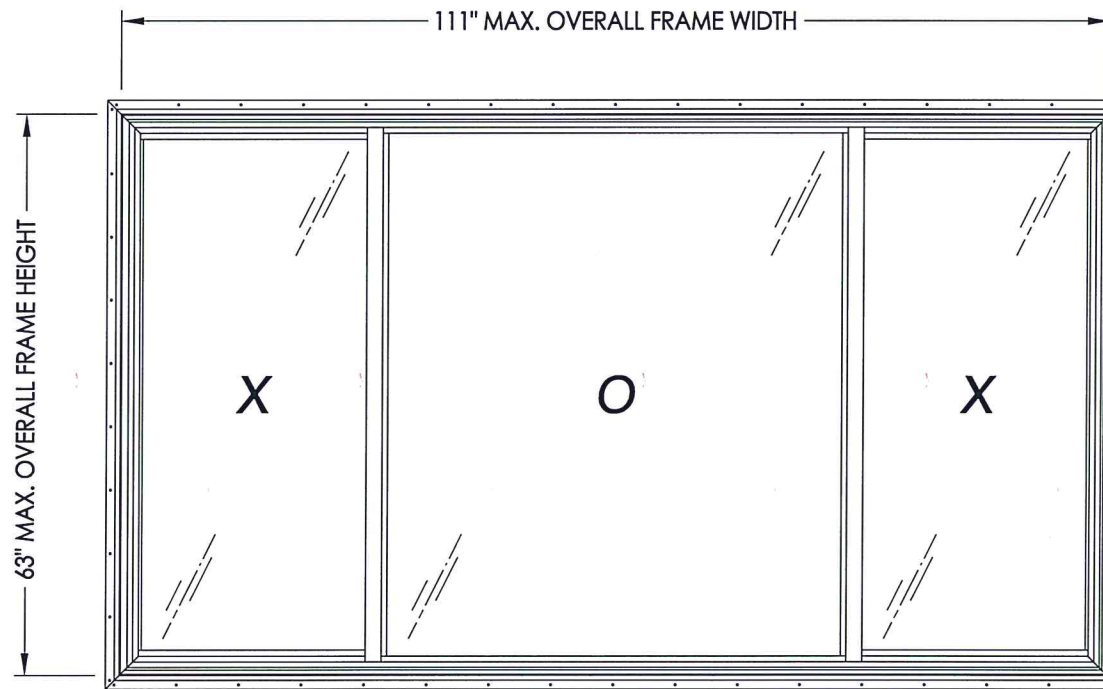
# 9550-3 Horizontal Sliding Window w/ Nailing Fin IMPACT RATED



Documents Prepared By: Lyndon F. Schmidt, P.E.  
TEXAS P.E. #104123

**RW** BUILDING CONSULTANTS, INC.  
P.O. Box 230 Valrico FL, 33595  
Phone No.: 813.659.9197

TEXAS BOARD OF PROFESSIONAL ENGINEERS  
CERTIFICATE OF REGISTRATION # F-11852



### EVALUATED FOR USE IN THE STATE OF TEXAS

The Horizontal Sliding Window described herein complies with the 2018 International Residential Code (IRC), Sections R301 & R609 and the 2018 International Building Code (IBC), Sections 1404.13, 1609, 1709.5, 2403 and 2404 subject to the following conditions:

1. Anchors shall be as listed and spaced as shown in the details. Anchor embedment to base material shall be beyond roof covering.
2. When used in areas requiring wind-borne debris protection, this product complies with Section R301.2.1.2 of the IRC and Section 1609.2 of the IBC and does not require impact protection. This product meets missile level "D" and includes Wind Zone 3 as defined in ASTM E 1996.
3. Allowable design pressure requirements must be equal to or less than the design pressure rating shown in the design pressure chart, sheet 1 of this drawing.
4. Conditions not covered by this drawing are subject to further engineering analysis.

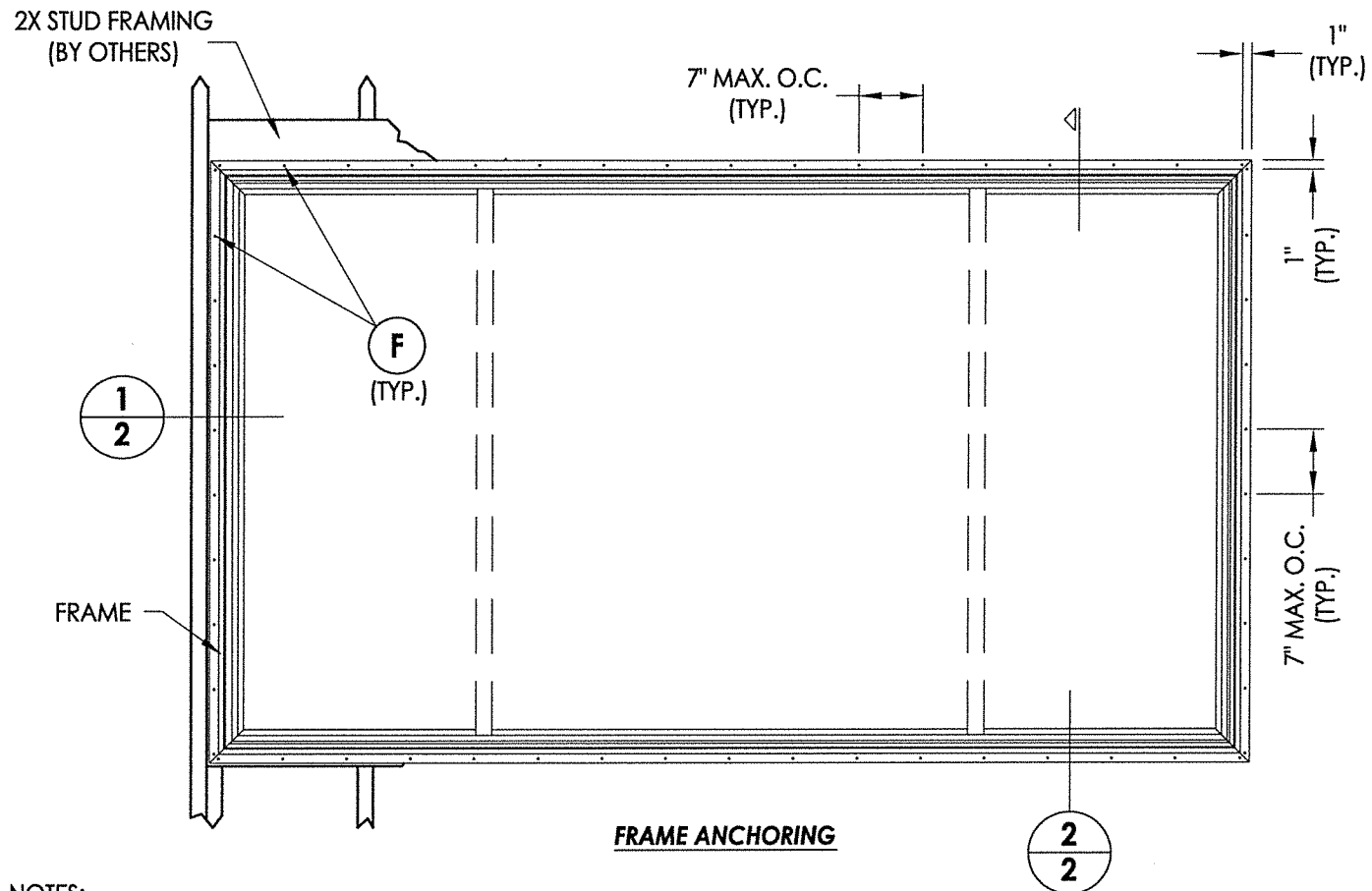
**TABLE OF CONTENTS**

SHEET #	DESCRIPTION
1	Typical elevations, design pressures & general notes
2	Vertical & horizontal cross sections & frame anchoring
3	Components
4	Bill of materials and glazing details

MAX. OVERALL FRAME DIMENSION	MAX DAY LITE DIMENSION (OPERABLE)	MAX DAY LITE DIMENSION (FIXED)	GLASS TYPE	DESIGN PRESSURE (PSF)	
				POS.	NEG.
111.0" X 63.0"	25.0" X 57.25"	51.0" X 58.5"	G1 (Fixed) G2 (Operable)	+45.0	-45.0

PRODUCT: NewSouth	
PART OR ASSEMBLY:	TYPICAL ELEVATION, DESIGN PRESSURES & GENERAL NOTES
NO.	DATE
REVISIONS	
DATE:	3/16/20
SCALE:	N.T.S.
DWG. BY:	RW
CHK. BY:	LFS
DRAWING NO.:	TX-5008
SHEET	1 OF 4

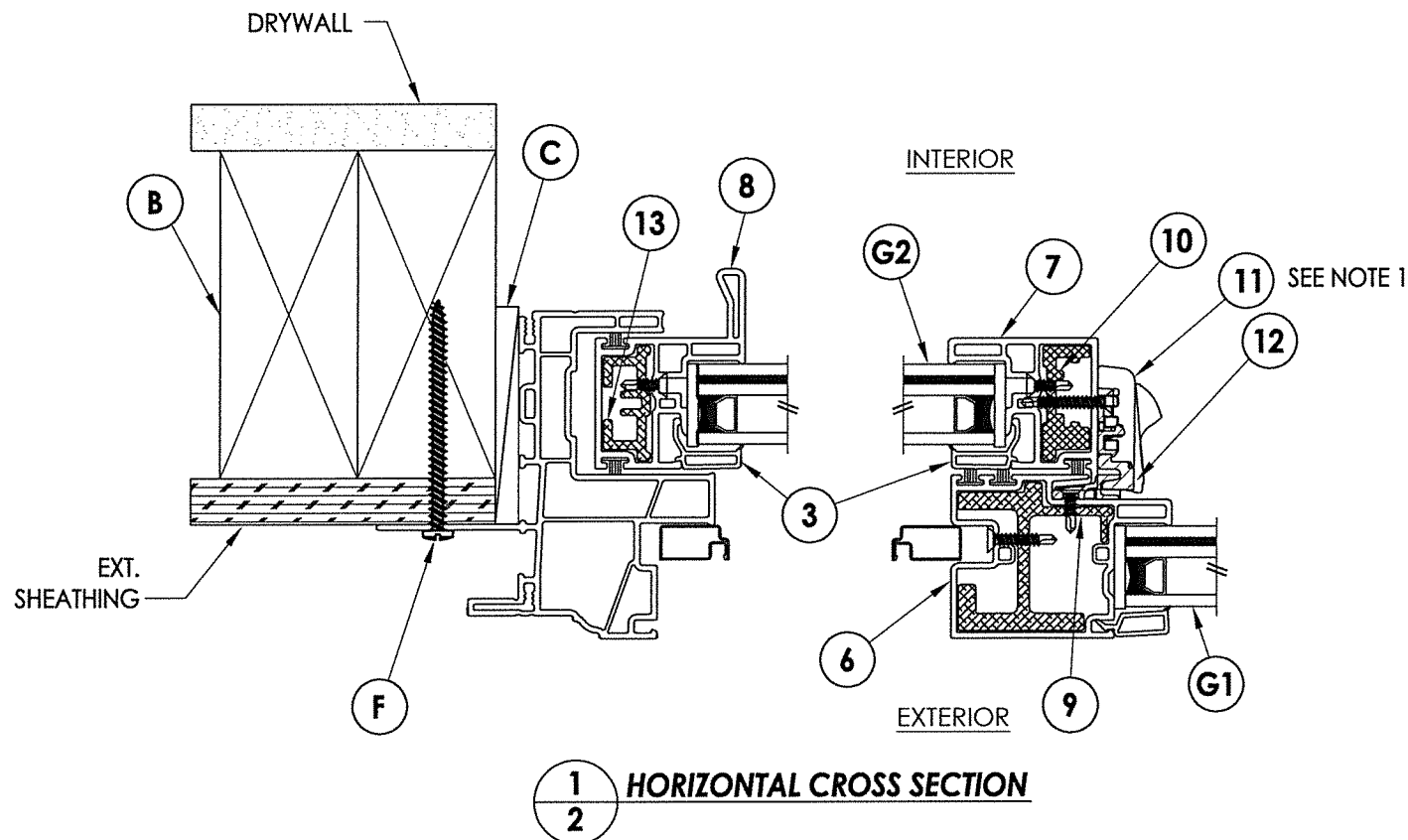
R:\Clients\New South Windows PERMANENT\B - Texas Dept of Ins\TDI - XXX 9550 HS\Drawings\TX-5008.dwg, 2.9



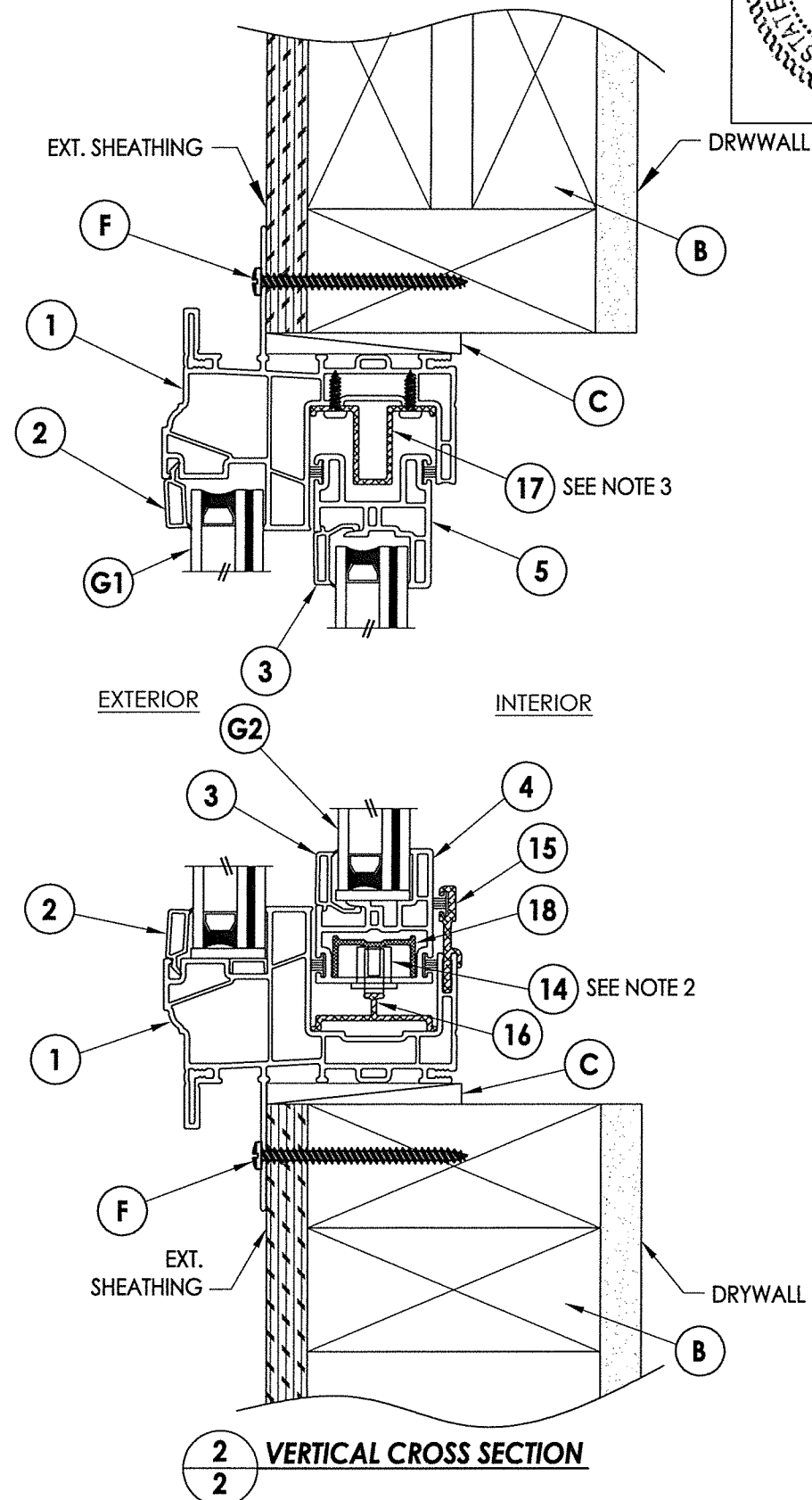
**FRAME ANCHORING**

**NOTES:**

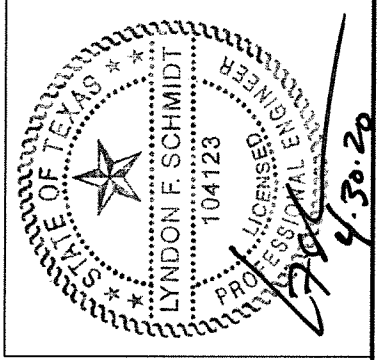
- 1. Lock and keeper located 7" from each end of lock/meeting stile.
- 2. Metal roller assembly located 2" from each end of the bottom rail.
- 3. Anti-lift secured to head with (6) #6 x 1/2" PPH SMS.



**1 HORIZONTAL CROSS SECTION**



**2 VERTICAL CROSS SECTION**



Documents Prepared By: Lyndon F. Schmidt, P.E.  
 TEXAS P.E. #104123

**RW** BUILDING CONSULTANTS, INC.  
 P.O. Box 230 Valrico FL, 33595  
 Phone No.: 813.659.9197

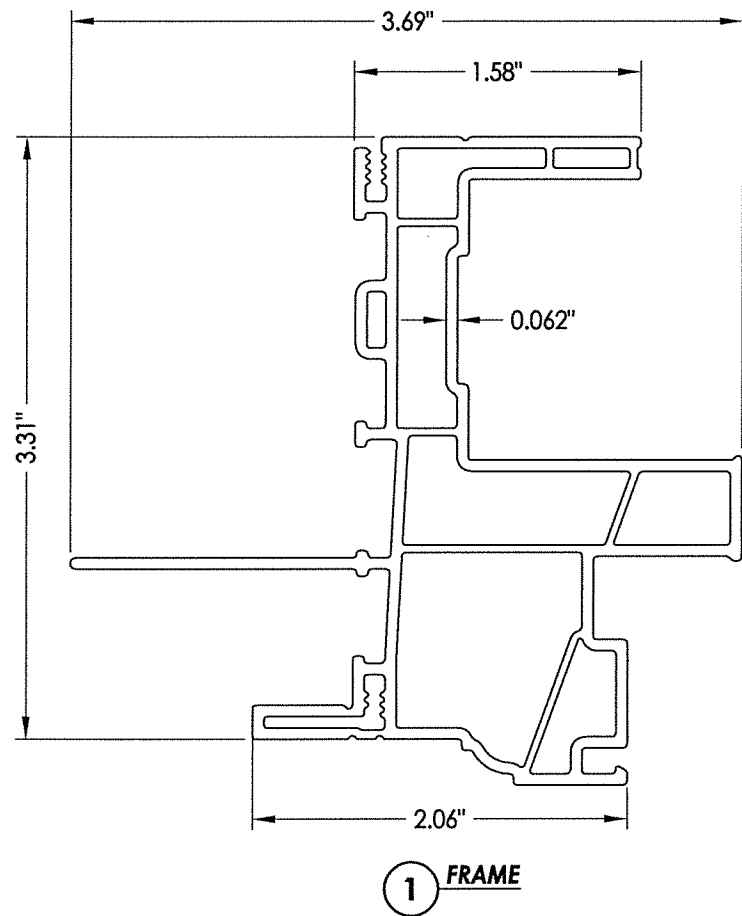
TEXAS BOARD OF PROFESSIONAL ENGINEERS  
 CERTIFICATE OF REGISTRATION # F-11852

PRODUCT: NewSouth

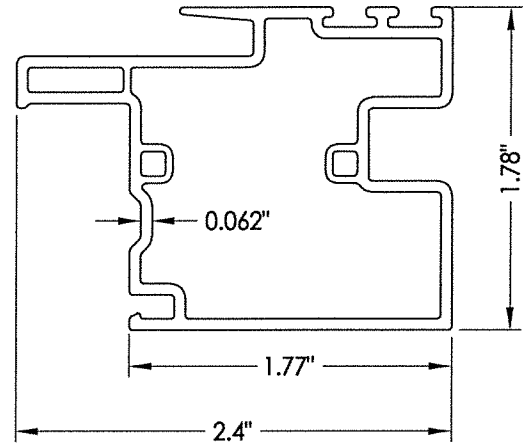
PART OR ASSEMBLY: VERTICAL & HORIZONTAL CROSS SECTIONS & FRAME ANCHORING

NO.	DATE	BY	REVISIONS

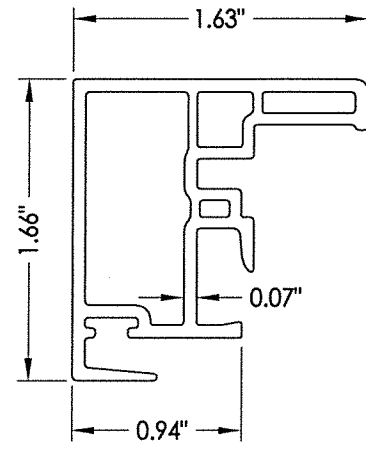
DATE: 3/16/20  
 SCALE: N.T.S.  
 DWG. BY: RW  
 CHK. BY: LFS  
 DRAWING NO.: TX-5008  
 SHEET 2 OF 4



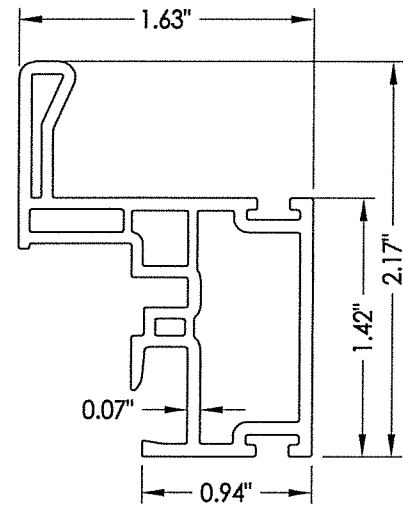
**1** FRAME



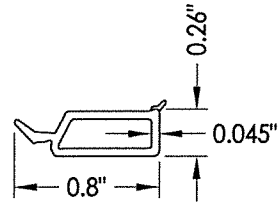
**6** MEETING STILE



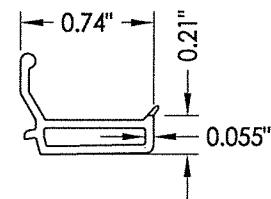
**7** LOCK STILE



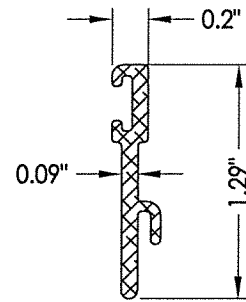
**8** HANDLE STILE



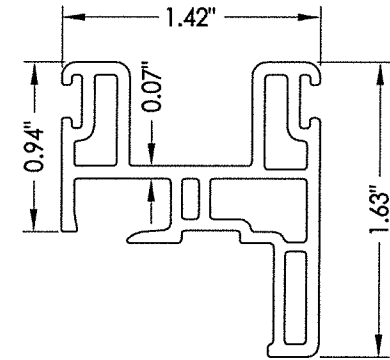
**2** GLAZING BEAD



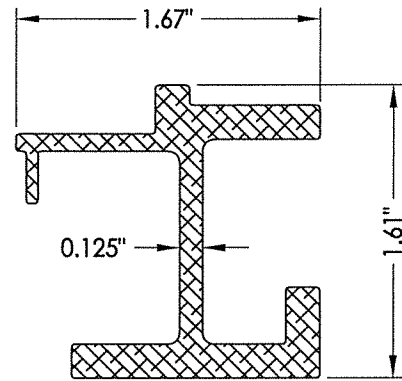
**3** GLAZING BEAD



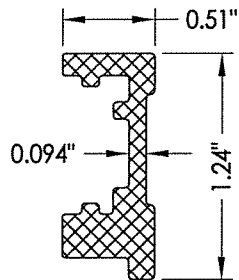
**15** SILL RISER



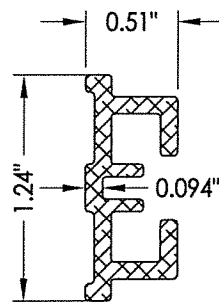
**5** TOP RAIL



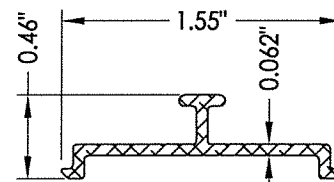
**9** MEETING STILE REINFORCEMENT



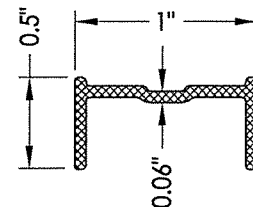
**10** LOCK STILE REINFORCEMENT



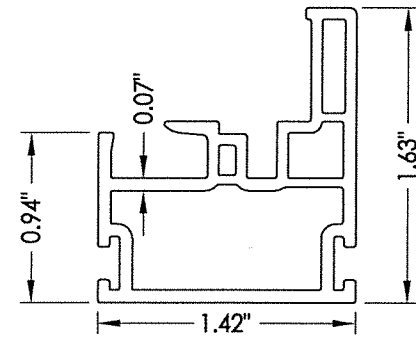
**13** HANDLE STILE REINFORCEMENT



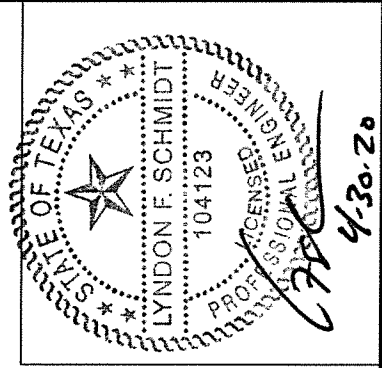
**16** ROLLER TRACK



**18** BOTTOM RAIL REINFORCEMENT



**4** BOTTOM RAIL



Documents Prepared By: Lyndon F. Schmidt, P.E.  
TEXAS P.E. #104123

RW BUILDING CONSULTANTS, INC.  
P.O. Box 230 Valrico FL 33595  
Phone No.: 813.659.9197

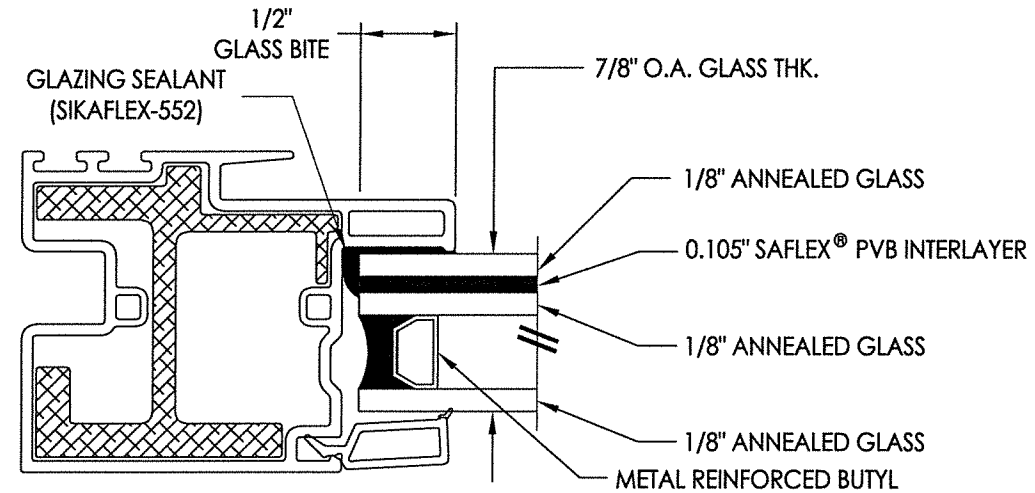
TEXAS BOARD OF PROFESSIONAL ENGINEERS  
CERTIFICATE OF REGISTRATION # F-11852

PRODUCT: NewSouth	
PART OR ASSEMBLY: COMPONENTS	
NO.	DATE
BY	REVISIONS
DATE: 3/16/20	
SCALE: N.T.S.	
DWG. BY: RW	
CHK. BY: LFS	
DRAWING NO.: TX-5008	
SHEET 3 OF 4	

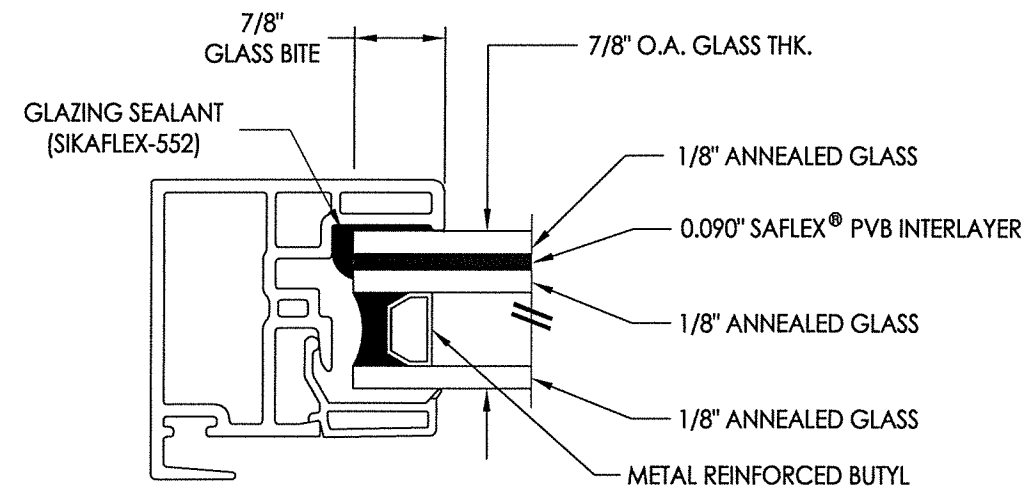
**BILL OF MATERIALS**

ITEM #	DESCRIPTION	MATERIAL
B	2X FRAMING (SG >= 0.42)	WOOD
C	1/4" MAX. SHIM SPACE	-
F	#10 X 2-1/2" PPH SMS (1-3/4" MIN. EMBEDMENT)	STEEL
1	EXTRUDED VINYL FRAME (437)*	RIGID PVC
2	EXTRUDED VINYL GLAZING BEAD (736A)*	RIGID PVC
3	EXTRUDED VINYL GLAZING BEAD (425A) *	RIGID PVC
4	BOTTOM RAIL (424B)*	RIGID PVC
5	TOP RAIL (478)*	RIGID PVC
6	MEETING STILE (477)*	RIGID PVC
7	LOCK STILE (476)*	RIGID PVC
8	HANDLE STILE (475B)*	RIGID PVC
9	MEETING STILE REINFORCEMENT	6063-T5 ALUM
10	LOCK STILE REINFORCEMENT	6063-T5 ALUM
11	SASH LOCK	-
12	KEEPER	-
13	HANDLE STILE REINFORCEMENT	6063-T5 ALUM
14	ROLLER (TRUTH #2433-1000)	-
15	SILL RISER	6063-T5 ALUM
16	ROLLER TRACK	6063-T5 ALUM
17	ANTI-LIFT ALUMINUM	6063-T5 ALUM
18	BOTTOM RAIL REINFORCEMENT	6063-T5 ALUM
20	WEATHERSTRIP (.187" X .290")	-

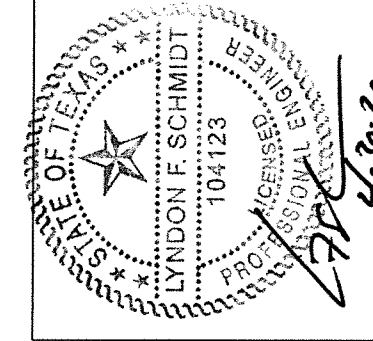
\* THE APPROVED WHITE RIGID PVC EXTERIOR EXTRUSIONS FOR WINDOWS ARE TO BE PRODUCED BY EXTRUDERS LICENSEES IN "CERTIFICATION PROGRAMS FOR RIGID PVC EXTRUSIONS".



**G1 GLAZING DETAIL**  
Fixed Life



**G2 GLAZING DETAIL**  
Operable Life



Documents Prepared By: Lyndon F. Schmidt, P.E.  
TEXAS P.E. #104123

**RW** BUILDING CONSULTANTS, INC.  
P.O. Box 230 Valrico FL 33595  
Phone No.: 813.659.9197

TEXAS BOARD OF PROFESSIONAL ENGINEERS  
CERTIFICATE OF REGISTRATION # F-11852

PRODUCT: NewSouth

PART OR ASSEMBLY: BILL OF MATERIALS AND GLAZING DETAILS

NO.	DATE	BY	REVISIONS

DATE: 3/16/20  
SCALE: N.T.S.  
DWG. BY: RW  
CHK. BY: LFS  
DRAWING NO.: TX-5008  
SHEET 4 OF 4