



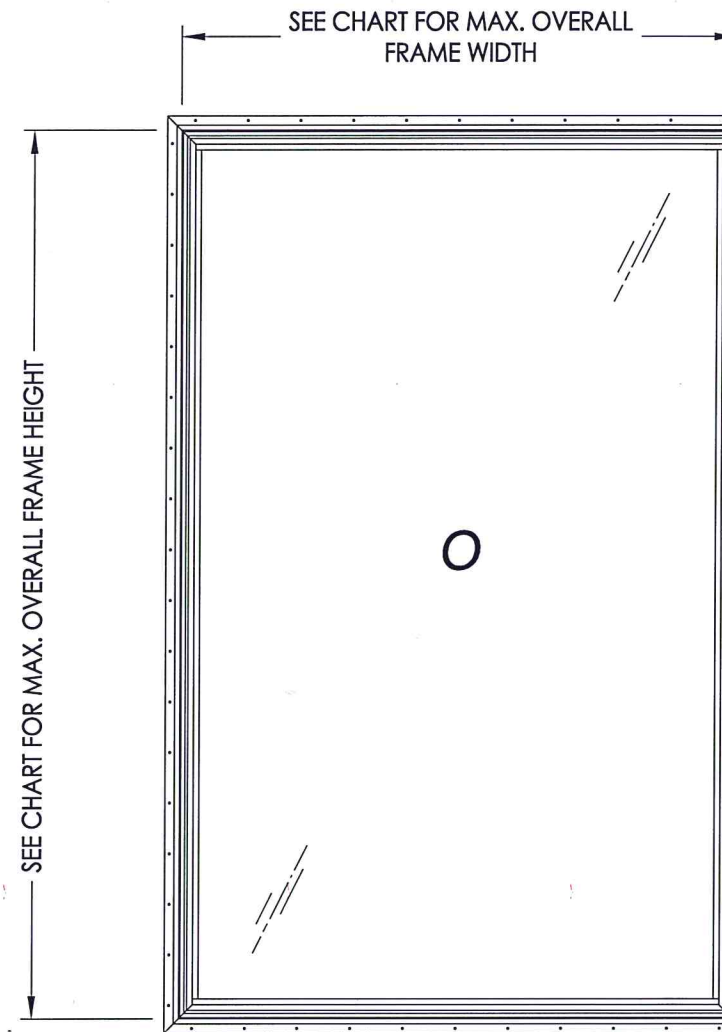
9600 Fixed Window w/ Nailing Fin "NON-IMPACT"

EVALUATED FOR USE IN THE STATE OF TEXAS

The Fixed Window described herein complies with the 2018 International Residential Code (IRC), Sections R301 & R609 and the 2018 International Building Code (IBC), Sections 1404.13, 1609, 1709.5, 2403 and 2404 subject to the following conditions:

1. Anchors shall be as listed and spaced as shown in the details. Anchor embedment to base material shall be beyond wall dressing or stucco.
2. When used in areas requiring wind-borne debris protection this product is required to be protected with an impact resistant covering that complies with Section R301.2.1.2 of the IRC and Section 1609.1.2 of the IBC.
3. Allowable design pressure requirements must be equal to or less than the design pressure rating shown in the design pressure chart, sheet 1 of this drawing.
4. Conditions not covered by this drawing are subject to further engineering analysis.

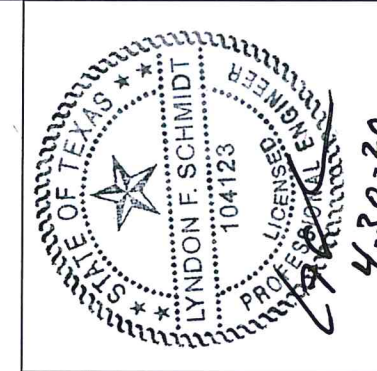
TABLE OF CONTENTS	
SHEET #	DESCRIPTION
1	Typical elevations, design pressures & general notes
2	Horizontal cross section & frame anchoring
3	Bill of materials, components & glazing details



60" x 96" Frame Shown

NOTE: VERTICAL ORIENTATION SHOWN (HORIZONTAL ORIENTATION ALSO APPROVED)

MAX. OVERALL FRAME DIMENSION	MAX DAY LITE DIMENSION	GLASS TYPE	DESIGN PRESSURE (PSF)	
			POS.	NEG.
48.0" X 48.0"	43.75" X 43.75"	G1	+100.0	-100.0
60.0" X 41.0"	55.75" X 36.75"	G1	+100.0	-100.0
72.0" X 72.0"	67.75" X 67.75"	G2	+85.0	-85.0
60.0" X 96.0"	55.75" X 91.75"	G3	+80.0	-80.0



4-30-20

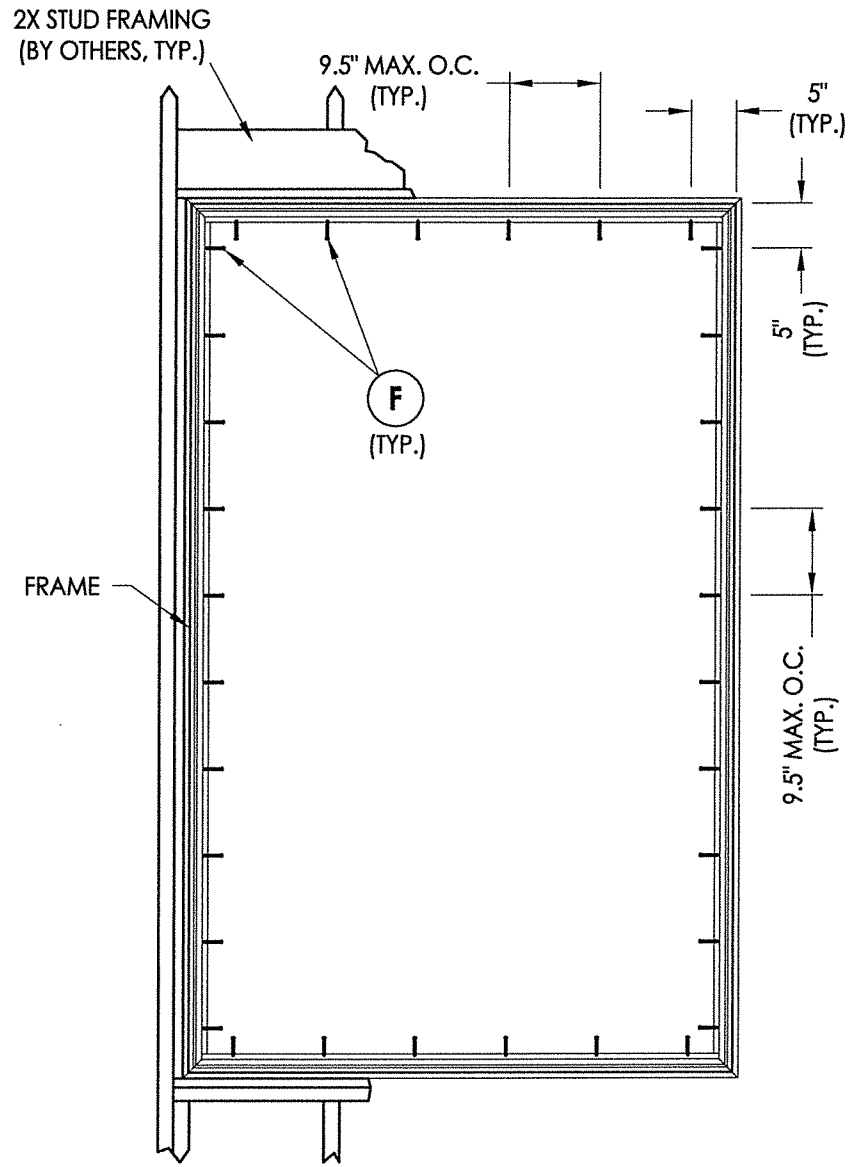
Documents Prepared By: Lyndon F. Schmidt, P.E.
TEXAS P.E. #104123

RW BUILDING CONSULTANTS, INC.
P.O. Box 230 Vairico FL 33595
Phone No.: 813.659.9197
TEXAS BOARD OF PROFESSIONAL ENGINEERS
CERTIFICATE OF REGISTRATION # F-11852

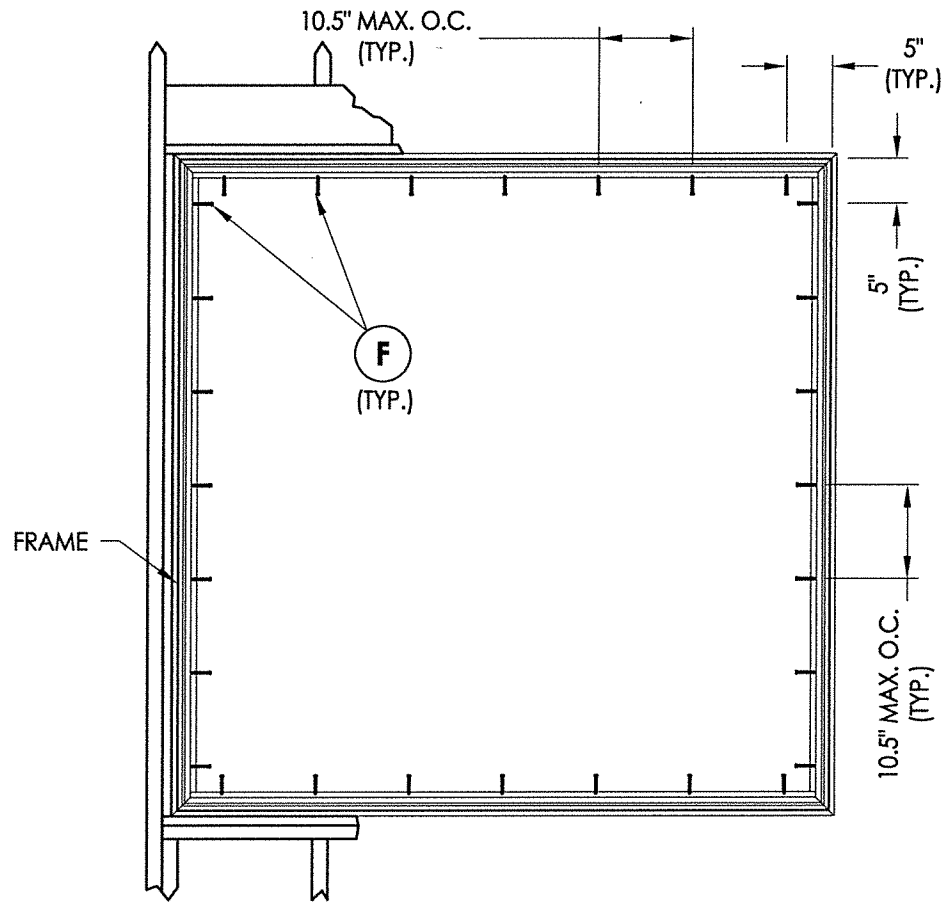
PRODUCT: NewSouth
PART OR ASSEMBLY: TYPICAL ELEVATION, DESIGN PRESSURES & GENERAL NOTES

NO.	DATE	BY	REVISIONS

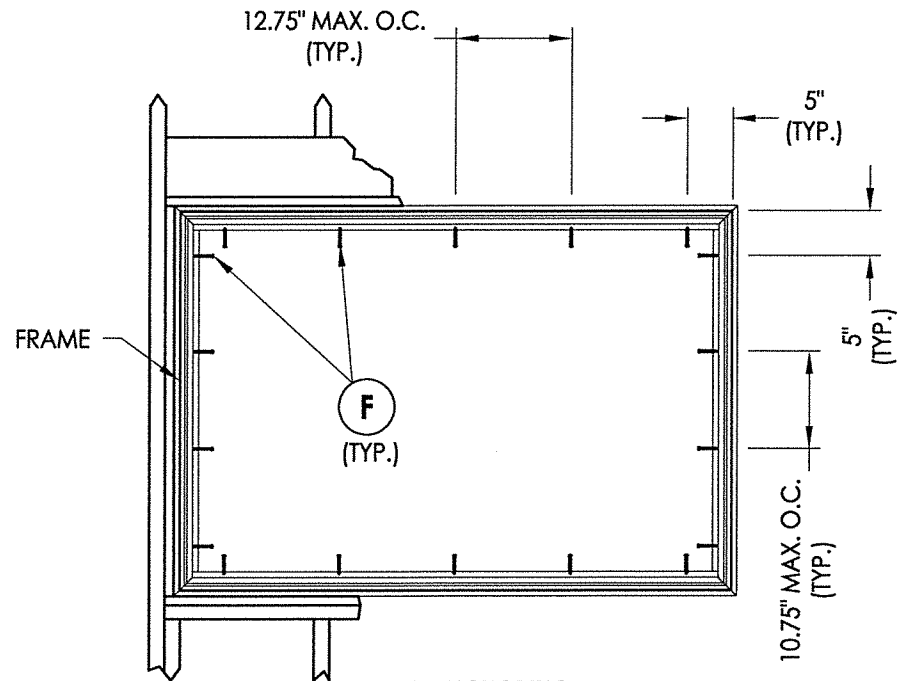
DATE: 3/10/20
SCALE: N.T.S.
DWG. BY: RW
CHK. BY: LFS
DRAWING NO.: TX-4996
SHEET 1 OF 3



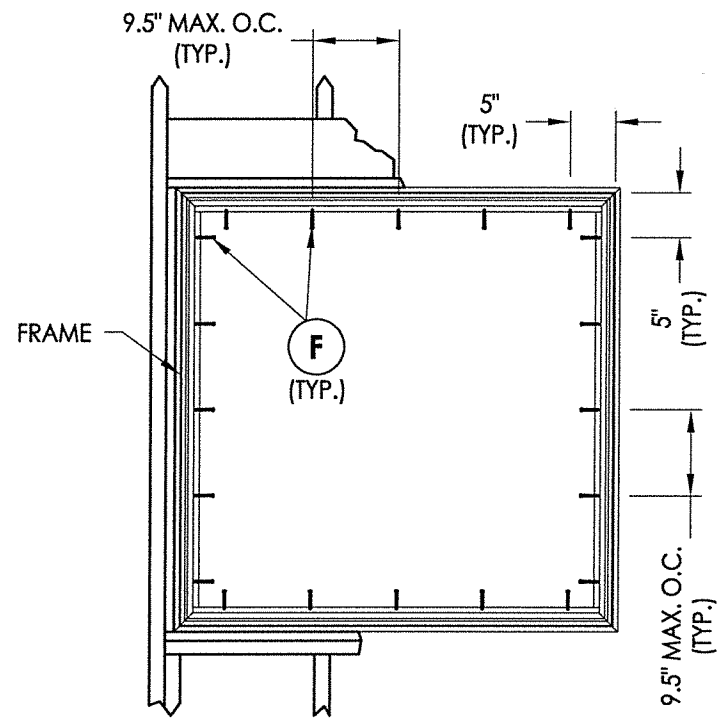
FRAME ANCHORING
60" X 96" MAX. FRAME SIZE



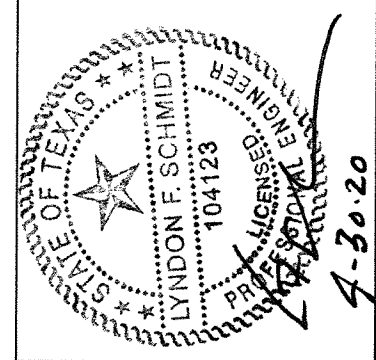
FRAME ANCHORING
72" X 72" MAX. FRAME SIZE



FRAME ANCHORING
60" X 41" MAX. FRAME SIZE



FRAME ANCHORING
48" X 48" MAX. FRAME SIZE



Documents Prepared By: Lyndon F. Schmidt, P.E.
TEXAS P.E. #104123

RW BUILDING CONSULTANTS, INC.
P.O. Box 230 Vairico FL, 33595
Phone No.: 813.659.9197

TEXAS BOARD OF PROFESSIONAL ENGINEERS
CERTIFICATE OF REGISTRATION # F-11852

PRODUCT: NewSouth	
PART OR ASSEMBLY: FRAME ANCHORING	
NO.	DATE
BY	REVISIONS
DATE: 3/10/20	
SCALE: N.T.S.	
DWG. BY: RW	
CHK. BY: LFS	
DRAWING NO.: TX-4997	
SHEET 3 OF 4	

