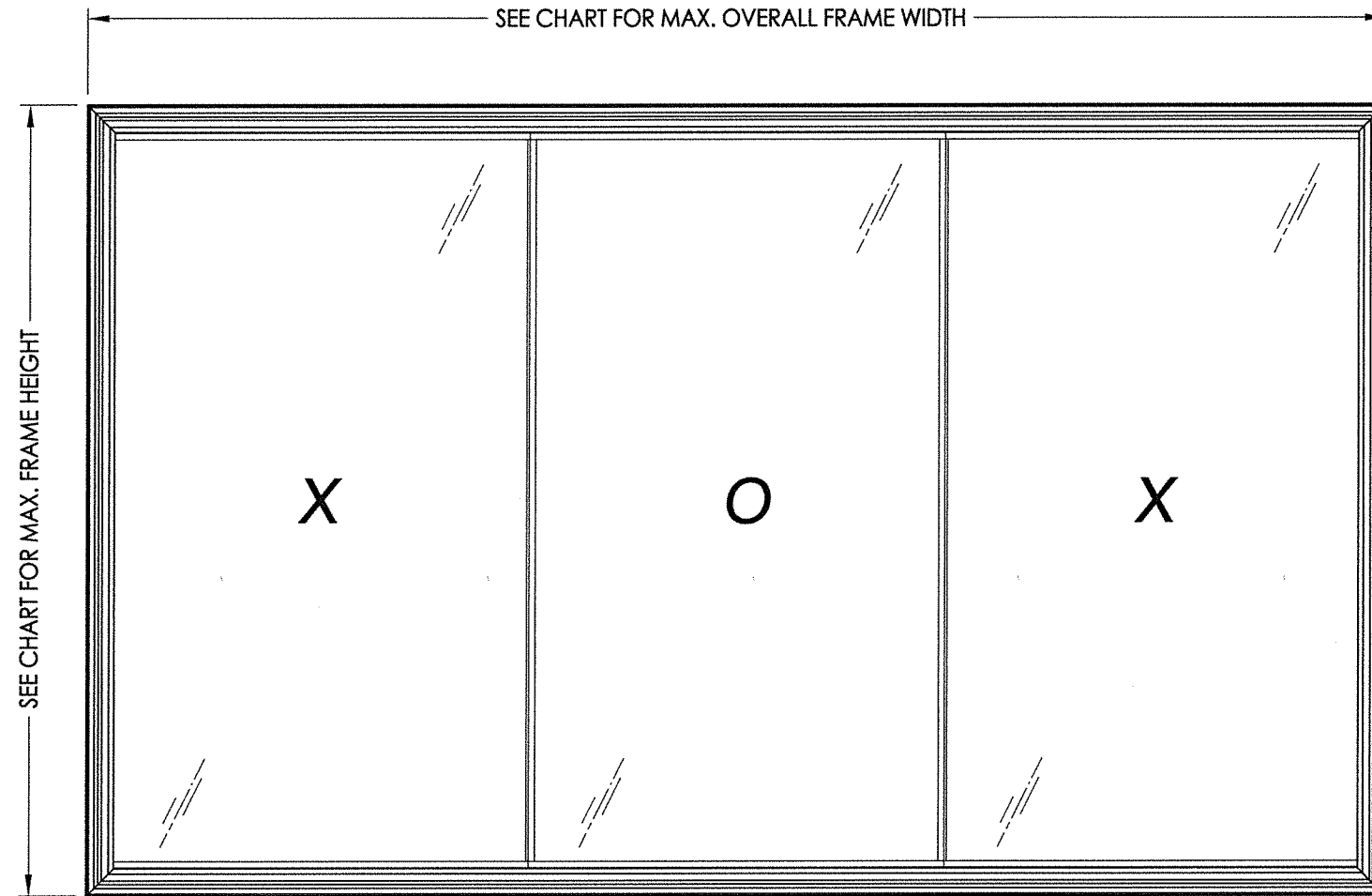


"Restorations" Series Horizontal Sliding Window "NON-IMPACT"



EVALUATED FOR USE IN THE STATE OF TEXAS

The Horizontal Sliding Window described herein complies with the 2018 International Residential Code (IRC), Sections R301 & R609 and the 2018 International Building Code (IBC), Sections 1404.13, 1609, 1709.5, 2403 and 2404 subject to the following conditions:

1. Anchors shall be as listed and spaced as shown in the details. Anchor embedment to base material shall be beyond roof covering.
2. When used in areas requiring wind-borne debris protection this product is required to be protected with an impact resistant covering that complies with Section R301.2.1.2 of the IRC and Section 1609.2 of the IBC.
3. Allowable design pressure requirements must be equal to or less than the design pressure rating shown in the design pressure chart, sheet 1 of this drawing.
4. Conditions not covered by this drawing are subject to further engineering analysis.

TABLE OF CONTENTS	
SHEET #	DESCRIPTION
1	Typical Elevations, Design Pressures & General Notes
2	Frame Anchoring & Cross Sections
3	Components
4	Bill of Materials & Glazing Details

MAX. OVERALL FRAME DIMENSION	MAX. DAY LITE DIMENSION	GLASS TYPE	DESIGN PRESSURE (PSF)	
			POS.	NEG.
108.0" X 65.0"	33.25" X 58.63"	G1	+25.0	-25.0
96.0" X 56.0"	29.38" X 49.63"	G2	+30.0	-35.0
81.0" X 45.0"	24.25" X 38.38"	G2	+40.0	-45.0

Documents Prepared By: Lyndon F. Schmidt, P.E.
TEXAS P.E. #104123

RW BUILDING CONSULTANTS, INC.
P.O. Box 230 Valrico FL 33595
Phone No.: 813.659.9197

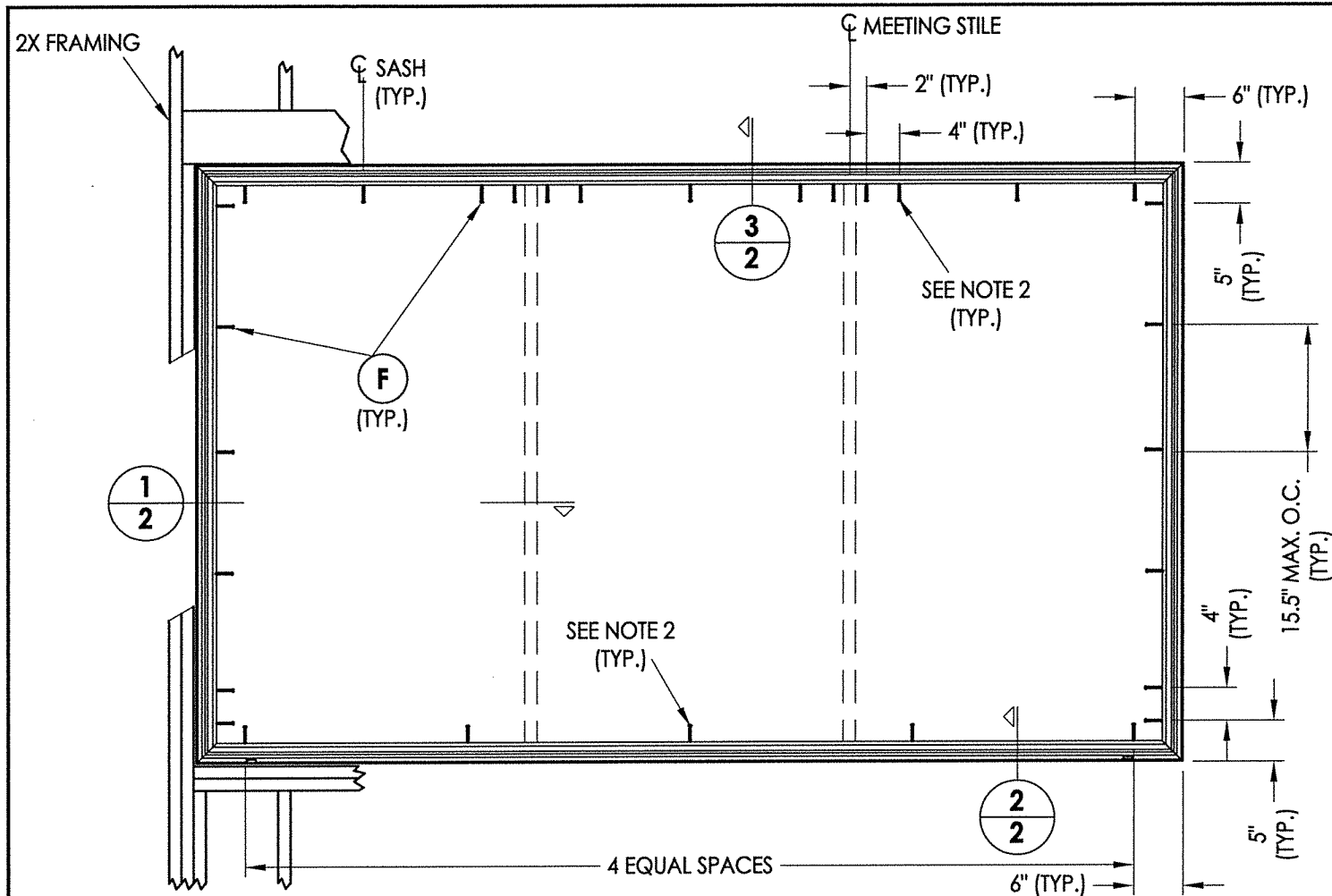
TEXAS BOARD OF PROFESSIONAL ENGINEERS
CERTIFICATE OF REGISTRATION # F-11852

PRODUCT: HORIZONTAL SLIDING WINDOW

PART OR ASSEMBLY: TYPICAL ELEVATION, DESIGN PRESSURES & GENERAL NOTES

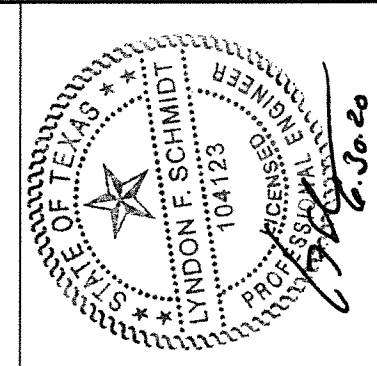
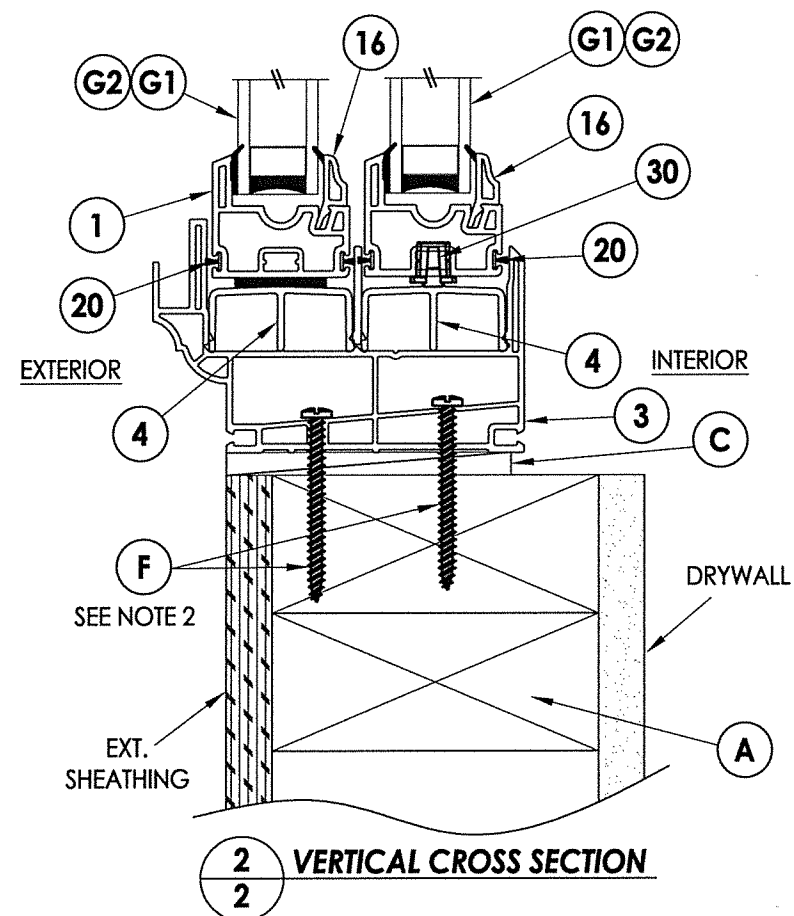
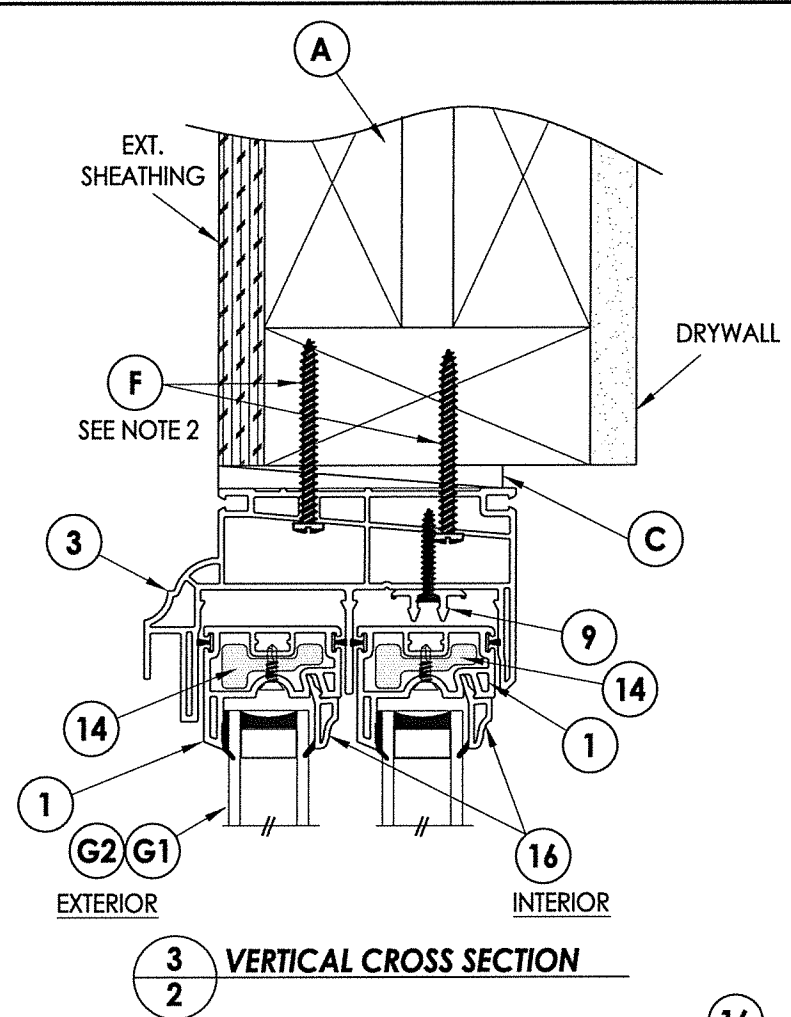
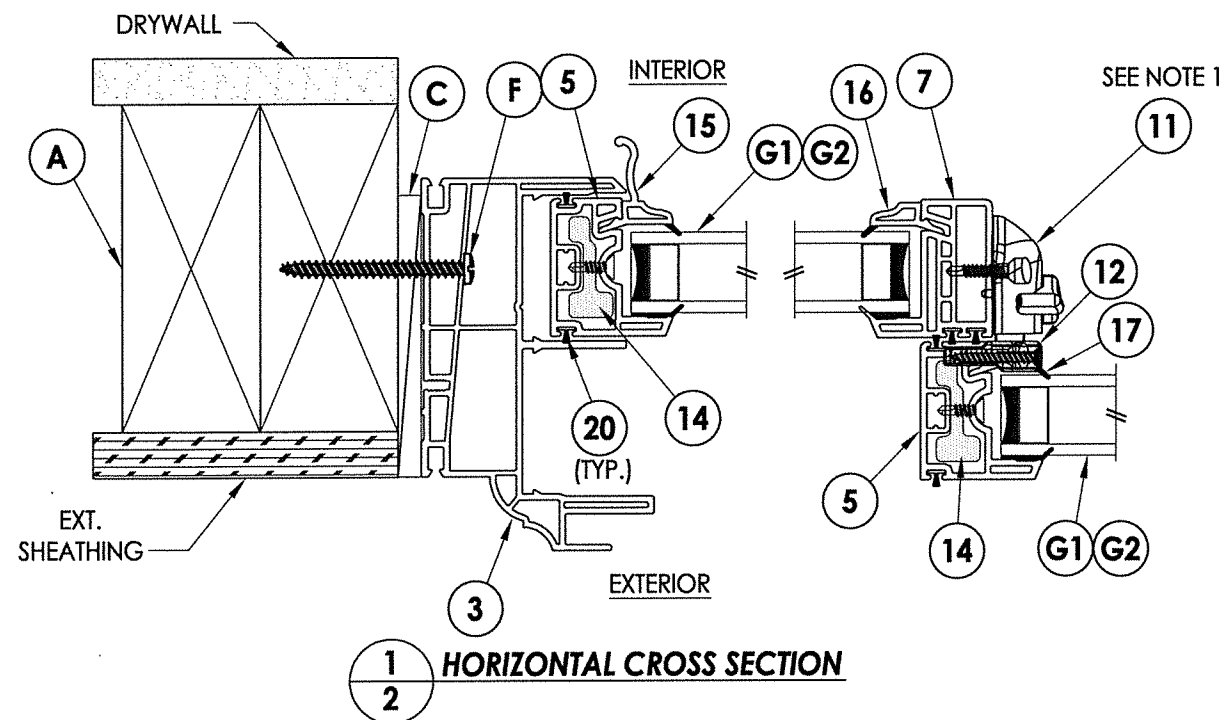
NO.	DATE	BY	REVISIONS

DATE: 5/06/20
SCALE: N.T.S.
DWG. BY: TRJ
CHK. BY: LFS
DRAWING NO.: TX-5057
SHEET 1 OF 4



NOTES:

- 1. Lock and keeper located 11" from each end of lock/meeting stile.
- 2. Frame anchors along the head and sill are located in the sash track where they are hidden when the sashes are closed.



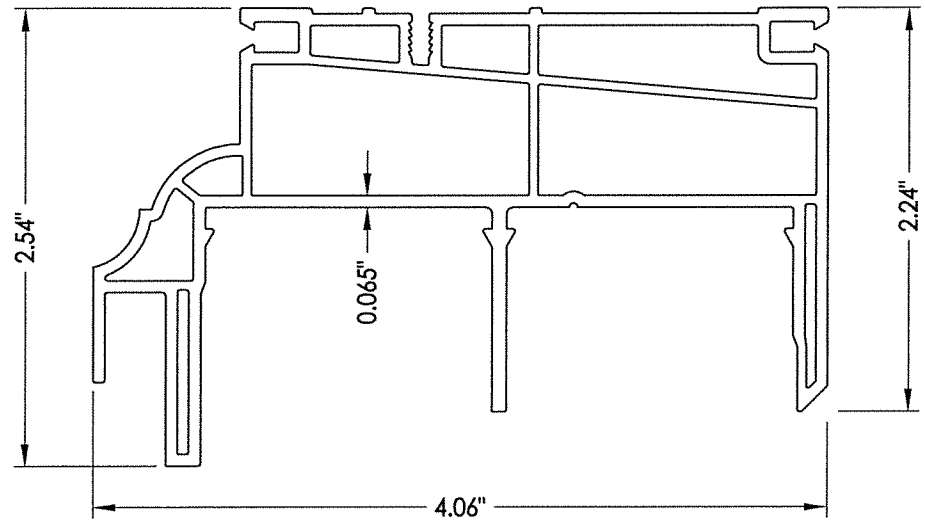
Documents Prepared By: Lyndon F. Schmidt, P.E.
 TEXAS P.E. #104123

RW BUILDING CONSULTANTS, INC.
 P.O. Box 230 Valrico FL 33595
 Phone No.: 813.659.9197
 TEXAS BOARD OF PROFESSIONAL ENGINEERS
 CERTIFICATE OF REGISTRATION # F-11852

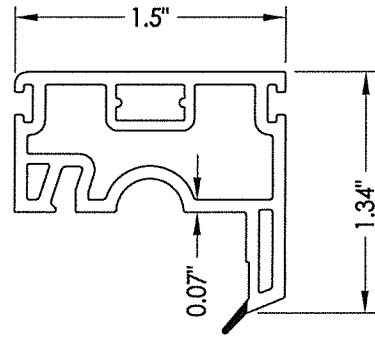
PRODUCT: HORIZONTAL SLIDING WINDOW
 PART OR ASSEMBLY: FRAME ANCHORING & CROSS SECTIONS

NO.	DATE	BY	REVISIONS

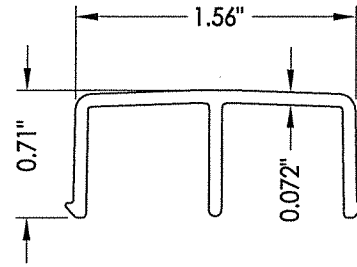
DATE: 5/06/20
 SCALE: N.T.S.
 DWG. BY: TRJ
 CHK. BY: LFS
 DRAWING NO.: TX-5057
 SHEET 2 OF 4



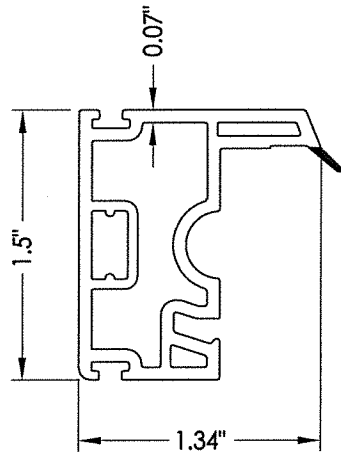
3 FRAME



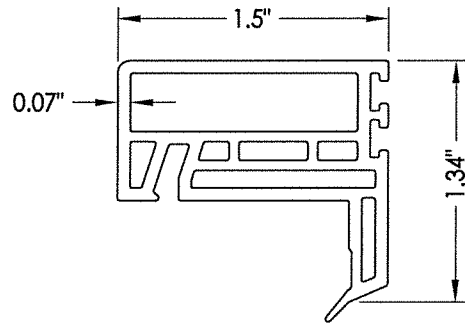
1 TOP/ BOTTOM RAIL



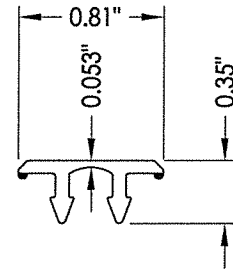
4 SILL TRACK



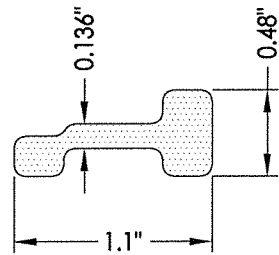
5 STILE



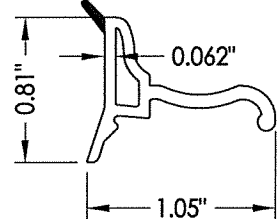
7 LOCK STILE



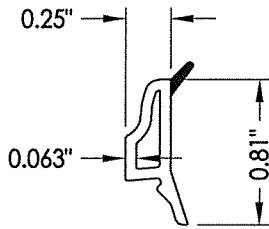
9 SASH LIFT LOCK



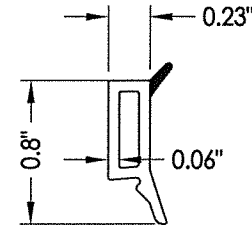
14 STILE/RAIL REINFORCEMENT



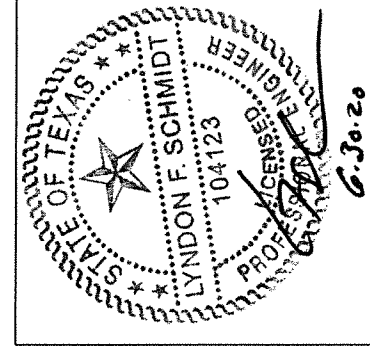
15 PULL STILE GLAZING BEAD



16 CONTOURED GLAZING BEAD



17 MTG. STILE GLAZING BEAD



Documents Prepared By: Lyndon F. Schmidt, P.E.
TEXAS P.E. #104123

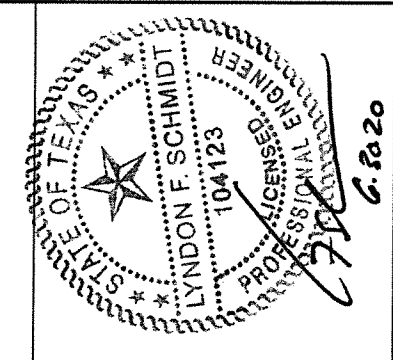
RW BUILDING CONSULTANTS, INC.
P.O. Box 230 Valrico FL 33595
Phone No.: 813.659.9197
TEXAS BOARD OF PROFESSIONAL ENGINEERS
CERTIFICATE OF REGISTRATION # F-11852

PRODUCT:	HORIZONTAL SLIDING WINDOW	
PART OR ASSEMBLY:	COMPONENTS	
NO.	DATE	BY
DATE:	5/06/20	
SCALE:	N.T.S.	
DWG. BY:	TRJ	
CHK. BY:	LFS	
DRAWING NO.:	TX-5057	
SHEET	3	OF 4

BILL OF MATERIALS

ITEM #	DESCRIPTION	MATERIAL
A	2X FRAMING (SG >= 0.42)	WOOD
C	1/4" MAX. SHIM SPACE	-
F	#10 X 2" PPH SMS (1-1/4" MIN. EMBEDMENT)	STEEL
1	TOP RAIL/BOTTOM RAIL*	RIGID PVC
3	FRAME*	RIGID PVC
4	SILL TRACK*	RIGID PVC
5	STILE*	RIGID PVC
7	LOCK STILE*	RIGID PVC
9	SASH LIFT LOCK*	RIGID PVC
11	SASH LOCK	-
12	KEEPER	-
14	STILE/RAIL REINFORCEMENT	COMP
15	PULL STILE GLAZING BEAD*	RIGID PVC
16	CONTOURED GLAZING BEAD*	RIGID PVC
17	MEETING STILE GLAZING BEAD*	RIGID PVC
20	WEATHERSTRIP	-
30	ROLLER ASSY.	-

* THE APPROVED WHITE RIGID PVC EXTERIOR EXTRUSIONS FOR WINDOWS ARE TO BE PRODUCED BY EXTRUDERS LICENSEES IN "CERTIFICATION PROGRAMS FOR RIGID PVC EXTRUSIONS".



Documents Prepared By: Lyndon F. Schmidt, P.E.
TEXAS P.E. #104123

R.W. BUILDING CONSULTANTS, INC.
P.O. Box 230 Valrico FL, 33595
Phone No.: 813.659.9197
TEXAS BOARD OF PROFESSIONAL ENGINEERS
CERTIFICATE OF REGISTRATION # F-11852

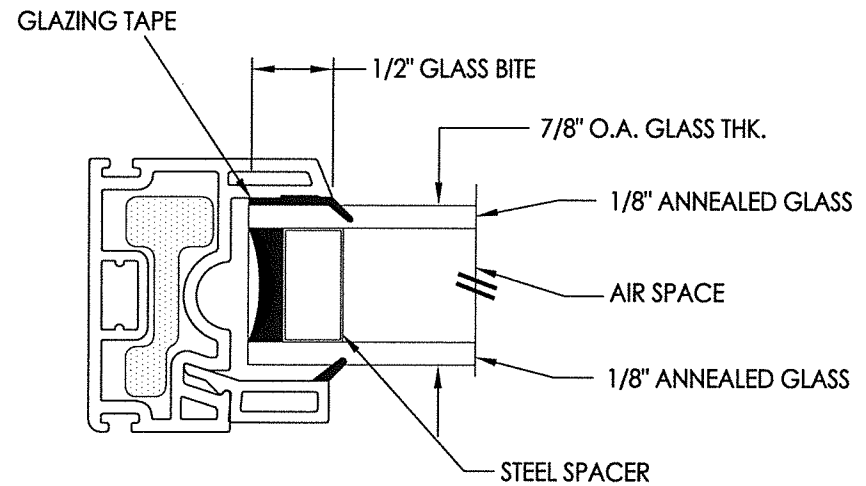
PRODUCT: HORIZONTAL SLIDING WINDOW

PART OR ASSEMBLY: BILL OF MATERIALS & GLAZING DETAILS

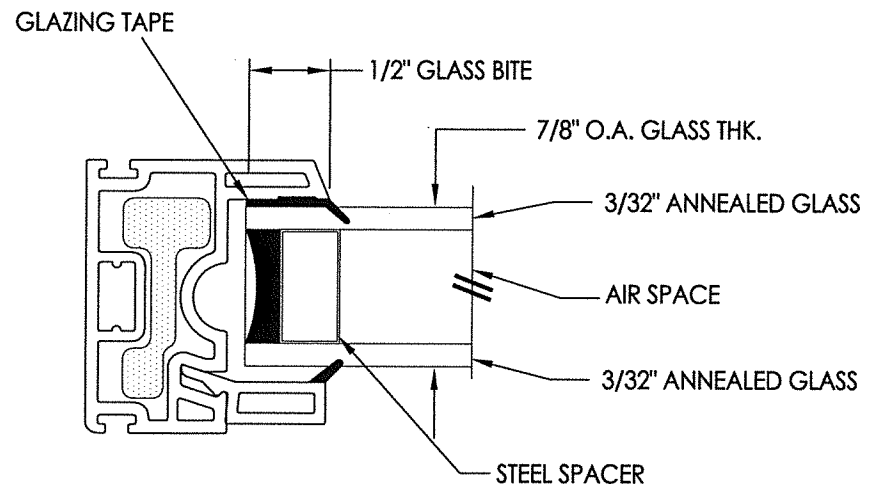
NO.	DATE	BY

REVISIONS

DATE: 5/06/20
SCALE: N.T.S.
DWG. BY: TRJ
CHK. BY: LFS
DRAWING NO.: TX-5057
SHEET 4 OF 4



G1 GLAZING DETAIL



G2 GLAZING DETAIL