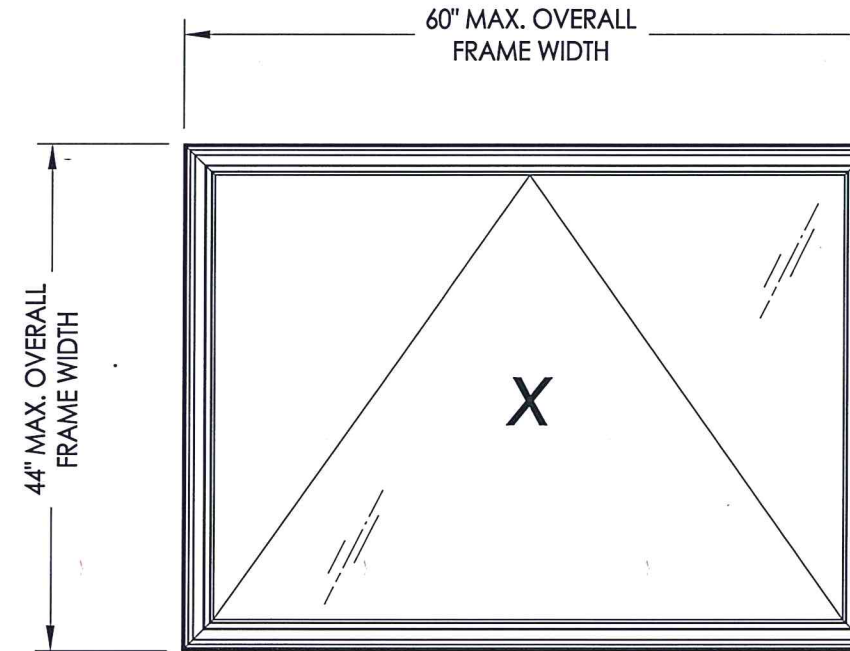




# "Sunrise" Series Awning Window "NON-IMPACT"



### EVALUATED FOR USE IN THE STATE OF TEXAS

The Awning Window described herein complies with the 2018 International Residential Code (IRC), Sections R301 & R609 and the 2018 International Building Code (IBC), Sections 1404.13, 1609, 1709.5, 2403 and 2404 subject to the following conditions:

1. Anchors shall be as listed and spaced as shown in the details. Anchor embedment to base material shall be beyond roof covering.
2. When used in areas requiring wind-borne debris protection this product is required to be protected with an impact resistant covering that complies with Section R301.2.1.2 of the IRC and Section 1609.2 of the IBC.
3. Allowable design pressure requirements must be equal to or less than the design pressure rating shown in the design pressure chart, sheet 1 of this drawing.
4. Conditions not covered by this drawing are subject to further engineering analysis.

TABLE OF CONTENTS	
SHEET #	DESCRIPTION
1	Typical Elevations, Design Pressures & General Notes
2	Frame Anchoring & Cross Section
3	Bill of Materials, Components & Glazing Details

OVERALL FRAME DIMENSION	OVERALL DAY LIGHT DIMENSION	GLASS TYPE	DESIGN PRESSURE (PSF)	
			POS.	NEG.
60.0" X 44.0"	54.5" X 38.5"	G1	+30.0	-30.0
48.0" X 32.0"	42.5" X 26.5"	G2	+55.0	-55.0



Documents Prepared By: Lyndon F. Schmidt, P.E.  
TEXAS P.E. #104123

**RW** BUILDING CONSULTANTS, INC.  
P.O. Box 230 Vairico FL 33595  
Phone No.: 813.659.9197

TEXAS BOARD OF PROFESSIONAL ENGINEERS  
CERTIFICATE OF REGISTRATION # F-11852

PRODUCT: AWNING WINDOW

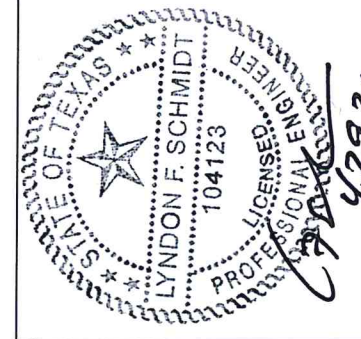
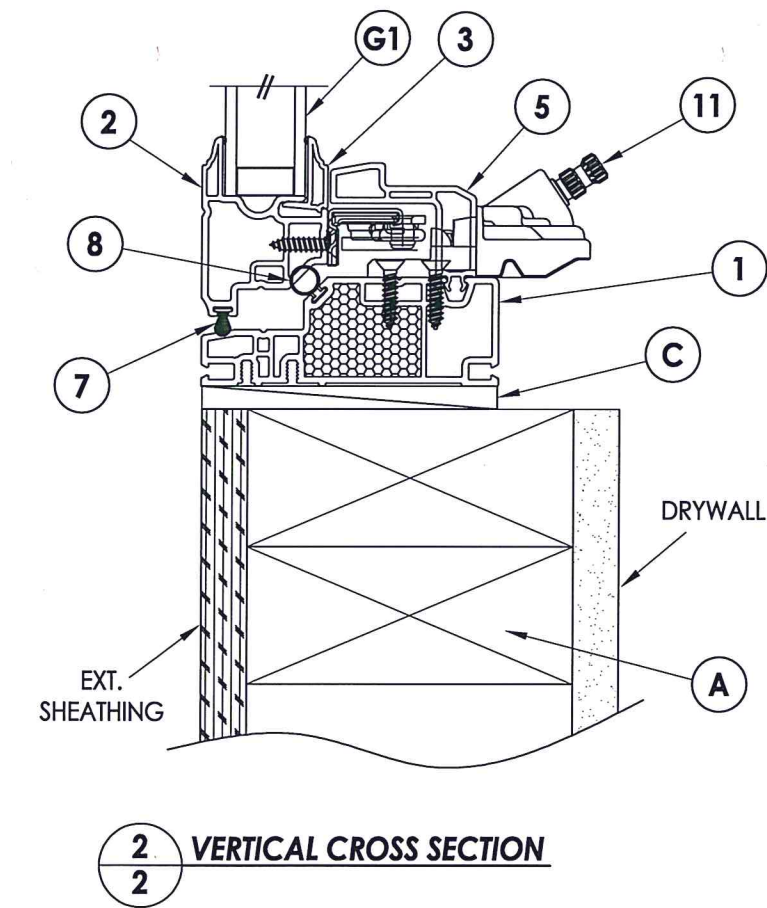
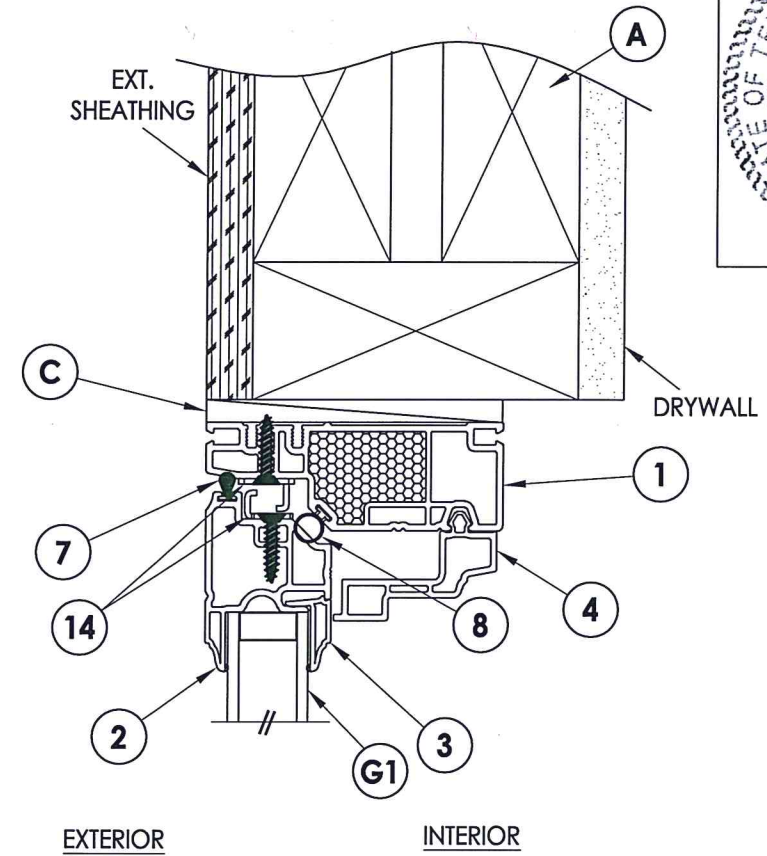
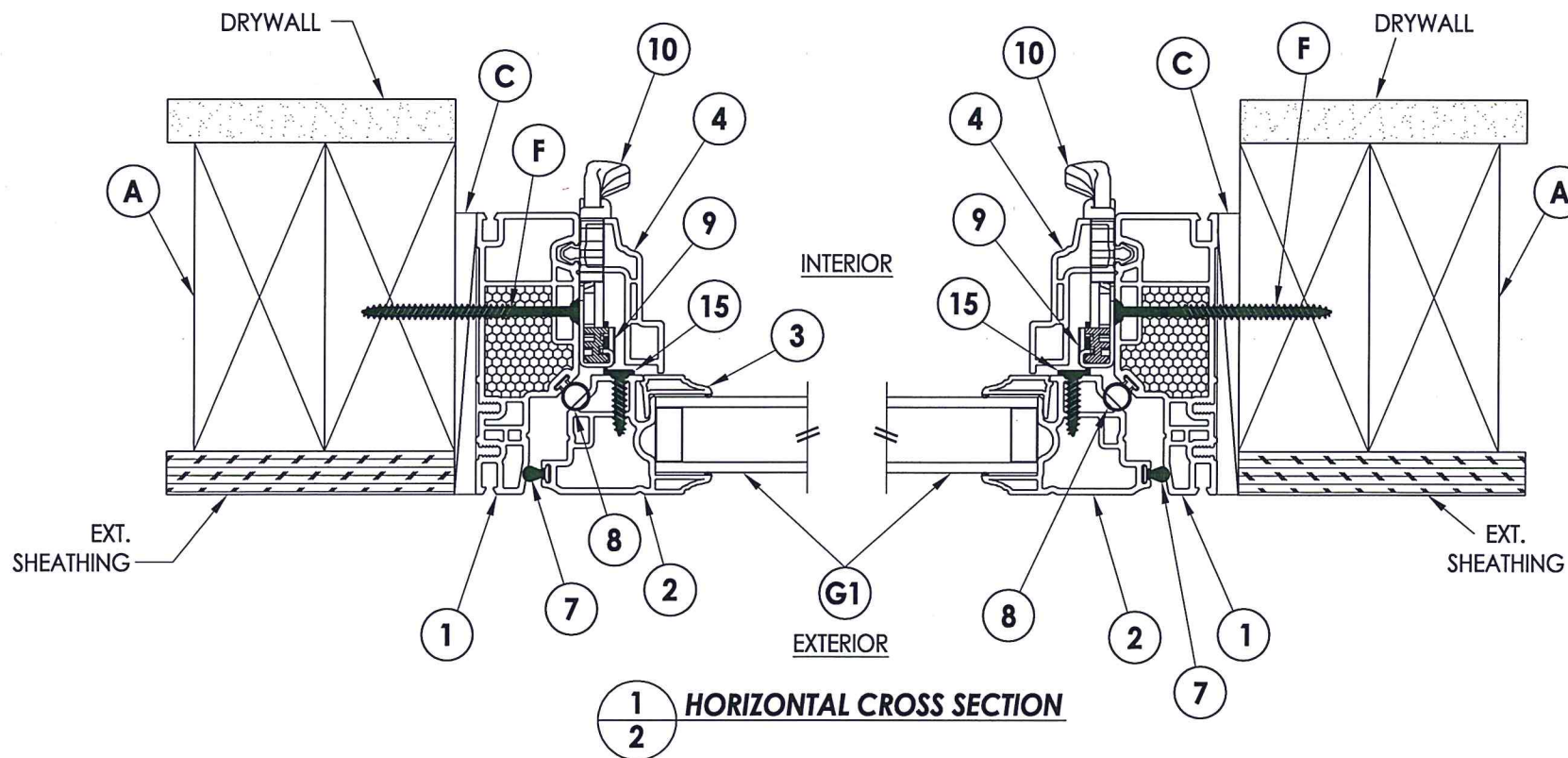
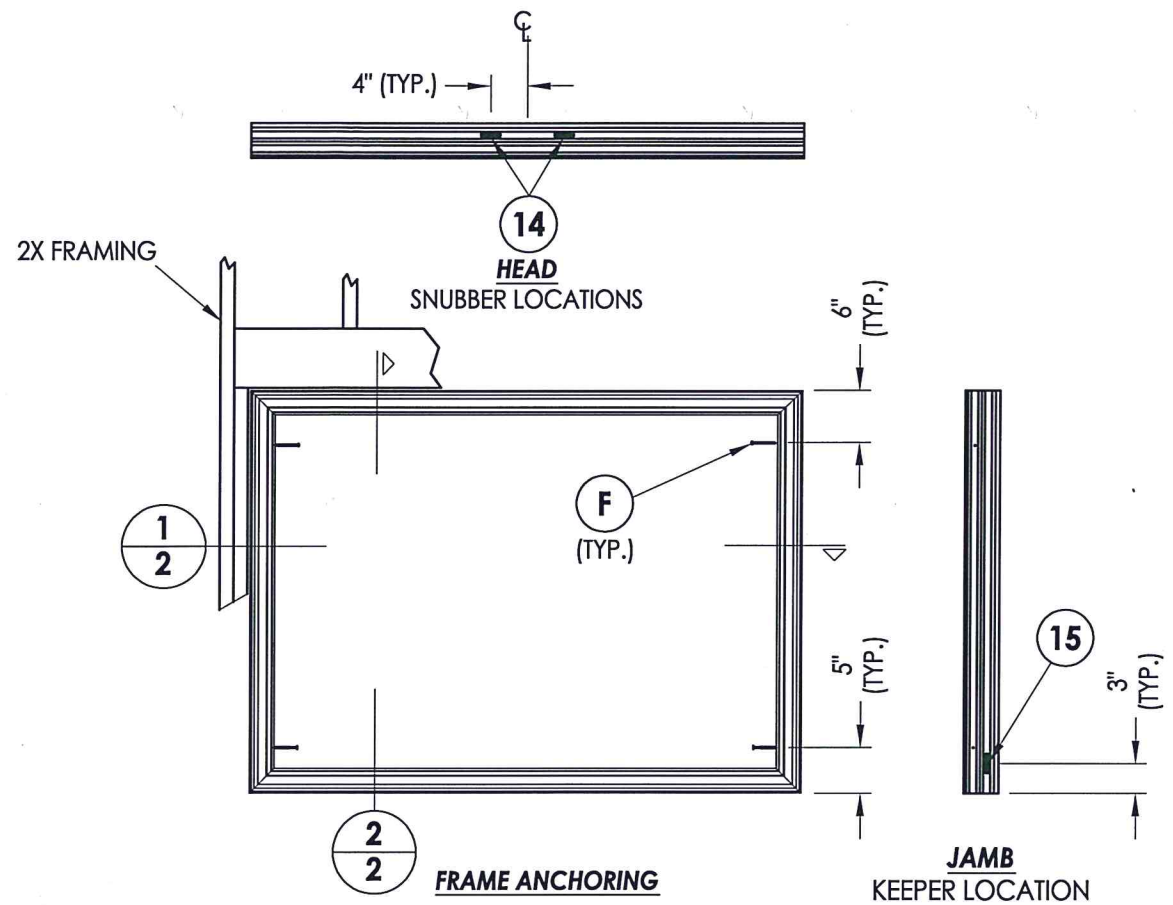
PART OR ASSEMBLY: TYPICAL ELEVATION, DESIGN PRESSURES & GENERAL NOTES

NO.	DATE	BY	REVISIONS

DATE: 4/29/20  
SCALE: N.T.S.  
DWG. BY: TRJ  
CHK. BY: LFS  
DRAWING NO.: TX-5025  
SHEET 1 OF 3



R:\Clients\Sunrise Windows\B - Texas Dept of Ins\TDI - XXX Awning Sunrise Series\C - Drawings\TX-5025.dwg, 2



Documents Prepared By: Lyndon F. Schmidt, P.E.  
TEXAS P.E. #104123

**RW** BUILDING CONSULTANTS, INC.  
P.O. Box 230 Vairico FL. 33595  
Phone No.: 813.659.9197

TEXAS BOARD OF PROFESSIONAL ENGINEERS  
CERTIFICATE OF REGISTRATION # F-11852

PRODUCT: AWNING WINDOW

PART OR ASSEMBLY: FRAME ANCHORING & CROSS SECTION

NO.	DATE	BY

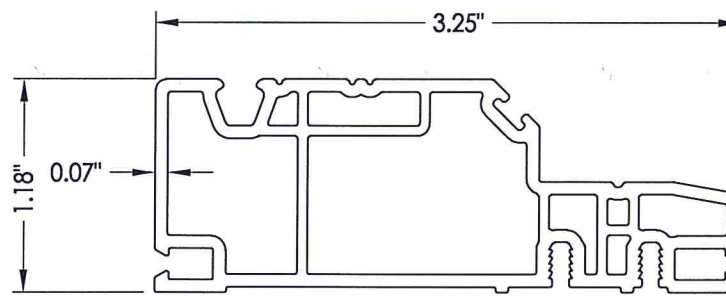
DATE: 4/29/20  
SCALE: N.T.S.  
DWG. BY: TRJ  
CHK. BY: LFS  
DRAWING NO.: TX-5025  
SHEET 2 OF 3



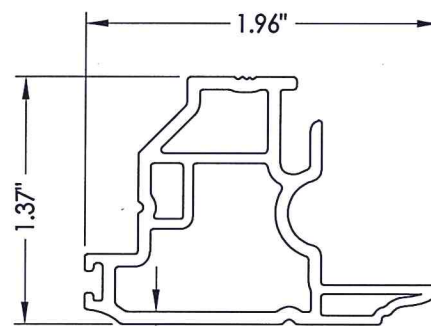
**BILL OF MATERIALS**

ITEM #	DESCRIPTION	MATERIAL
A	2X FRAMING (SG >= 0.42)	WOOD
C	1/4" MAX. SHIM SPACE	-
F	#8 X 2-1/2" PH or FH SMS (1-1/16" MIN. EMBEDMENT)	STEEL
1	EXTRUDED VINYL FRAME *	RIGID PVC
2	EXTRUDED VINYL SASH*	RIGID PVC
3	EXTRUDED VINYL GLAZING BEAD*	RIGID PVC
4	EXTRUDED VINYL FRAME CAP* (HEAD & JAMB)	RIGID PVC
5	EXTRUDED VINYL FRAME CAP* (SILL)	RIGID PVC
7	BULB WEATHERSTRIP	STEEL
8	BULB WEATHERSTRIP	STEEL
9	TIE BAR ASSEMBLY	STEEL
10	LOCK ASSEMBLY	-
11	SINGLE ARM OPERATOR	-
14	SNUBBER	STEEL
15	KEEPER	STEEL

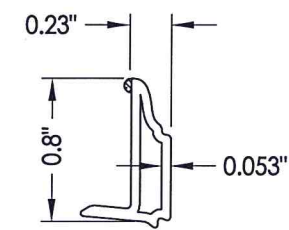
\* THE APPROVED WHITE RIGID PVC EXTERIOR EXTRUSIONS FOR WINDOWS ARE TO BE PRODUCED BY EXTRUDERS LICENSEES IN "CERTIFICATION PROGRAMS FOR RIGID PVC EXTRUSIONS".



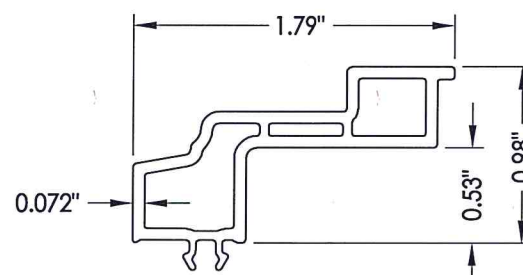
**1 FRAME**



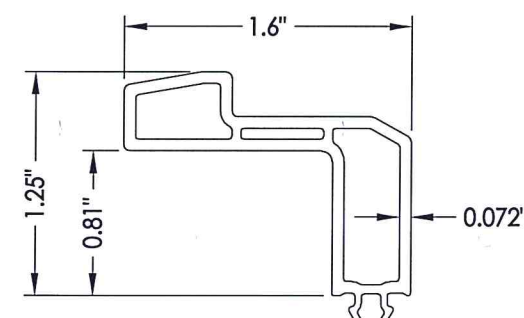
**2 SASH**



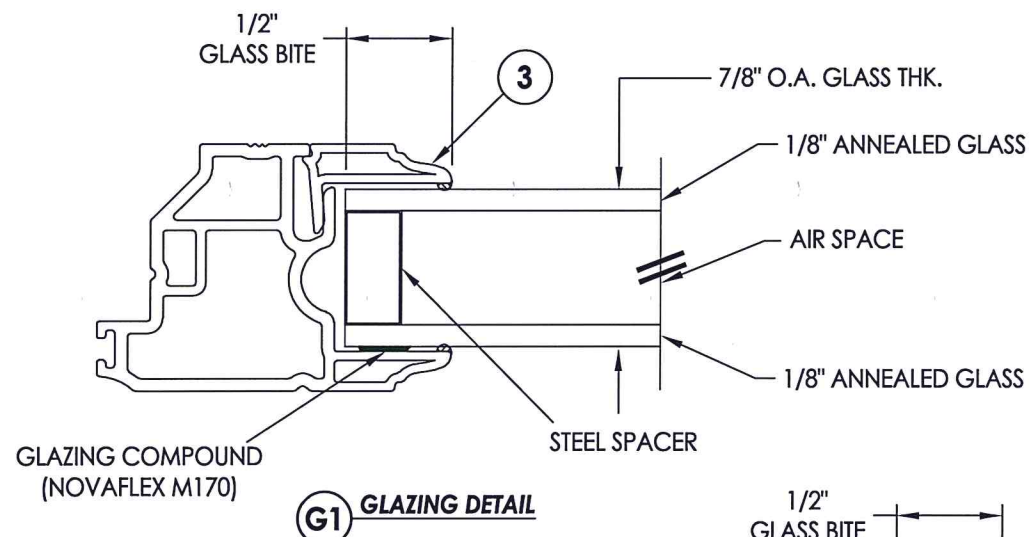
**3 GLAZING BEAD**



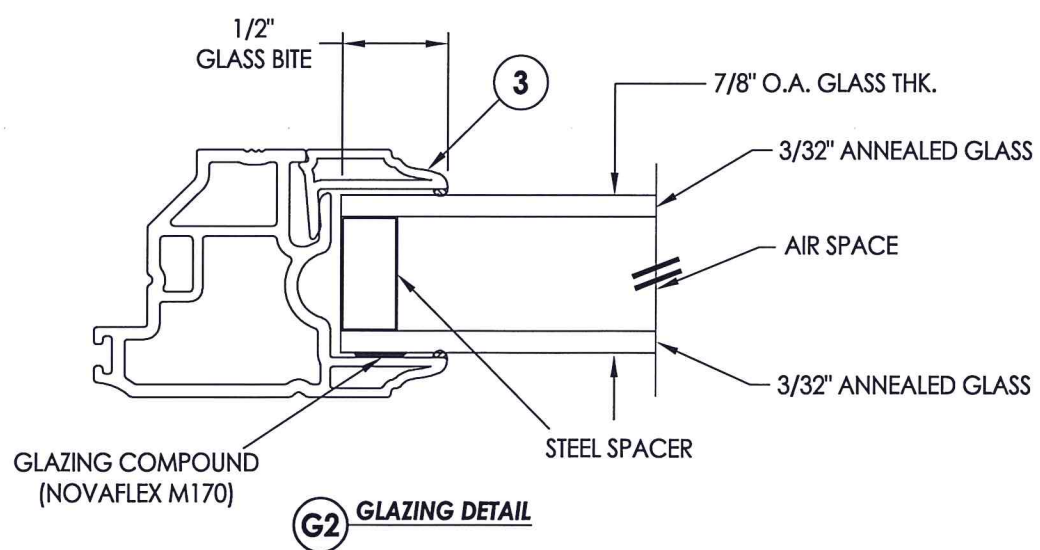
**4 FRAME CAP (HEAD & JAMBS)**



**5 FRAME CAP (SILL)**



**G1 GLAZING DETAIL**



**G2 GLAZING DETAIL**



Documents Prepared By: Lyndon F. Schmidt, P.E.  
TEXAS P.E. #104123

**RW** BUILDING CONSULTANTS, INC.  
P.O. Box 230 Valrico FL 33595  
Phone No.: 813.659.9197

TEXAS BOARD OF PROFESSIONAL ENGINEERS  
CERTIFICATE OF REGISTRATION # F-11852

PRODUCT: AWNING WINDOW	
PART OR ASSEMBLY: BILL OF MATERIALS, COMPONENTS & GLAZING DETAILS	
NO.	DATE
BY	BY
REVISIONS	
DATE: 4/29/20	
SCALE: N.T.S.	
DWG. BY: TRJ	
CHK. BY: LFS	
DRAWING NO.: TX-5025	
SHEET 3 OF 3	