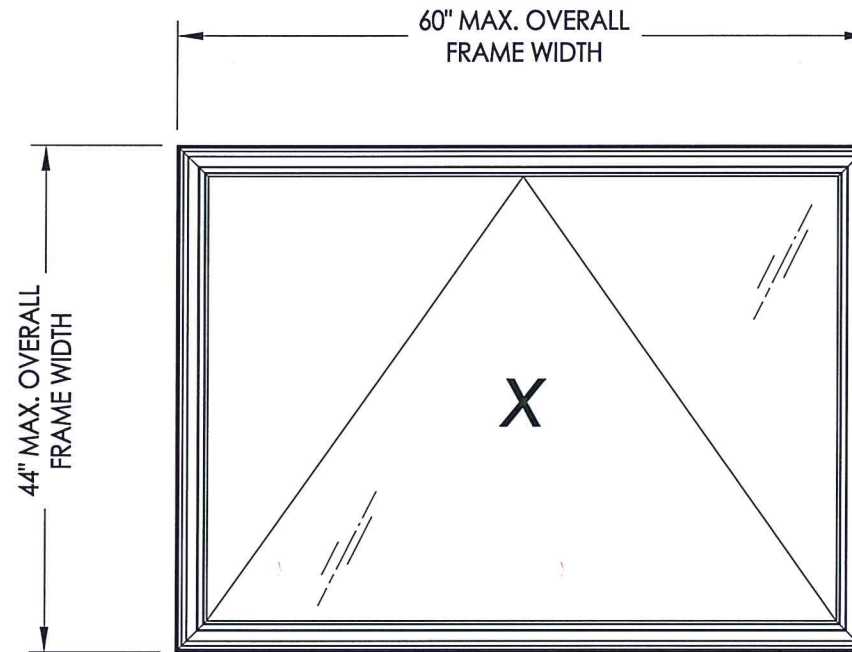




"Restorations" Series Awning Window "NON-IMPACT"



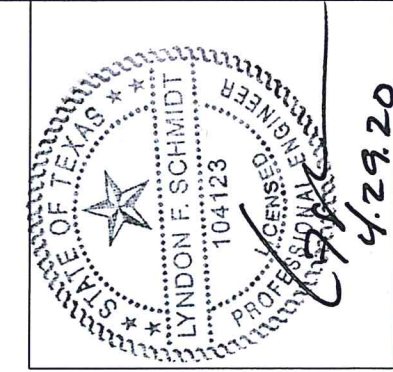
EVALUATED FOR USE IN THE STATE OF TEXAS

The Awning Window described herein complies with the 2018 International Residential Code (IRC), Sections R301 & R609 and the 2018 International Building Code (IBC), Sections 1404.13, 1609, 1709.5, 2403 and 2404 subject to the following conditions:

1. Anchors shall be as listed and spaced as shown in the details. Anchor embedment to base material shall be beyond roof covering.
2. When used in areas requiring wind-borne debris protection this product is required to be protected with an impact resistant covering that complies with Section R301.2.1.2 of the IRC and Section 1609.2 of the IBC.
3. Allowable design pressure requirements must be equal to or less than the design pressure rating shown in the design pressure chart, sheet 1 of this drawing.
4. Conditions not covered by this drawing are subject to further engineering analysis.

TABLE OF CONTENTS	
SHEET #	DESCRIPTION
1	Typical Elevations, Design Pressures & General Notes
2	Frame Anchoring & Cross Section
3	Bill of Materials, Components & Glazing Details

OVERALL FRAME DIMENSION	OVERALL DAY LIGHT DIMENSION	GLASS TYPE	DESIGN PRESSURE (PSF)	
			POS.	NEG.
60.0" X 44.0"	54.5" X 38.5"	G1	+30.0	-30.0
48.0" X 32.0"	42.5" X 26.5"	G2	+55.0	-55.0



Documents Prepared By: Lyndon F. Schmidt, P.E.
TEXAS P.E. #104123

RW BUILDING CONSULTANTS, INC.
P.O. Box 230 Valrico FL 33595
Phone No.: 813.659.9197

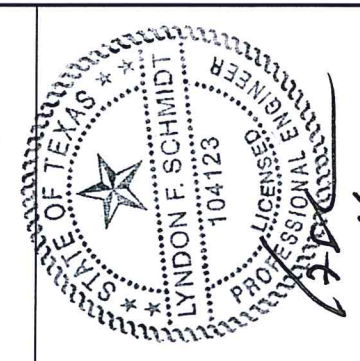
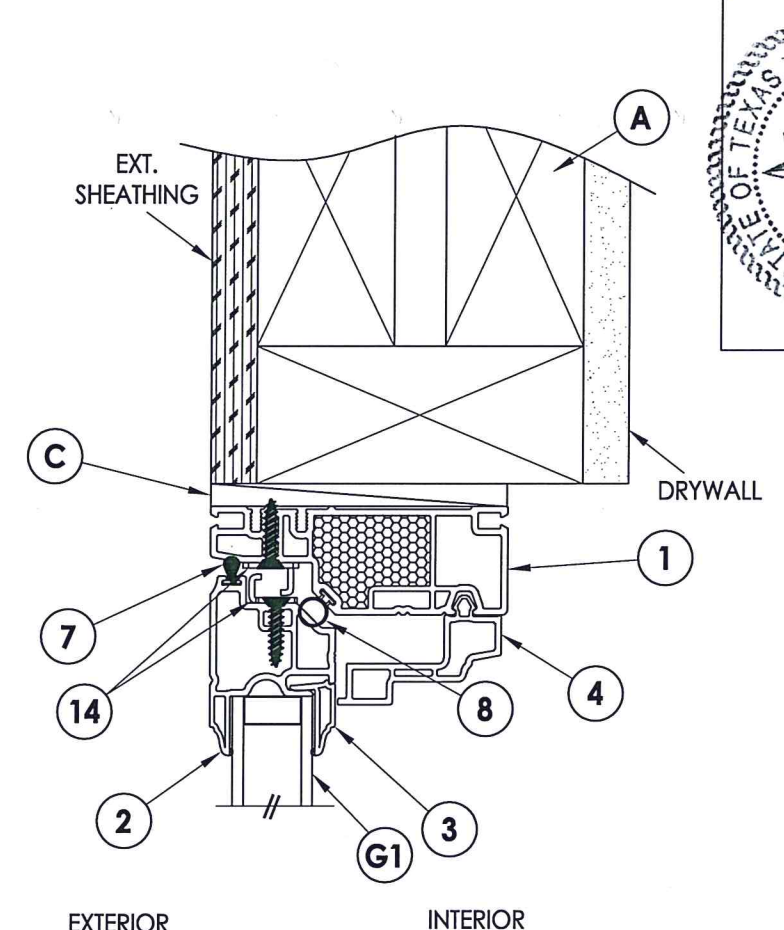
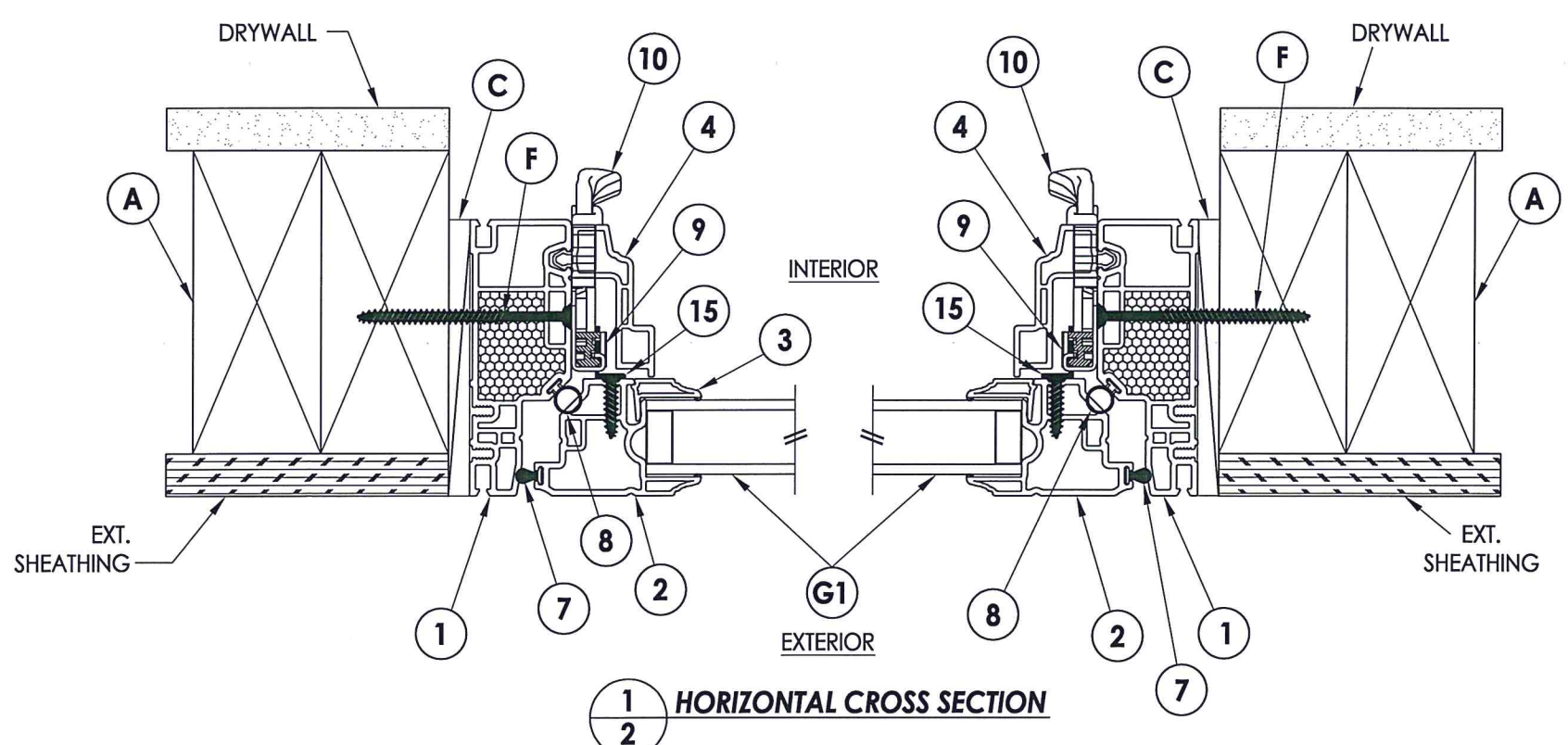
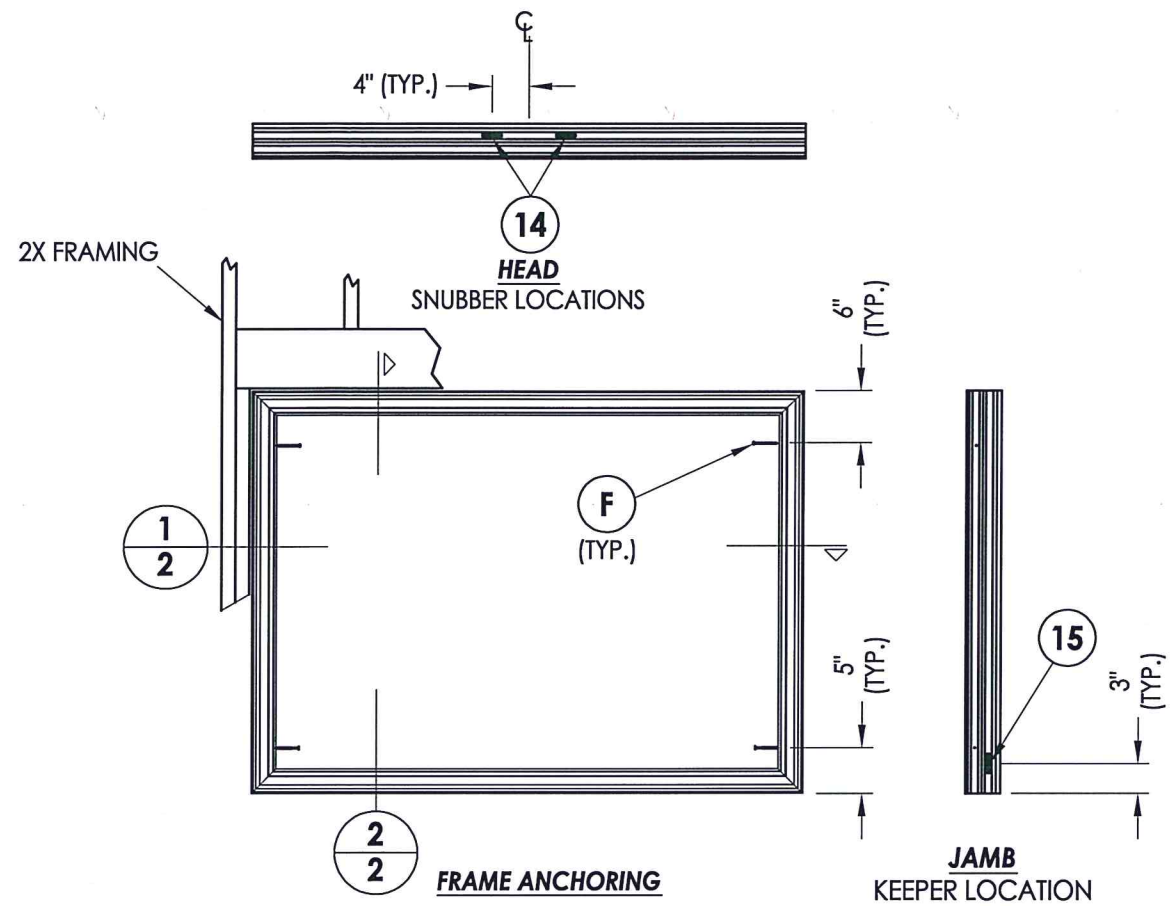
TEXAS BOARD OF PROFESSIONAL ENGINEERS
CERTIFICATE OF REGISTRATION # F-11852

PRODUCT: AWNING WINDOW

PART OR ASSEMBLY:
TYPICAL ELEVATION, DESIGN PRESSURES & GENERAL NOTES

NO.	DATE	BY	REVISIONS

DATE: 4/29/20
SCALE: N.T.S.
DWG. BY: TRJ
CHK. BY: LFS
DRAWING NO.: TX-5028
SHEET 1 OF 3



Documents Prepared By: Lyndon F. Schmidt, P.E.
 TEXAS P.E. #104123

RW BUILDING CONSULTANTS, INC.
 P.O. Box 230 Vairico FL 33595
 Phone No.: 813.659.9197

TEXAS BOARD OF PROFESSIONAL ENGINEERS
 CERTIFICATE OF REGISTRATION # F-11852

PRODUCT: AWNING WINDOW

PART OR ASSEMBLY: FRAME ANCHORING & CROSS SECTION

NO.	DATE	BY	REVISIONS

DATE: 4/29/20

SCALE: N.T.S.

DWG. BY: TRJ

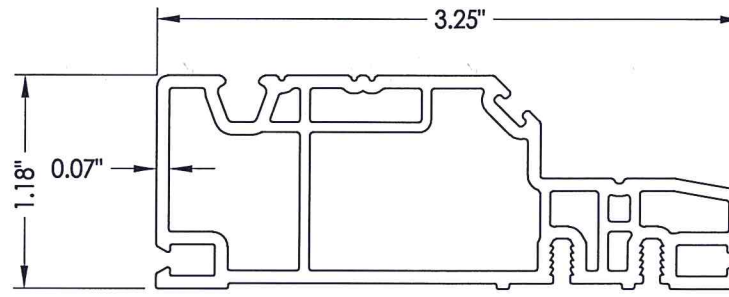
CHK. BY: LFS

DRAWING NO.: TX-5028

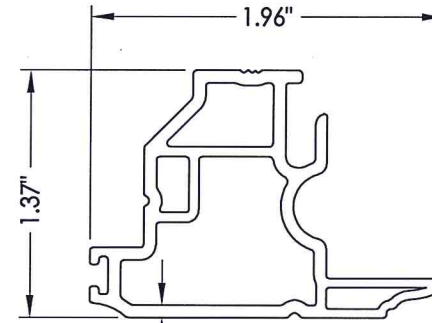
SHEET 2 OF 3

BILL OF MATERIALS

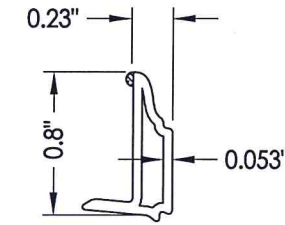
ITEM #	DESCRIPTION	MATERIAL
A	2X FRAMING (SG >= 0.42)	WOOD
C	1/4" MAX. SHIM SPACE	-
F	#8 X 2-1/2" PH or FH SMS (1-1/16" MIN. EMBEDMENT)	STEEL
1	EXTRUDED VINYL FRAME *	RIGID PVC
2	EXTRUDED VINYL SASH*	RIGID PVC
3	EXTRUDED VINYL GLAZING BEAD*	RIGID PVC
4	EXTRUDED VINYL FRAME CAP* (HEAD & JAMB)	RIGID PVC
5	EXTRUDED VINYL FRAME CAP* (SILL)	RIGID PVC
7	BULB WEATHERSTRIP	STEEL
8	BULB WEATHERSTRIP	STEEL
9	TIE BAR ASSEMBLY	STEEL
10	LOCK ASSEMBLY	-
11	SINGLE ARM OPERATOR	-
14	SNUBBER	STEEL
15	KEEPER	STEEL



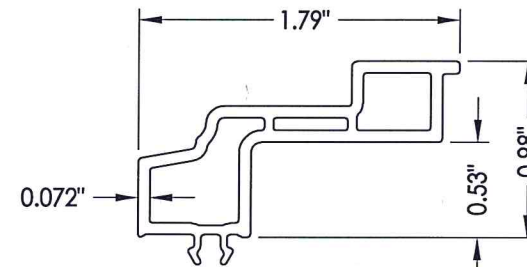
1 FRAME



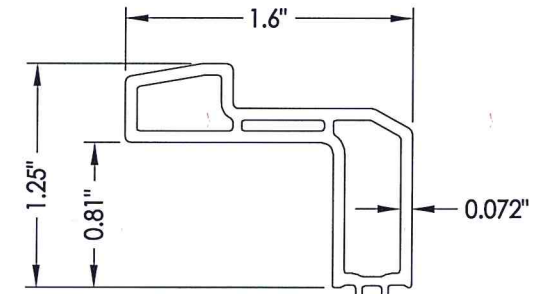
2 SASH



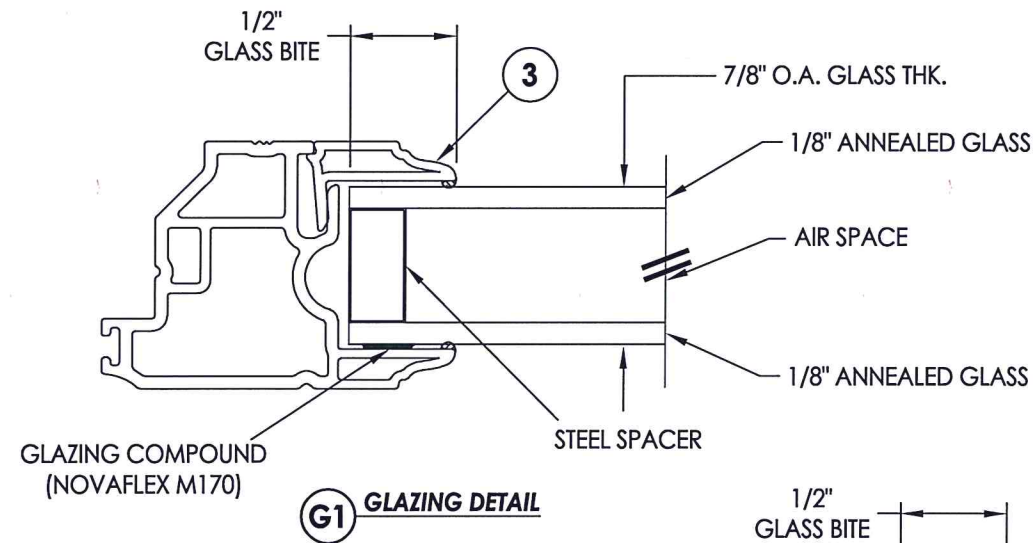
3 GLAZING BEAD



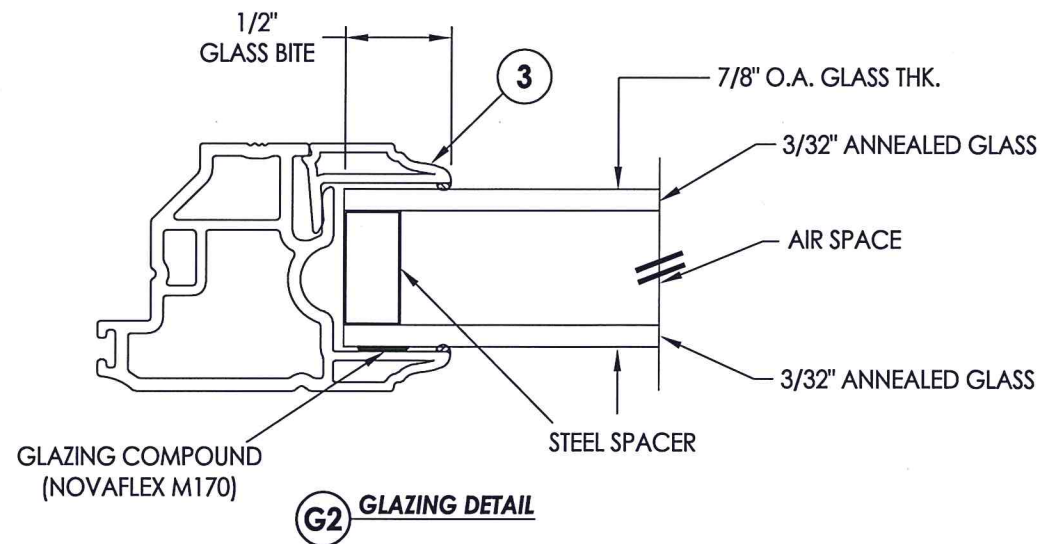
4 FRAME CAP (HEAD & JAMBS)



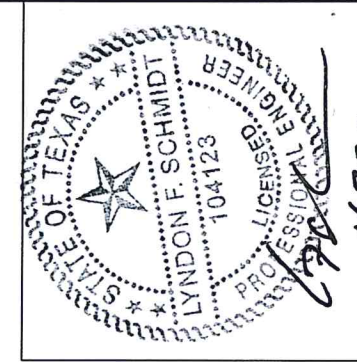
5 FRAME CAP (SILL)



G1 GLAZING DETAIL



G2 GLAZING DETAIL



Documents Prepared By: Lyndon F. Schmidt, P.E.
TEXAS P.E. #104123

RW BUILDING CONSULTANTS, INC.
P.O. Box 230 Valrico FL 33595
Phone No.: 813.659.9197

TEXAS BOARD OF PROFESSIONAL ENGINEERS
CERTIFICATE OF REGISTRATION # F-11852

PRODUCT: AWNING WINDOW
PART OR ASSEMBLY: BILL OF MATERIALS, COMPONENTS & GLAZING DETAILS

NO.	DATE	BY

DATE: 4/29/20
SCALE: N.T.S.
DWG. BY: TRJ
CHK. BY: LFS
DRAWING NO.: TX-5028
SHEET 3 OF 3