

REVISIONS			
REV	DESCRIPTION	DATE	APPROVED
A	REVISED PER NEW REQUIREMENTS	02/26/2020	R.L.

NOTES:

1. THE PRODUCT SHOWN HEREIN IS DESIGNED AND MANUFACTURED TO COMPLY WITH REQUIREMENTS OF THE 2018 IBC AND THE 2018 IRC.
2. WOOD FRAMING AND MASONRY OPENING TO BE DESIGNED AND ANCHORED TO PROPERLY TRANSFER ALL LOADS TO STRUCTURE. FRAMING AND MASONRY OPENING IS THE RESPONSIBILITY OF THE ARCHITECT OR ENGINEER OF RECORD.
3. 1X BUCK OVER MASONRY/CONCRETE IS OPTIONAL. WHERE 1X BUCK IS NOT USED DISSIMILAR MATERIALS MUST BE SEPARATED WITH APPROVED COATING OR MEMBRANE. SELECTION OF COATING OR MEMBRANE IS THE RESPONSIBILITY OF THE ARCHITECT OR ENGINEER OF RECORD.
4. ALLOWABLE STRESS INCREASE OF 1/3 WAS NOT USED IN THE DESIGN OF THE PRODUCT SHOWN HEREIN. WIND LOAD DURATION FACTOR Cd=1.6 WAS USED FOR WOOD ANCHOR CALCULATIONS.
5. FRAME MATERIAL: ALUMINUM 6063-T5
6. UNITS MUST BE GLAZED PER ASTM E1300-04/09, WITH SAFETY GLAZING.
7. APPROVED IMPACT PROTECTIVE SYSTEM IS REQUIRED FOR THIS PRODUCT IN WIND BORNE DEBRIS REGIONS.
8. SHIM AS REQUIRED AT EACH INSTALLATION ANCHOR WITH LOAD BEARING SHIM. SHIM WHERE SPACE OF 1/16" OR GREATER OCCURS. MAXIMUM ALLOWABLE SHIM STACK TO BE 1/4".
9. FOR ANCHORING INTO WOOD FRAMING OR 2X BUCK USE 1/4" LAG SCREWS WITH SUFFICIENT LENGTH TO ACHIEVE A 1 3/4" MINIMUM EMBEDMENT INTO SUBSTRATE. LOCATE ANCHORS AS SHOWN IN ELEVATIONS AND INSTALLATION DETAILS.

10. FOR ANCHORING INTO MASONRY/CONCRETE USE 1/4" ELCO CRETE-FLEX WITH SUFFICIENT LENGTH TO ACHIEVE A 1 1/4" MINIMUM EMBEDMENT INTO SUBSTRATE WITH 2 1/2" MINIMUM EDGE DISTANCE. LOCATE ANCHORS AS SHOWN IN ELEVATIONS AND INSTALLATION DETAILS.
11. FOR ANCHORING INTO METAL STRUCTURE USE 1/4" SMS OR SELF DRILLING SCREWS WITH SUFFICIENT LENGTH TO ACHIEVE 3 THREADS MINIMUM BEYOND STRUCTURE INTERIOR WALL. LOCATE ANCHORS AS SHOWN IN ELEVATIONS AND INSTALLATION DETAILS.
12. ALL FASTENERS TO BE CORROSION RESISTANT.
13. INSTALLATION ANCHORS SHALL BE INSTALLED IN ACCORDANCE WITH ANCHOR MANUFACTURER'S INSTALLATION INSTRUCTIONS AND ANCHORS SHALL NOT BE USED IN SUBSTRATES WITH STRENGTHS LESS THAN THE MINIMUM STRENGTH SPECIFIED BELOW:
 - A. WOOD – MINIMUM SPECIFIC GRAVITY OF G=0.42
 - B. CONCRETE – MINIMUM COMPRESSIVE STRENGTH OF 3,192 PSI.
 - C. MASONRY – STRENGTH CONFORMANCE TO ASTM C-90, GRADE N, TYPE 1 (OR GREATER).
 - D. METAL STRUCTURE: STEEL 12GA, 33KSI OR ALUMINUM 6063-T5 .060" THICK MINIMUM

TABLE OF CONTENTS	
SHEET NO.	DESCRIPTION
1	NOTES
2	ELEVATIONS
3 – 4	CROSS SECTIONS
5 – 7	INSTALLATION DETAILS
8	COMPONENTS

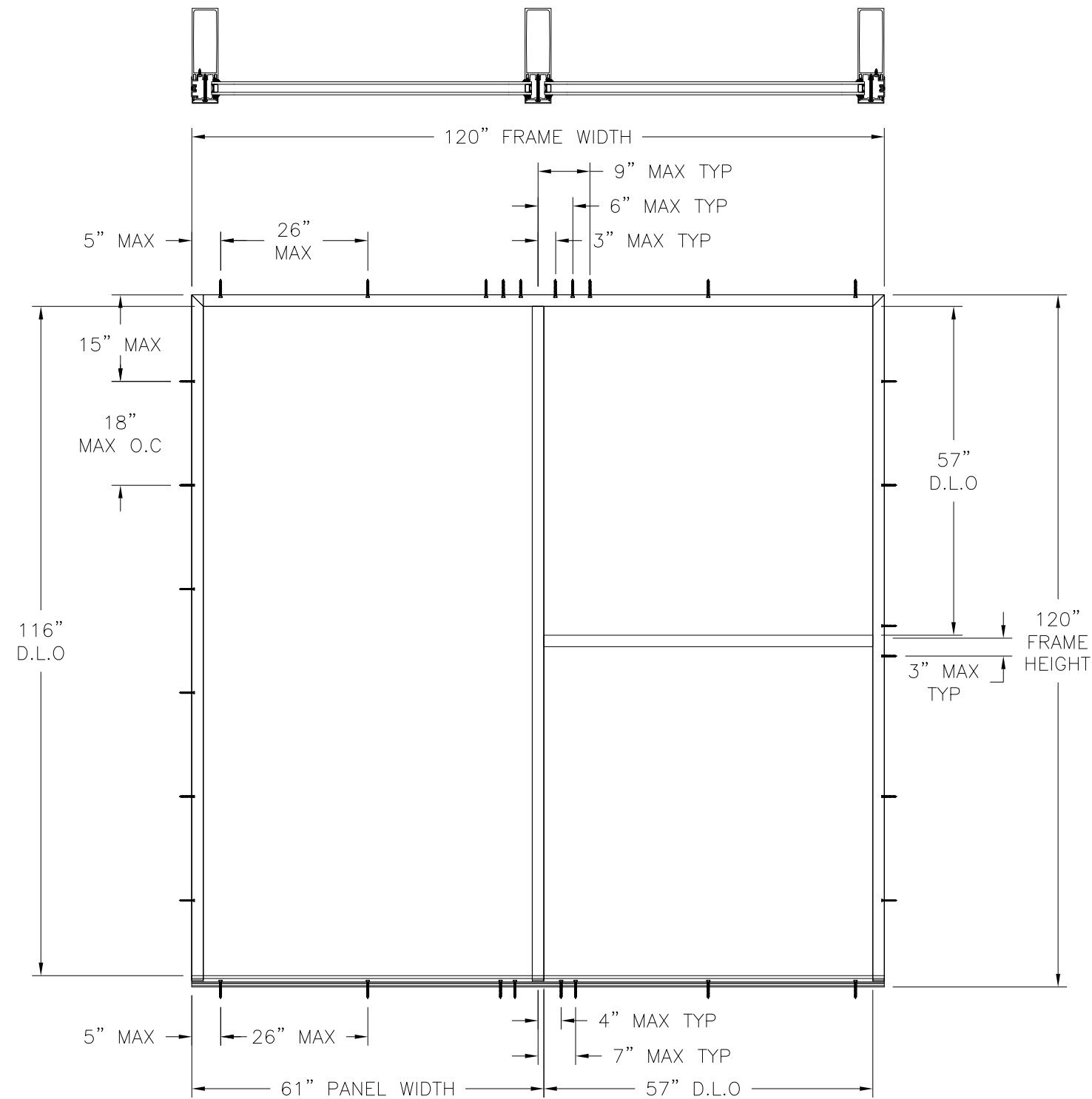
SOLAR INNOVATIONS, INC. 31 ROBERTS RD PINE GROVE, PA 17963		
SERIES SI5100 ALUMINUM FIXED WINDOW NON-IMPACT NOTES		
DRAWN: A.R.	DWG NO. 08-03448	REV A
SCALE NTS	DATE 06/18/19	SHEET 1 OF 8
L. ROBERTO LOMAS P.E. 1432 WOODFORD RD LEWISVILLE, NC 27023 434-688-0609 rllomas@lrlomaspe.com		

SIGNED: 04/20/2020



Luis R. Lomas P.E.
TX No.: 101889

REVISIONS			
REV	DESCRIPTION	DATE	APPROVED
A	REVISED PER NEW REQUIREMENTS	02/26/2020	R.L.



NOTES:
 1. SINGLE PANEL FRAME SIZE: 61" X 120"

SERIES SI5100 ALUMINUM FIXED WINDOW
 EXTERIOR VIEW

DESIGN PRESSURE RATING	IMPACT RATING
±65.0PSF	NONE

SEE CHART 1 AND 2, SHEET 3

2 PANELS SHOWN, MULTIPLE PANELS ARE APPROVED AS LONG AS INDIVIDUAL PANEL FRAME AREA DOES NOT EXCEED 50.8 FT²

SOLAR INNOVATIONS, INC.
 31 ROBERTS RD
 PINE GROVE, PA 17963

SERIES SI5100 ALUMINUM FIXED WINDOW
 NON-IMPACT
 ELEVATION

DRAWN: A.R.	DWG NO. 08-03448	REV A
SCALE NTS	DATE 06/18/19	SHEET 2 OF 8

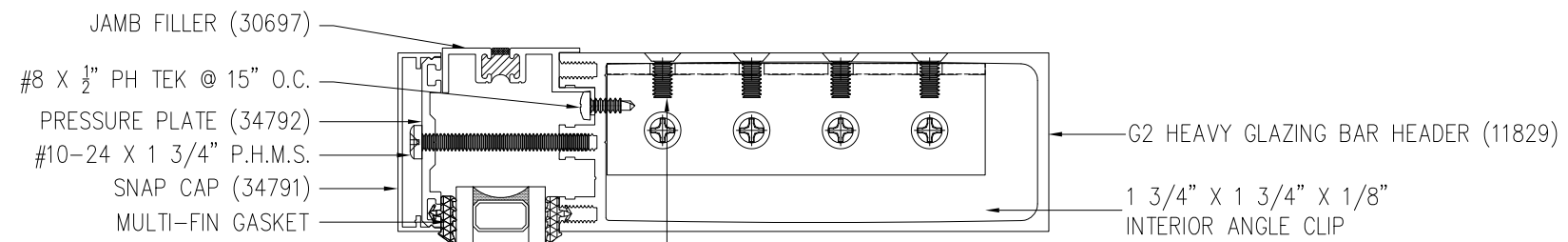
L. ROBERTO LOMAS P.E.
 1432 WOODFORD RD LEWISVILLE, NC 27023
 434-688-0609 rllomas@lrlomaspe.com

SIGNED: 04/20/2020

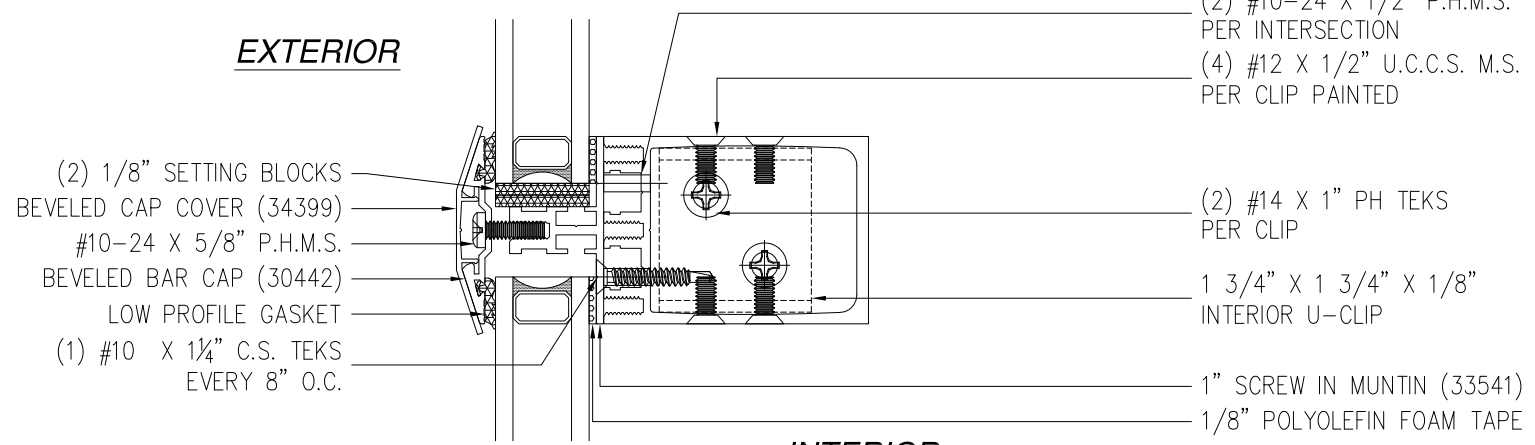


Luis R. Lomas P.E.
 TX No.: 101889

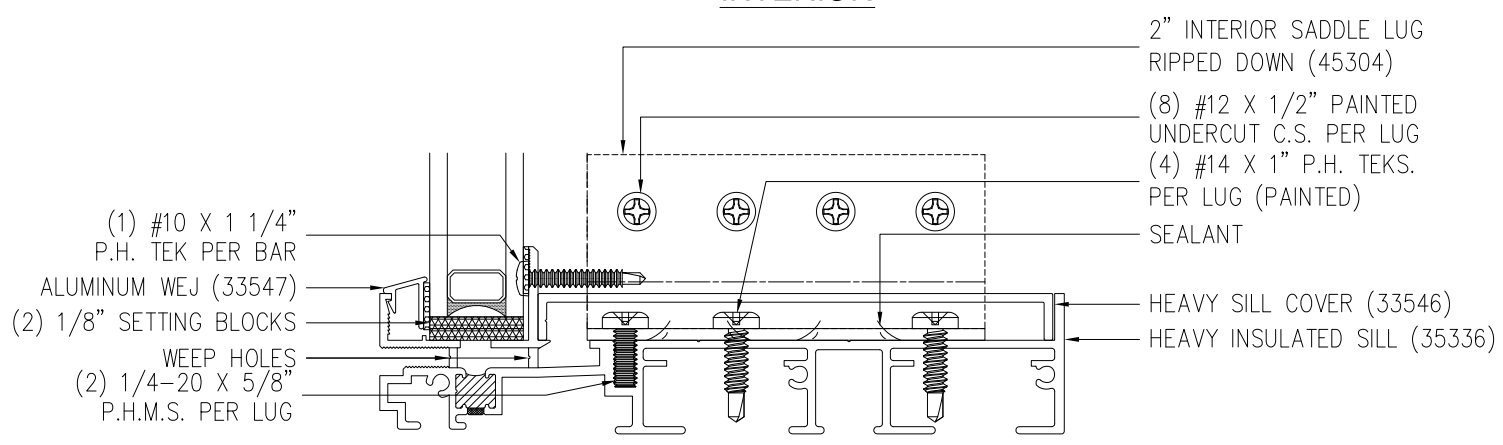
REVISIONS			
REV	DESCRIPTION	DATE	APPROVED
A	REVISED PER NEW REQUIREMENTS	02/26/2020	R.L.



EXTERIOR



INTERIOR



VERTICAL CROSS SECTION

SOLAR INNOVATIONS, INC.
 31 ROBERTS RD
 PINE GROVE, PA 17963

SERIES SI5100 ALUMINUM FIXED WINDOW
 NON-IMPACT
 VERTICAL CROSS SECTION

DRAWN: A.R.	DWG NO. 08-03448	REV A
SCALE NTS	DATE 06/18/19	SHEET 3 OF 8

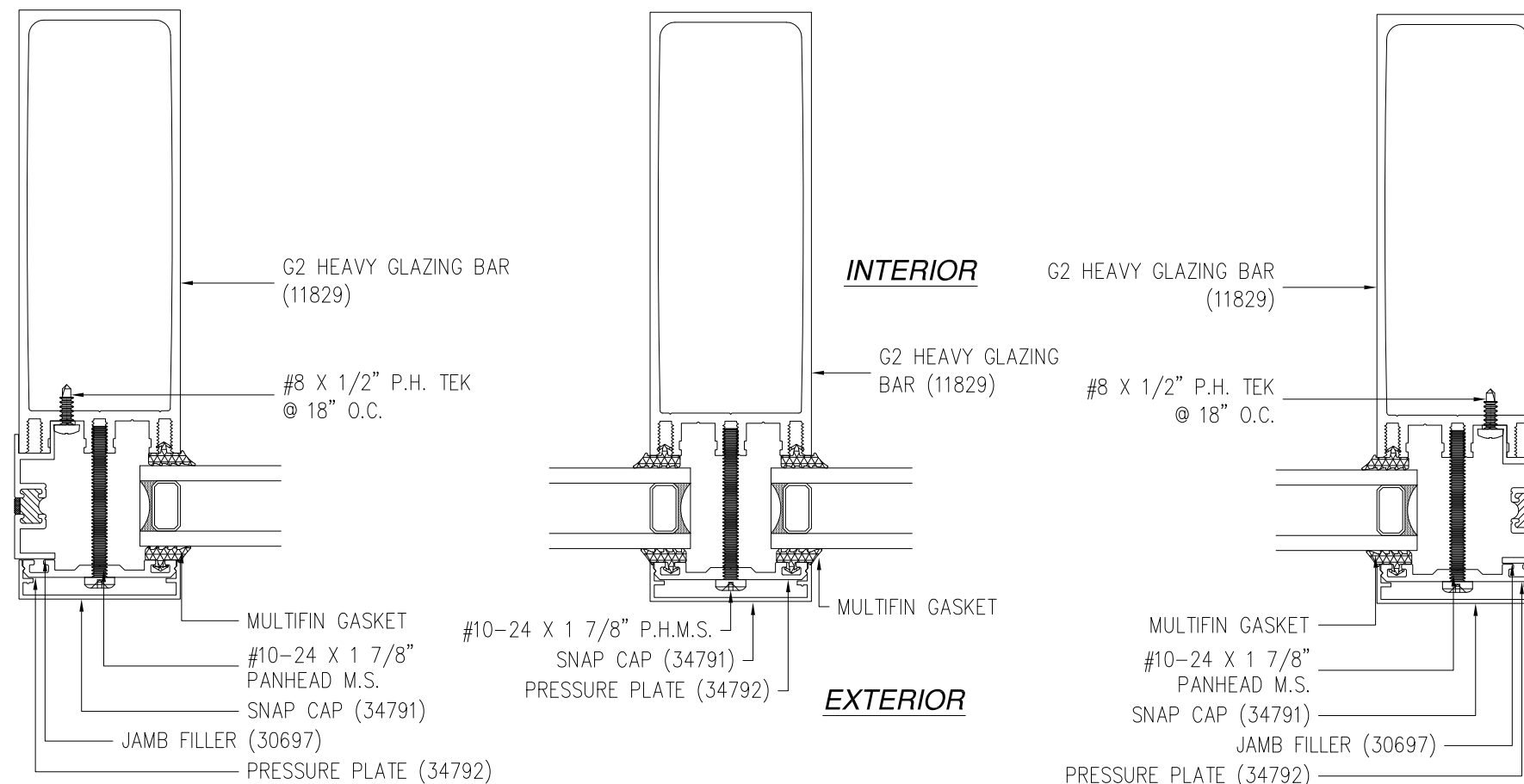
L. ROBERTO LOMAS P.E.
 1432 WOODFORD RD LEWISVILLE, NC 27023
 434-688-0609 rllomas@lrlomaspe.com

SIGNED: 04/20/2020



Luis R. Lomas P.E.
 TX No.: 101889

REVISIONS			
REV	DESCRIPTION	DATE	APPROVED
A	REVISED PER NEW REQUIREMENTS	02/26/2020	R.L.



HORIZONTAL CROSS SECTION

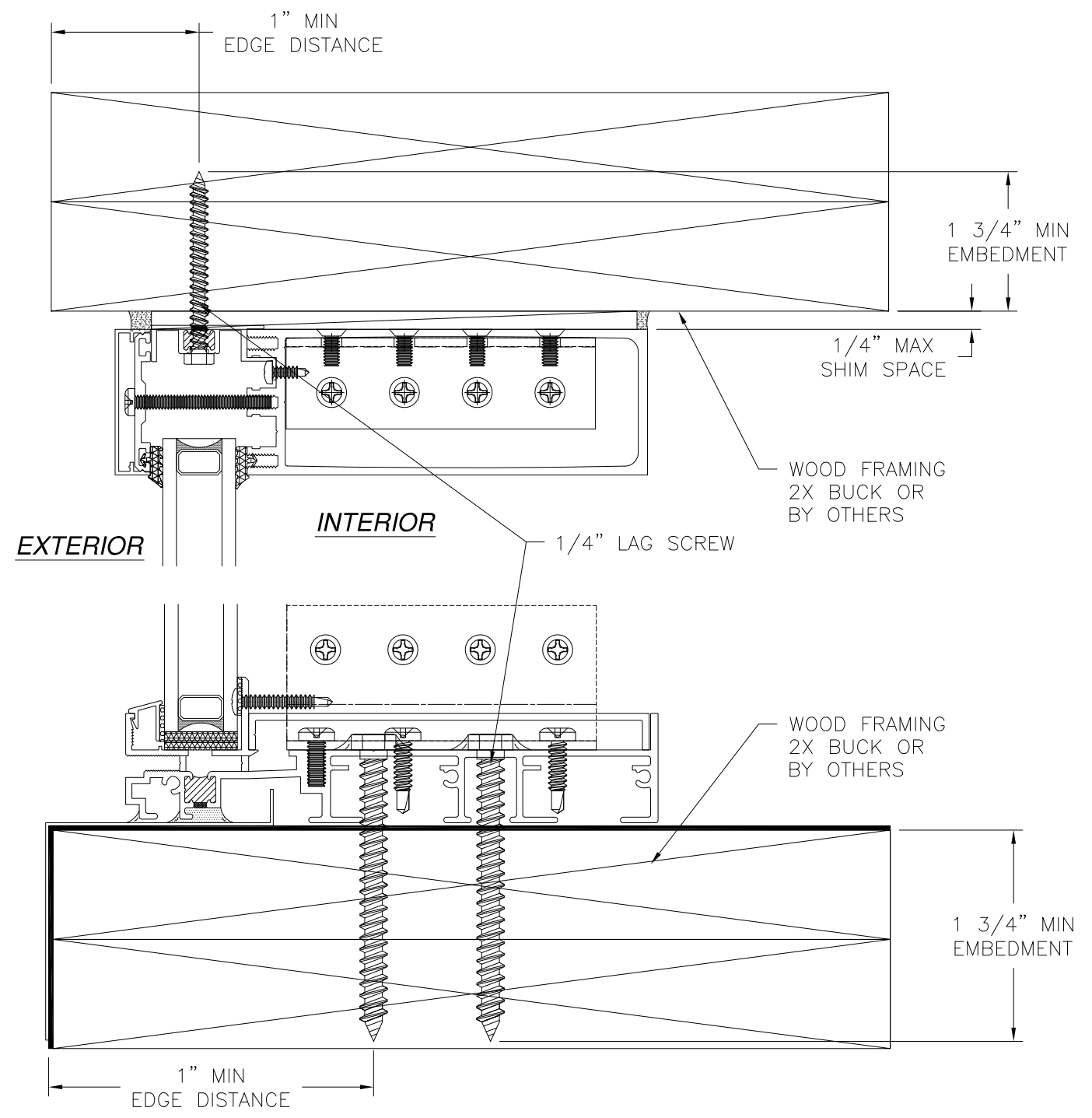
SIGNED: 04/20/2020

SOLAR INNOVATIONS, INC. 31 ROBERTS RD PINE GROVE, PA 17963		
SERIES SI5100 ALUMINUM FIXED WINDOW NON-IMPACT HORIZONTAL CROSS SECTION		
DRAWN: A.R.	DWG NO. 08-03448	REV A
SCALE NTS	DATE 06/18/19	SHEET 4 OF 8
L. ROBERTO LOMAS P.E. 1432 WOODFORD RD LEWISVILLE, NC 27023 434-688-0609 rllomas@lrlomaspe.com		



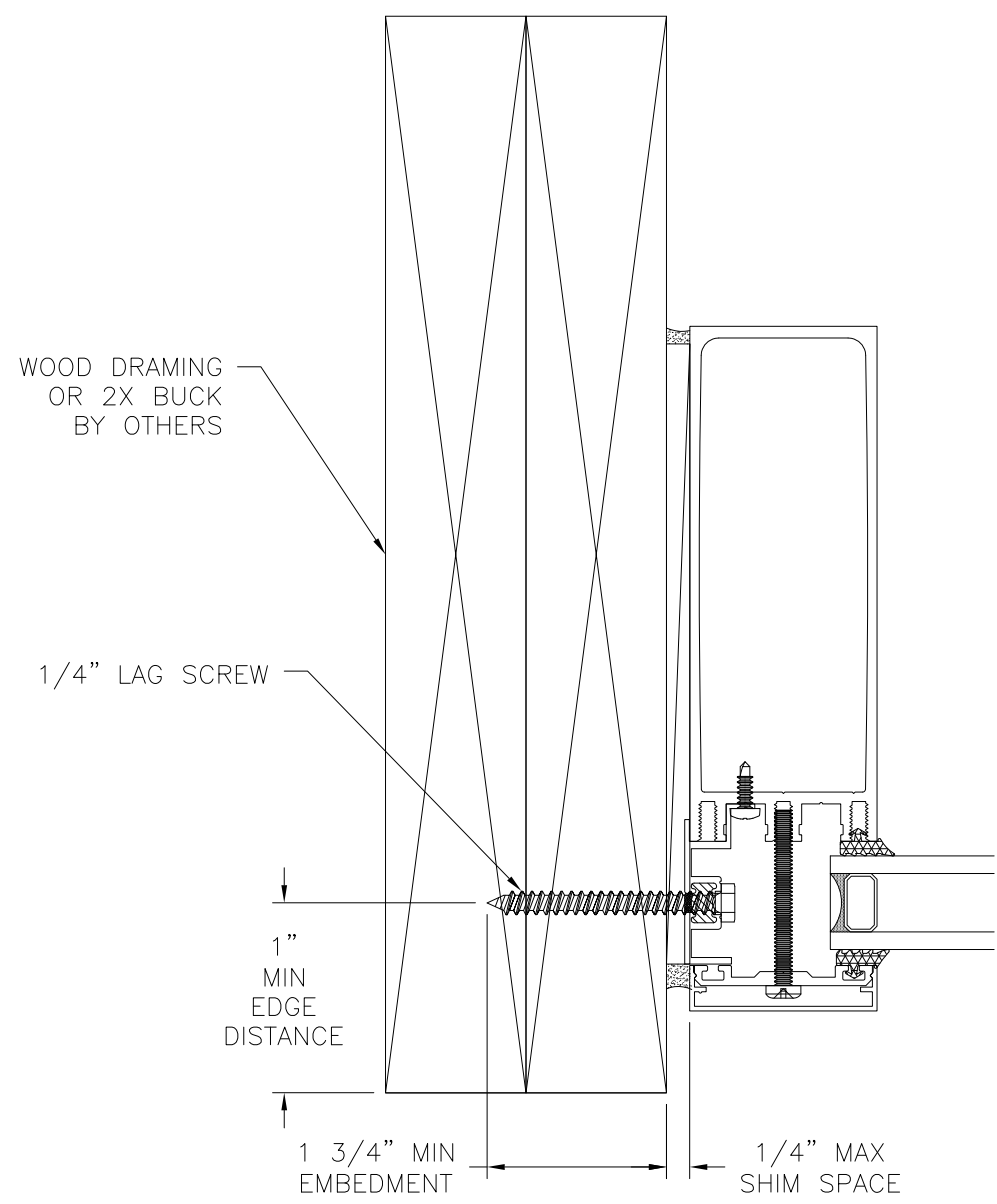
Luis R. Lomas P.E.
TX No.: 101889

REVISIONS			
REV	DESCRIPTION	DATE	APPROVED
A	REVISED PER NEW REQUIREMENTS	02/26/2020	R.L.



VERTICAL CROSS SECTION
WOOD FRAMING OR 2X BUCK INSTALLATION

- NOTES:
1. INTERIOR AND EXTERIOR FINISHES, BY OTHERS, NOT SHOWN FOR CLARITY.
 2. PERIMETER AND JOINT SEALANT BY OTHERS TO BE DESIGNED IN ACCORDANCE WITH ASTM E2112



JAMB INSTALLATION DETAIL
WOOD FRAMING OR 2X BUCK INSTALLATION

SIGNED: 04/20/2020

SOLAR INNOVATIONS, INC.
31 ROBERTS RD
PINE GROVE, PA 17963

SERIES SI5100 ALUMINUM FIXED WINDOW
NON-IMPACT
INSTALLATION DETAILS

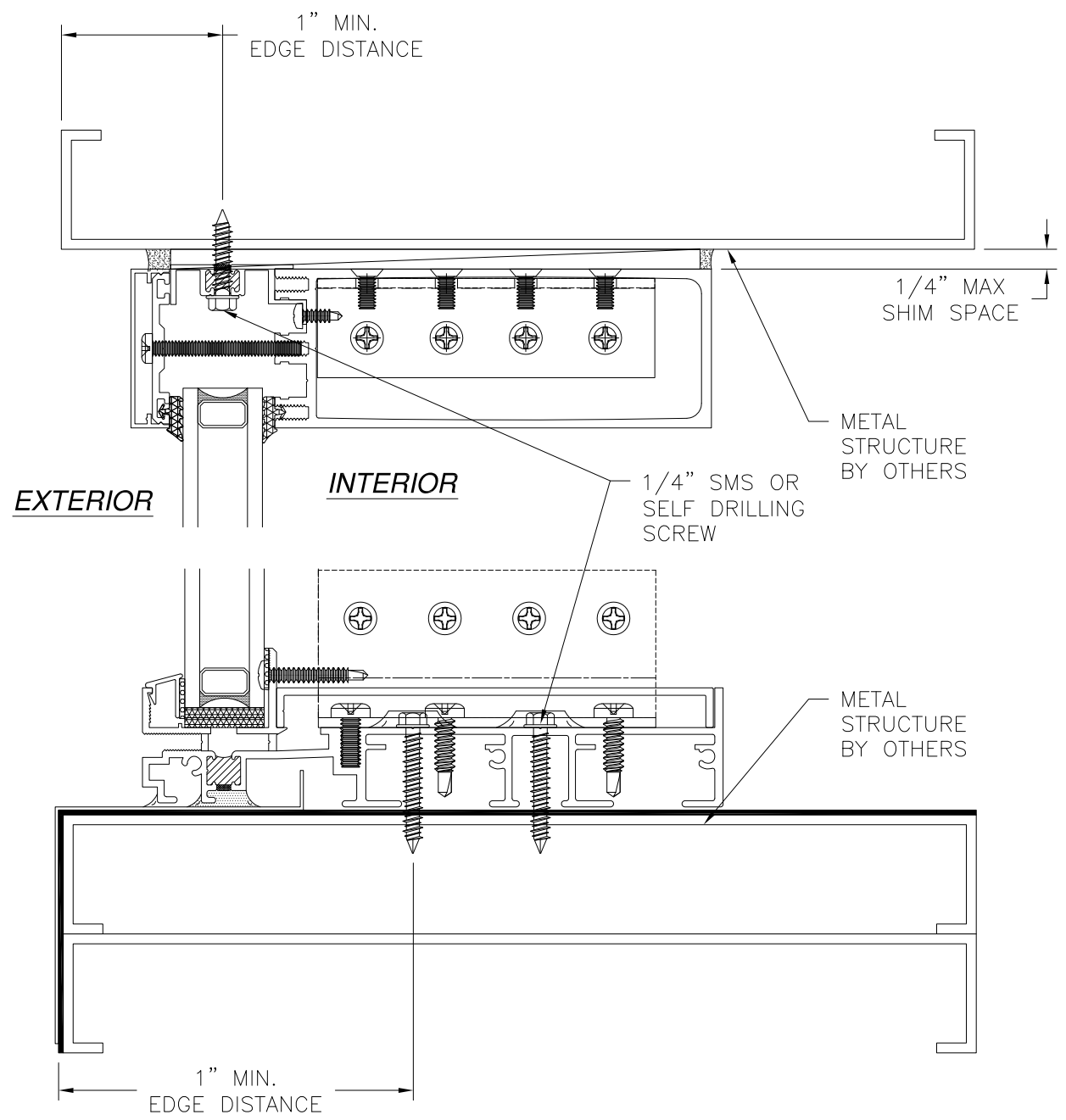
DRAWN: A.R.	DWG NO. 08-03448	REV A
SCALE NTS	DATE 06/18/19	SHEET 5 OF 8

L. ROBERTO LOMAS P.E.
1432 WOODFORD RD LEWISVILLE, NC 27023
434-688-0609 rllomas@rlomaspe.com



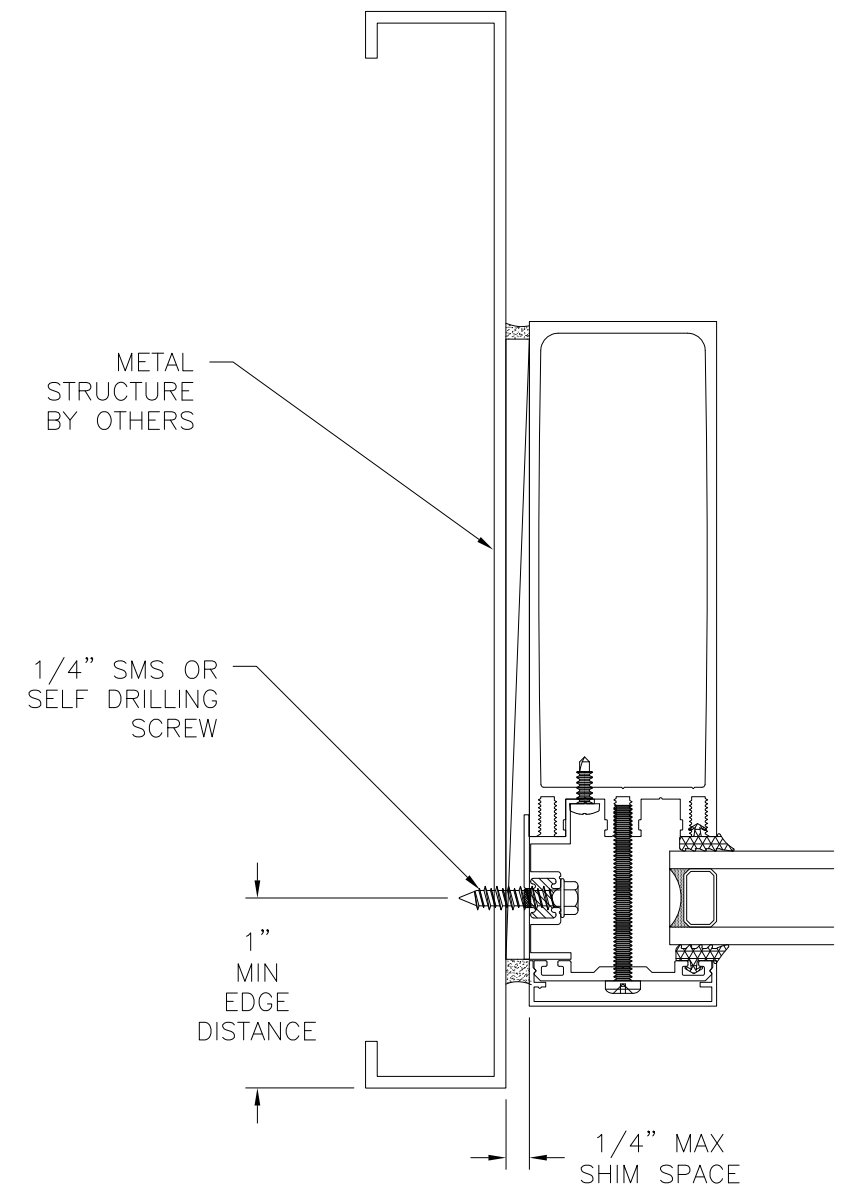
Luis R. Lomas P.E.
TX No.: 101889

REVISIONS			
REV	DESCRIPTION	DATE	APPROVED
A	REVISED PER NEW REQUIREMENTS	02/26/2020	R.L.



VERTICAL CROSS SECTION
METAL STRUCTURE INSTALLATION

- NOTES:
1. INTERIOR AND EXTERIOR FINISHES, BY OTHERS, NOT SHOWN FOR CLARITY.
 2. PERIMETER AND JOINT SEALANT BY OTHERS TO BE DESIGNED IN ACCORDANCE WITH ASTM E2112



JAMB INSTALLATION DETAIL
METAL STRUCTURE INSTALLATION

SIGNED: 04/20/2020

SOLAR INNOVATIONS, INC.
31 ROBERTS RD
PINE GROVE, PA 17963

SERIES SI5100 ALUMINUM FIXED WINDOW
NON-IMPACT
INSTALLATION DETAILS

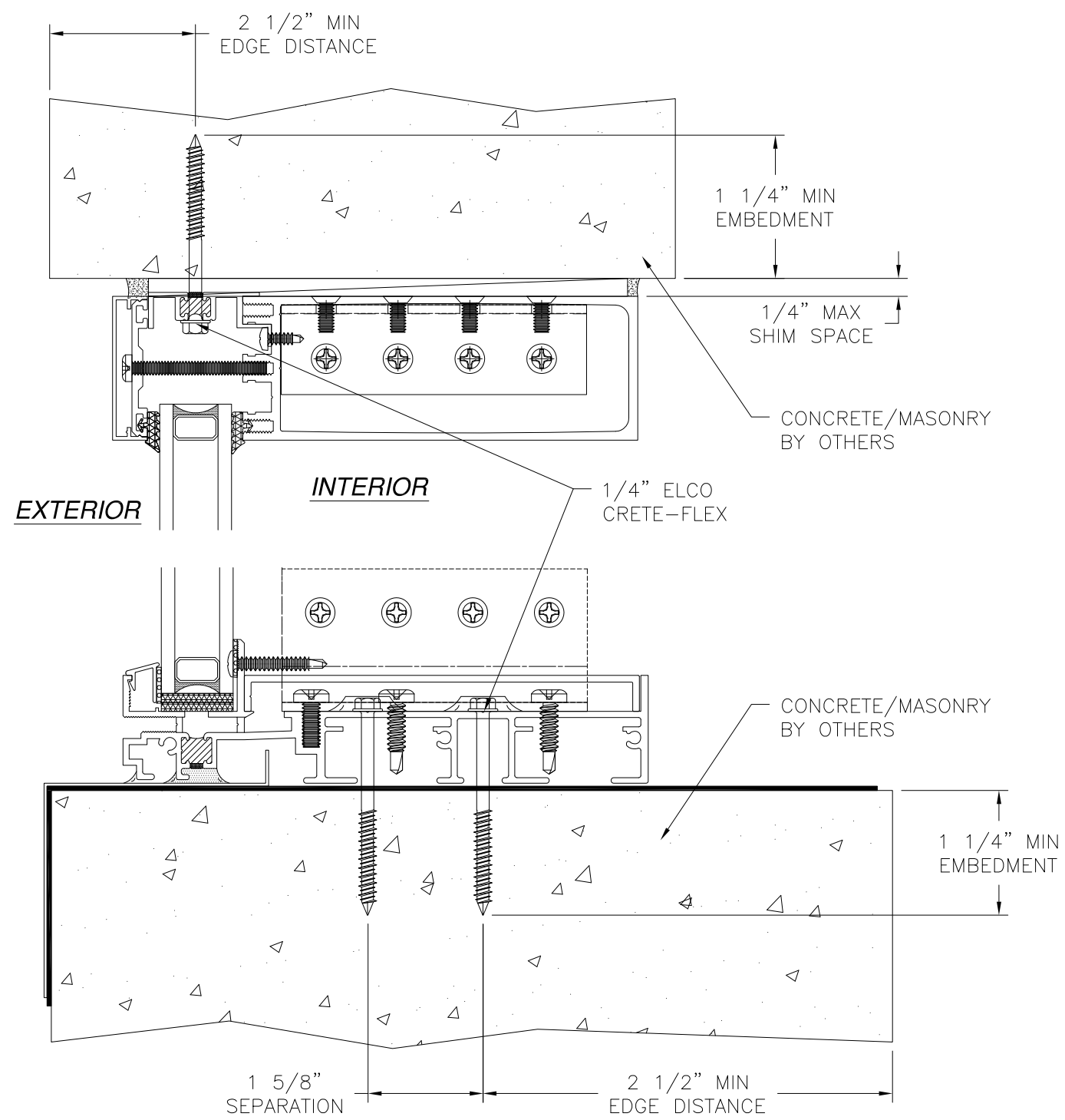
DRAWN: A.R.	DWG NO. 08-03448	REV A
SCALE NTS	DATE 06/18/19	SHEET 6 OF 8

L. ROBERTO LOMAS P.E.
1432 WOODFORD RD LEWISVILLE, NC 27023
434-688-0609 rllomas@rlomaspe.com



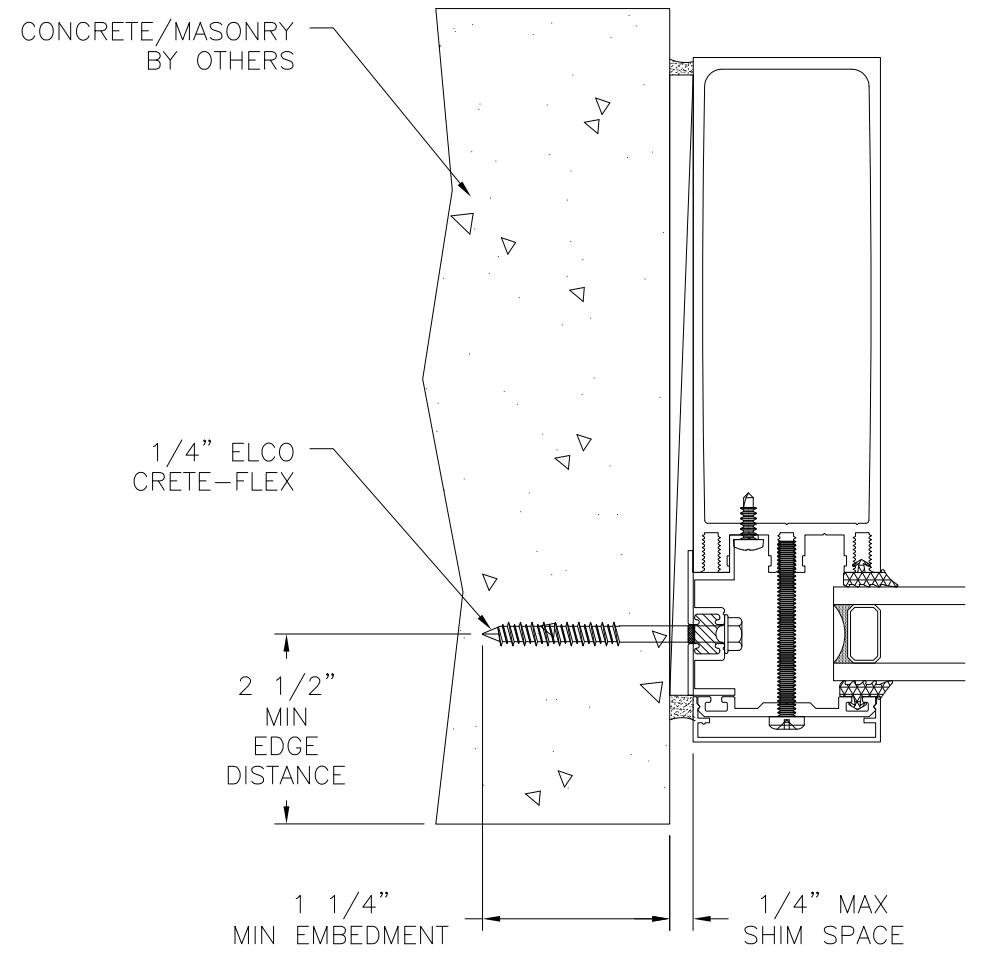
Luis R. Lomas P.E.
TX No.: 101889

REVISIONS			
REV	DESCRIPTION	DATE	APPROVED
A	REVISED PER NEW REQUIREMENTS	02/26/2020	R.L.



VERTICAL CROSS SECTION
CONCRETE/MASONRY INSTALLATION

- NOTES:
1. INTERIOR AND EXTERIOR FINISHES, BY OTHERS, NOT SHOWN FOR CLARITY.
 2. PERIMETER AND JOINT SEALANT BY OTHERS TO BE DESIGNED IN ACCORDANCE WITH ASTM E2112



JAMB INSTALLATION DETAIL
CONCRETE/MASONRY INSTALLATION

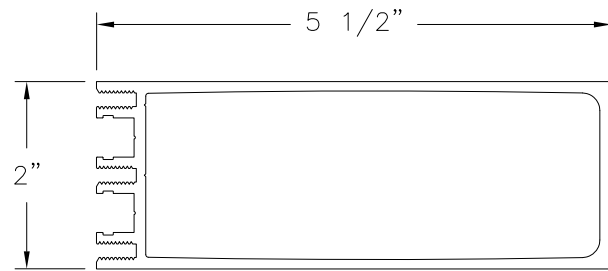
SIGNED: 04/20/2020

SOLAR INNOVATIONS, INC.		
31 ROBERTS RD PINE GROVE, PA 17963		
SERIES SI5100 ALUMINUM FIXED WINDOW NON-IMPACT INSTALLATION DETAILS		
DRAWN: A.R.	DWG NO. 08-03448	REV A
SCALE NTS	DATE 06/18/19	SHEET 7 OF 8
L. ROBERTO LOMAS P.E. 1432 WOODFORD RD LEWISVILLE, NC 27023 434-688-0609 rllomas@rlomaspe.com		

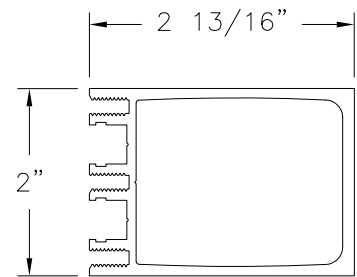


Luis R. Lomas P.E.
TX No.: 101889

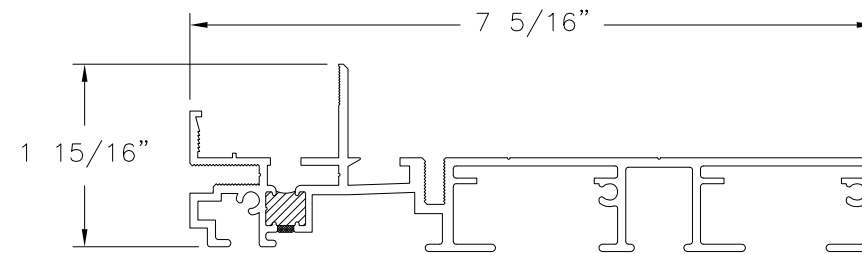
REVISIONS			
REV	DESCRIPTION	DATE	APPROVED
A	REVISED PER NEW REQUIREMENTS	02/26/2020	R.L.



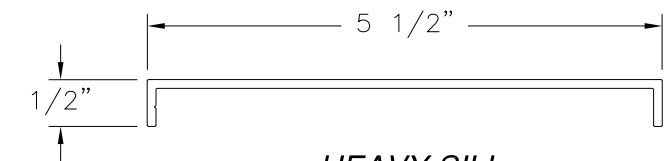
**G2 HEAVY
GLAZING BAR (11829)**



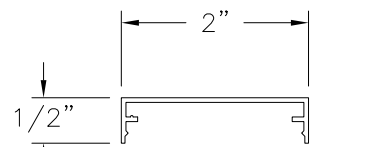
**G2 REGULAR
GLAZING BAR (12214)**



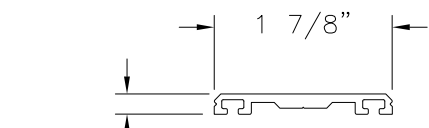
HEAVY SILL (35336)



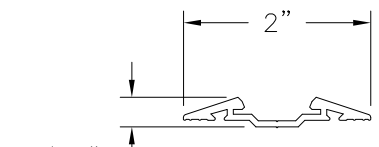
**HEAVY SILL
FILLER (33546)**



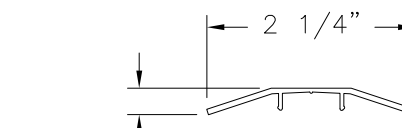
SNAP COVER (34791)



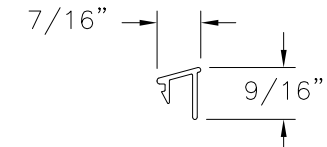
PRESSURE PLATE (34792)



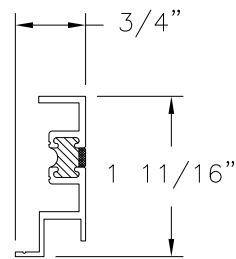
**BEVELED BAR
CAP (30442)**



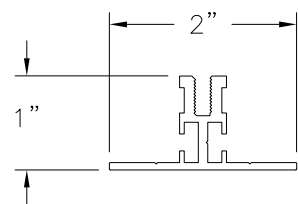
**BEVELED CAP
COVER (34399)**



WEDGE



JAMB FILLER (30697)



MUNTIN

SIGNED: 04/20/2020

SOLAR INNOVATIONS, INC. 31 ROBERTS RD PINE GROVE, PA 17963		
SERIES SI5100 ALUMINUM FIXED WINDOW NON-IMPACT COMPONENTS		
DRAWN: A.R.	DWG NO. 08-03448	REV A
SCALE NTS	DATE 06/18/19	SHEET 8 OF 8
L. ROBERTO LOMAS P.E. 1432 WOODFORD RD LEWISVILLE, NC 27023 434-688-0609 rllomas@rlomaspe.com		



Luis R. Lomas P.E.
TX No.: 101889