



A DIVISION OF SUNRISE WINDOWS, LTD.

Horizontal Sliding Window

"NON-IMPACT"

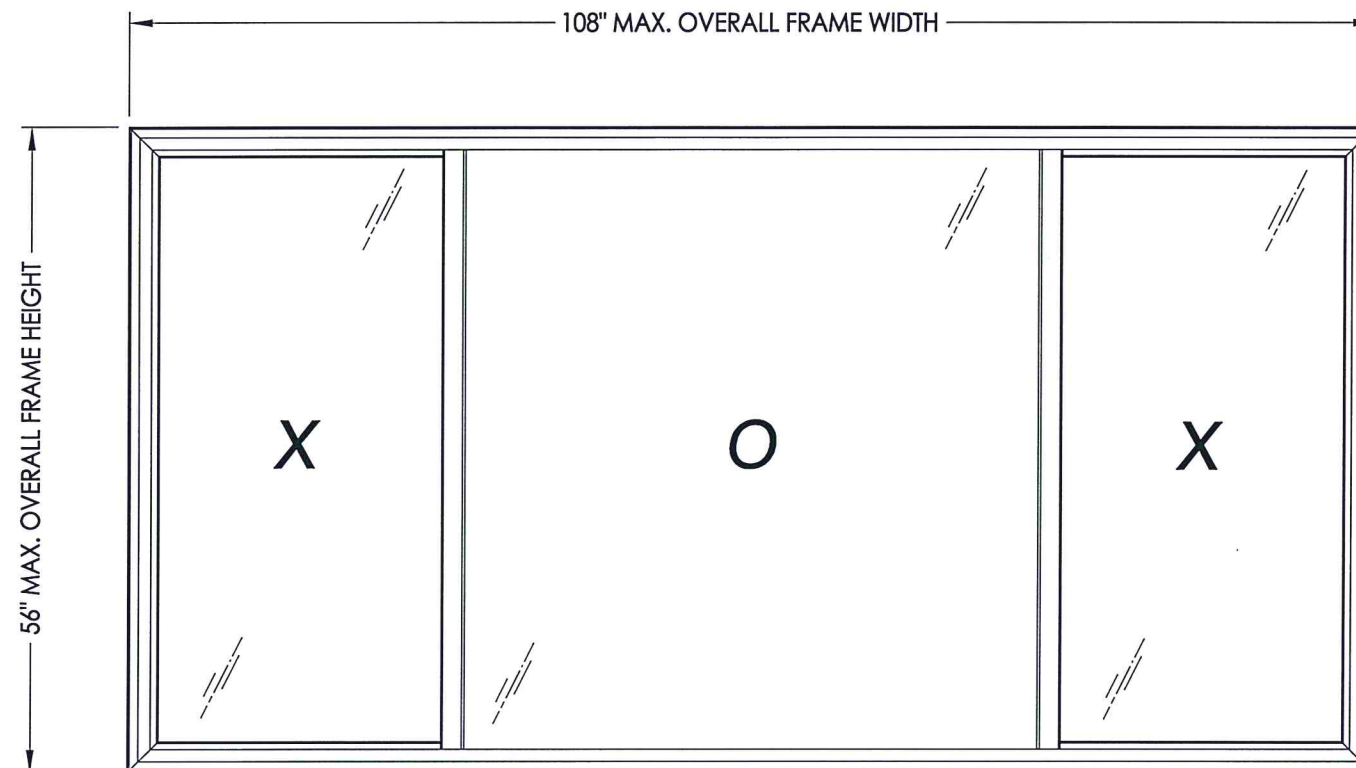
EVALUATED FOR USE IN THE STATE OF TEXAS

The Horizontal Sliding Window described herein complies with the 2018 International Residential Code (IRC), Sections R301 & R609 and the 2018 International Building Code (IBC), Sections 1404.13, 1609, 1709.5, 2403 and 2404 subject to the following conditions:

1. Anchors shall be as listed and spaced as shown in the details. Anchor embedment to base material shall be beyond roof covering.
2. When used in areas requiring wind-borne debris protection this product is required to be protected with an impact resistant covering that complies with Section R301.2.1.2 of the IRC and Section 1609.2 of the IBC.
3. Allowable design pressure requirements must be equal to or less than the design pressure rating shown in the design pressure chart, sheet 1 of this drawing.
4. Conditions not covered by this drawing are subject to further engineering analysis.

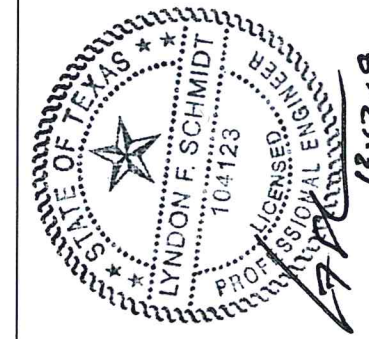
TABLE OF CONTENTS

SHEET #	DESCRIPTION
1	Typical Elevations, Design Pressures & General Notes
2	Frame Anchoring & Cross Sections
3	Components
4	Bill of Materials & Glazing Details



MAX. OVERALL FRAME DIMENSION	MAX DAY LITE DIMENSION (OPERABLE)	MAX DAY LITE DIMENSION (FIXED)	GLASS TYPE	DESIGN PRESSURE (PSF)	
				POS.	NEG.
108.0" X 56.0"	23.56" X 50.5"	52.13" X 50.63"	G1	+25.0	-40.0
				+35.0*	-40.0

* REQUIRES MODIFIED WEEP HOLES (PER MANUFACTURER) FOR POSITIVE DESIGN PRESSURES > 25 PSF.



Documents Prepared By: Lyndon F. Schmidt, P.E.
TEXAS P.E. #104123

RW BUILDING CONSULTANTS, INC.
P.O. Box 230 Valrico FL 33595
Phone No.: 813.659.9197
TEXAS BOARD OF PROFESSIONAL ENGINEERS
CERTIFICATE OF REGISTRATION # F-11852

PRODUCT: HORIZONTAL SLIDING WINDOW
PART OR ASSEMBLY: TYPICAL ELEVATION, DESIGN PRESSURES & GENERAL NOTES

NO.	DATE	BY	REVISIONS

DATE: 12/17/19

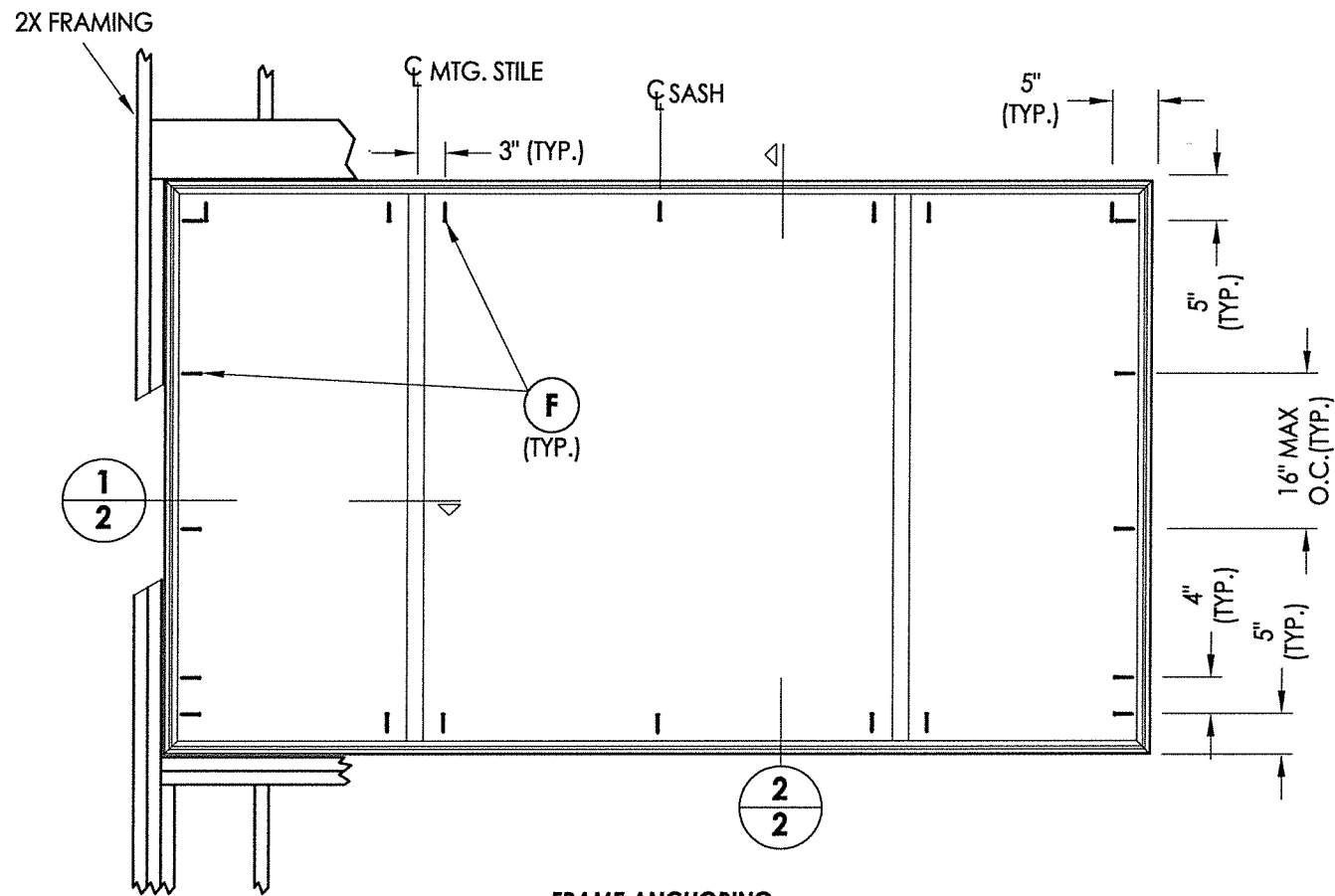
SCALE: N.T.S.

DWG. BY: TRJ

CHK. BY: LFS

DRAWING NO.: TX-4971

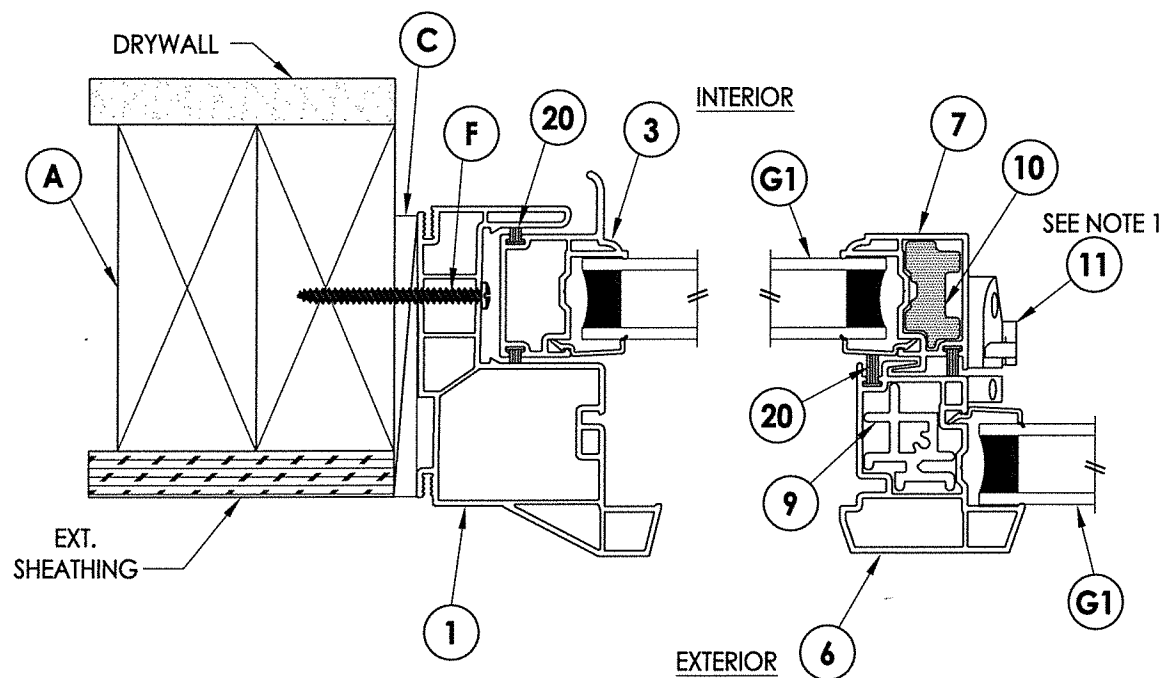
SHEET 1 OF 4



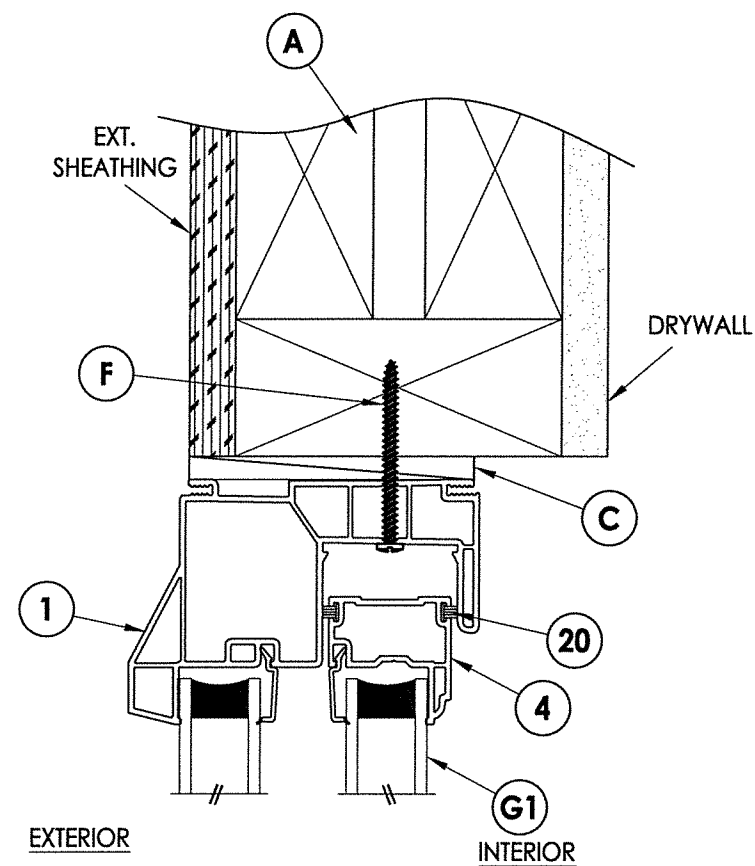
FRAME ANCHORING

NOTE:

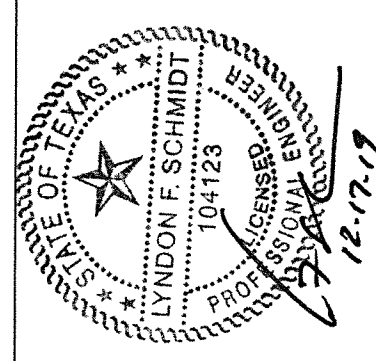
1. Lock and keeper located 9" from each end of lock/meeting stile.



1 HORIZONTAL CROSS SECTION



2 VERTICAL CROSS SECTION



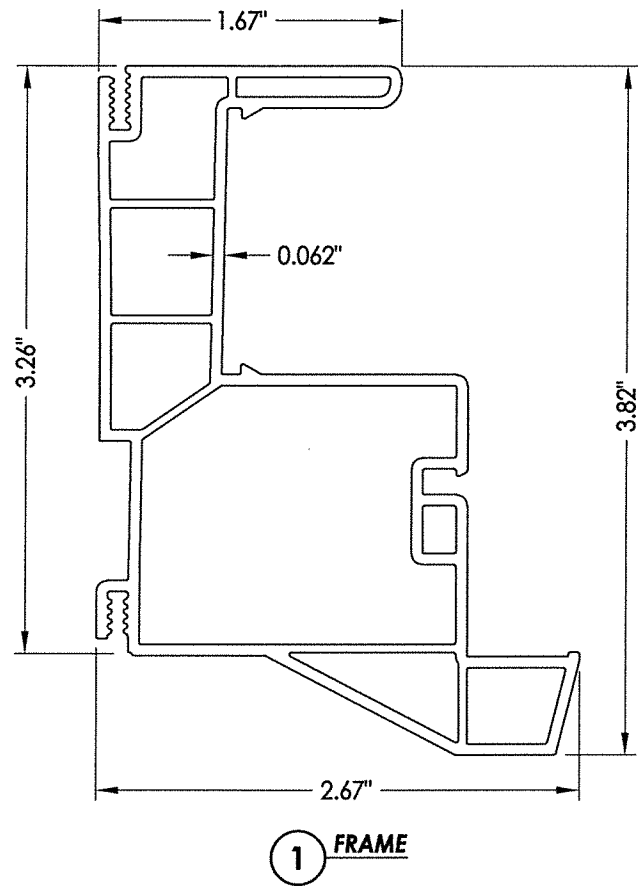
Documents Prepared By: Lyndon F. Schmidt, P.E.
TEXAS P.E. #104123

RW BUILDING CONSULTANTS, INC.
P.O. Box 230 Valrico FL 33595
Phone No.: 813.659.9197
TEXAS BOARD OF PROFESSIONAL ENGINEERS
CERTIFICATE OF REGISTRATION # F-11852

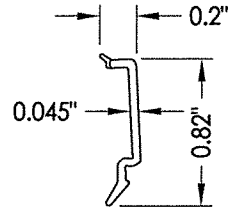
PRODUCT:	HORIZONTAL SLIDING WINDOW
PART OR ASSEMBLY:	FRAME ANCHORING & CROSS SECTIONS

NO.	DATE	BY	REVISIONS

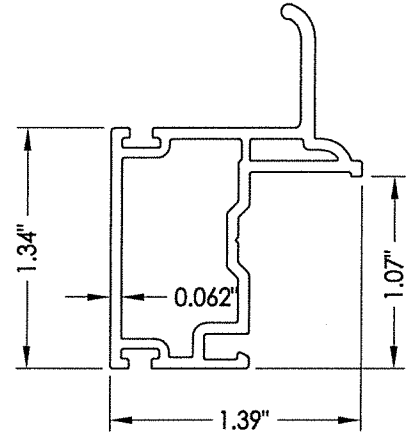
DATE:	12/17/19
SCALE:	N.T.S.
DWG. BY:	TRJ
CHK. BY:	LFS
DRAWING NO.:	TX-4971
SHEET	2 OF 4



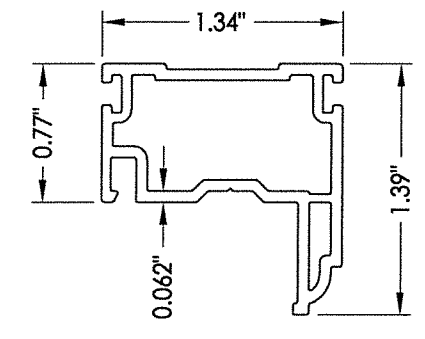
1 FRAME



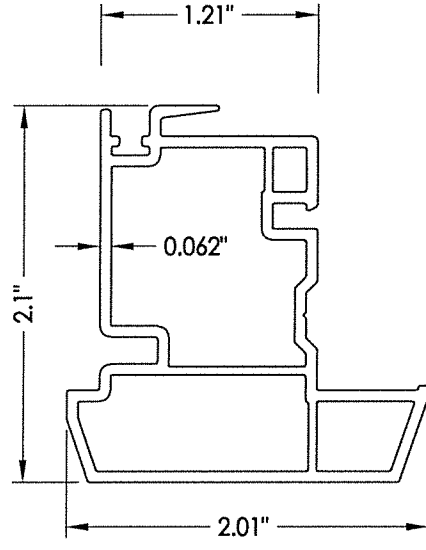
2 GLAZING BEAD



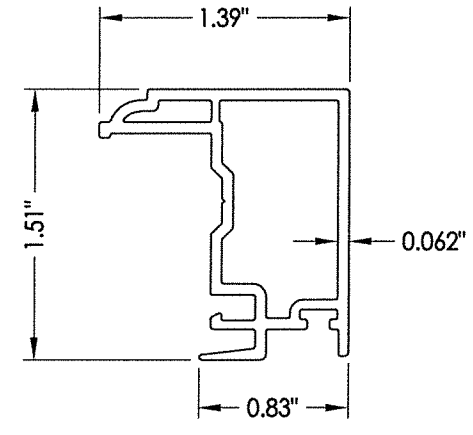
3 PULL STILE



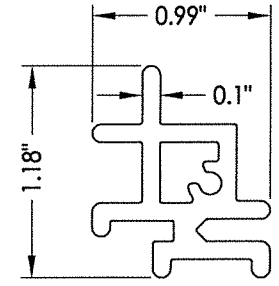
4 TOP & BOTTOM RAIL



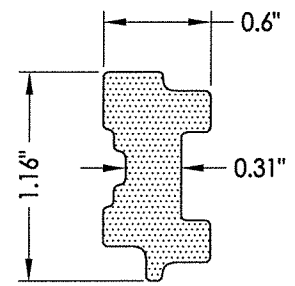
6 MEETING STILE



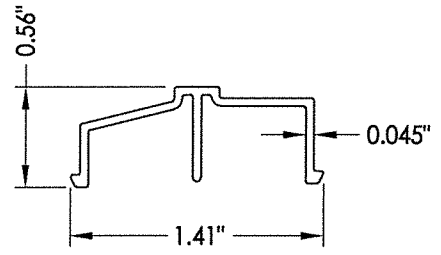
7 LOCK STILE



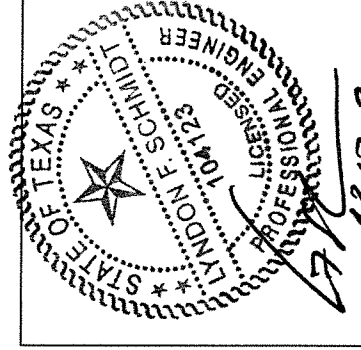
9 MEETING STILE REINFORCEMENT



10 LOCK STILE REINFORCEMENT



16 ROLLER TRACK



Documents Prepared By: Lyndon F. Schmidt, P.E.
TEXAS P.E. #104123

RW BUILDING CONSULTANTS, INC.
P.O. Box 230 Valrico FL, 33595
Phone No.: 813.659.9197

TEXAS BOARD OF PROFESSIONAL ENGINEERS
CERTIFICATE OF REGISTRATION # F-11852

PRODUCT: HORIZONTAL SLIDING WINDOW

PART OR ASSEMBLY: COMPONENTS

NO.	DATE	BY	REVISIONS

DATE: 12/17/19

SCALE: N.T.S.

DWG. BY: TRJ

CHK. BY: LFS

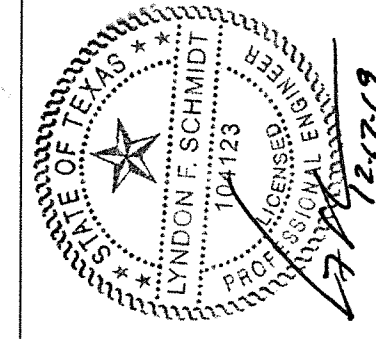
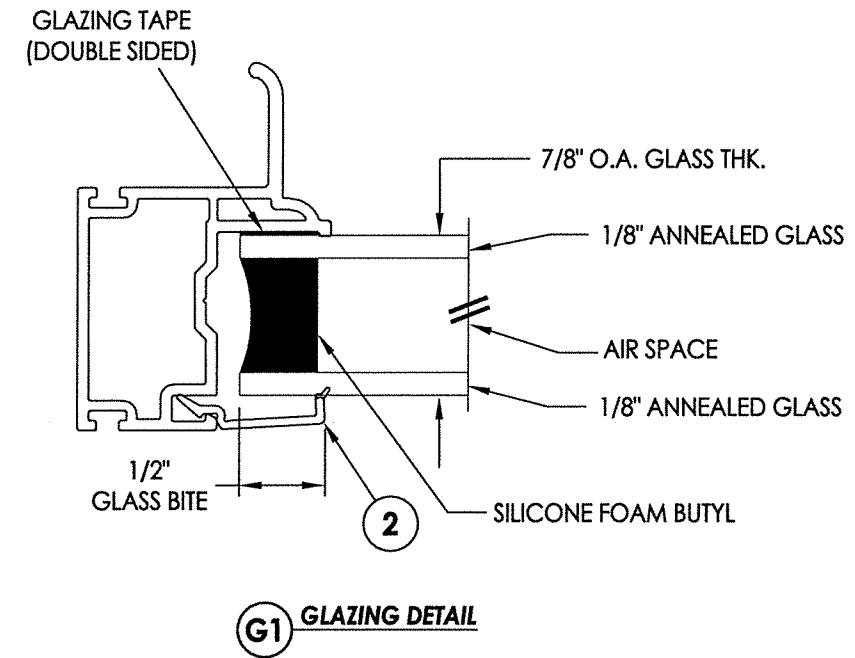
DRAWING NO.: TX-4971

SHEET 3 OF 4

BILL OF MATERIALS

ITEM #	DESCRIPTION	MATERIAL
A	2X FRAMING (SG >= 0.42)	WOOD
C	1/4" MAX. SHIM SPACE	-
F	#10 X 2-1/2" PPH SMS (1-1/4" MIN. EMBEDMENT)	STEEL
1	EXTRUDED VINYL FRAME (784F)*	RIGID PVC
2	EXTRUDED VINYL GLAZING BEAD (716A)*	RIGID PVC
3	EXTRUDED VINYL PULL STILE (915)*	RIGID PVC
4	EXTRUDED VINYL TOP & BOTTOM RAIL (909)*	RIGID PVC
6	EXTRUDED VINYL MEETING STILE (777)*	RIGID PVC
7	EXTRUDED VINYL LOCK STILE (906)*	RIGID PVC
9	MEETING STILE REINFORCEMENT (739)	ALUM
10	LOCK STILE REINFORCEMENT (948)	COMPOSITE
11	SASH LOCK	-
12	KEEPER	-
14	ROLLER	-
16	ROLLER TRACK (747)*	RIGID PVC
20	WEATHERSTRIP	-

* THE APPROVED WHITE RIGID PVC EXTERIOR EXTRUSIONS FOR WINDOWS ARE TO BE PRODUCED BY EXTRUDERS LICENSEES IN "AAMA CERTIFICATION PROGRAMS FOR RIGID PVC EXTRUSIONS".



Documents Prepared By: Lyndon F. Schmidt, P.E.
TEXAS P.E. #104123

RW BUILDING CONSULTANTS, INC.
P.O. Box 230 Varico FL 33595
Phone No.: 813.659.9197
TEXAS BOARD OF PROFESSIONAL ENGINEERS
CERTIFICATE OF REGISTRATION # F-11852

PRODUCT: HORIZONTAL SLIDING WINDOW

PART OR ASSEMBLY: BILL OF MATERIALS & GLAZING DETAILS

NO.	DATE	BY	REVISIONS

DATE: 12/17/19
SCALE: N.T.S.
DWG. BY: TRJ
CHK. BY: LFS
DRAWING NO.: TX-4971
SHEET 4 OF 4