

**COASTAL  
PERFORMANCE™**  
by Sunrise Windows, LTD.

# Coastal Performance Horizontal Sliding Window "NON-IMPACT"

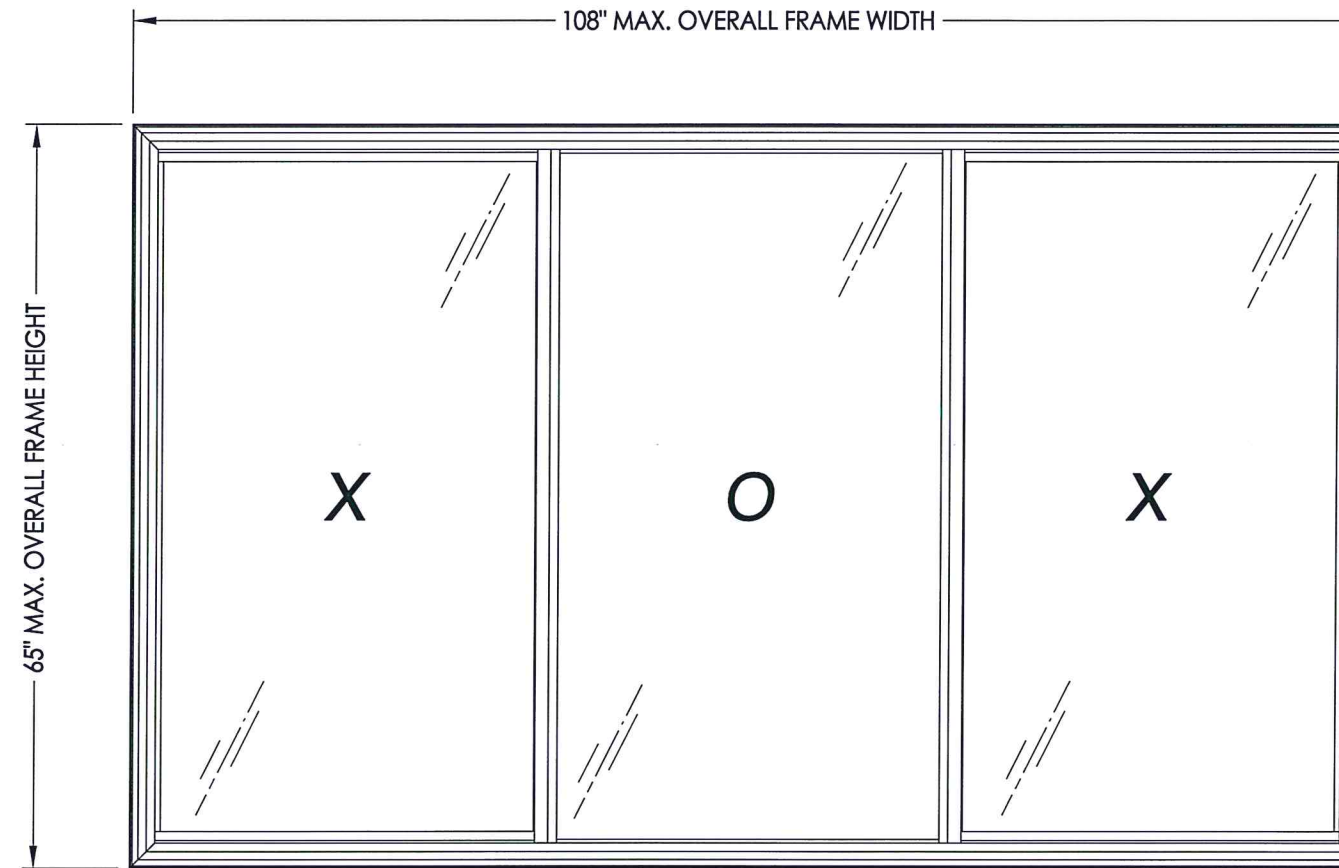
### EVALUATED FOR USE IN THE STATE OF TEXAS

The Horizontal Sliding Window described herein complies with the 2018 International Residential Code (IRC), Sections R301 & R609 and the 2018 International Building Code (IBC), Sections 1404.13, 1609, 1709.5, 2403 and 2404 subject to the following conditions:

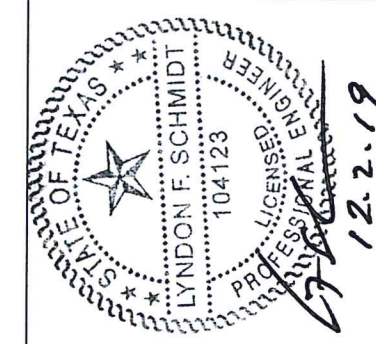
1. Anchors shall be as listed and spaced as shown in the details. Anchor embedment to base material shall be beyond roof covering.
2. When used in areas requiring wind-borne debris protection this product is required to be protected with an impact resistant covering that complies with Section R301.2.1.2 of the IRC and Section 1609.2 of the IBC.
3. Allowable design pressure requirements must be equal to or less than the design pressure rating shown in the design pressure chart, sheet 1 of this drawing.
4. Conditions not covered by this drawing are subject to further engineering analysis.

### TABLE OF CONTENTS

SHEET #	DESCRIPTION
1	Typical Elevations, Design Pressures & General Notes
2	Frame Anchoring & Cross Sections
3	Components
4	Bill of Materials, Components & Glazing Details



MAX. OVERALL FRAME DIMENSION	MAX DAY LITE DIMENSION (OPERABLE)	MAX DAY LITE DIMENSION (FIXED)	GLASS TYPE	DESIGN PRESSURE (PSF)	
				POS.	NEG.
108.0" X 65.0"	32.63" X 58.31"	32.5" X 60.31"	G1	+50.0	-55.0



Documents Prepared By: Lyndon F. Schmidt, P.E.  
TEXAS P.E. #104123

**RW** BUILDING CONSULTANTS, INC.  
P.O. Box 230 Valrico FL 33595  
Phone No.: 813.659.9197

TEXAS BOARD OF PROFESSIONAL ENGINEERS  
CERTIFICATE OF REGISTRATION # F-11852

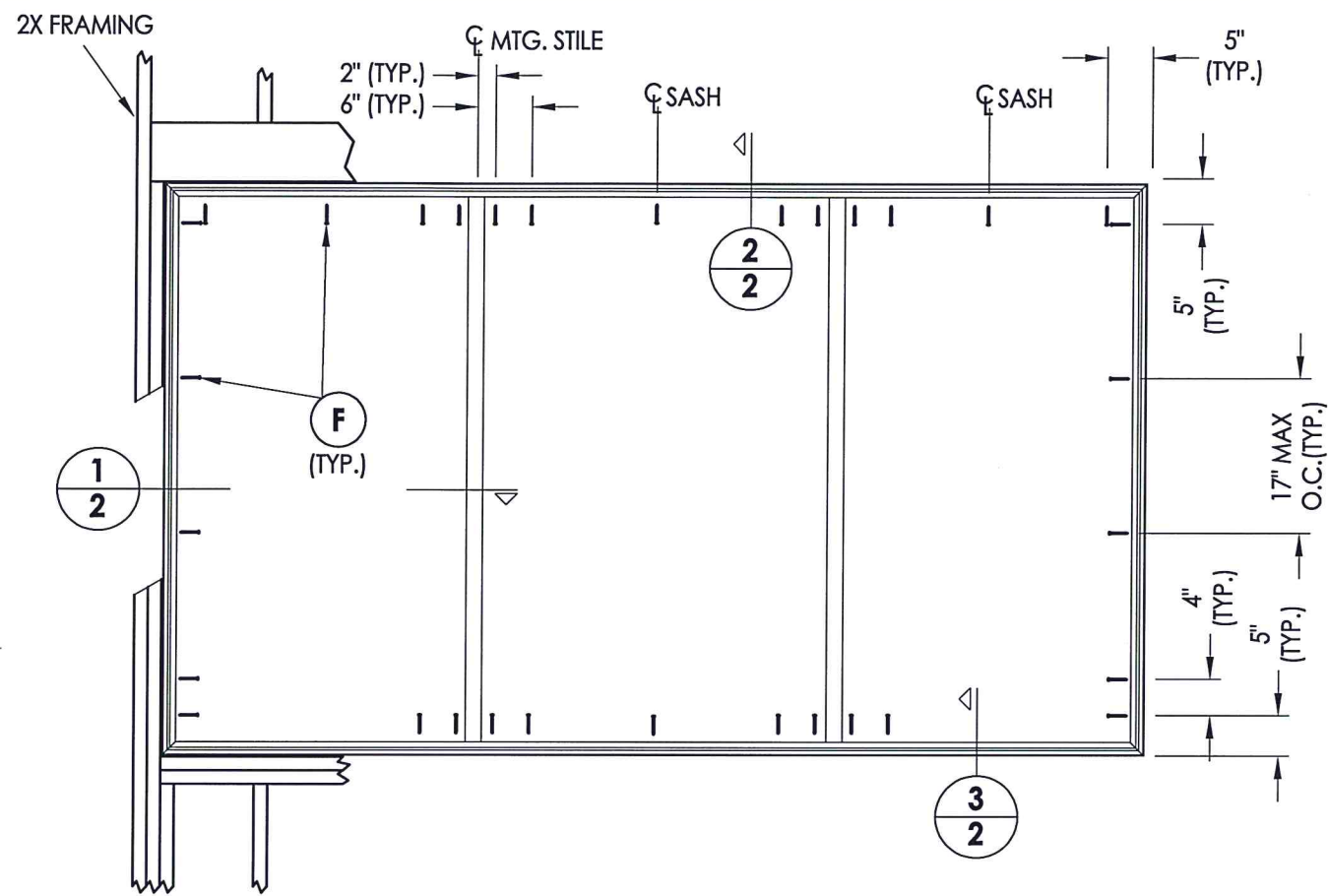
PRODUCT: HORIZONTAL SLIDING WINDOW  
PART OR ASSEMBLY: TYPICAL ELEVATION, DESIGN PRESSURES & GENERAL NOTES

NO.	DATE	BY	REVISIONS

DATE: 11/05/19  
SCALE: N.T.S.  
DWG. BY: TRJ  
CHK. BY: LFS  
DRAWING NO.: TX-4955  
SHEET 1 OF 4



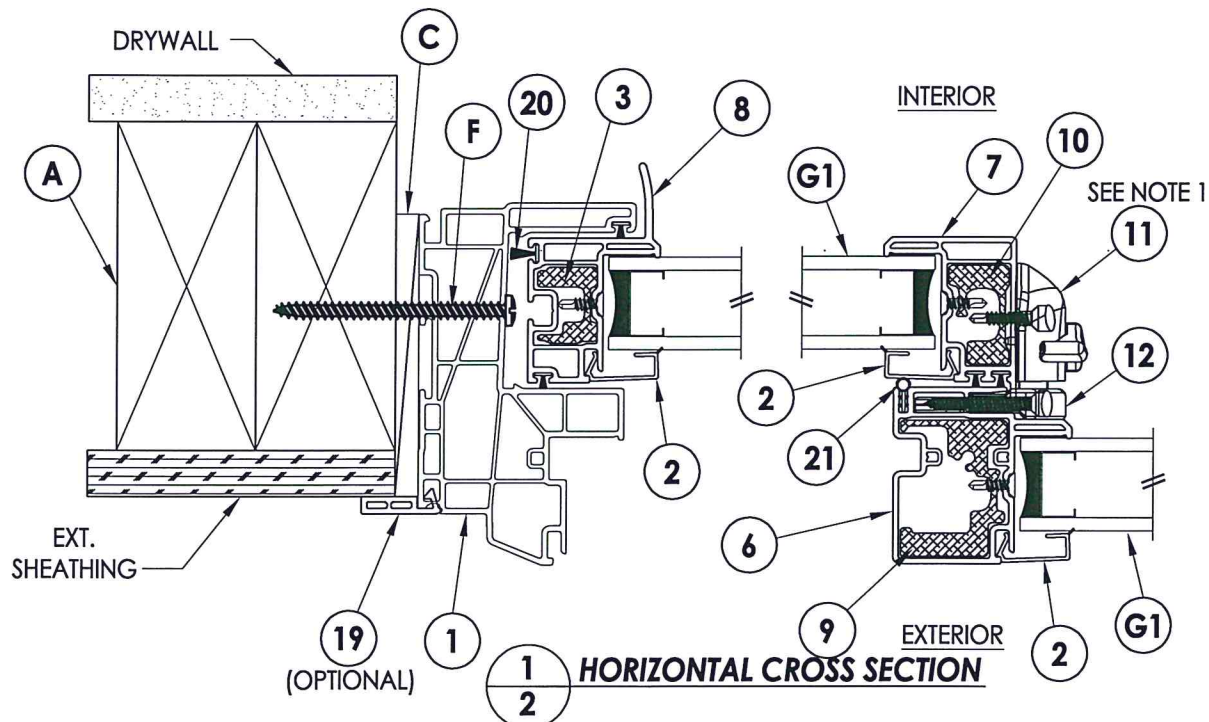
R:\Clients\Sunrise Windows\B - Texas Dept of Ins\TDI - XXX CP Horizontal Slider Window\C - Drawings\TX-4954-55.dwg, 2



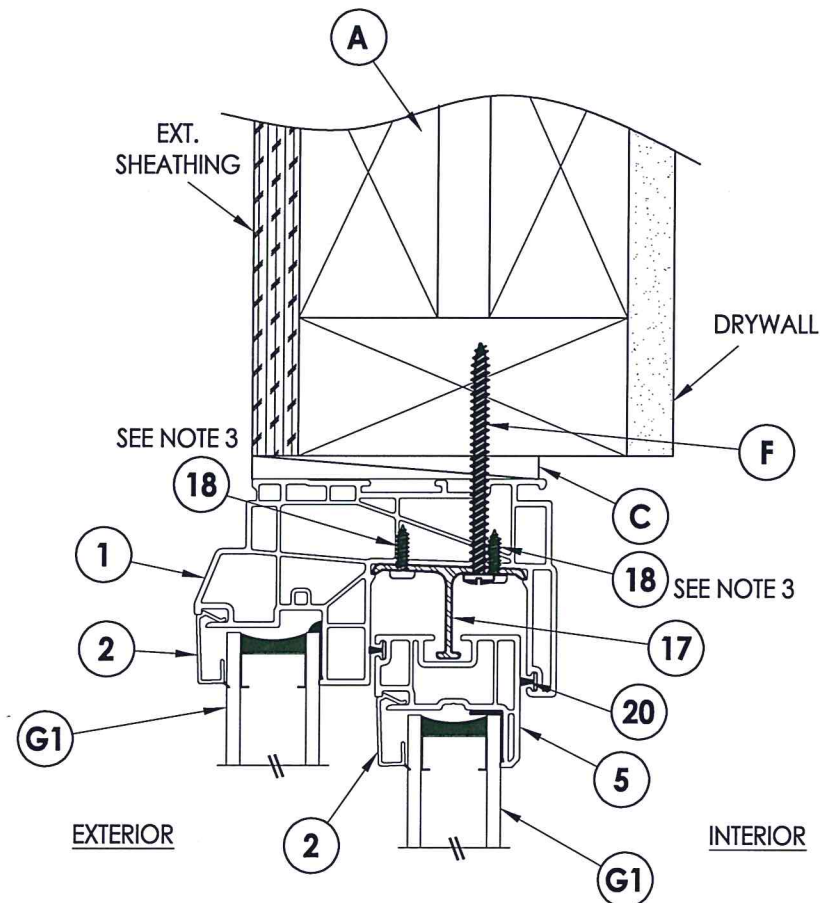
**FRAME ANCHORING**

**NOTES:**

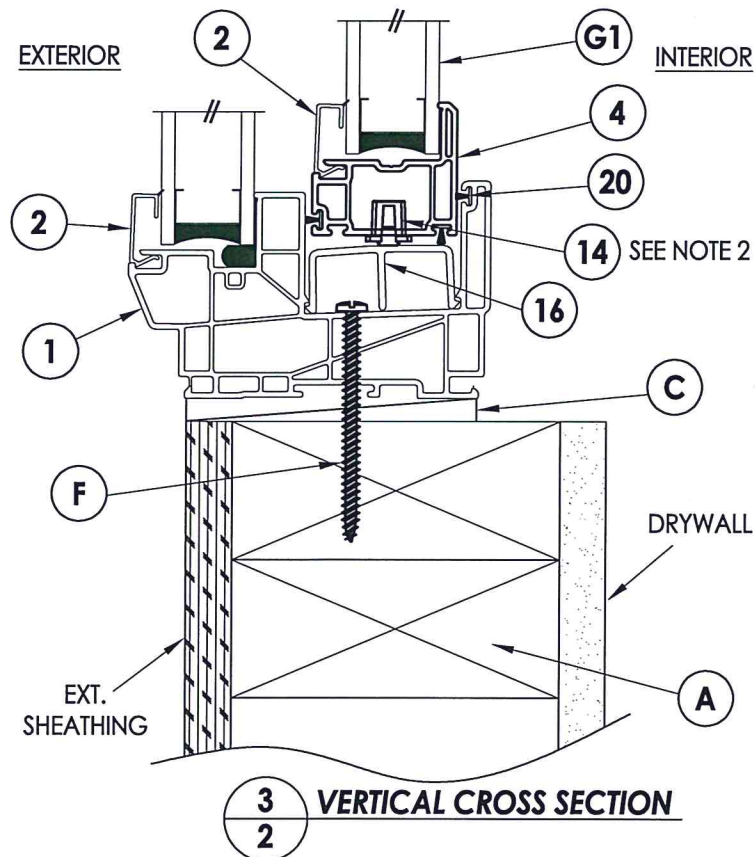
1. Lock and keeper located 7" from each end of lock/meeting stile.
2. Metal roller assembly located 2" from each end of the bottom rail.
3. Anti-lift secured to head with (2) #10 X 2-1/2" PH SMS & (4) #8 X 1" PPH SMS.



**HORIZONTAL CROSS SECTION**



**VERTICAL CROSS SECTION**



**VERTICAL CROSS SECTION**



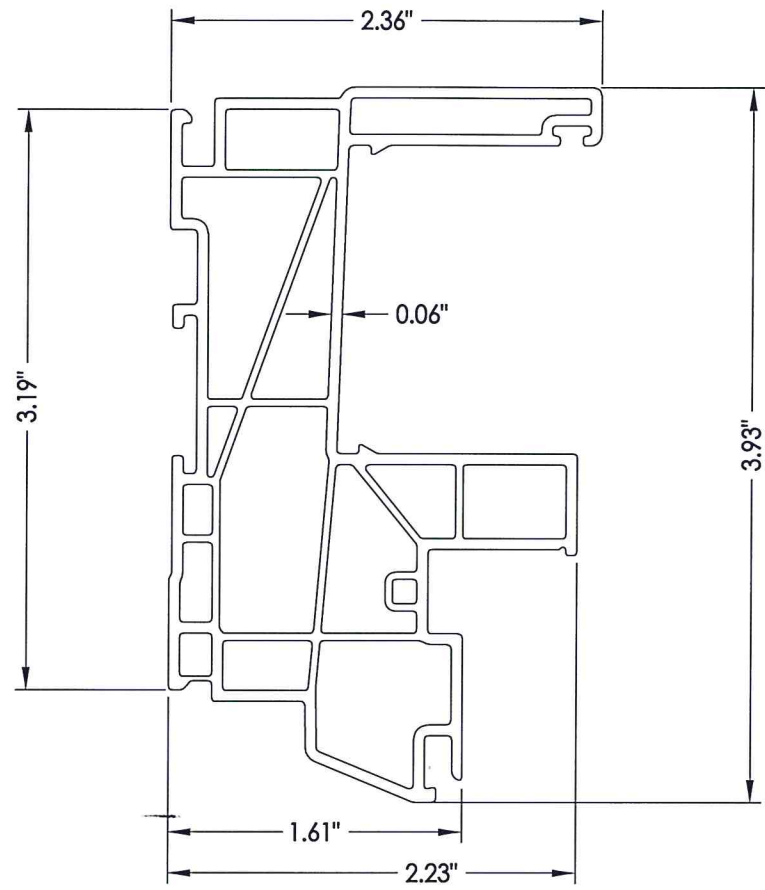
Documents Prepared By: Lyndon F. Schmidt, P.E.  
TEXAS P.E. #104123

**RW** BUILDING CONSULTANTS, INC.  
P.O. Box 230 Valrico FL, 33595  
Phone No.: 813.659.9197  
TEXAS BOARD OF PROFESSIONAL ENGINEERS  
CERTIFICATE OF REGISTRATION # F-11852

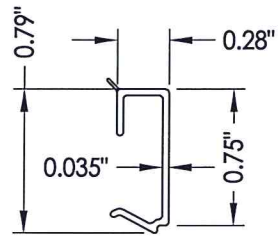
PRODUCT: HORIZONTAL SLIDING WINDOW  
PART OR ASSEMBLY: FRAME ANCHORING & CROSS SECTIONS

NO.	DATE	BY	REVISIONS

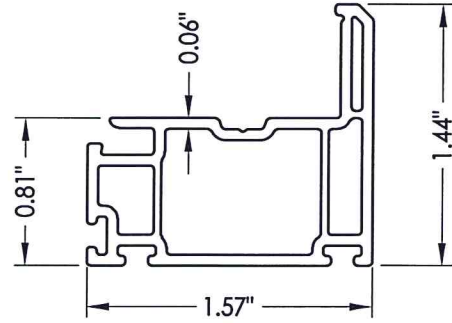
DATE: 11/05/19  
SCALE: N.T.S.  
DWG. BY: TRJ  
CHK. BY: LFS  
DRAWING NO.: TX-4955  
SHEET 2 OF 4



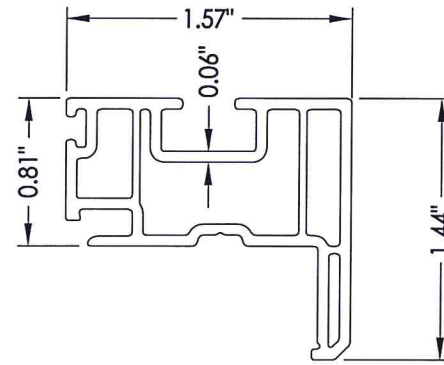
**1** FRAME



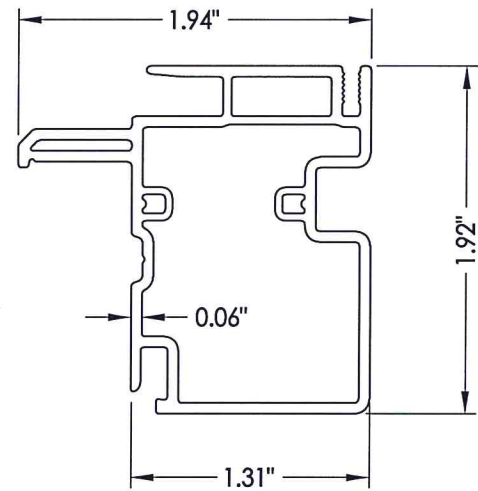
**2** GLAZING BEAD



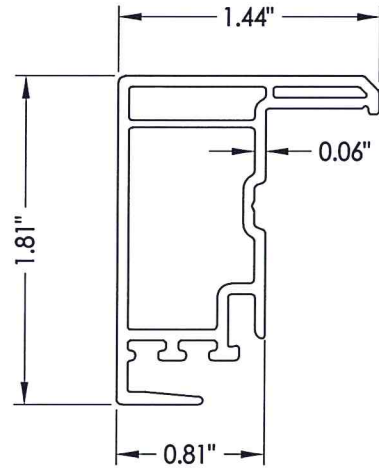
**4** BOTTOM RAIL



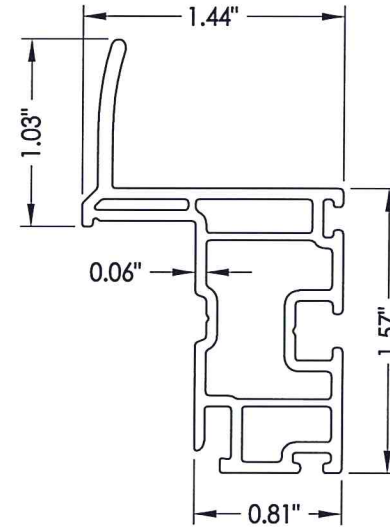
**5** TOP RAIL



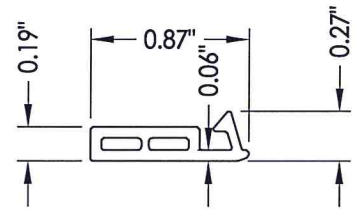
**6** MEETING STILE



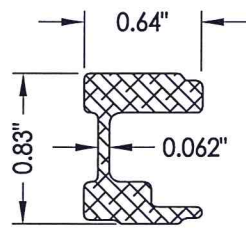
**7** LOCK STILE



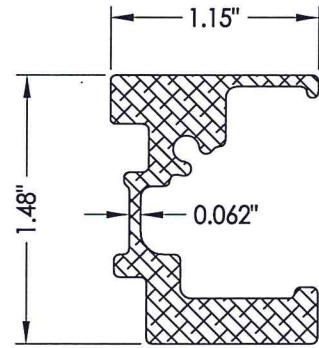
**8** HANDLE STILE



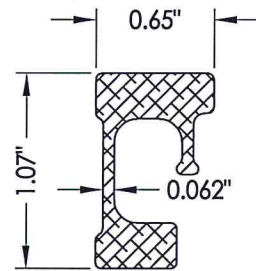
**19** FLORIDA FLANGE  
(Optional)



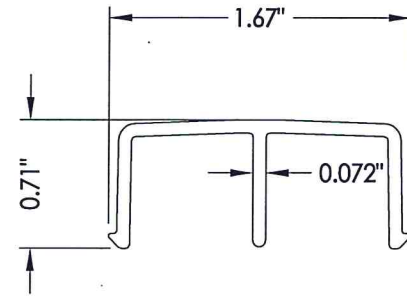
**3** HANDLE STILE REINFORCEMENT



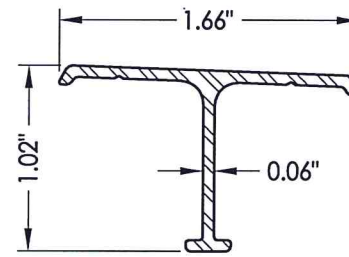
**9** MEETING STILE REINFORCEMENT



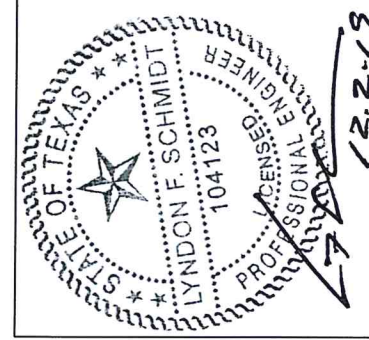
**10** LOCK STILE REINFORCEMENT



**16** ROLLER TRACK



**17** ANTI-LIFT



Documents Prepared By: Lyndon F. Schmidt, P.E.  
TEXAS P.E. #104123

**RW** BUILDING CONSULTANTS, INC.  
P.O. Box 230 Valrico FL, 33595  
Phone No.: 813.659.9197  
TEXAS BOARD OF PROFESSIONAL ENGINEERS  
CERTIFICATE OF REGISTRATION # F-11852

PRODUCT: HORIZONTAL SLIDING WINDOW

PART OR ASSEMBLY:

COMPONENTS

NO.	DATE	BY	REVISIONS

DATE: 11/05/19

SCALE: N.T.S.

DWG. BY: TRJ

CHK. BY: LFS

DRAWING NO.:

TX-4955

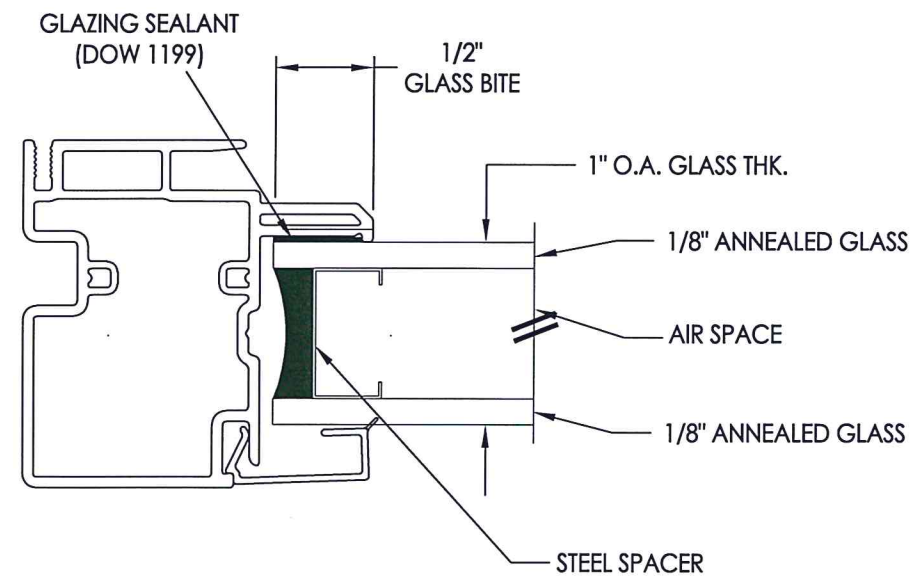
SHEET 3 OF 4



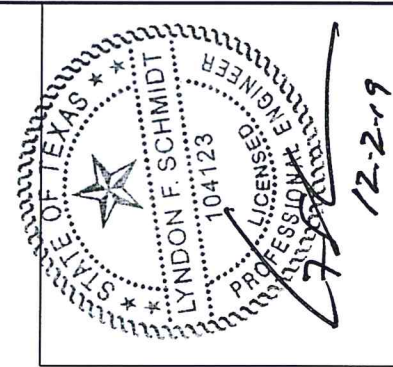
**BILL OF MATERIALS**

ITEM #	DESCRIPTION	MATERIAL
A	2X FRAMING (SG >= 0.42)	WOOD
C	1/4" MAX. SHIM SPACE	-
F	#10 X 2-1/2" PPH SMS (1-1/4" MIN. EMBEDMENT)	STEEL
1	EXTRUDED VINYL FRAME (1834)*	RIGID PVC
2	EXTRUDED VINYL GLAZING BEAD (836B)*	RIGID PVC
3	HANDLE STILE REINFORCEMENT (16579)	6063 - T5 ALUM
4	BOTTOM RAIL (1808)*	RIGID PVC
5	TOP RAIL (1879)*	RIGID PVC
6	MEETING STILE (1837)*	RIGID PVC
7	LOCK STILE (1806)*	RIGID PVC
8	HANDLE STILE (1805)*	RIGID PVC
9	MEETING STILE REINFORCEMENT (16943)	6063 - T5 ALUM
10	LOCK STILE REINFORCEMENT (16582)	6063 - T5 ALUM
11	SASH LOCK	-
12	KEEPER	-
14	ROLLER (VISION #1147)	-
16	ROLLER TRACK	6063 - T5 ALUM
17	ANTI-LIFT ALUMINUM	6063 - T5 ALUM
19	FLORIDA FLANGE (1859)*	RIGID PVC
20	WEATHERSTRIP	-
21	INTERLOCK SEAL	-

\* THE APPROVED WHITE RIGID PVC EXTERIOR EXTRUSIONS FOR WINDOWS ARE TO BE PRODUCED BY EXTRUDERS LICENSEES IN "AAMA CERTIFICATION PROGRAMS FOR RIGID PVC EXTRUSIONS".



**G1 GLAZING DETAIL**



Documents Prepared By: Lyndon F. Schmidt, P.E.  
TEXAS P.E. #104123

**R.W.** BUILDING CONSULTANTS, INC.  
P.O. Box 230 Valrico FL 33595  
Phone No.: 813.659.9197

TEXAS BOARD OF PROFESSIONAL ENGINEERS  
CERTIFICATE OF REGISTRATION # F-11852

PRODUCT: HORIZONTAL SLIDING WINDOW  
PART OR ASSEMBLY: BILL OF MATERIALS, COMPONENTS & GLAZING DETAILS

NO.	DATE	BY	REVISIONS

DATE: 11/05/19  
SCALE: N.T.S.  
DWG. BY: TRJ  
CHK. BY: LFS  
DRAWING NO.: TX-4955  
SHEET 4 OF 4