



A DIVISION OF SUNRISE WINDOWS, LTD.

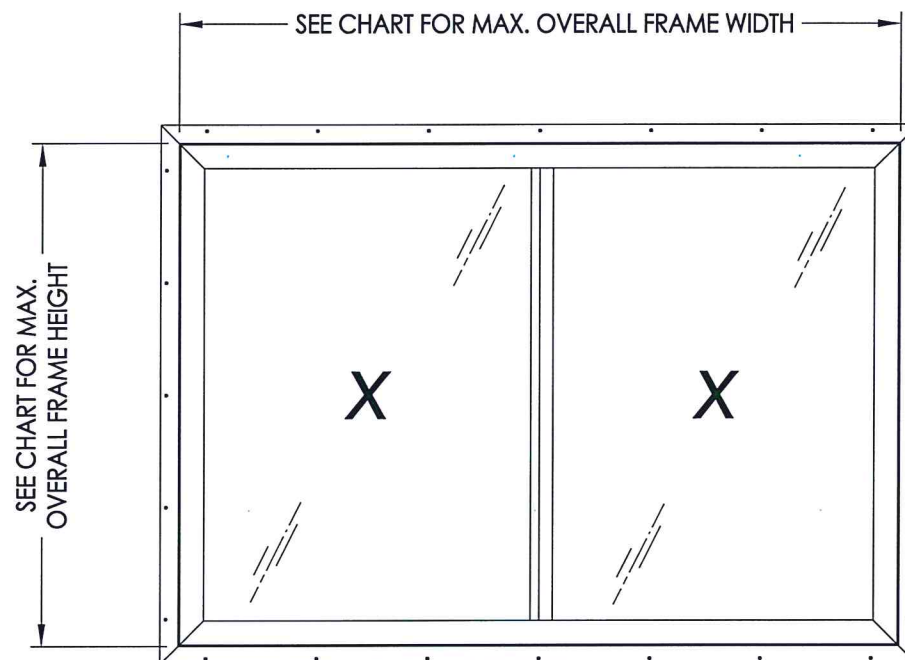
Horizontal Sliding Window w/ Nailing Fin "NON-IMPACT"

EVALUATED FOR USE IN THE STATE OF TEXAS

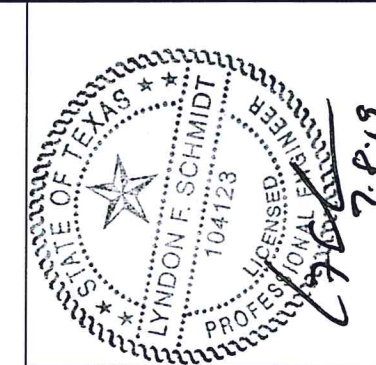
The Horizontal Sliding Window described herein complies with the 2006 International Residential Code (IRC), Sections R301 & R613 and the 2006 International Building Code (IBC), Sections 1405.12, 1609, 1714.5, 2403 and 2404 (including Texas revisions) subject to the following conditions:

1. Anchors shall be as listed and spaced as shown in the details. Anchor embedment to base material shall be beyond wall dressing or stucco.
2. When used in areas requiring wind-borne debris protection this product is required to be protected with an impact resistant covering that complies with Section R301.2.1.2 of the IRC and Section 1609.1.2 of the IBC.
3. Allowable design pressure requirements must be equal to or less than the design pressure rating shown in the design pressure chart, sheet 1 of this drawing.
4. Conditions not covered by this drawing are subject to further engineering analysis.

TABLE OF CONTENTS	
SHEET #	DESCRIPTION
1	Typical Elevations, Design Pressures & General Notes
2	Frame Anchoring & Cross Section
3	Components
4	Bill of Materials & Glazing Details



MAX. OVERALL FIN DIMENSION	MAX. OVERALL FRAME DIMENSION	MAX. DAY LITE DIMENSION	REINFORCEMENT MATERIAL	GLASS TYPE	DESIGN PRESSURE (PSF)	
					POS.	NEG.
66.14" X 47.14"	63.0" X 44.0"	28.125" X 37.125"	ALUMINUM	G1	+45.0	-45.0
66.14" X 47.14"	63.0" X 44.0"	28.125" X 37.125"	COMPOSITE	G1	+40.0	-40.0



Documents Prepared By: Lyndon F. Schmidt, P.E.
TEXAS P.E. #104123

RW BUILDING CONSULTANTS, INC.
P.O. Box 230 Valrico FL 33595
Phone No.: 813.659.9197
TEXAS BOARD OF PROFESSIONAL ENGINEERS
CERTIFICATE OF REGISTRATION # F-11852

PRODUCT: HORIZONTAL SLIDING WINDOW
PART OR ASSEMBLY: TYPICAL ELEVATION, DESIGN PRESSURES & GENERAL NOTES

NO.	DATE	BY	REVISIONS

DATE: 5/13/19

SCALE: N.T.S.

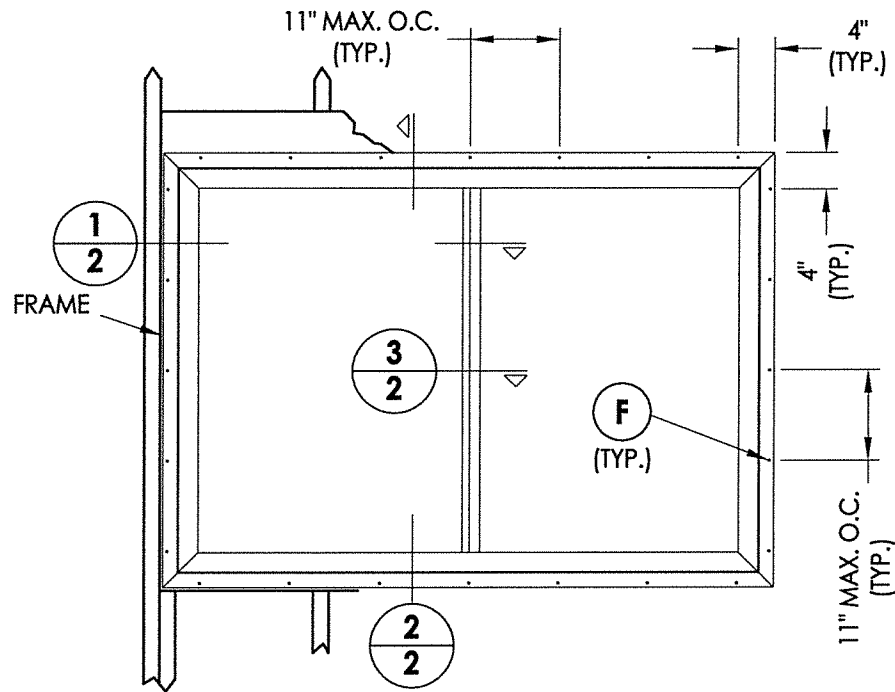
DWG. BY: TRJ

CHK. BY: LFS

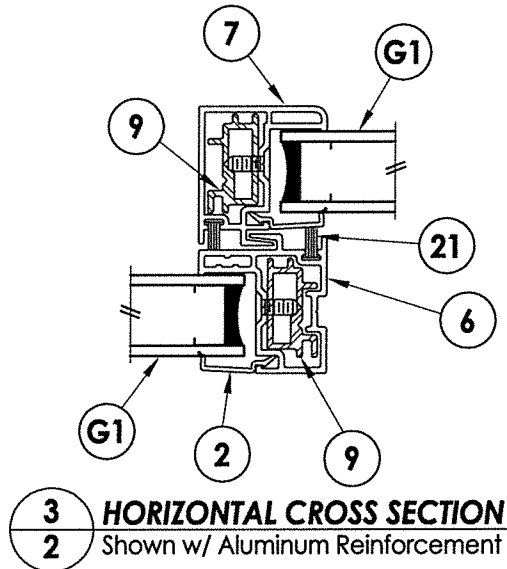
DRAWING NO.:

TX-4871

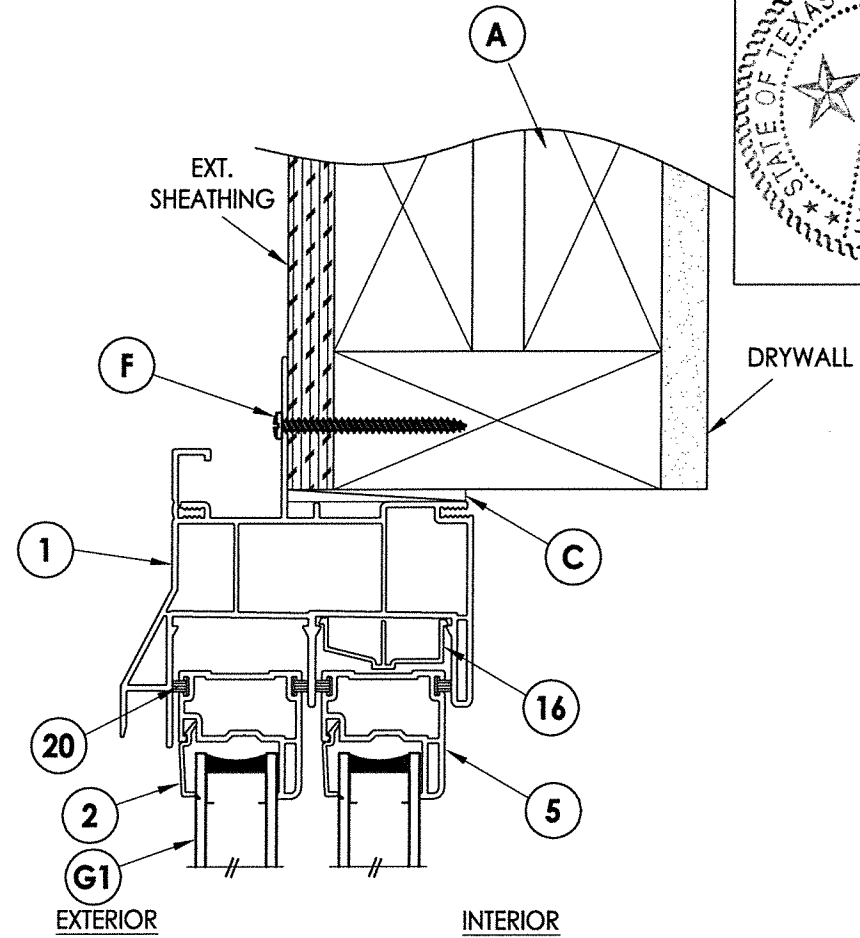
SHEET 1 OF 4



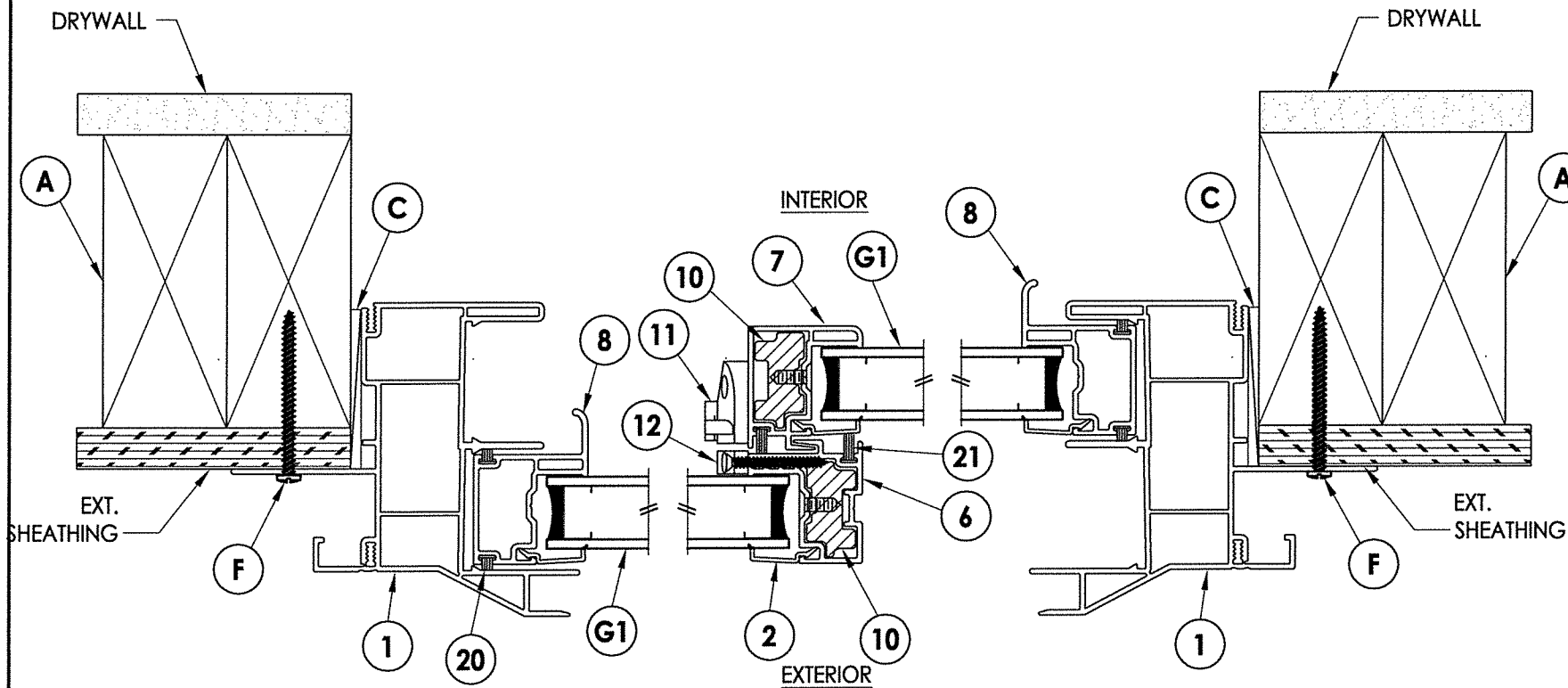
FRAME ANCHORING



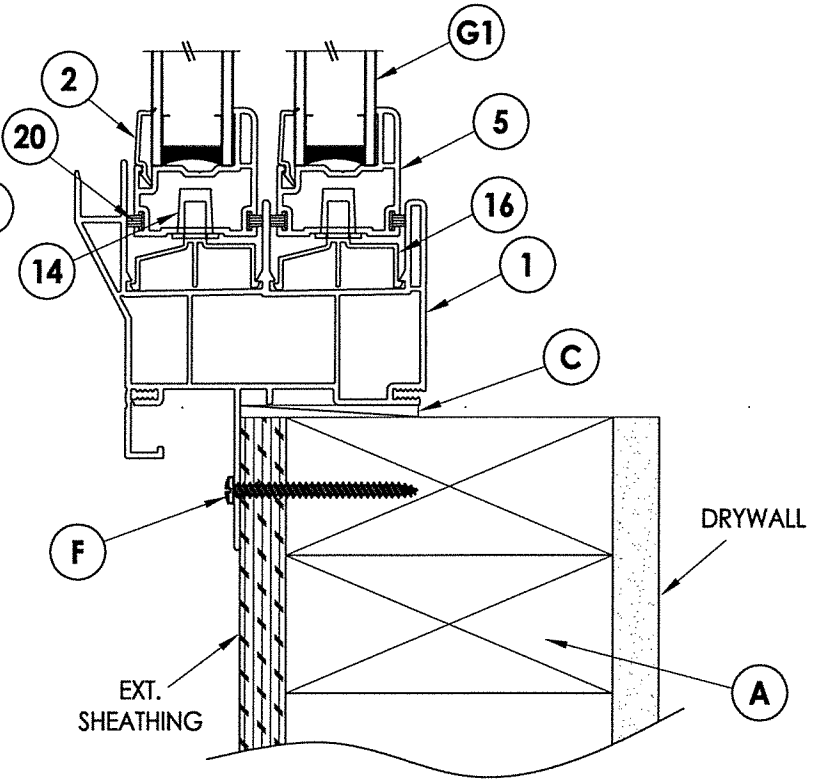
3 HORIZONTAL CROSS SECTION
2 Shown w/ Aluminum Reinforcement



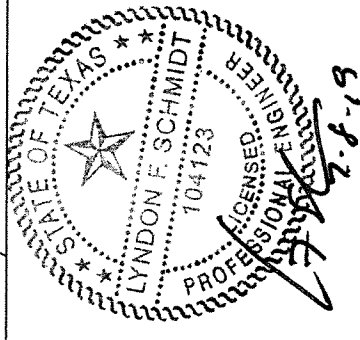
EXTERIOR INTERIOR



1 HORIZONTAL CROSS SECTION
2 2X Buck Masonry Construction
Shown w/ Composite Reinforcement



1 VERTICAL CROSS SECTION
2 2X Buck Masonry Construction



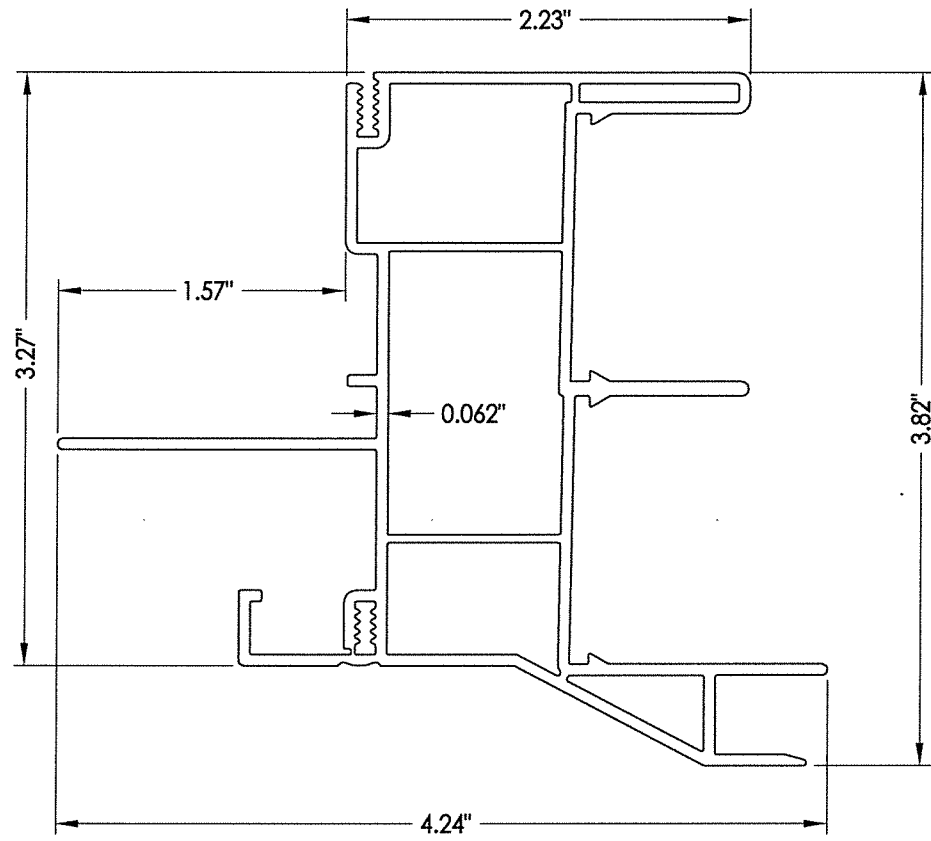
Documents Prepared By: Lyndon F. Schmidt, P.E.
TEXAS P.E. #104123

RW BUILDING CONSULTANTS, INC.
P.O. Box 230 Valrico FL, 33595
Phone No.: 813.659.9197
TEXAS BOARD OF PROFESSIONAL ENGINEERS
CERTIFICATE OF REGISTRATION # F-11852

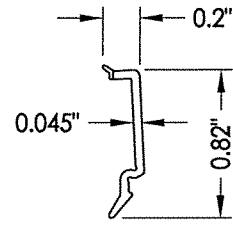
PRODUCT:	HORIZONTAL SLIDING WINDOW
PART OR ASSEMBLY:	FRAME ANCHORING & CROSS SECTION

NO.	DATE	BY	REVISIONS

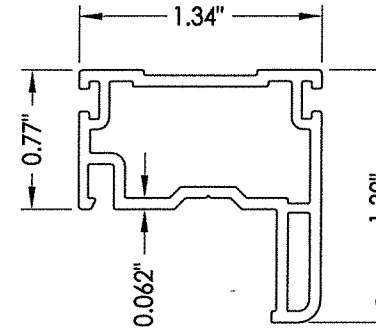
DATE:	5/13/19
SCALE:	N.T.S.
DWG. BY:	TRJ
CHK. BY:	LFS
DRAWING NO.:	TX-4871
SHEET	2 OF 4



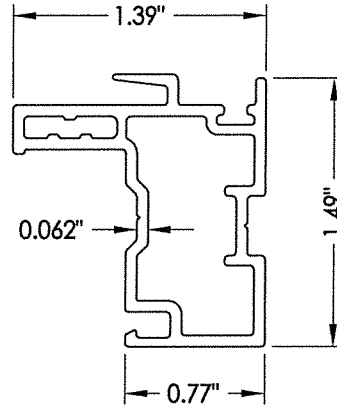
1 FRAME



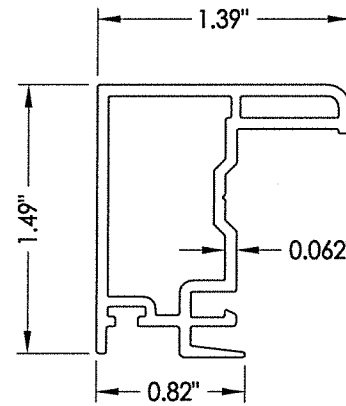
2 GLAZING BEAD



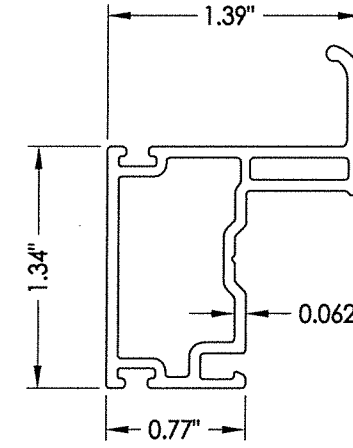
5 TOP & BOTTOM RAIL



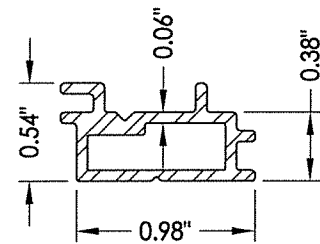
6 MEETING STILE



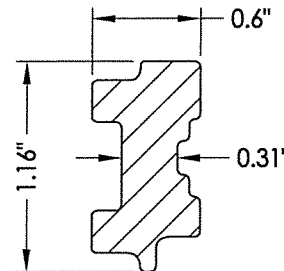
7 LOCK STILE



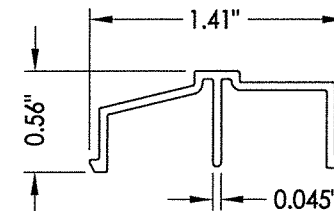
8 PULL STILE



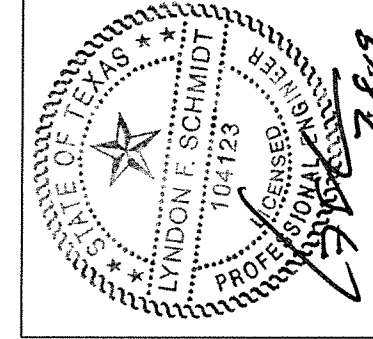
9 ALUMINUM REINFORCEMENT



10 COMPOSITE REINFORCEMENT



16 SILL TRACK/ANTI-LIFT BLOCK



Documents Prepared By: Lyndon F. Schmidt, P.E.
TEXAS P.E. #104123

RW BUILDING CONSULTANTS, INC.
P.O. Box 230 Vairico FL. 33595
Phone No.: 813.659.9197

TEXAS BOARD OF PROFESSIONAL ENGINEERS
CERTIFICATE OF REGISTRATION # F-11852

PRODUCT:
HORIZONTAL SLIDING WINDOW

PART OR ASSEMBLY:
COMPONENTS

NO.	DATE	BY

DATE: 5/13/19

SCALE: N.T.S.

DWG. BY: TRJ

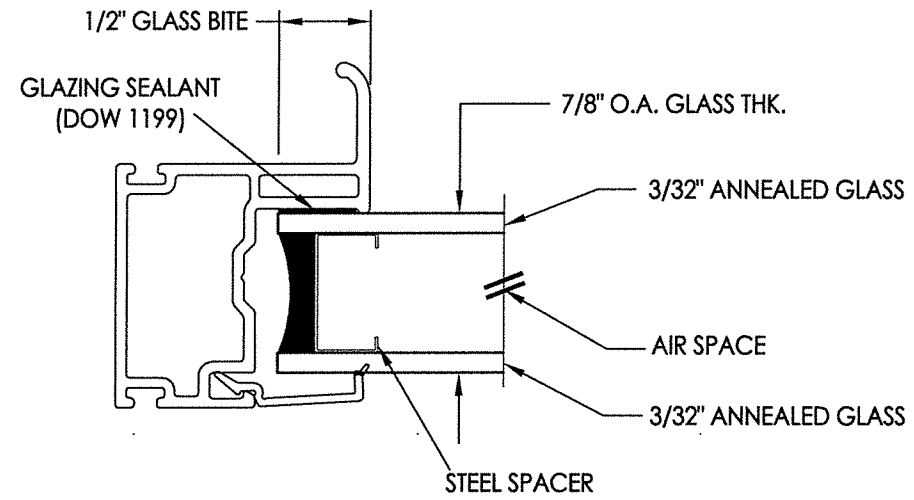
CHK. BY: LFS

DRAWING NO.: TX-4871

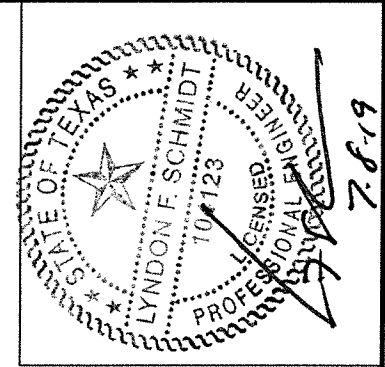
SHEET 3 OF 4

BILL OF MATERIALS		
ITEM #	DESCRIPTION	MATERIAL
A	2X FRAMING (SG >= 0.42)	WOOD
C	3/16" MAX. SHIM SPACE	-
F	#8 X 2-1/4" PPH SMS (1-3/16" MIN. EMBEDMENT)	STEEL
1	EXTRUDED VINYL FRAME (734)*	RIGID PVC
2	EXTRUDED VINYL GLAZING BEAD (716A)*	RIGID PVC
5	TOP & BOTTOM RAIL (709)*	RIGID PVC
6	MEETING STILE (707A)*	RIGID PVC
7	LOCK STILE (706)*	RIGID PVC
8	PULL STILE (715)*	RIGID PVC
9	ALUMINUM REINFORCEMENT (746)	6063-T5 ALUM
10	COMPOSITE REINFORCEMENT (948)	COMP
11	SASH LOCK	-
12	KEEPER	-
14	ROLLER TRACK*	RIGID PVC
16	SILL TRACK/ANTI-LIFT BLOCK (747)	6063 - T5 ALUM
20	WEATHERSTRIP (.187" X .220")	-
21	WEATHERSTRIP (.187" X .350")	-

* THE APPROVED WHITE RIGID PVC EXTERIOR EXTRUSIONS FOR WINDOWS ARE TO BE PRODUCED BY EXTRUDERS LICENSEES IN "AAMA CERTIFICATION PROGRAMS FOR RIGID PVC EXTRUSIONS".



G1 GLAZING DETAIL



Documents Prepared By: Lyndon F. Schmidt, P.E.
TEXAS P.E. #104123

RW BUILDING CONSULTANTS, INC.
P.O. Box 230 Valrico FL 33595
Phone No.: 813.659.9197

TEXAS BOARD OF PROFESSIONAL ENGINEERS
CERTIFICATE OF REGISTRATION # F-11852

PRODUCT: HORIZONTAL SLIDING WINDOW

PART OR ASSEMBLY: BILL OF MATERIALS & GLAZING DETAILS

NO.	DATE	BY	REVISIONS

DATE: 5/13/19
SCALE: N.T.S.
DWG. BY: TRJ
CHK. BY: LFS
DRAWING NO.: TX-4871
SHEET 4 OF 4