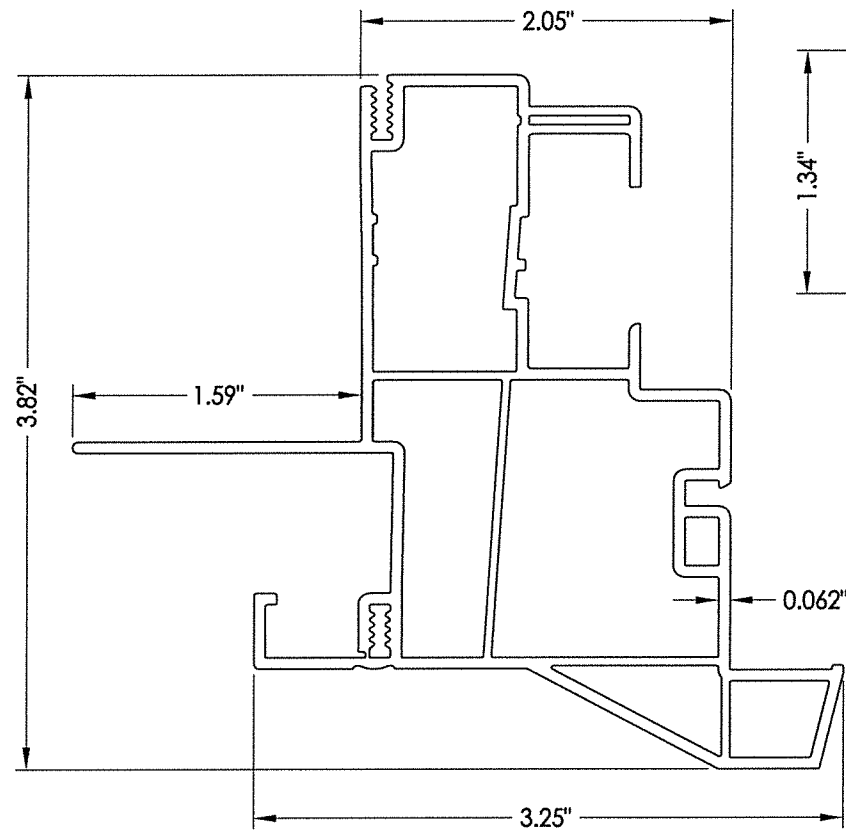
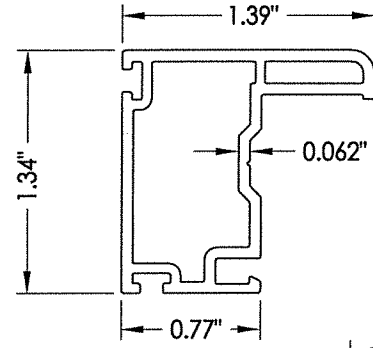


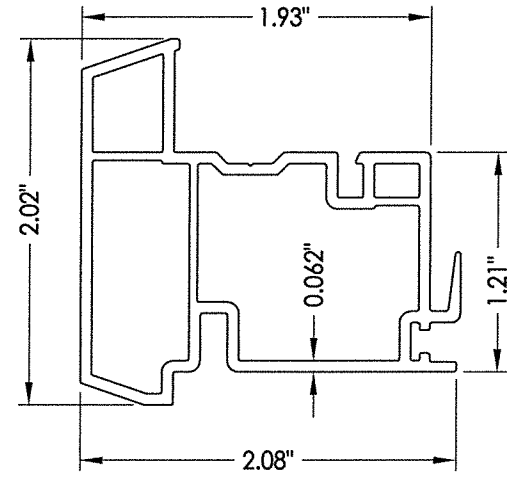
1 HEAD



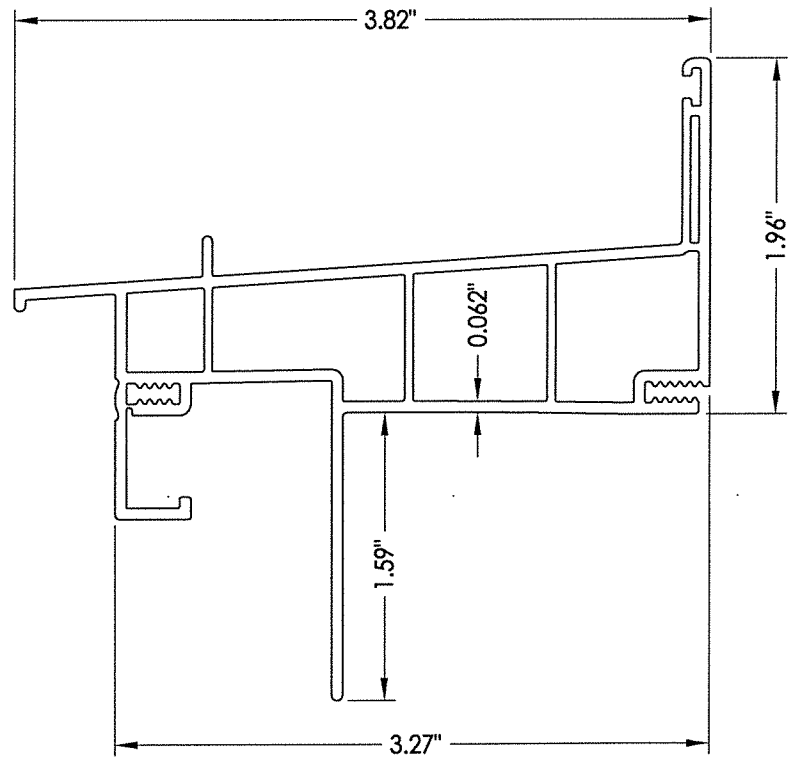
3 JAMB



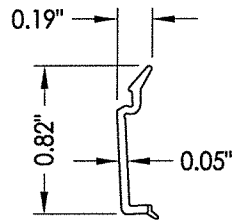
5 STILE



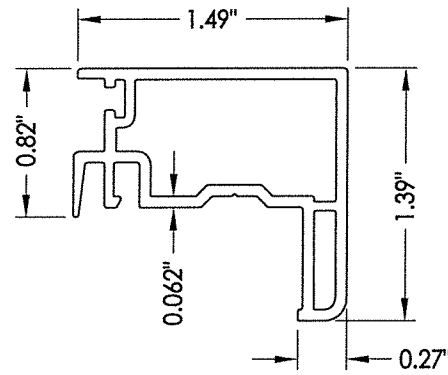
6 FIXED MEETING RAIL



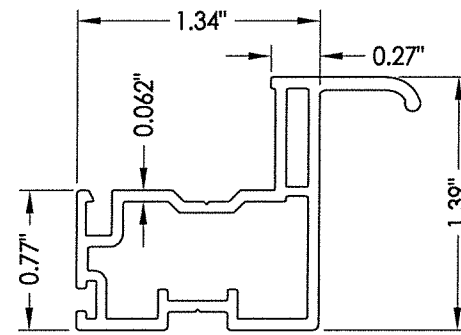
4 SILL



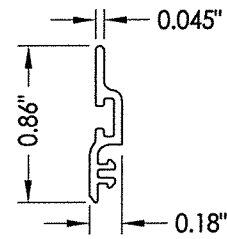
2 GLAZING BEAD



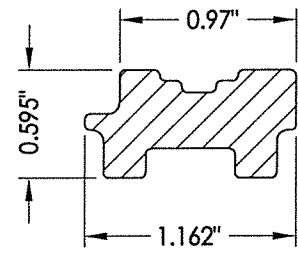
7 LOCK RAIL



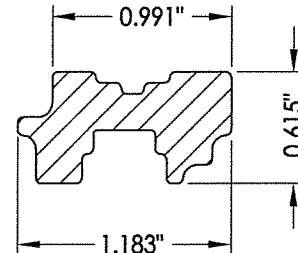
8 BOTTOM LIFT RAIL



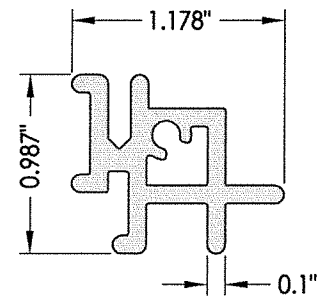
19 SILL RISER



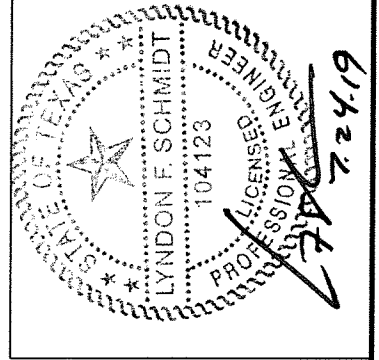
14 LOCK RAIL REINFORCEMENT



15 STILE/RAIL REINFORCEMENT



16 FIXED MEETING RAIL REINFORCEMENT



Documents Prepared By: Lyndon F. Schmidt, P.E.
TEXAS P.E. #104123

RW BUILDING CONSULTANTS, INC.
P.O. Box 230 Valrico FL 33595
Phone No.: 813.659.9197

TEXAS BOARD OF PROFESSIONAL ENGINEERS
CERTIFICATE OF REGISTRATION # F-11852

PRODUCT: SINGLE HUNG WINDOW

PART OR ASSEMBLY: COMPONENTS

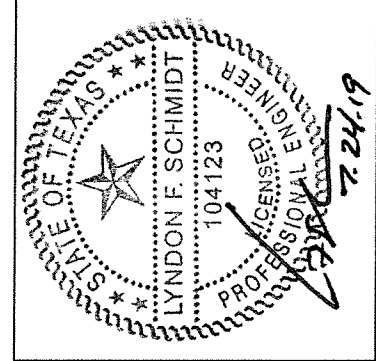
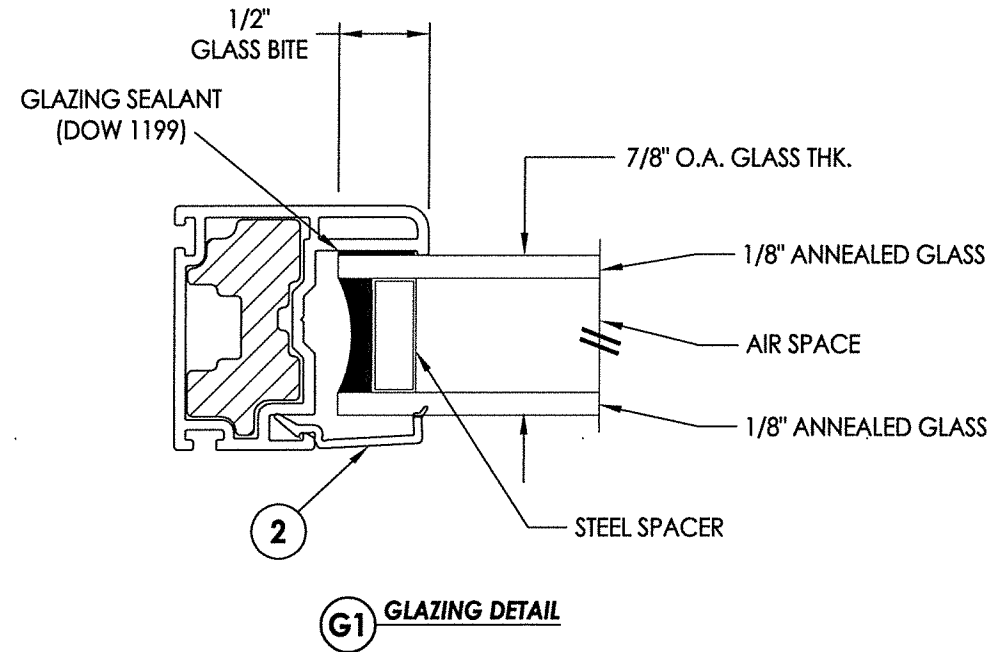
REVISIONS		NO.	DATE	BY

DATE: 6/20/19
SCALE: N.T.S.
DWG. BY: TRJ
CHK. BY: LFS
DRAWING NO.: TX-4942
SHEET 3 OF 4

BILL OF MATERIALS

ITEM #	DESCRIPTION	MATERIAL
A	2X FRAMING (SG >= 0.42)	WOOD
C	1/8" MAX. SHIM SPACE	-
F	#8 X 1-3/4" PPH SMS (1-3/16" MIN. EMBEDMENT)	STEEL
1	HEAD (781)*	RIGID PVC
2	GLAZING BEAD (716A)*	RIGID PVC
3	JAMB (783)*	RIGID PVC
4	SILL (782)*	RIGID PVC
5	STILE (708)*	RIGID PVC
6	FIXED MEETING RAIL (777)*	RIGID PVC
7	LOCK RAIL (706)*	RIGID PVC
8	BOTTOM LIFT RAIL (705)*	RIGID PVC
11	SASH LOCK	-
12	KEEPER	-
14	LOCK RAIL REINFORCEMENT (948)	COMPOSITE
15	STILE/RAIL REINFORCEMENT (952)	COMPOSITE
16	FIXED MEETING RAIL REINFORCEMENT (739)	ALUM
19	SILL RISER (719)*	RIGID PVC
24	BULB GASKET (AMESBURY)	FOAM

* THE APPROVED WHITE RIGID PVC EXTERIOR EXTRUSIONS FOR WINDOWS ARE TO BE PRODUCED BY EXTRUDERS LICENSEES IN "AAMA CERTIFICATION PROGRAMS FOR RIGID PVC EXTRUSIONS".



Documents Prepared By: Lyndon F. Schmidt, P.E.
TEXAS P.E. #104123

R.W. BUILDING CONSULTANTS, INC.
P.O. Box 230 Valrico FL 33595
Phone No.: 813.659.9197

TEXAS BOARD OF PROFESSIONAL ENGINEERS
CERTIFICATE OF REGISTRATION # F-11852

PRODUCT: SINGLE HUNG WINDOW

PART OR ASSEMBLY: BILL OF MATERIALS & GLAZING DETAILS

NO.	DATE	BY	REVISIONS

DATE: 6/20/19
SCALE: N.T.S.
DWG. BY: TRJ
CHK. BY: LFS
DRAWING NO.: TX-4942
SHEET 4 OF 4