



Bringing quality to light.

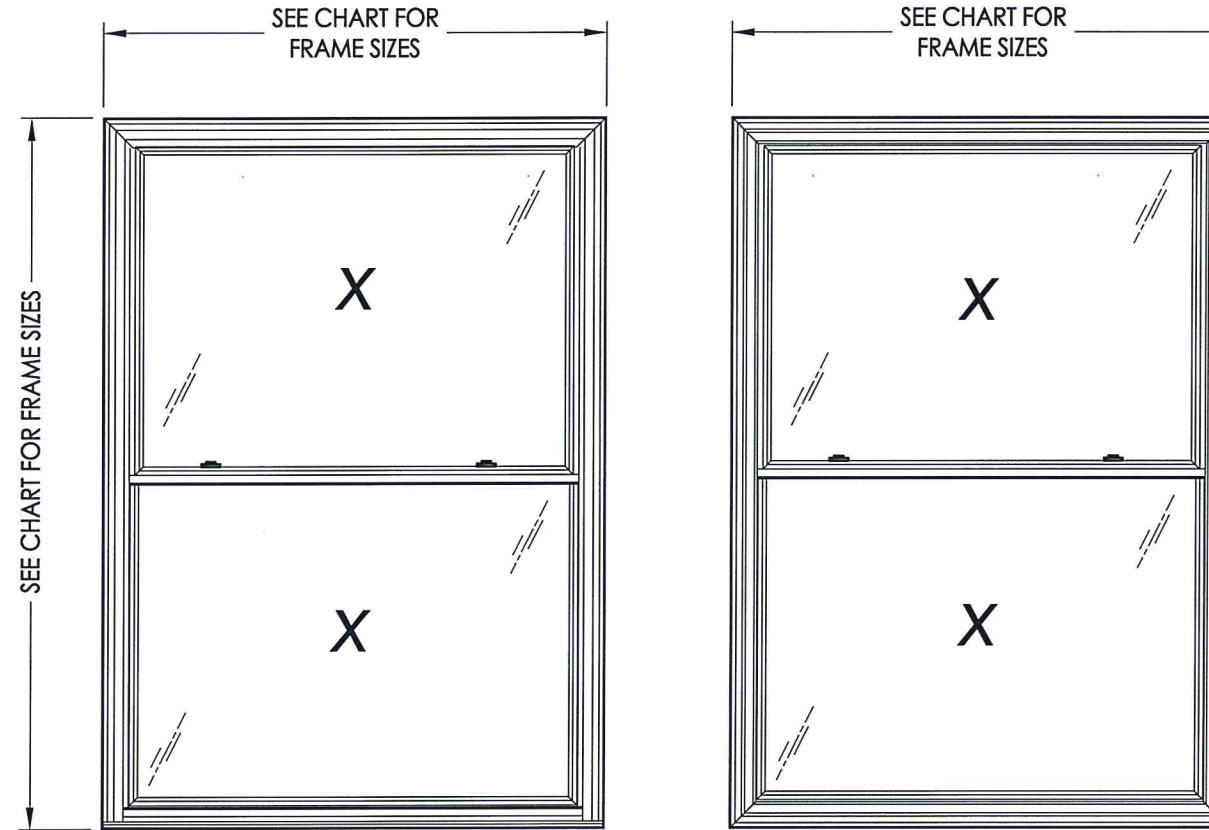
10250 Philipp Parkway
Streetsboro, Ohio 44241

"BARCELONA" Model "DH30" and "DH30P" DOUBLE HUNG WINDOW "NON-IMPACT"

EVALUATED FOR USE IN THE STATE OF TEXAS

The Soft-Lite Double Hung Window described herein complies with the 2006 International Residential Code (IRC), Sections R301 & R613 and the 2006 International Building Code (IBC), Sections 1405.12, 1609, 1714.5, 2403 and 2404 (including Texas revisions) subject to the following conditions:

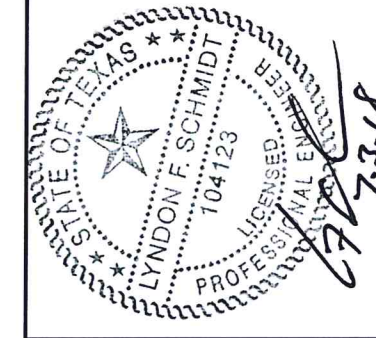
1. Anchors shall be as listed and spaced as shown in the details. Anchor embedment to base material shall be beyond wall dressing or stucco.
2. When used in areas requiring wind-borne debris protection this product is required to be protected with an impact resistant covering that complies with Section R301.2.1.2 of the IRC and Section 1609.1.2 of the IBC.
3. Allowable design pressure requirements must be equal to or less than the design pressure rating shown in the design pressure chart, sheet 1 of this drawing.
4. Conditions not covered by this drawing are subject to further engineering analysis.



Model "DH30"

Model "DH30P"

MODEL	MAX. FRAME DIMENSION	MAX. D.L.O. DIMENSION	GLASS TYPE	DESIGN PRESSURE (PSF)	
				POSITIVE	NEGATIVE
"DH30"	36.0" X 72.0"	28.125" x 32.0"	G1	+50.0	-50.0
"DH30"	40.0" X 63.0"	32.125" x 27.125"	G1	+55.0	-55.0
"DH30"	54.0" X 76.0"	46.25" x 34.0"	G1	+35.0	-35.0
"DH30P"	40.0" X 63.0"	32.125" x 26.625"	G1	+55.0	-55.0
"DH30P"	54.0" X 76.0"	46.25" x 33.125"	G1	+30.0	-30.0



Documents Prepared By: Lyndon F. Schmidt, P.E.
TEXAS P.E. #104123

RW BUILDING CONSULTANTS, INC.
P.O. Box 230 Valrico FL 33595
Phone No.: 813.659.9197

TEXAS BOARD OF PROFESSIONAL ENGINEERS
CERTIFICATE OF REGISTRATION # F-11852

PRODUCT: SOFT-LITE WINDOWS

PART OR ASSEMBLY: TYPICAL ELEVATION, DESIGN PRESSURES & GENERAL NOTES

NO.	DATE	BY	REVISIONS

DATE: 6/28/18

SCALE: N.T.S.

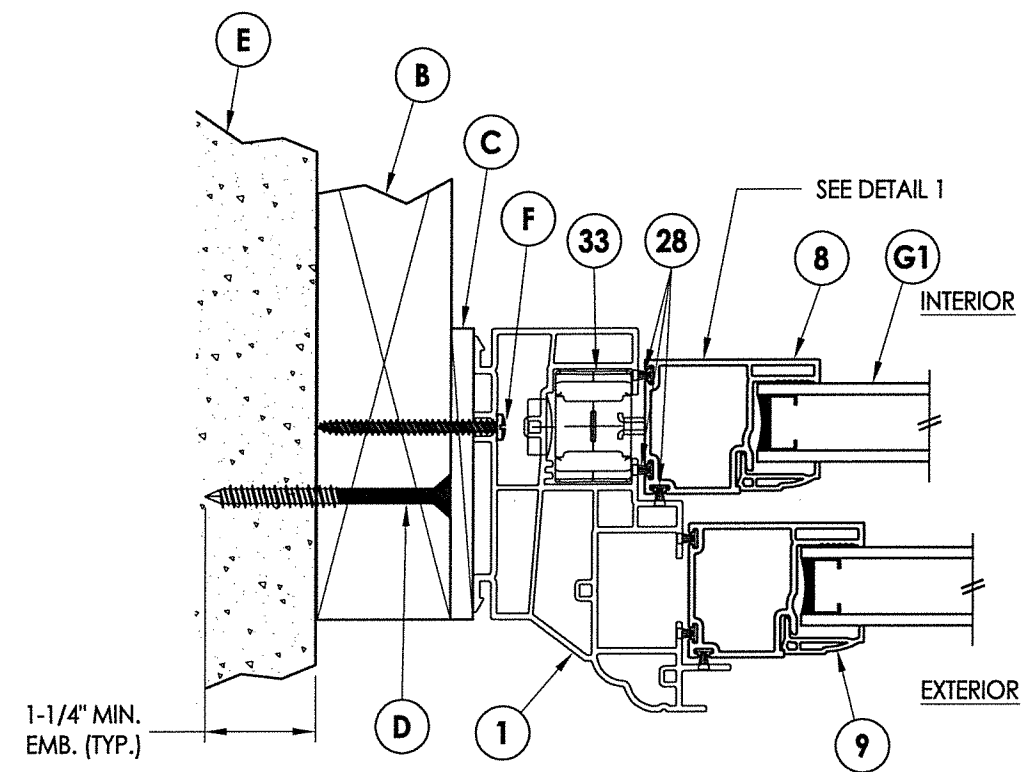
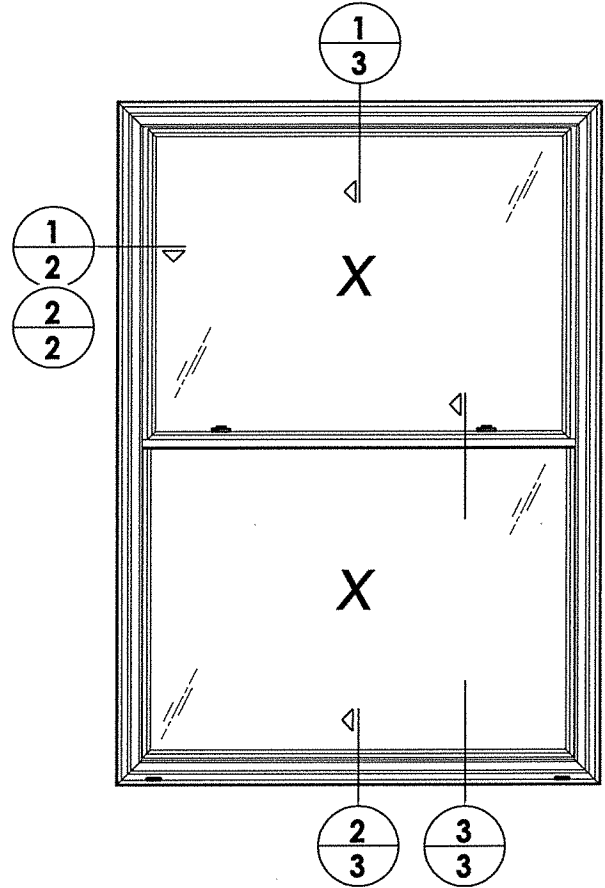
DWG. BY: JK

CHK. BY: LFS

DRAWING NO.: TX-4860

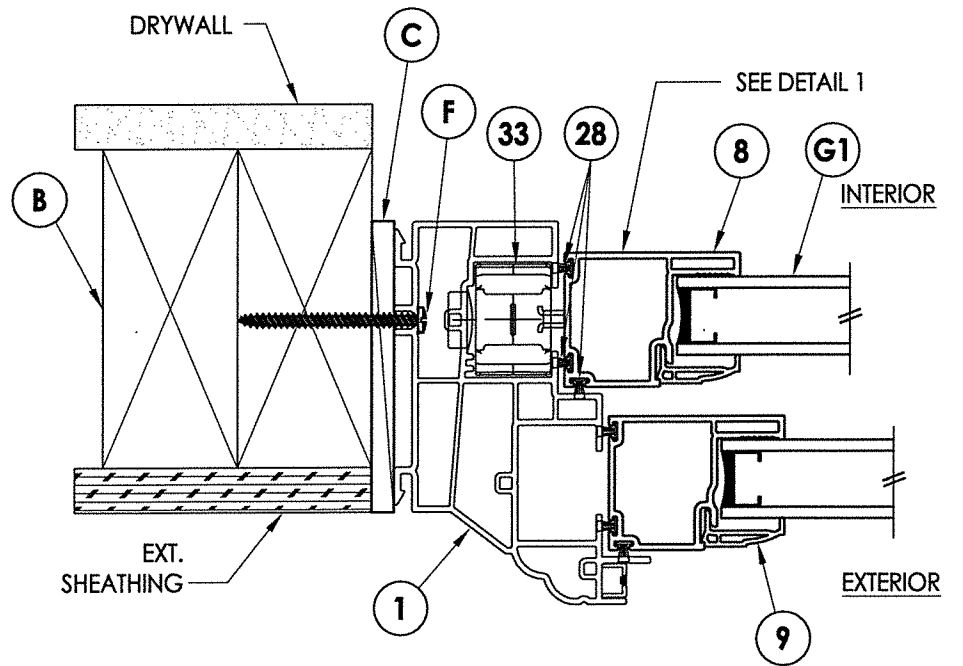
SHEET 1 OF 6

TABLE OF CONTENTS	
SHEET#	DESCRIPTION
1	Typical elevations, design pressures & general notes
2	Horizontal cross sections
3	Vertical cross sections
4	Buck and frame anchoring
5	Components
6	Bill of materials & glazing details

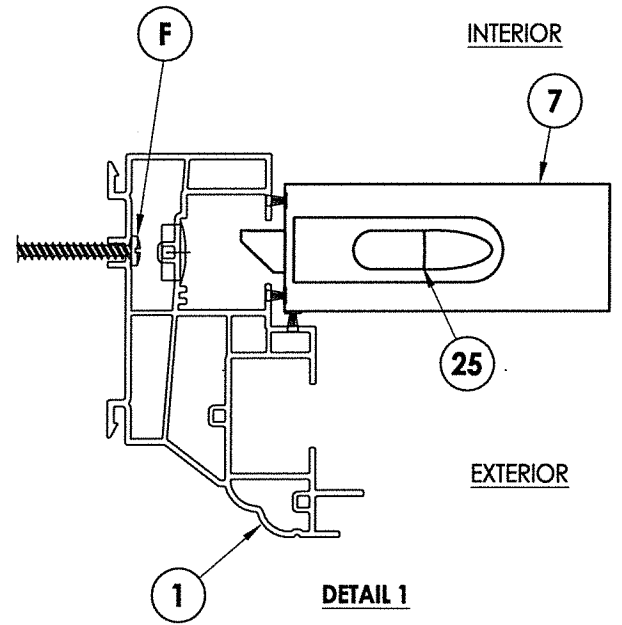


2 HORIZONTAL CROSS SECTION
2 Shown w/ 2X Buck Masonry Construction

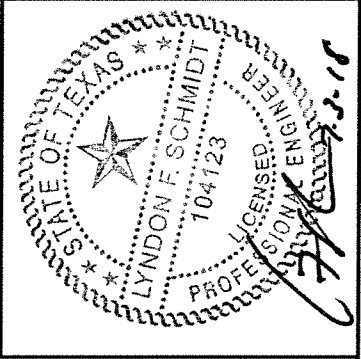
Hardware Notes:
1. Locks (2) located on lock rail
10" from each jamb.



1 HORIZONTAL CROSS SECTION
2 Shown w/ Stud Framing



DETAIL 1

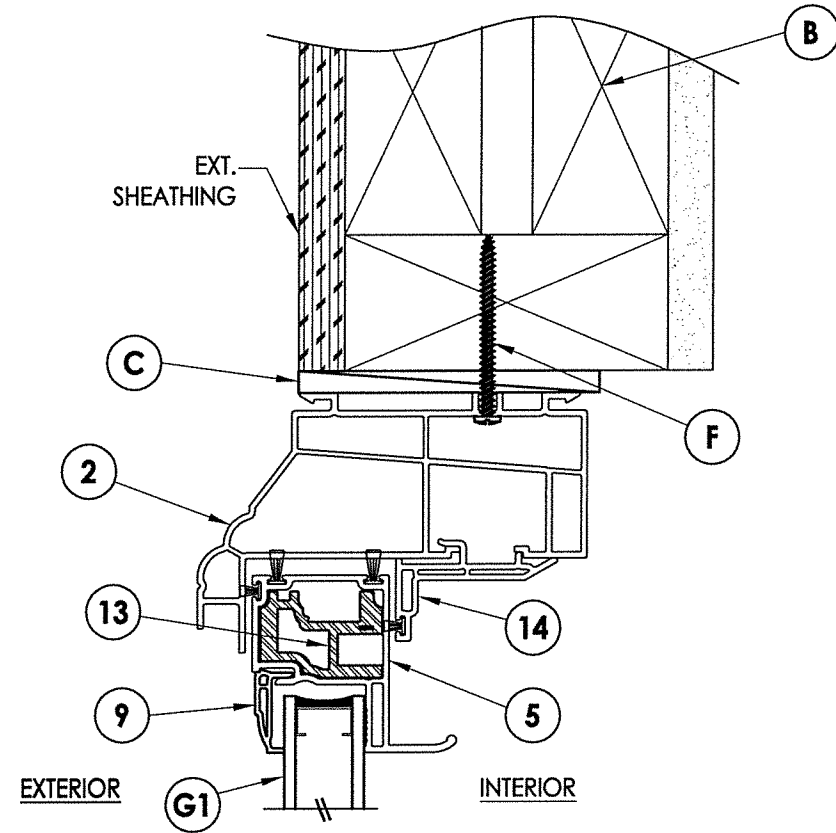


Documents Prepared By: Lyndon F. Schmidt, P.E.
TEXAS P.E. #104123

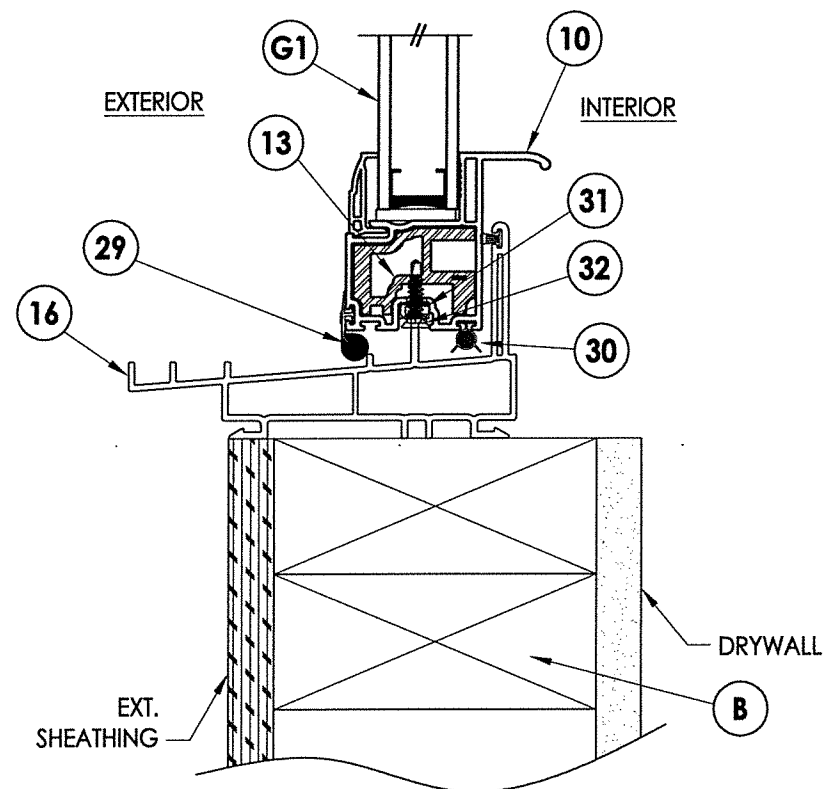
RW BUILDING CONSULTANTS, INC.
P.O. Box 230 Valrico FL, 33595
Phone No.: 813.659.9197

TEXAS BOARD OF PROFESSIONAL ENGINEERS
CERTIFICATE OF REGISTRATION # F-11852

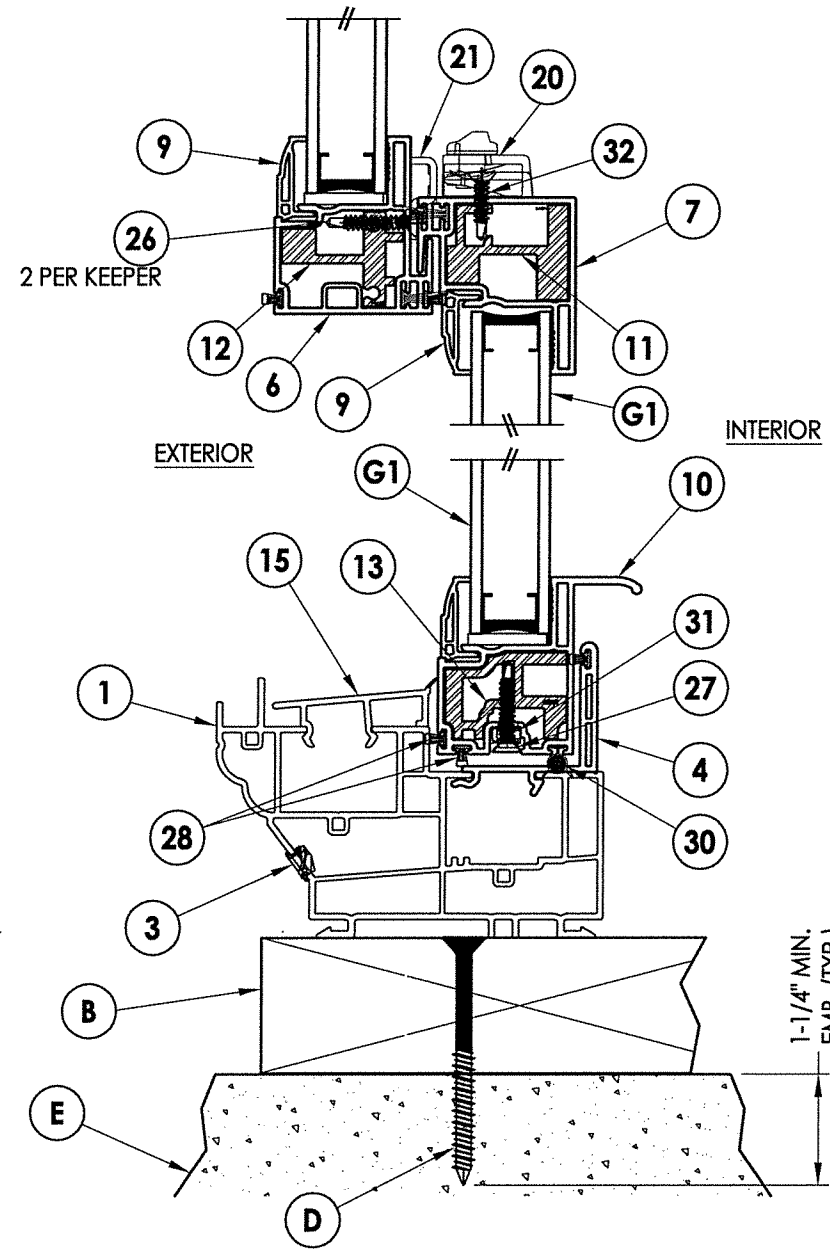
PRODUCT:	SOFT-LITE WINDOWS	
PART OR ASSEMBLY:	HORIZONTAL CROSS SECTIONS	
NO.	DATE	BY
DATE:	6/28/18	
SCALE:	N.T.S.	
DWG. BY:	JK	
CHK. BY:	LFS	
DRAWING NO.:	TX-4860	
SHEET	2 OF 6	



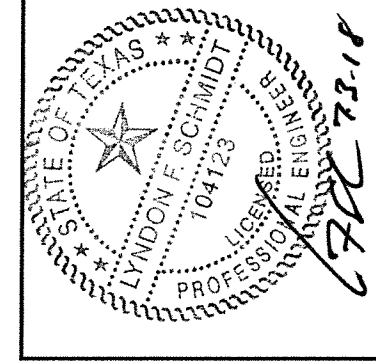
1 VERTICAL CROSS SECTION
3 Shown w/ Stud Framing



2 VERTICAL CROSS SECTION
3 2X Buck Construction
 Shown w/ "DH30" Sloped Sill



3 VERTICAL CROSS SECTION
3 2X Buck Construction
 Shown w/ "DH30P" Sill



Documents Prepared By: Lyndon F. Schmidt, P.E.
 TEXAS P.E. #104123

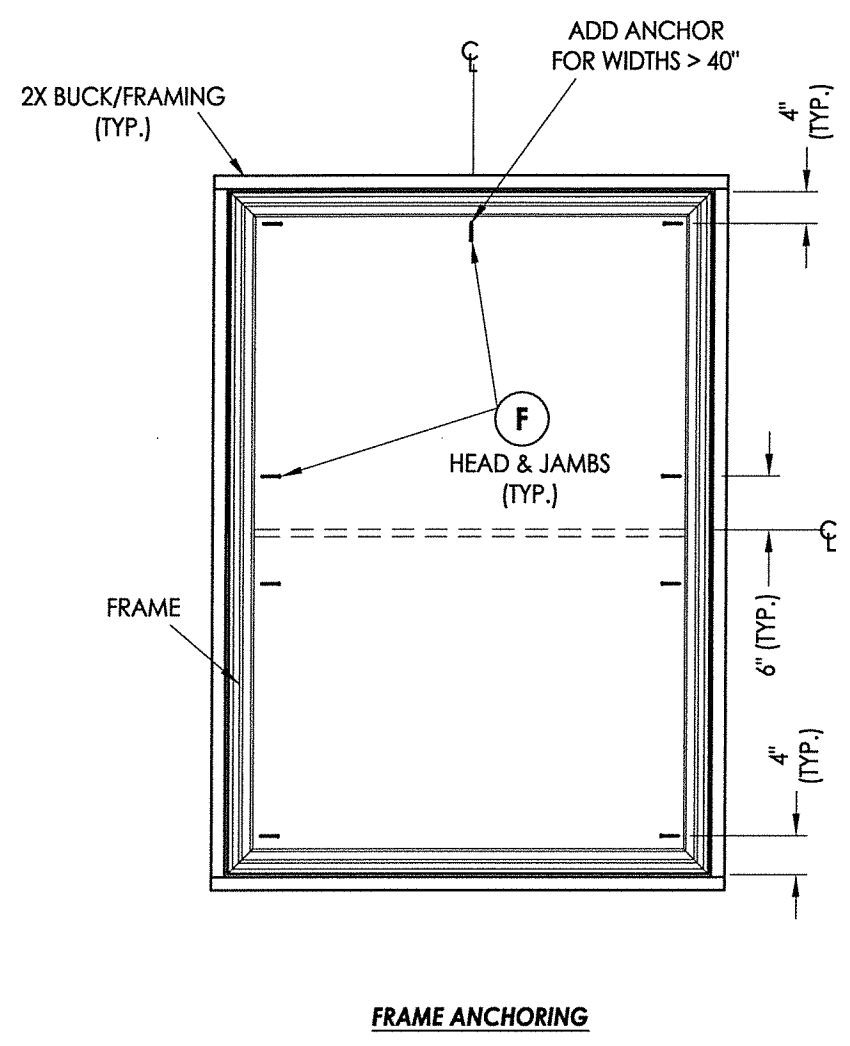
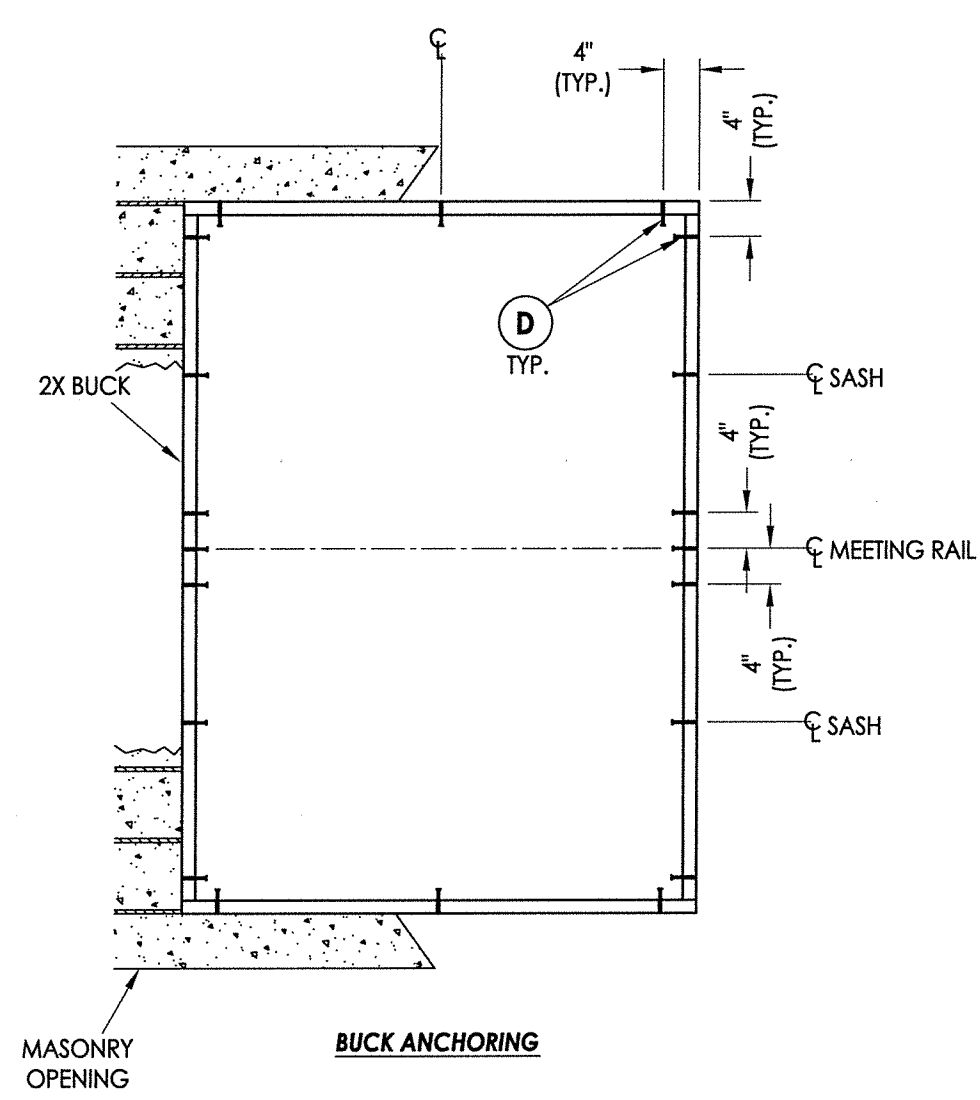
RW BUILDING CONSULTANTS, INC.
 P.O. Box 230 Valrico FL 33595
 Phone No.: 813.659.9197

TEXAS BOARD OF PROFESSIONAL ENGINEERS
 CERTIFICATE OF REGISTRATION # F-11852

PRODUCT:	SOFT-LITE WINDOWS
PART OR ASSEMBLY:	VERTICAL CROSS SECTIONS

NO.	DATE	BY	REVISIONS

DATE:	6/28/18
SCALE:	N.T.S.
DWG. BY:	JK
CHK. BY:	LFS
DRAWING NO.:	TX-4860
SHEET	3 OF 6



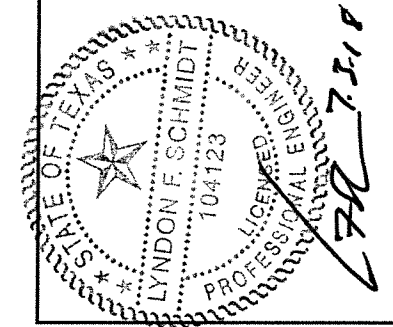
CONCRETE ANCHOR NOTES:

1. Concrete anchor locations at the corners may be adjusted to maintain the min. edge distance to mortar joints.
2. Concrete anchor locations noted as "MAX. ON CENTER" must be adjusted to maintain the min. edge distance to mortar joints, additional concrete anchors may be required to ensure the "MAX. ON CENTER" dimension are not exceeded.
3. Concrete anchor table:

ANCHOR TYPE	ANCHOR SIZE	MIN. EMBEDMENT	MIN. CLEARANCE TO MASONRY EDGE	MIN. CLEARANCE TO ADJACENT ANCHOR
ITW TAPCON®	1/4"	1-1/4"	2"	4"

WOOD SCREW INSTALLATION NOTES:

1. Maintain a minimum 5/8" edge distance, 1" end distance, & 1" o.c. spacing of wood screws to prevent the splitting of wood.



Documents Prepared By: Lyndon F. Schmidt, P.E.
TEXAS P.E. #104123

RW BUILDING CONSULTANTS, INC.
P.O. Box 230 Valrico FL 33595
Phone No.: 813.659.9197

TEXAS BOARD OF PROFESSIONAL ENGINEERS
CERTIFICATE OF REGISTRATION # F-11852

PRODUCT: SOFT-LITE WINDOWS

PART OR ASSEMBLY: BUCK & FRAME ANCHORING

REVISIONS	
NO.	DATE

DATE: 6/28/18

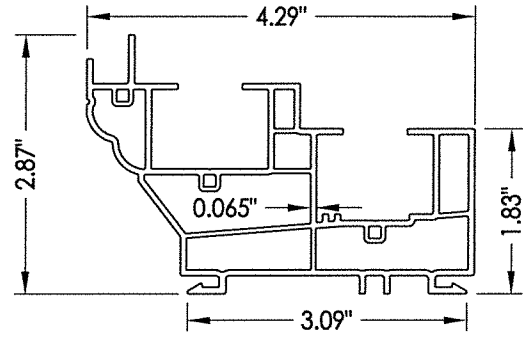
SCALE: N.T.S.

DWG. BY: JK

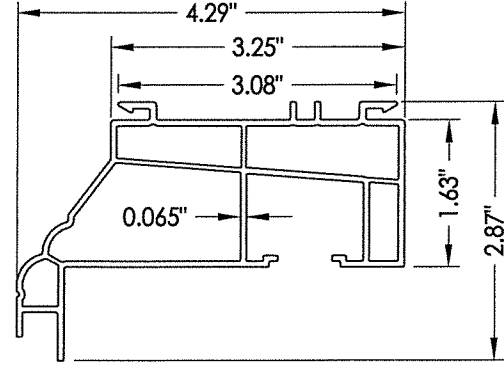
CHK. BY: LFS

DRAWING NO.: TX-4860

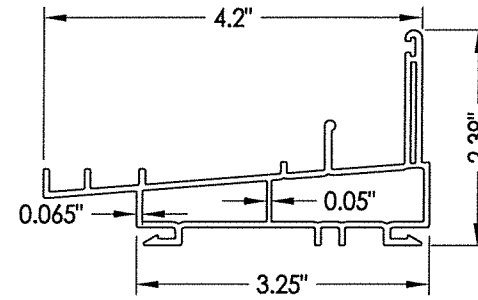
SHEET 4 OF 6



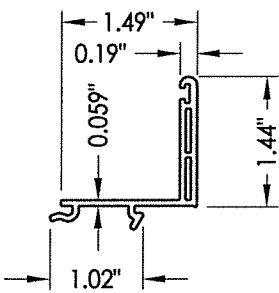
1 FRAME



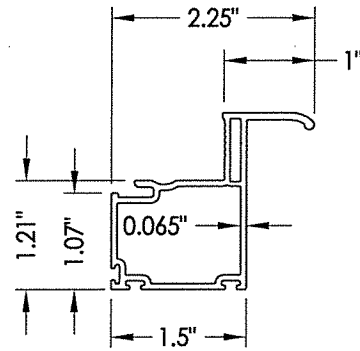
2 HEAD



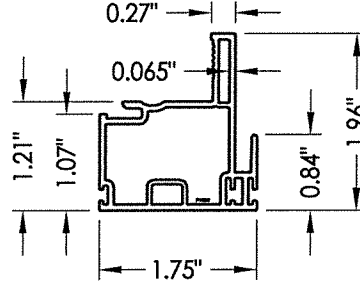
16 SLOPED SILL
"DH30"



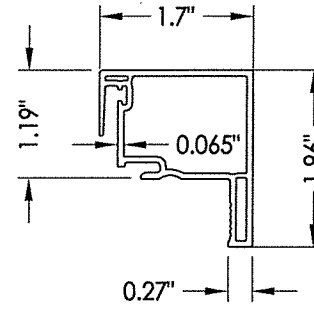
4 SILL ADAPTER



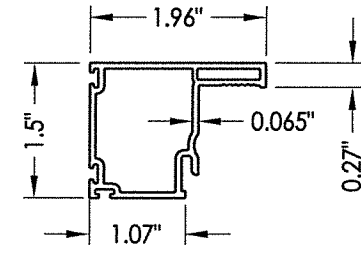
5 LIFT RAIL



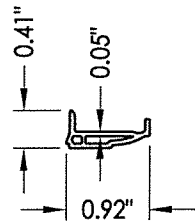
6 KEEPER RAIL



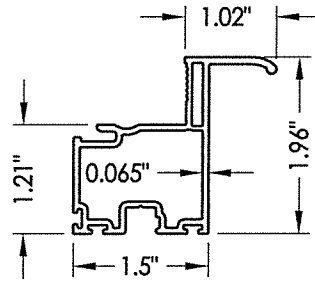
7 LOCK RAIL



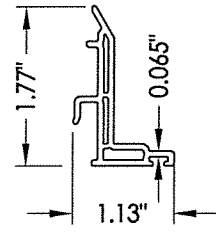
8 PLAIN STILE



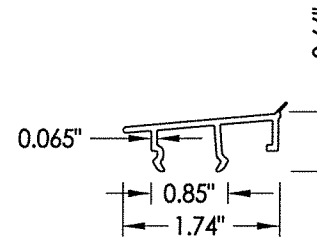
9 GLAZING BEAD



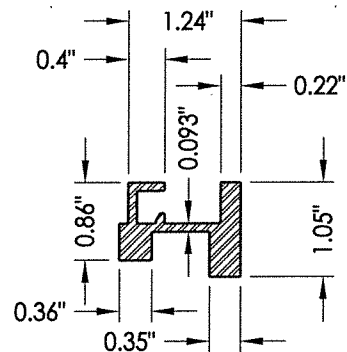
10 LIFT RAIL



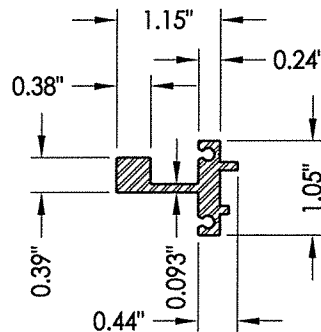
14 HEAD POCKET INSERT



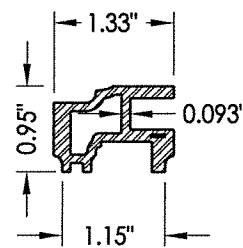
15 SLOPED INSERT



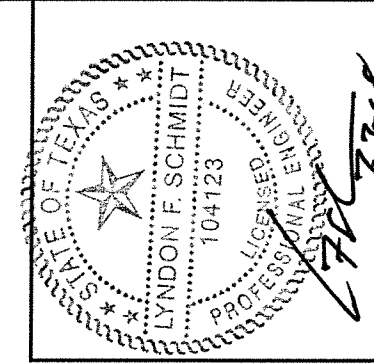
11 REINFORCEMENT



12 REINFORCEMENT



13 REINFORCEMENT



Documents Prepared By: Lyndon F. Schmidt, P.E.
TEXAS P.E. #104123

RW BUILDING CONSULTANTS, INC.
P.O. Box 230 Valrico FL 33595
Phone No.: 813.659.9197
TEXAS BOARD OF PROFESSIONAL ENGINEERS
CERTIFICATE OF REGISTRATION # F-11852

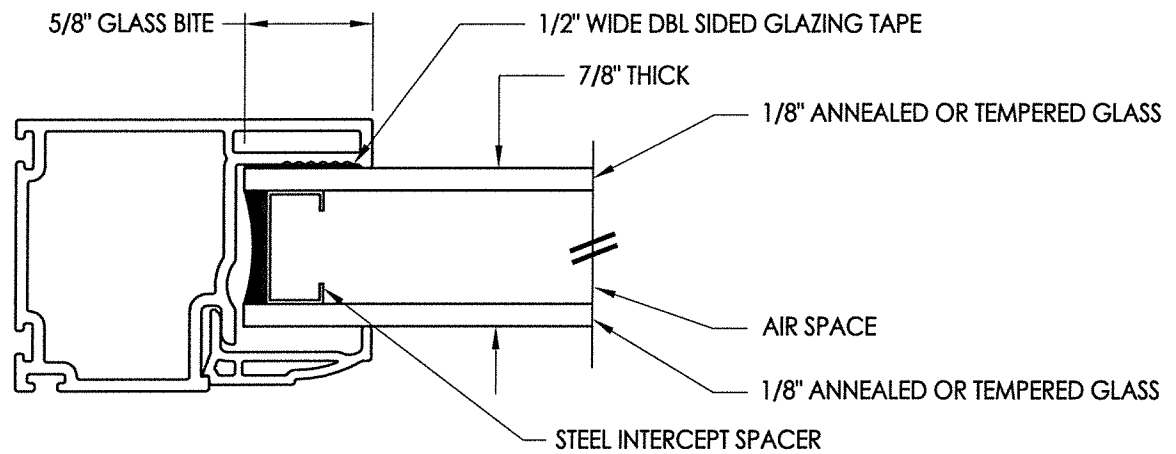
PRODUCT: SOFT-LITE WINDOWS
PART OR ASSEMBLY: COMPONENTS

NO.	DATE	BY

DATE: 6/28/18
SCALE: N.T.S.
DWG. BY: JK
CHK. BY: LFS
DRAWING NO.: TX-4860
SHEET 5 OF 6

R:\Clients\Soft-Lite Permanent\B - Texas Dept of Ins\WIN-XXXX Barcelona DH30.30P Double Hung Window Non-Impact\Drawings\TX-4860.dwg, 6.1

BILL OF MATERIALS		
ITEM #		MATERIAL
B	2X FRAMING (SG >= 0.42)	WOOD
C	1/4" MAX. SHIM SPACE	-
D	1/4" X 2-3/4" PFH ELCO OR ITW CONCRETE SCREW	STEEL
E	MASONRY - 3,000 PSI MIN. CONCRETE CONFORMING TO ACI 301 OR HOLLOW BLOCK CONFORMING TO ASTM C90	CONCRETE
F	#8 X 2" PPH SMS (1-3/8" MIN. EMBEDMENT)	STEEL
1	FRAME*	PVC
2	HEAD*	PVC
3	WEEP HOLE COVER*	PVC
4	SILL ADAPTER*	PVC
5	TOP LIFT HANDLE*	PVC
6	KEEPER RAIL*	PVC
7	LOCK RAIL*	PVC
8	PLAIN STILE*	PVC
9	GLAZING BEAD*	PVC
10	BOTTOM LIFT RAIL*	PVC
11	REINFORCEMENT (6065-T5 ALUM)	ALUM.
12	REINFORCEMENT (6065-T5 ALUM)	ALUM.
13	REINFORCEMENT (6065-T5 ALUM)	ALUM.
14	HEAD POCKET INSERT*	PVC
15	SLOPED INSERT*	PVC
16	SLOPED SILL*	PVC
20	LOCK	-
21	LOCK KEEPER	-
25	TILT LATCH	-
26	#8 X 1" PFH TEK	STEEL
27	#6 X 1" PFH TEK	STEEL
28	WEATHERSTRIP (187-270 TRI-FIN)	-
29	BULB SEAL	-
30	BULB SEAL	-
31	PIVOT BAR	STEEL
32	#7 X 3/4" PFH TEK	STEEL
33	BALANCER BRACKET	-



* THE APPROVED WHITE RIGID PVC EXTRUSIONS FOR WINDOWS ARE TO BE PRODUCED BY EXTRUDERS LICENSEES IN "AAMA CERTIFICATIONS PROGRAMS FOR RIGID PVC EXTRUSIONS".

STATE OF TEXAS

LYNDON F. SCHMIDT
104123
PROFESSIONAL ENGINEER

LFS

Documents Prepared By: Lyndon F. Schmidt, P.E.
TEXAS P.E. #104123

RW BUILDING CONSULTANTS, INC.
P.O. Box 230 Vairico FL 33595
Phone No.: 813.659.9197

TEXAS BOARD OF PROFESSIONAL ENGINEERS
CERTIFICATE OF REGISTRATION # F-11852

PRODUCT:	SOFT-LITE WINDOWS	
PART OR ASSEMBLY:	BILL OF MATERIALS AND GLAZING DETAIL	
NO.	DATE	BY
REVISIONS		

DATE: 6/28/18
SCALE: N.T.S.
DWG. BY: JK
CHK. BY: LFS
DRAWING NO.: TX-4860
SHEET 6 OF 6