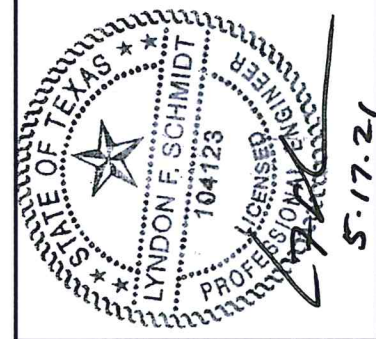
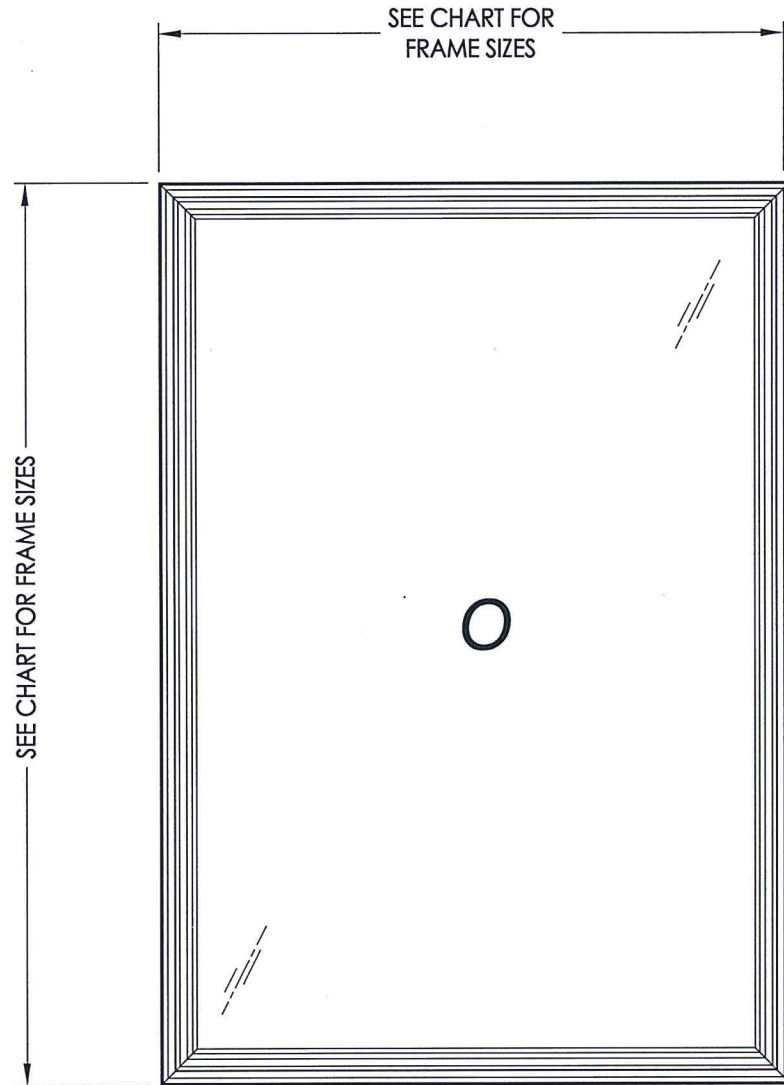




Bringing quality to light.

10250 Philipp Parkway
Streetsboro, Ohio 44241

**"BARCELONA"
Model "PW30"
PICTURE WINDOW
"NON-IMPACT"**



Documents Prepared By: Lyndon F. Schmidt, P.E.
TEXAS P.E. #104123
RW BUILDING CONSULTANTS, INC.
P.O. Box 230 Valrico FL 33595
Phone No.: 813.659.9197
TEXAS BOARD OF PROFESSIONAL ENGINEERS
CERTIFICATE OF REGISTRATION # F-11852

EVALUATED FOR USE IN THE STATE OF TEXAS

TDI WIN-2352

The Picture Window described herein complies with the 2018 International Residential Code (IRC), Sections R301 & R609 and the 2018 International Building Code (IBC), Sections 1404.13, 1609, 1709.5, 2403 and 2404 subject to the following conditions:

1. Anchors shall be as listed and spaced as shown in the details. Anchor embedment to base material shall be beyond wall dressing or stucco.
2. When used in areas requiring wind-borne debris protection this product is required to be protected with an impact resistant covering that complies with Section R301.2.1.2 of the IRC and Section 1609.2 of the IBC.
3. Allowable design pressure requirements must be equal to or less than the design pressure rating shown in the design pressure chart, sheet 1 of this drawing.
4. Conditions not covered by this drawing are subject to further engineering analysis.

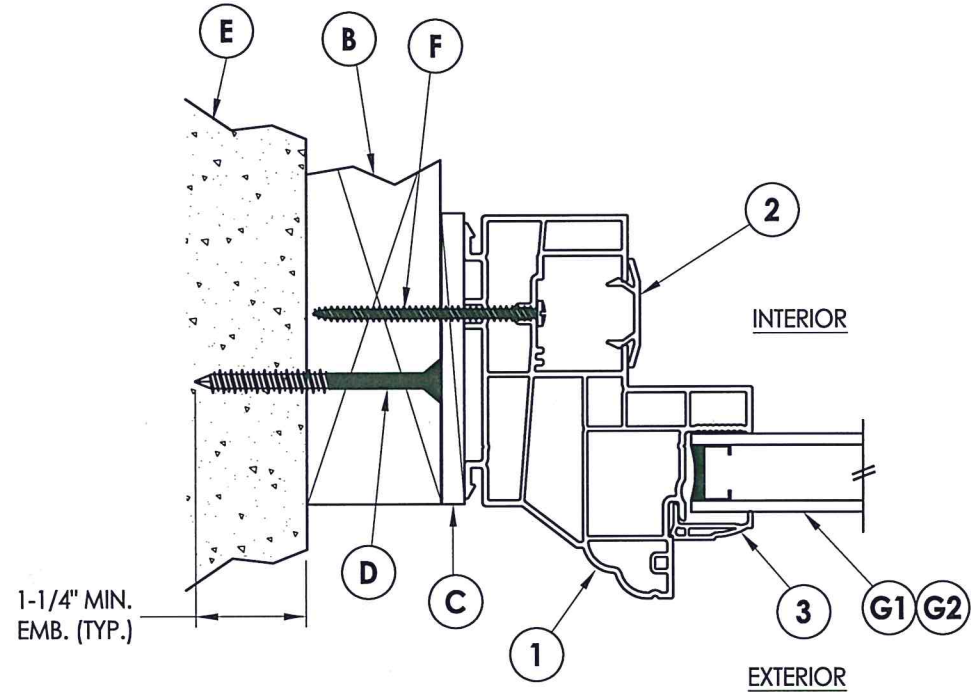
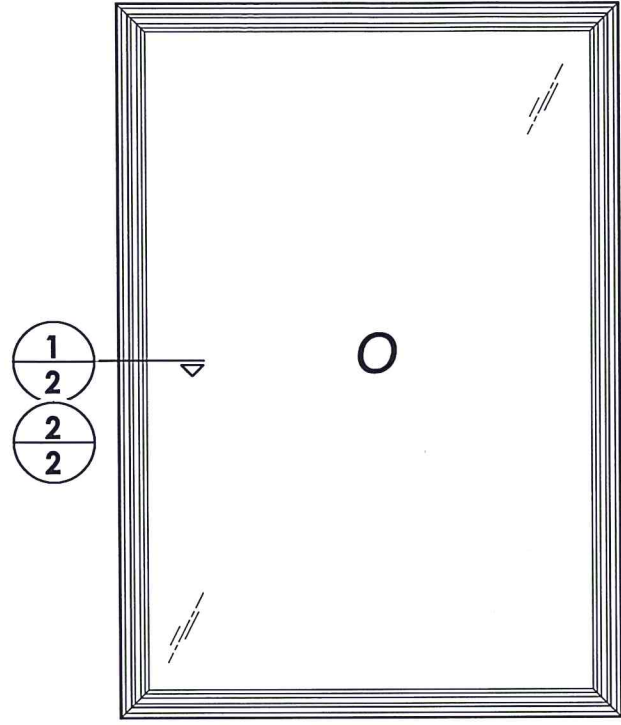
TABLE OF CONTENTS	
SHEET#	DESCRIPTION
1	Typical elevations, design pressures and general notes
2	Horizontal and vertical cross sections
3	Buck and frame anchoring
4	Buck and frame anchoring
5	Bill of materials, components and glazing details

MAX. FRAME DIMENSION	MAX. D.L.O. DIMENSION	GLASS TYPE	DESIGN PRESSURE (PSF)	
			POSITIVE	NEGATIVE
48.0" X 63.0"	41.56" x 56.56"	G1	+65.0	-65.0
48.0" X 76.0"	41.56" x 69.56"	G1	+50.0	-50.0
72.0" X 72.0"	65.56" x 65.56"	G2	+45.0	-45.0

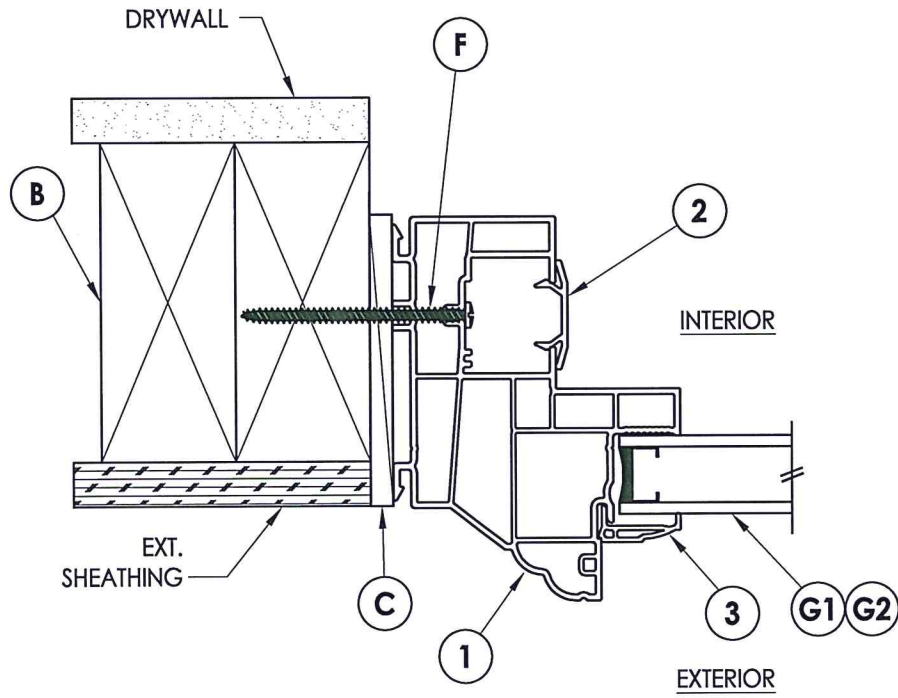
PRODUCT: SOFT-LITE WINDOWS
PART OR ASSEMBLY: TYPICAL ELEVATION, DESIGN PRESSURES & GENERAL NOTES

NO.	DATE	BY	REVISIONS
1	5/11/21	LFS	UPDATE TO 2018 IBC/IRC

DATE: 6/15/18
SCALE: N.T.S.
DWG. BY: JK
CHK. BY: LFS
DRAWING NO.: TX-4849
SHEET 1 OF 5



2 HORIZONTAL CROSS SECTION
2 Shown w/ 2X Buck Masonry Construction



1 HORIZONTAL CROSS SECTION
2 Shown w/ Stud Framing

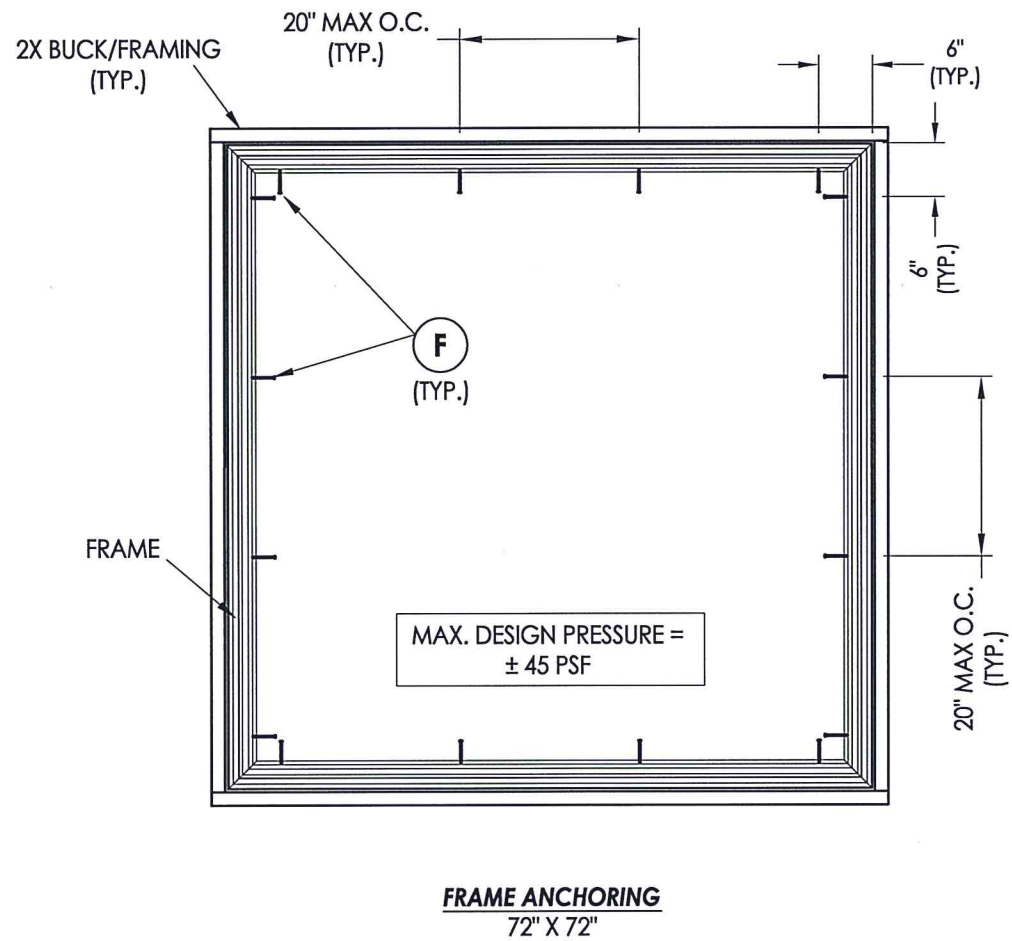
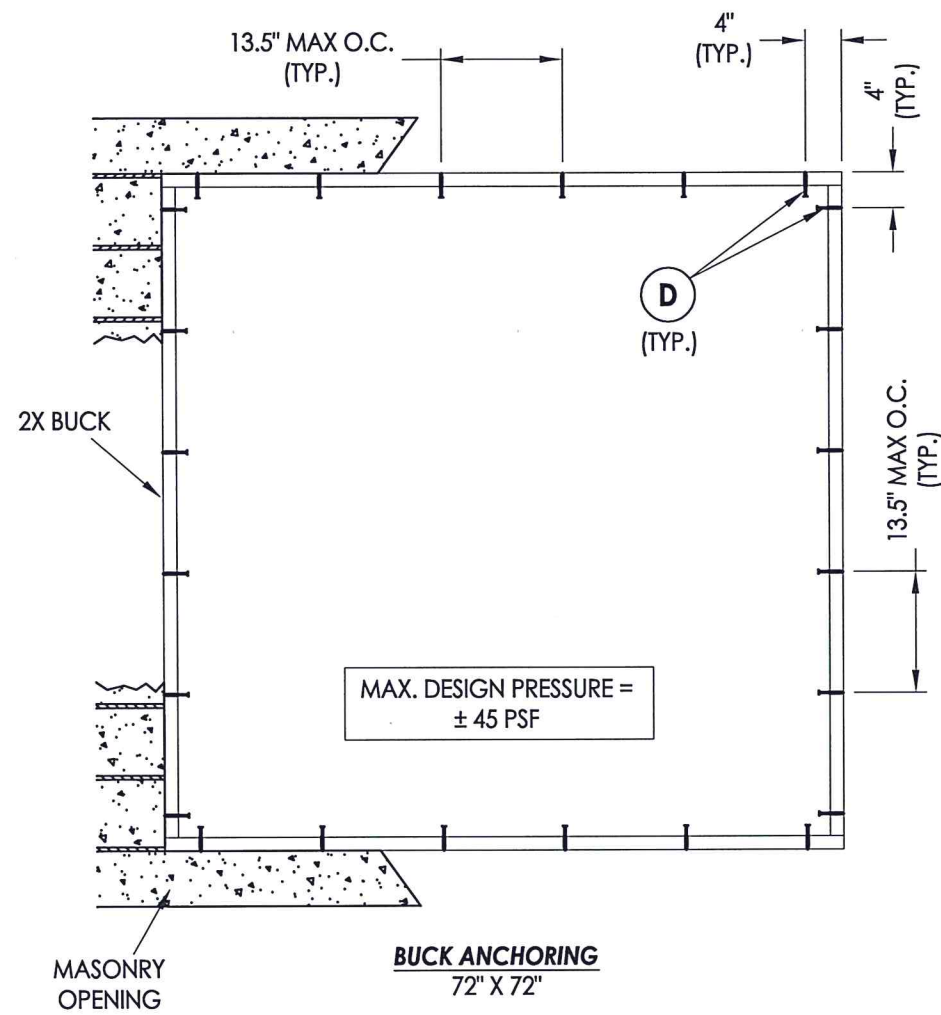


Documents Prepared By: Lyndon F. Schmidt, P.E.
TEXAS P.E. #104123

RW BUILDING CONSULTANTS, INC.
P.O. Box 230 Valrico FL 33595
Phone No.: 813.659.9197

TEXAS BOARD OF PROFESSIONAL ENGINEERS
CERTIFICATE OF REGISTRATION # F-11852

PRODUCT:		SOFT-LITE WINDOWS	
PART OR ASSEMBLY:		HORIZONTAL AND VERTICAL CROSS SECTIONS	
NO.	DATE	BY	REVISIONS
1	5/11/21	LFS	UPDATE TO 2018 IBC/IRC
DATE: 6/15/18			
SCALE: N.T.S.			
DWG. BY: JK			
CHK. BY: LFS			
DRAWING NO.: TX-4849			
SHEET 2 OF 5			



CONCRETE ANCHOR NOTES:

1. Concrete anchor locations at the corners may be adjusted to maintain the min. edge distance to mortar joints.
2. Concrete anchor locations noted as "MAX. ON CENTER" must be adjusted to maintain the min. edge distance to mortar joints, additional concrete anchors may be required to ensure the "MAX. ON CENTER" dimension are not exceeded.
3. Concrete anchor table:

ANCHOR TYPE	ANCHOR SIZE	MIN. EMBEDMENT	MIN. CLEARANCE TO MASONRY EDGE	MIN. CLEARANCE TO ADJACENT ANCHOR
ITW TAPCON®	1/4"	1-1/4"	2"	4"

WOOD SCREW INSTALLATION NOTES:

1. Maintain a minimum 5/8" edge distance, 1" end distance, & 1" o.c. spacing of wood screws to prevent the splitting of wood.



Documents Prepared By: Lyndon F. Schmidt, P.E.
TEXAS P.E. #104123

RW BUILDING CONSULTANTS, INC.
P.O. Box 230 Valrico FL 33595
Phone No.: 813.659.9197

TEXAS BOARD OF PROFESSIONAL ENGINEERS
CERTIFICATE OF REGISTRATION # F-11852

PRODUCT: SOFT-LITE WINDOWS

PART OR ASSEMBLY: BUCK & FRAME ANCHORING

NO.	DATE	DESCRIPTION	BY
1	5/11/21	UPDATE TO 2018 IBC/IRC	LFS

DATE: 6/15/18

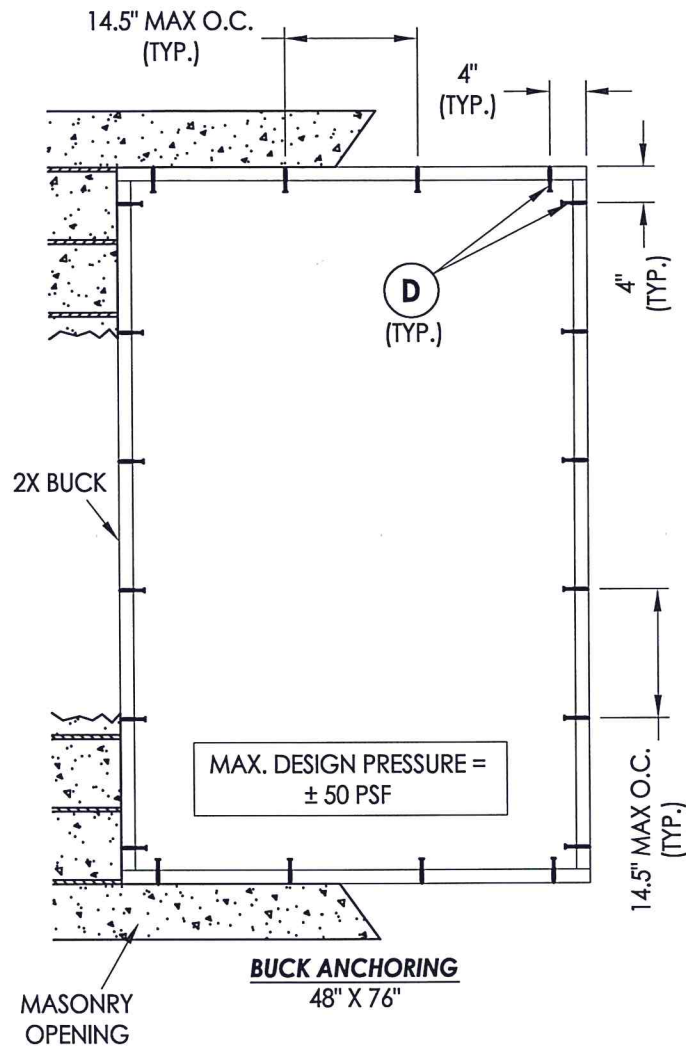
SCALE: N.T.S.

DWG. BY: JK

CHK. BY: LFS

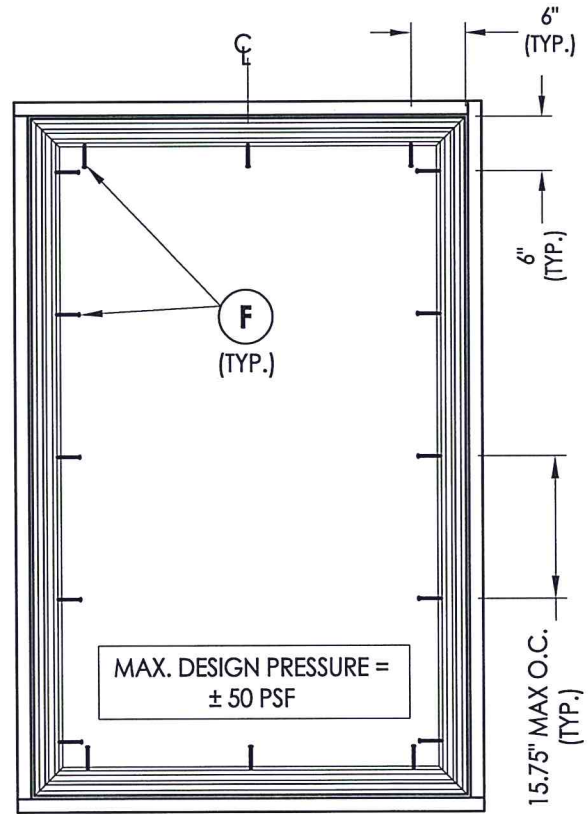
DRAWING NO.: TX-4849

SHEET 3 OF 5



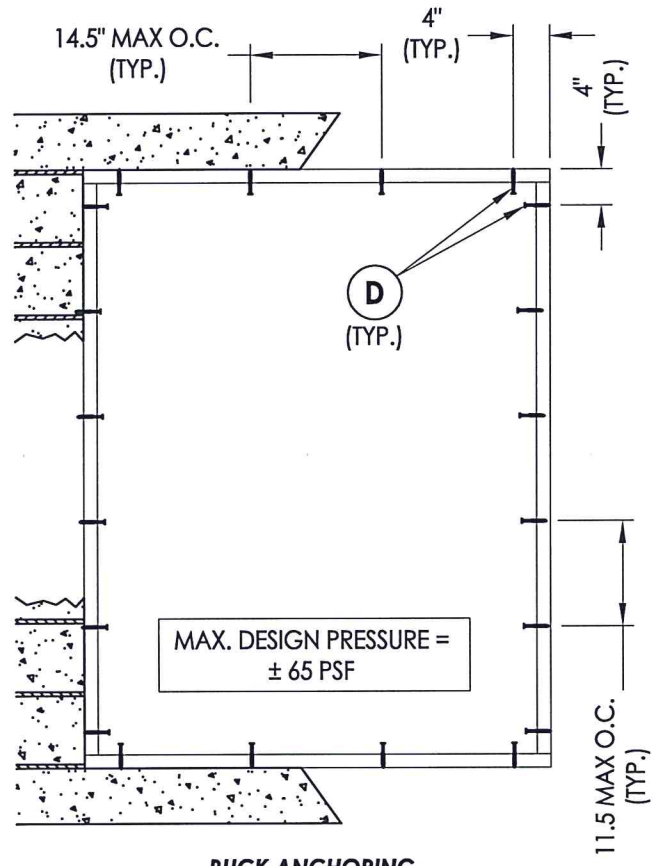
MAX. DESIGN PRESSURE = ± 50 PSF

BUCK ANCHORING
48" X 76"



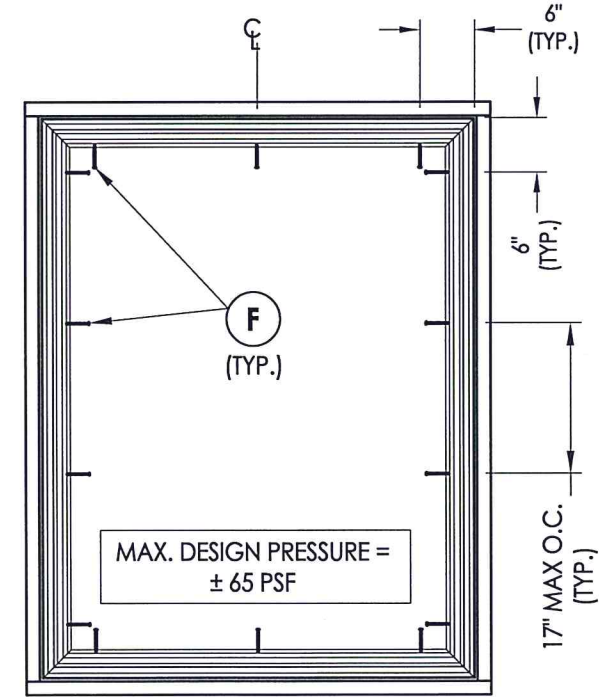
MAX. DESIGN PRESSURE = ± 50 PSF

FRAME ANCHORING
48" X 76"



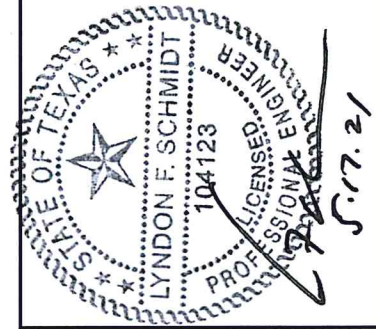
MAX. DESIGN PRESSURE = ± 65 PSF

BUCK ANCHORING
48" X 63"



MAX. DESIGN PRESSURE = ± 65 PSF

FRAME ANCHORING
48" X 63"



Documents Prepared By: Lyndon F. Schmidt, P.E.
TEXAS P.E. #104123

RW BUILDING CONSULTANTS, INC.
P.O. Box 230 Valrico FL 33595
Phone No.: 813.659.9197
TEXAS BOARD OF PROFESSIONAL ENGINEERS
CERTIFICATE OF REGISTRATION # F-11852

PRODUCT:		SOFT-LITE WINDOWS	
PART OR ASSEMBLY:		BUCK & FRAME ANCHORING	
NO.	DATE	BY	REVISIONS
1	5/11/21	LFS	UPDATE TO 2018 IBC/IRC
DATE: 6/15/18			
SCALE: N.T.S.			
DWG. BY: JK			
CHK. BY: LFS			
DRAWING NO.: TX-4849			
SHEET 4 OF 5			

BILL OF MATERIALS		
ITEM #		MATERIAL
B	2X FRAMING (SG >= 0.42)	WOOD
C	1/4" MAX. SHIM SPACE	-
D	1/4" X 2-3/4" PFH ITW CONCRETE SCREW	STEEL
E	MASONRY - 3,000 PSI MIN. CONCRETE CONFORMING TO ACI 301 OR HOLLOW BLOCK CONFORMING TO ASTM C90	CONCRETE
F	#8-15 X 2-1/2" TRUSS HEAD SMS (1-3/8" MIN. EMBEDMENT)	STEEL
1	FRAME*	PVC
2	CHANNEL COVER*	PVC
3	GLAZING BEAD*	PVC

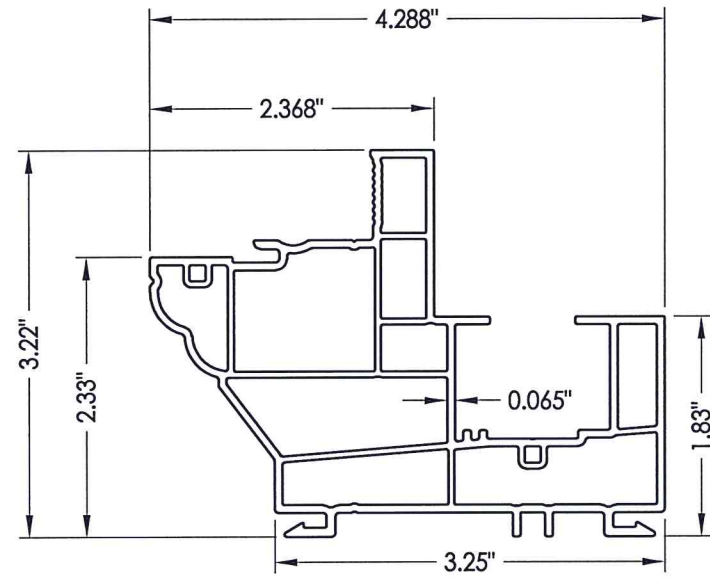
* THE APPROVED WHITE RIGID PVC EXTERIOR EXTRUSIONS FOR WINDOWS ARE TO BE PRODUCED BY EXTRUDERS LICENSEES IN "AAMA CERTIFICATIONS PROGRAMS FOR RIGID PVC EXTRUSIONS".



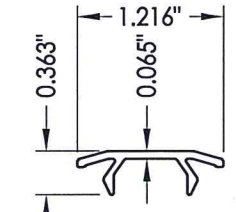
Documents Prepared By: Lyndon F. Schmidt, P.E.
TEXAS P.E. #104123

RW BUILDING CONSULTANTS, INC.
P.O. Box 230 Valrico FL 33595
Phone No.: 813.659.9197

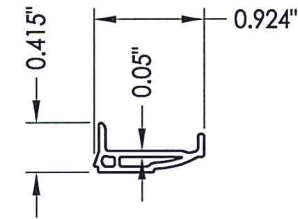
TEXAS BOARD OF PROFESSIONAL ENGINEERS
CERTIFICATE OF REGISTRATION # F-11852



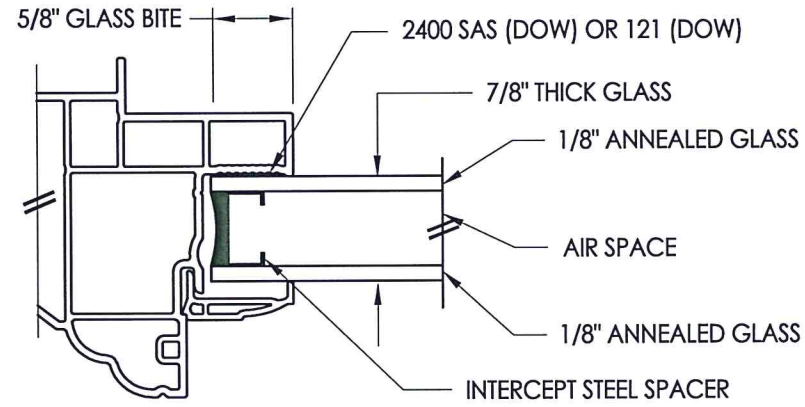
1 FRAME



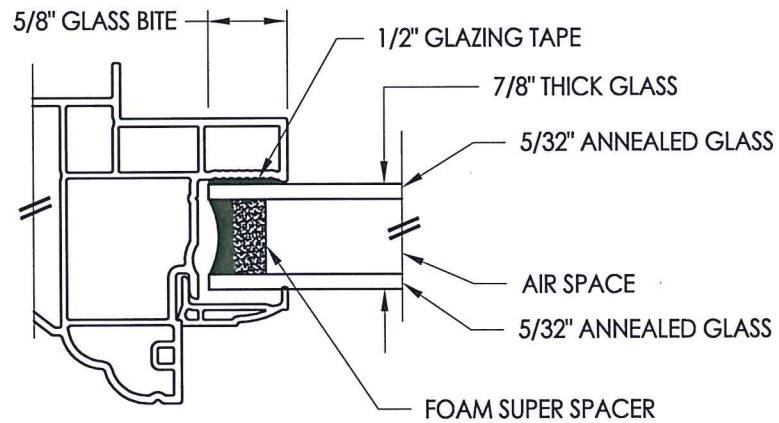
2 CHANNEL COVER



3 GLAZING BEAD



G1 GLAZING DETAIL



G2 GLAZING DETAIL

PRODUCT: SOFT-LITE WINDOWS
PART OR ASSEMBLY: BILL OF MATERIALS, COMPONENTS AND GLAZING DETAIL

NO.	DATE	DESCRIPTION	BY
1	5/11/21	UPDATE TO 2018 IBC/IRC	LFS

DATE: 6/15/18
SCALE: N.T.S.
DWG. BY: JK
CHK. BY: LFS
DRAWING NO.: TX-4849
SHEET 5 OF 5