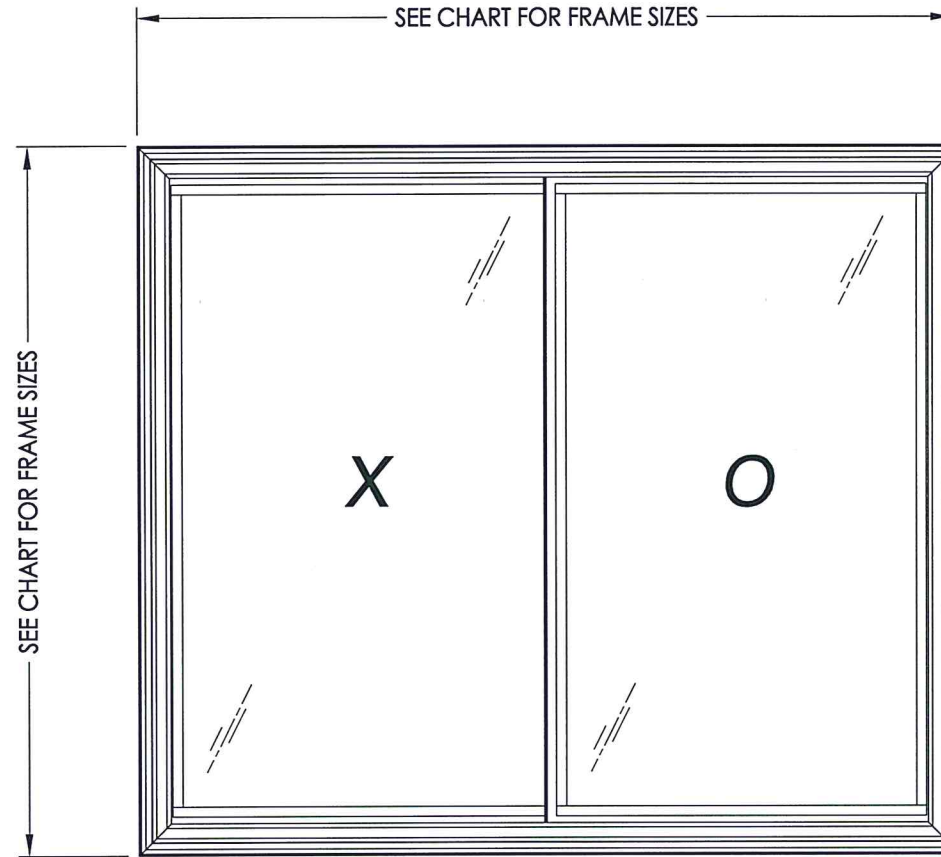




Bringing quality to light.

10250 Philipp Parkway
Streetsboro, Ohio 44241

"BARCELONA" Model "SSL30I" HORIZONTAL SLIDING WINDOW "IMPACT"



Documents Prepared By: Lyndon F. Schmidt, P.E.
TEXAS P.E. #104123

RW BUILDING CONSULTANTS, INC.
P.O. Box 230 Valrico FL 33595
Phone No.: 813.659.9197

TEXAS BOARD OF PROFESSIONAL ENGINEERS
CERTIFICATE OF REGISTRATION # F-11852

PRODUCT: SOFT-LITE WINDOWS

PART OR ASSEMBLY: TYPICAL ELEVATION, DESIGN PRESSURES & GENERAL NOTES

EVALUATED FOR USE IN THE STATE OF TEXAS

TDI WIN-2349

The Horizontal Sliding Window described herein complies with the 2018 International Residential Code (IRC), Sections R301 & R609 and the 2018 International Building Code (IBC), Sections 1404.13, 1609, 1709.5, 2403 and 2404 subject to the following conditions:

1. Anchors shall be as listed and spaced as shown in the details. Anchor embedment to base material shall be beyond roof covering.
2. When used in areas requiring wind-borne debris protection, this product complies with Section R301.2.1.2 of the IRC and Section 1609.1.2 of the IBC and does not require impact protection. This product meets the following missile levels and Wind Zones as defined in ASTM E 1996:
Glazing G1: Meets missile level "C" and excludes Wind Zones 3 & 4
Glazing G2: Meets missile level "D" and includes Wind Zone 4
3. Allowable design pressure requirements must be equal to or less than the design pressure rating shown in the design pressure chart, sheet 1 of this drawing.
4. Conditions not covered by this drawing are subject to further engineering analysis.

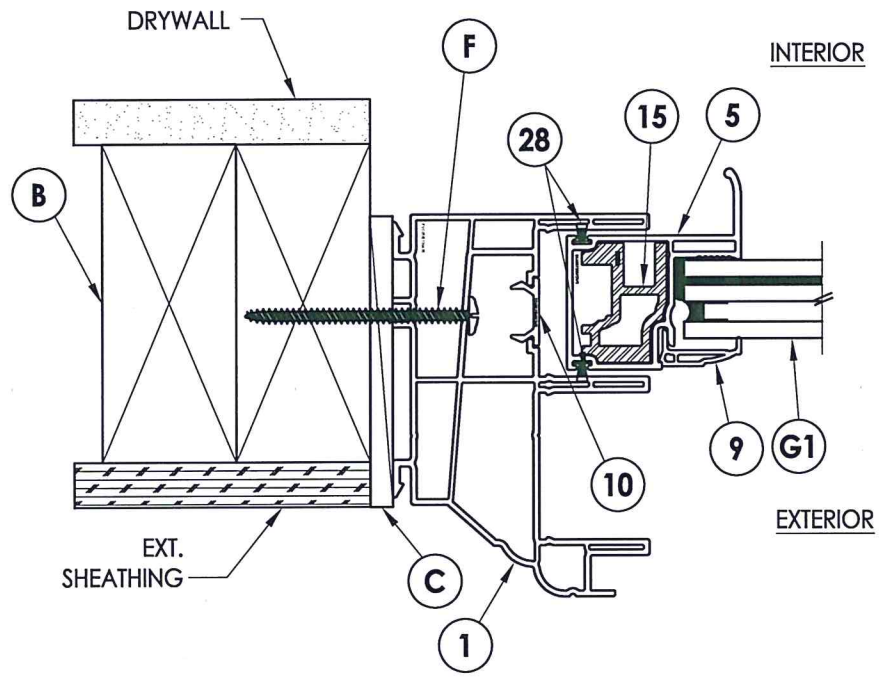
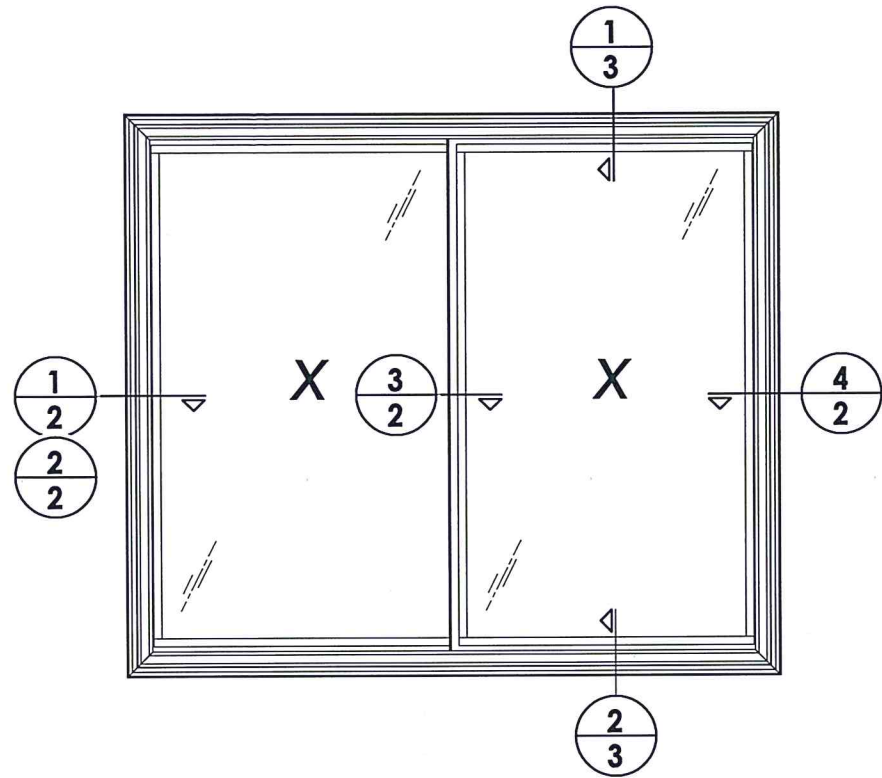
TABLE OF CONTENTS	
SHEET#	DESCRIPTION
1	Typical elevations, design pressures & general notes
2	Horizontal cross sections
3	Vertical cross sections
4	Buck and frame anchoring
5	Components
6	Bill of materials & glazing details

MAX. FRAME DIMENSION	MAX. D.L.O. DIMENSION	GLASS TYPE	MISSILE LEVEL	DESIGN PRESSURE (PSF)	
				POSITIVE	NEGATIVE
73.0" X 63.0"	31.437" x 54.375"	G1	C	+50.0	-55.0
		G2	D	+55.0*	-60.0*
73.0" X 56.0"	31.437" x 47.375"	G1	C	+55.0	-60.0
		G2	D	+55.0	-60.0
73.0" X 48.0"	31.437" x 39.375"	G1	C	+60.0	-65.0
		G2	D	+60.0	-65.0

*Requires external stile reinforcement (Item #17)

NO.	DATE	REVISIONS
1	5/11/21	UPDATE TO 2018 IBC/IRC

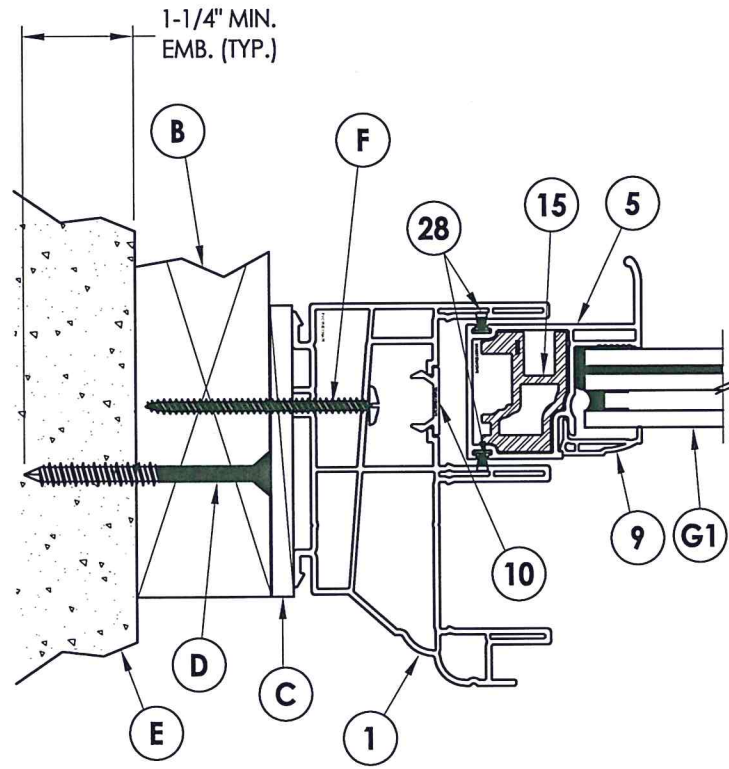
DATE: 6/26/18
SCALE: N.T.S.
DWG. BY: JK
CHK. BY: LFS
DRAWING NO.: TX-4858
SHEET 1 OF 6



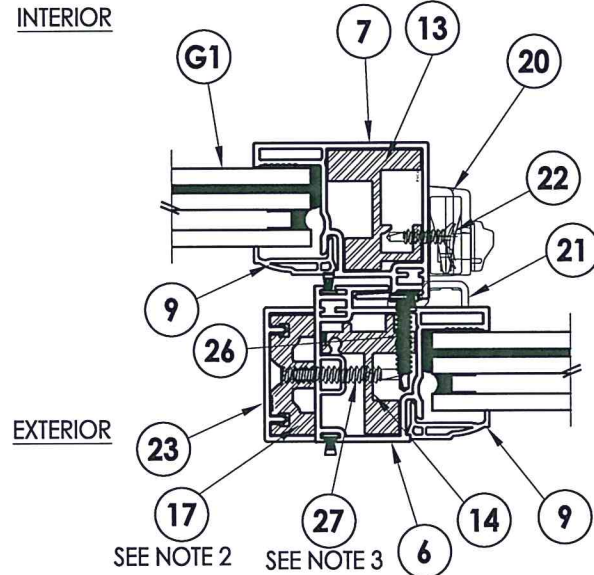
2 HORIZONTAL CROSS SECTION
2 Shown w/ Stud Framing

NOTES:

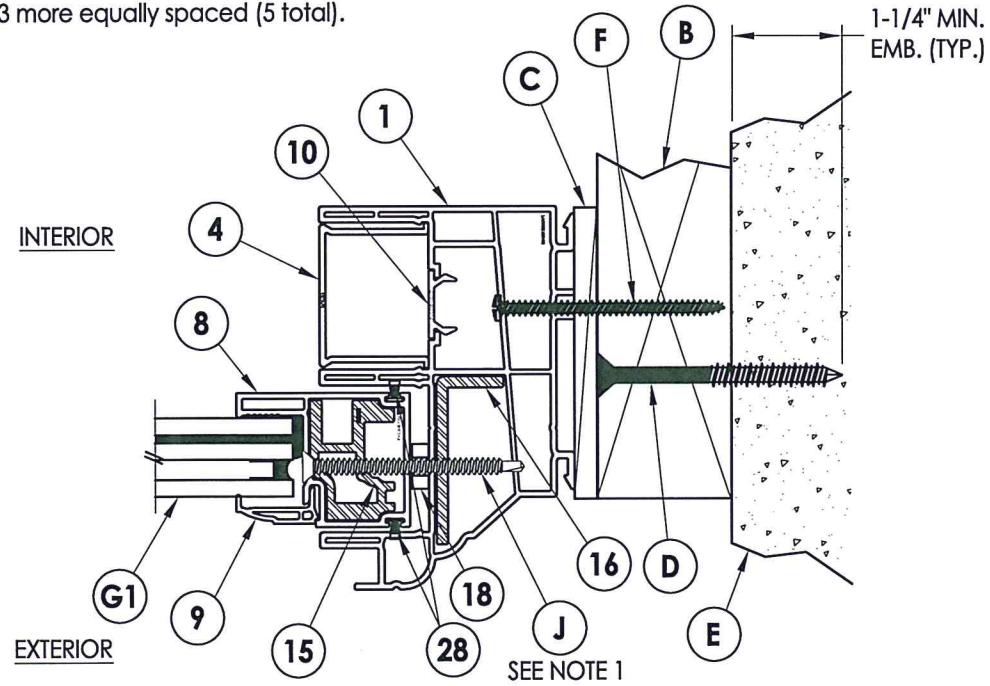
- Item #J located 7-1/4" from each end & 1 at the center (3 total).
- Item #17 required for units that require a Design Pressures > +50/-55 PSF AND are greater than 56" in height.
- Item #27 located 3" from each end and 3 more equally spaced (5 total).



1 HORIZONTAL CROSS SECTION
2 2X Buck Construction



3 HORIZONTAL CROSS SECTION
2



4 HORIZONTAL CROSS SECTION
2 2X Buck Construction

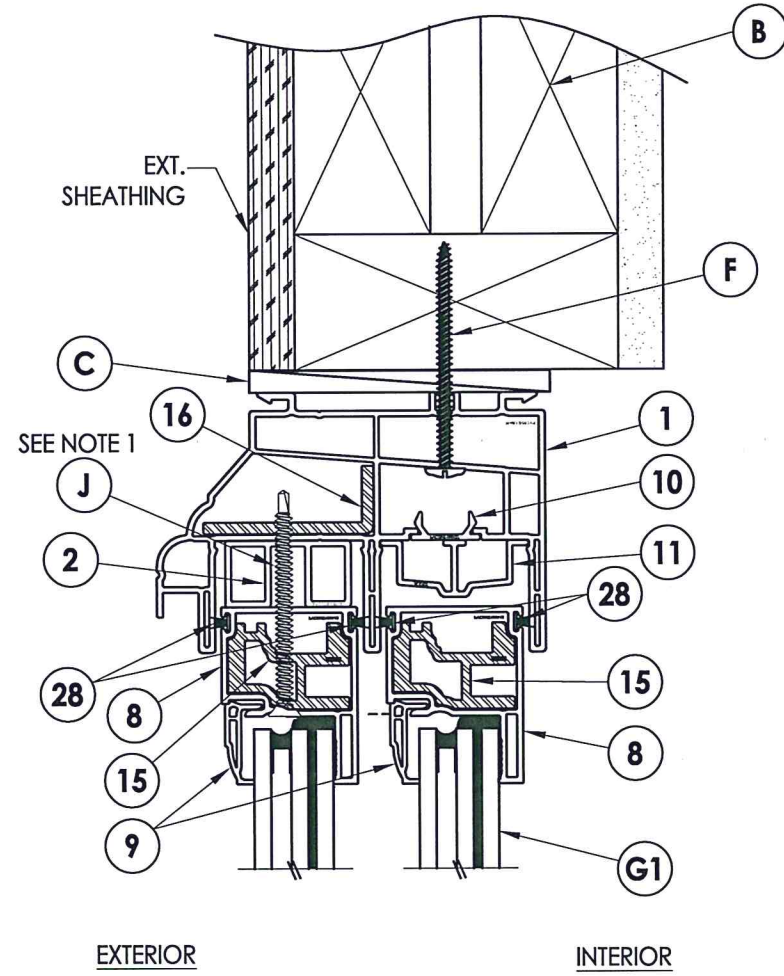


Documents Prepared By: Lyndon F. Schmidt, P.E.
TEXAS P.E. #104123

RW BUILDING CONSULTANTS, INC.
P.O. Box 230 Valrico FL 33595
Phone No.: 813.659.9197

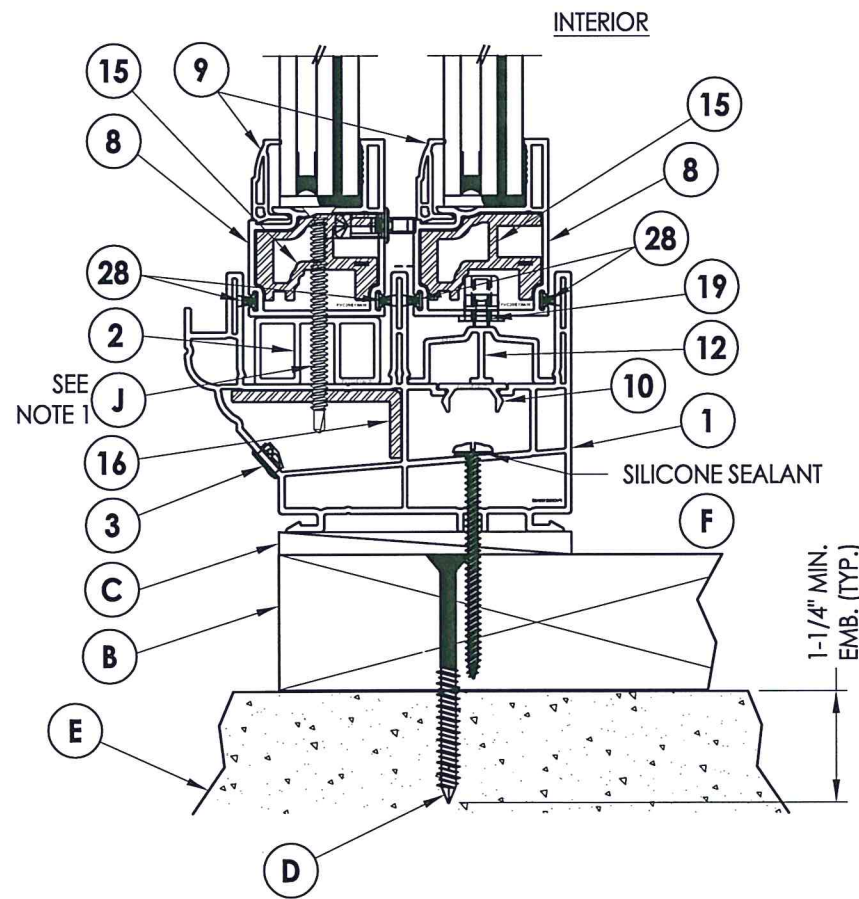
TEXAS BOARD OF PROFESSIONAL ENGINEERS
CERTIFICATE OF REGISTRATION # F-11852

PRODUCT:		SOFT-LITE WINDOWS	
PART OR ASSEMBLY:		HORIZONTAL CROSS SECTIONS	
NO.	DATE	BY	REVISIONS
1	5/11/21	LFS	UPDATE TO 2018 IBC/IRC
DATE: 6/26/18		SCALE: N.T.S.	
DWG. BY: JK		CHK. BY: LFS	
DRAWING NO.: TX-4858		SHEET 2 OF 6	



1 VERTICAL CROSS SECTION
3 Shown w/ Stud Framing

NOTE:
 1. Item #J located 4-1/8", 17-3/8", 29-1/4" and 31-1/4" from Jamb stile end (4 total).



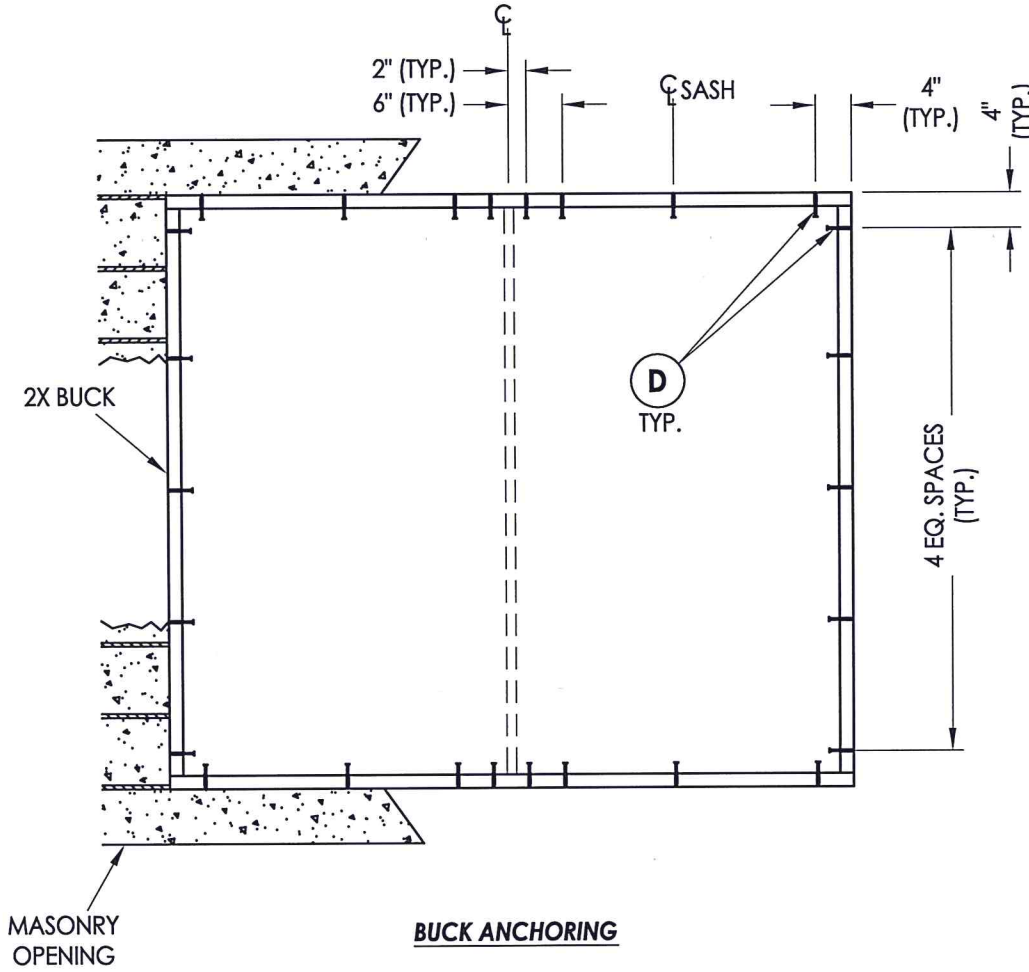
2 VERTICAL CROSS SECTION
3 2X Buck Construction



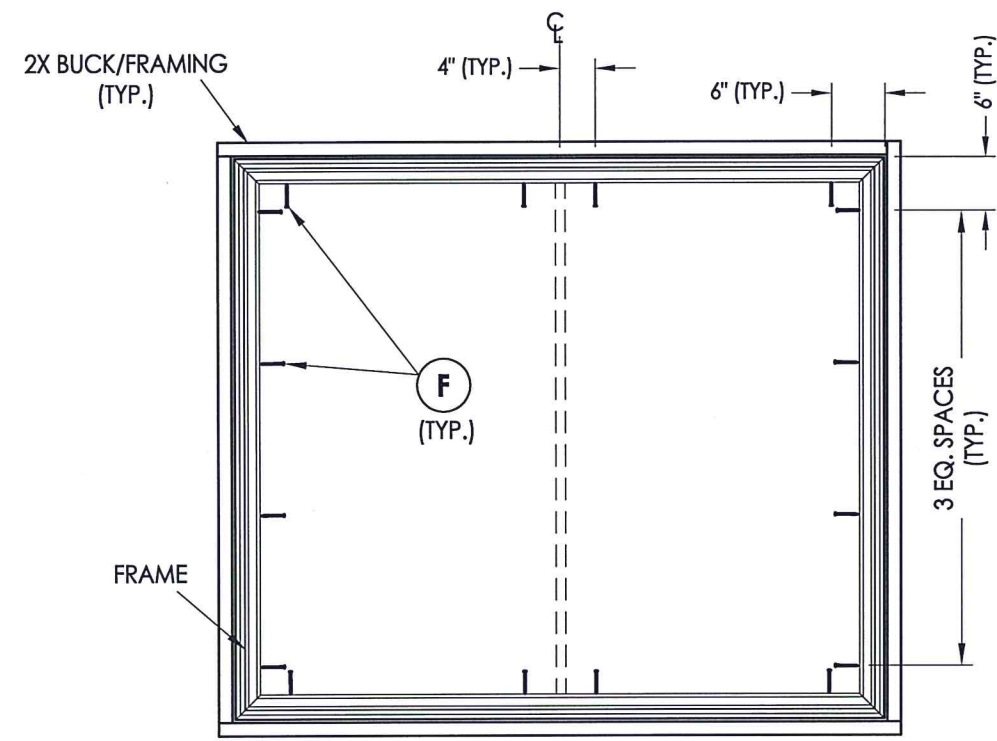
Documents Prepared By: Lyndon F. Schmidt, P.E.
 TEXAS P.E. #104123

RW BUILDING CONSULTANTS, INC.
 P.O. Box 230 Valrico FL 33595
 Phone No.: 813.659.9197
 TEXAS BOARD OF PROFESSIONAL ENGINEERS
 CERTIFICATE OF REGISTRATION # F-11852

PRODUCT:		SOFT-LITE WINDOWS	
PART OR ASSEMBLY:		VERTICAL CROSS SECTIONS	
NO.	DATE	BY	REVISIONS
1	5/11/21	LFS	UPDATE TO 2018 IBC/IRC
DATE: 6/26/18			
SCALE: N.T.S.			
DWG. BY: JK			
CHK. BY: LFS			
DRAWING NO.: TX-4858			
SHEET 3 OF 6			



BUCK ANCHORING



FRAME ANCHORING

CONCRETE ANCHOR NOTES:

1. Concrete anchor locations at the corners may be adjusted to maintain the min. edge distance to mortar joints.
2. Concrete anchor locations noted as "MAX. ON CENTER" must be adjusted to maintain the min. edge distance to mortar joints, additional concrete anchors may be required to ensure the "MAX. ON CENTER" dimension are not exceeded.
3. Concrete anchor table:

ANCHOR TYPE	ANCHOR SIZE	MIN. EMBEDMENT	MIN. CLEARANCE TO MASONRY EDGE	MIN. CLEARANCE TO ADJACENT ANCHOR
ITW TAPCON®	1/4"	1-1/4"	2"	4"

WOOD SCREW INSTALLATION NOTES:

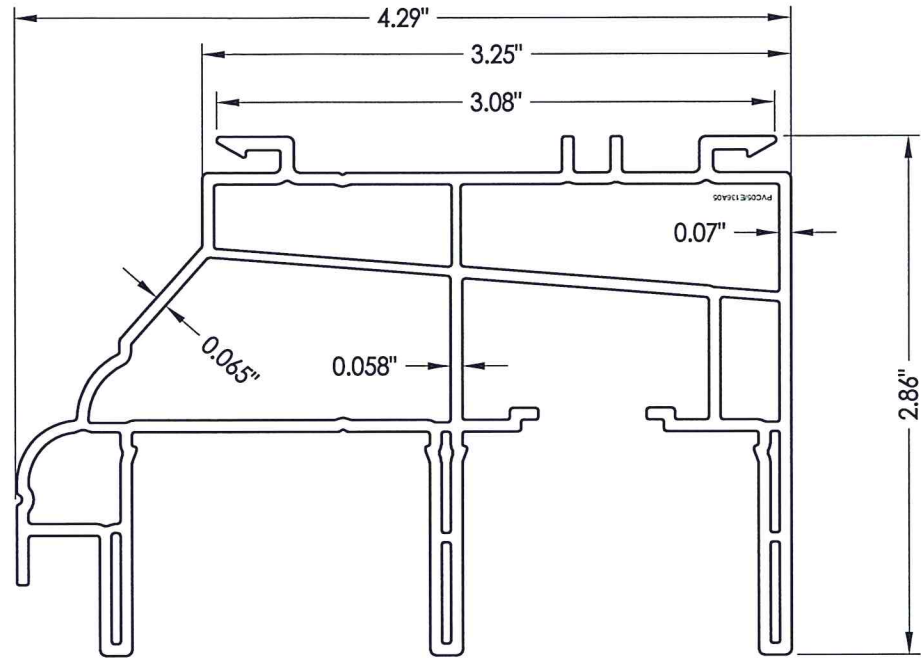
1. Maintain a minimum 5/8" edge distance, 1" end distance, & 1" o.c. spacing of wood screws to prevent the splitting of wood.



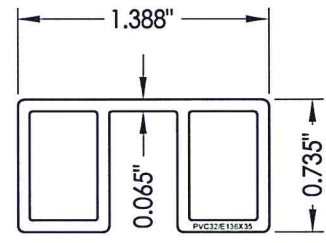
Documents Prepared By: Lyndon F. Schmidt, P.E.
TEXAS P.E. #104123

RW BUILDING CONSULTANTS, INC.
P.O. Box 230 Valrico FL, 33595
Phone No.: 813.659.9197
TEXAS BOARD OF PROFESSIONAL ENGINEERS
CERTIFICATE OF REGISTRATION # F-11852

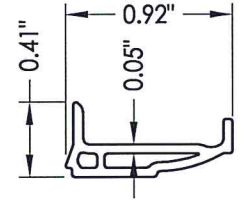
PRODUCT:	SOFT-LITE WINDOWS	
PART OR ASSEMBLY:	BUCK & FRAME ANCHORING	
NO.	DATE	BY
1	5/11/21	LFS
UPDATE TO 2018 IBC/IRC		
REVISIONS		
DATE:	6/26/18	
SCALE:	N.T.S.	
DWG. BY:	JK	
CHK. BY:	LFS	
DRAWING NO.:	TX-4858	
SHEET	4	OF 6



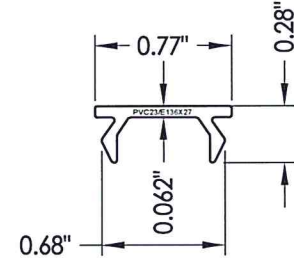
1 FRAME



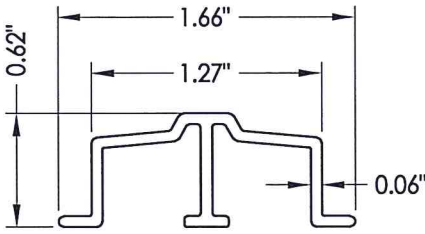
2 HS FIXED PANEL SPACER



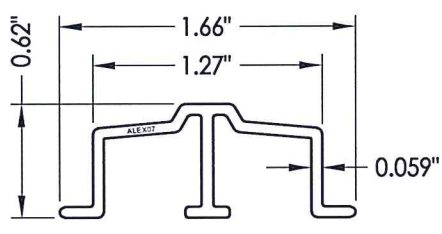
9 GLAZING BEAD



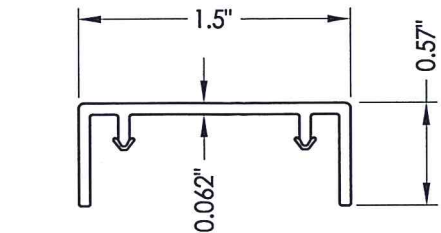
10 COVER



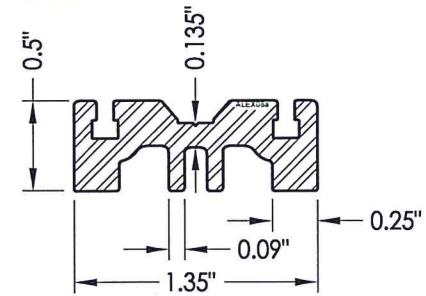
11 ANTLIFT TRACK



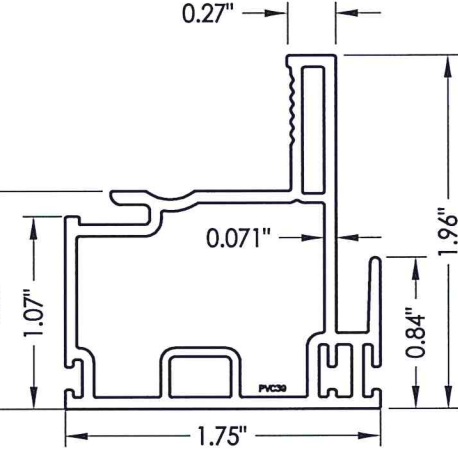
12 SILL ROLLER TRACK



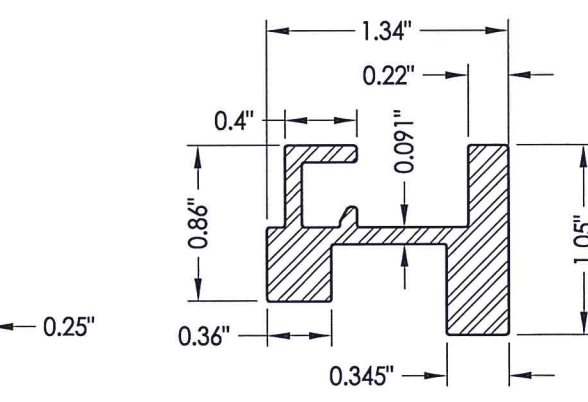
23 PVC COVER FOR HS REINFORCING BAR



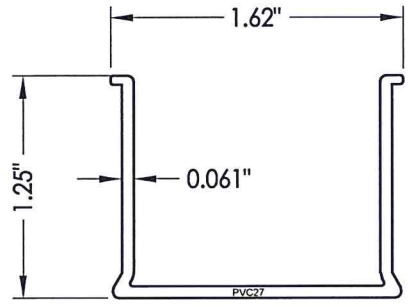
17 REINFORCEMENT



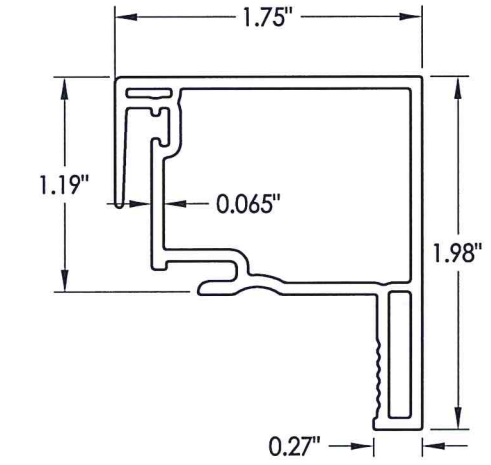
6 KEEPER RAIL



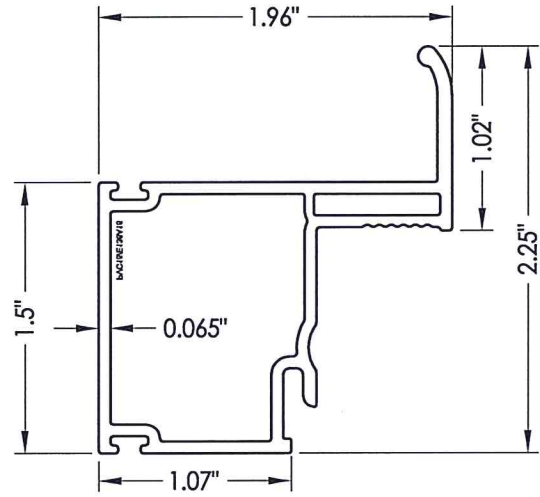
13 REINFORCEMENT



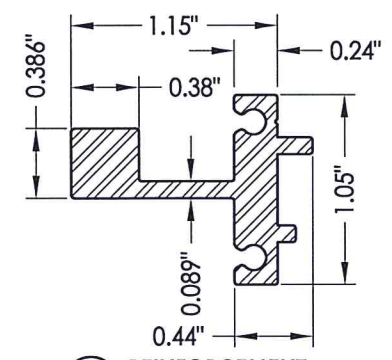
4 FRAME FILLER



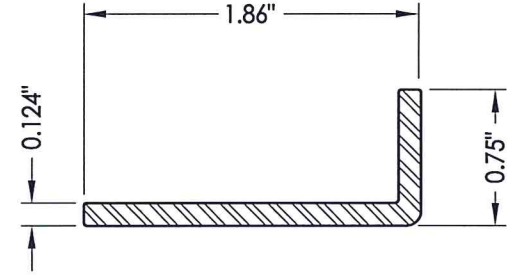
7 LOCK RAIL



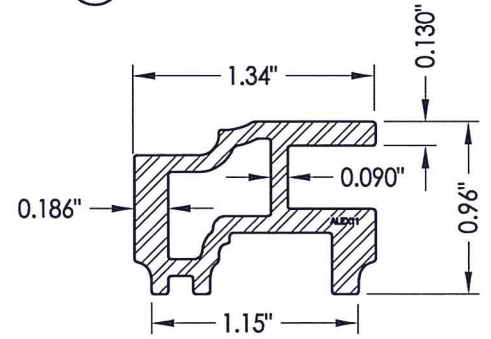
5 HANDLE SASH



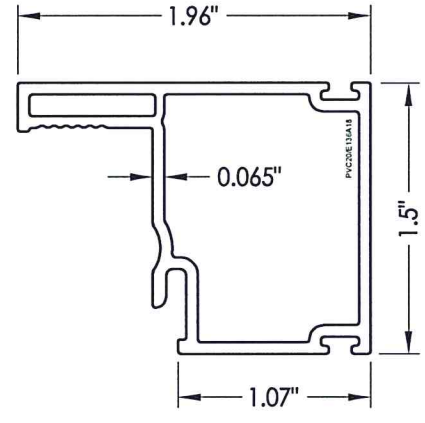
14 REINFORCEMENT



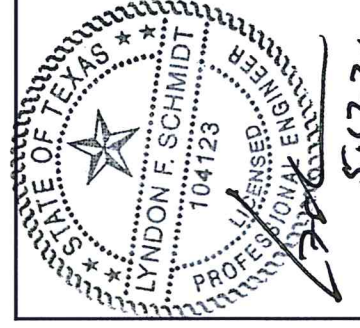
16 REINFORCEMENT



15 REINFORCEMENT



8 MAIN SASH



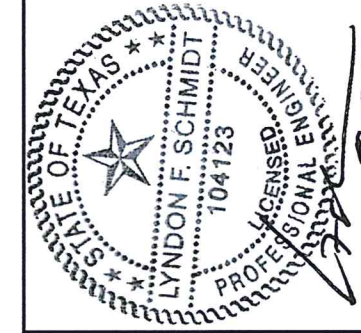
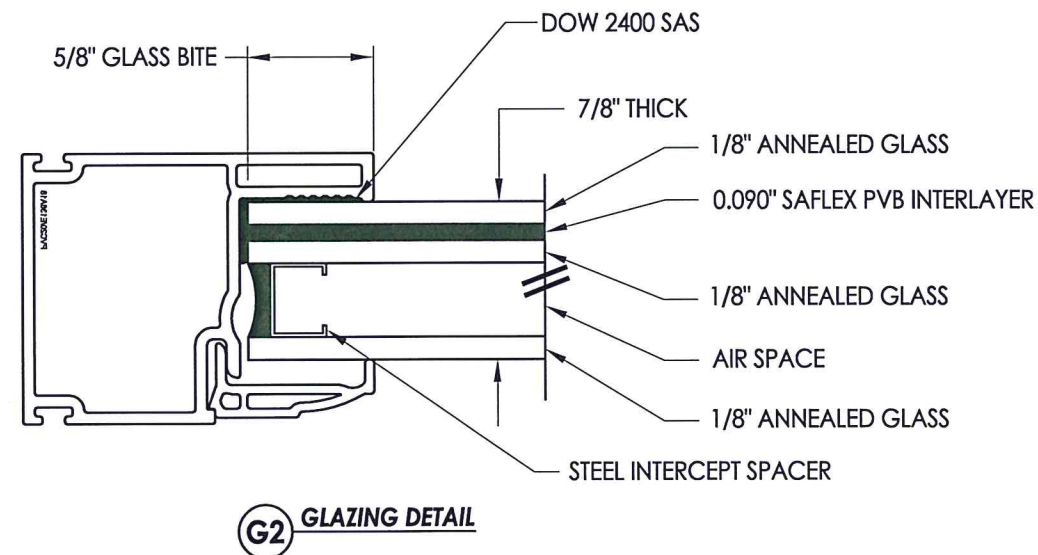
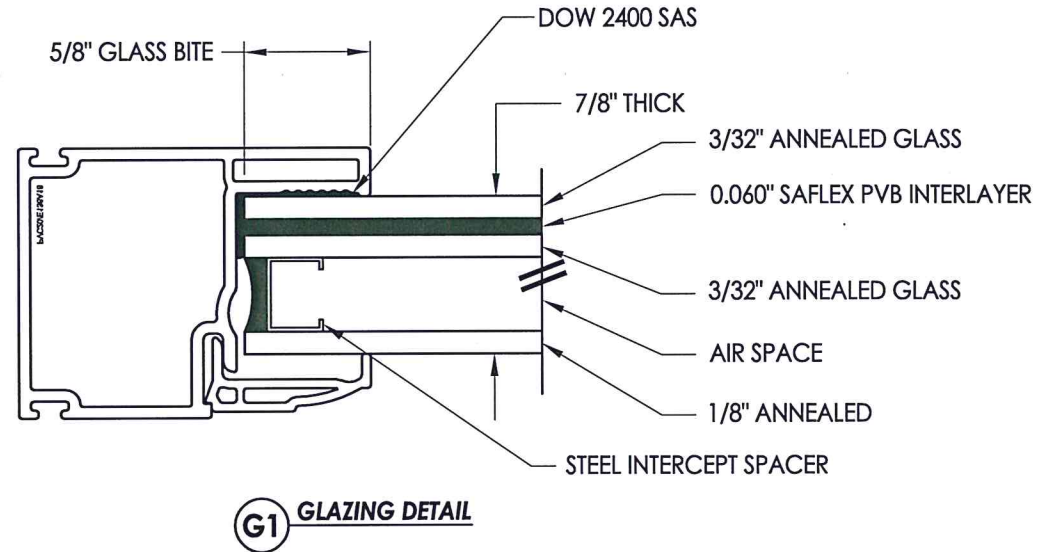
Documents Prepared By: Lyndon F. Schmidt, P.E.
 TEXAS P.E. #104123
RW BUILDING CONSULTANTS, INC.
 P.O. Box 230 Valrico FL 33595
 Phone No.: 813.659.9197
 TEXAS BOARD OF PROFESSIONAL ENGINEERS
 CERTIFICATE OF REGISTRATION # F-11852

PRODUCT:		SOFT-LITE WINDOWS	
PART OR ASSEMBLY:		COMPONENTS	
NO.	DATE	BY	REVISIONS
1	5/11/21	LFS	UPDATE TO 2018 IBC/IRC
DATE: 6/26/18		SCALE: N.T.S.	
DWG. BY: JK		CHK. BY: LFS	
DRAWING NO.: TX-4858		SHEET 5 OF 6	

BILL OF MATERIALS

ITEM #		MATERIAL
B	2X FRAMING (SG >= 0.42)	WOOD
C	1/4" MAX. SHIM SPACE	-
D	1/4" X 2-3/4" PFH ITW CONCRETE SCREW	STEEL
E	MASONRY - 3,000 PSI MIN. CONCRETE CONFORMING TO ACI 301 OR HOLLOW BLOCK CONFORMING TO ASTM C90	CONCRETE
F	#8-15 X 2-1/2" TRUSS HEAD SMS (1-3/8" MIN. EMBEDMENT)	STEEL
J	#10-16 X 2-1/2" PFH TEK SS	STEEL
1	FRAME*	PVC
2	HS FIXED PANEL SPACER*	PVC
3	WEEP HOLE COVER*	PVC
4	FRAME FILLER*	PVC
5	HANDLE SASH*	PVC
6	KEEPER RAIL*	PVC
7	LOCK RAIL*	PVC
8	MAIN SASH*	PVC
9	GLAZING BEAD*	PVC
10	COVER*	PVC
11	ANTILIFT TRACK*	PVC
12	ROLLER SILL TRACK	ALUM.
13	REINFORCEMENT (6065-T5 ALUM)	ALUM.
14	REINFORCEMENT (6065-T5 ALUM)	ALUM.
15	REINFORCEMENT (6065-T5 ALUM)	ALUM.
16	REINFORCEMENT (6065-T5 ALUM)	ALUM.
17	REINFORCEMENT (6065-T5 ALUM)	ALUM.
18	SPACER	-
19	ROLLER ASSM.	-
20	LOCK	-
21	LOCK KEEPER	SS
22	#7 X 3/4" PFH TEK (LOCK)	SS
23	PVC COVER FOR HS REINFORCING BAR (item #17)	PVC
26	#8 X 1" PPH TEK (KEEPER)	SS
28	WEATHERSTRIP (187-270 TRI-FIN)	-

* THE APPROVED WHITE RIGID PVC EXTRUSIONS FOR WINDOWS ARE TO BE PRODUCED BY EXTRUDERS LICENSEES IN "AAMA CERTIFICATIONS PROGRAMS FOR RIGID PVC EXTRUSIONS".



Documents Prepared By: Lyndon F. Schmidt, P.E.
TEXAS P.E. #104123

RW BUILDING CONSULTANTS, INC.
P.O. Box 230 Valrico FL, 33595
Phone No.: 813.659.9197

TEXAS BOARD OF PROFESSIONAL ENGINEERS
CERTIFICATE OF REGISTRATION # F-11852

PRODUCT:	SOFT-LITE WINDOWS	
PART OR ASSEMBLY:	BILL OF MATERIALS & GLAZING DETAILS	
NO.	DATE	BY
1	5/11/21	LFS
UPDATE TO 2018 IBC/IRC		
REVISIONS		
DATE:	6/26/18	
SCALE:	N.T.S.	
DWG. BY:	JK	
CHK. BY:	LFS	
DRAWING NO.:	TX-4858	
SHEET	6	OF 6