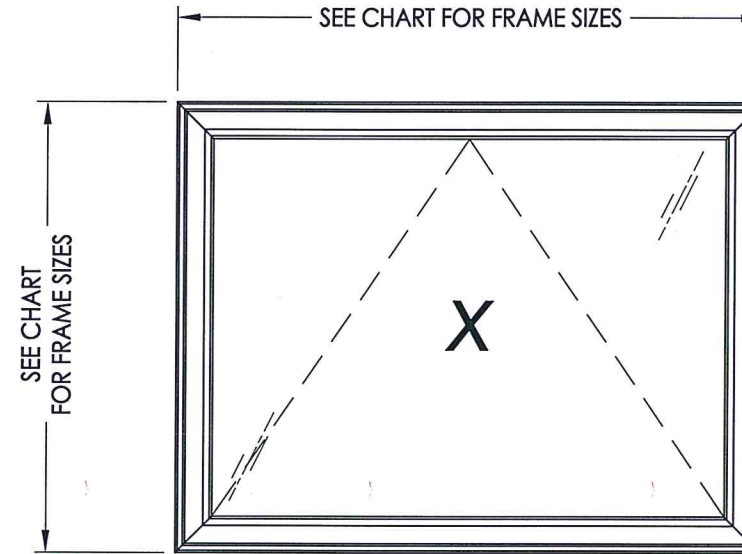




Bringing quality to light.

10250 Philipp Parkway
Streetsboro, Ohio 44241

"Premium AW" AWNING WINDOW "NON-IMPACT"



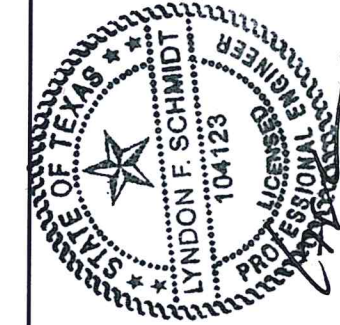
EVALUATED FOR USE IN THE STATE OF TEXAS

The Awning Window described herein complies with the 2018 International Residential Code (IRC), Sections R301 & R609 and the 2018 International Building Code (IBC), Sections 1404.13, 1609, 1709.5, 2403 and 2404 subject to the following conditions:

1. Anchors shall be as listed and spaced as shown in the details. Anchor embedment to base material shall be beyond roof covering.
2. When used in areas requiring wind-borne debris protection this product is required to be protected with an impact resistant covering that complies with Section R301.2.1.2 of the IRC and Section 1609.2 of the IBC.
3. Allowable design pressure requirements must be equal to or less than the design pressure rating shown in the design pressure chart, sheet 1 of this drawing.
4. Conditions not covered by this drawing are subject to further engineering analysis.

TABLE OF CONTENTS	
SHEET#	DESCRIPTION
1	Typical elevations, design pressures and general notes
2	Horizontal and vertical cross sections
3	Buck & frame anchoring
4	Bill of materials, components and glazing details

MAX. FRAME DIMENSION	MAX. D.L.O. DIMENSION	GLASS TYPE	DESIGN PRESSURE (PSF)	
			POSITIVE	NEGATIVE
52.0" X 40.0"	45.5" x 33.5"	G1	+45.0	-45.0
48.0" X 32.0"	41.5" x 25.5"	G1	+50.0	-50.0

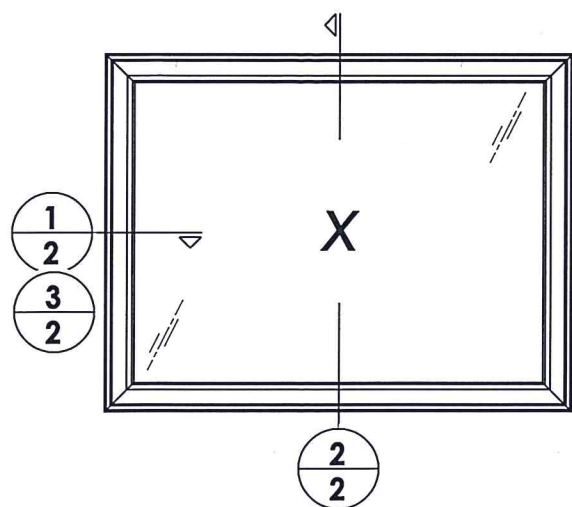


Documents Prepared By: Lyndon F. Schmidt, P.E.
TEXAS P.E. #104123

RW BUILDING CONSULTANTS, INC.
P.O. Box 230 Valrico FL 33595
Phone No.: 813.659.9197
TEXAS BOARD OF PROFESSIONAL ENGINEERS
CERTIFICATE OF REGISTRATION # F-11852

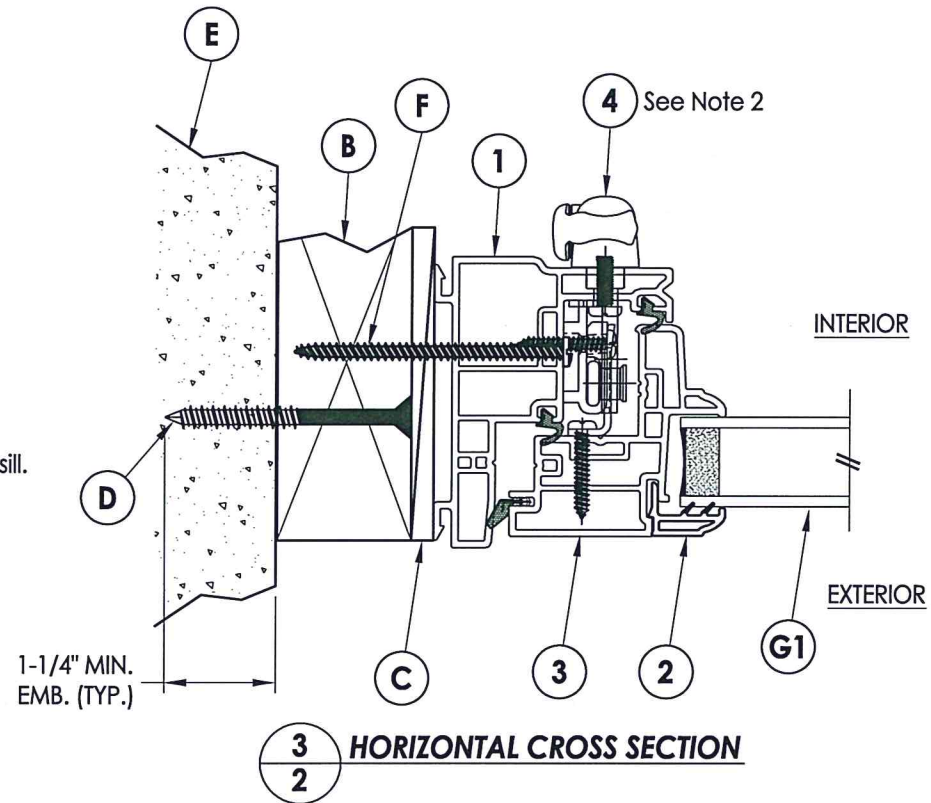
PRODUCT:	SOFT-LITE WINDOWS
PART OR ASSEMBLY:	TYPICAL ELEVATION, DESIGN PRESSURES & GENERAL NOTES
DATE:	11/9/15
SCALE:	N.T.S.
DWG. BY:	JK
CHK. BY:	LFS
DRAWING NO.:	TX-4582
SHEET	1 OF 4

R:\Clients\Soft-Lite Permanent\B - Texas Dept of Ins\WIN-2150 Awning Window Premium AW N1C- Drawings\2018 IBC UPDATE\TX-4582.dwg, 2.1

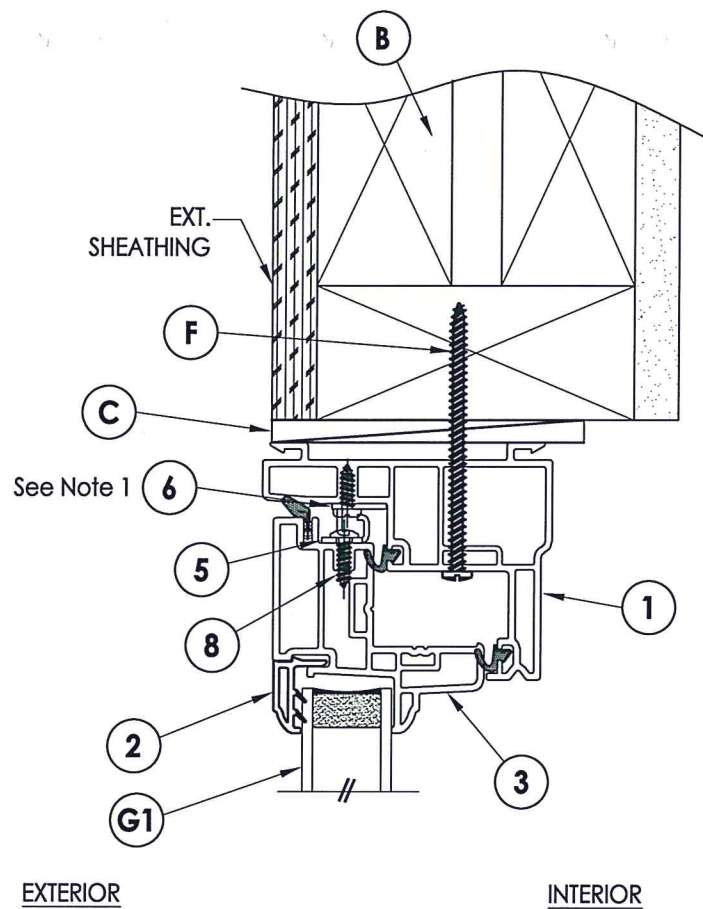


Hardware Notes:

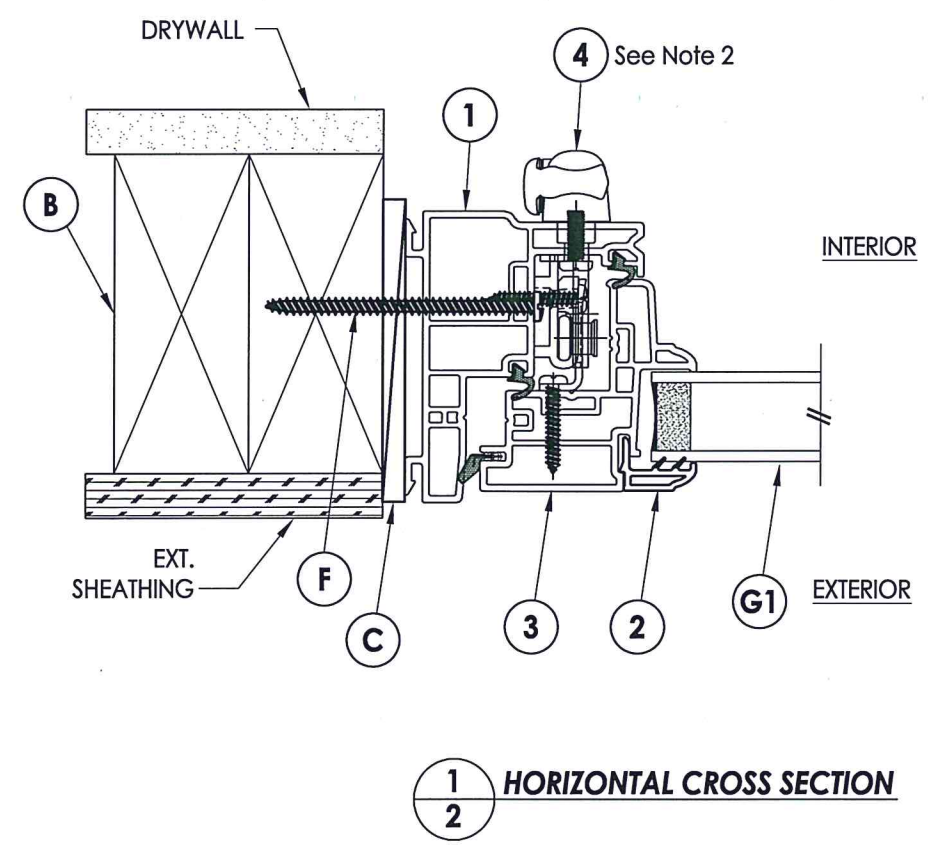
- 1. Snubber/retainer (1) located at center of head.
- 2. Locks/keepers (2) located 9" up from bottom edge of sill.
- 3. Operator (1) located at center of sill.



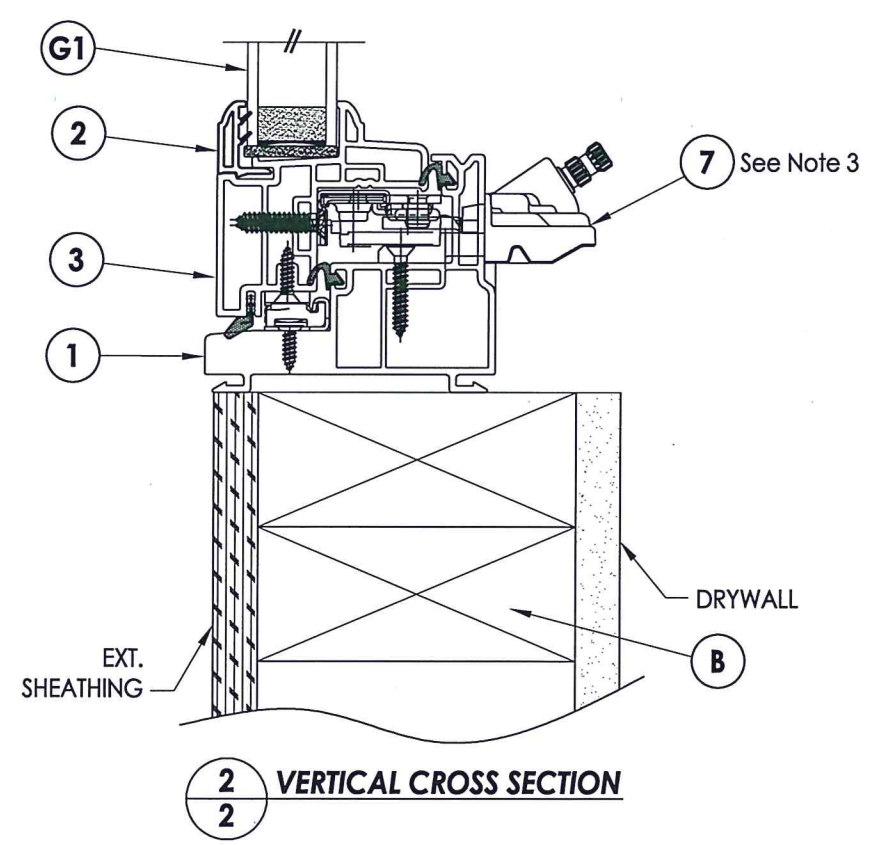
3 HORIZONTAL CROSS SECTION



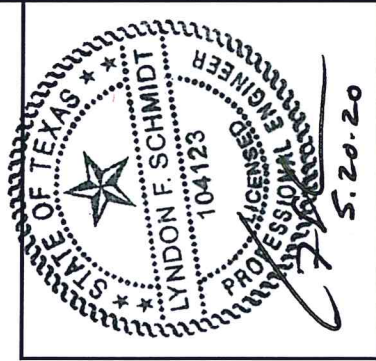
2 HORIZONTAL CROSS SECTION



1 HORIZONTAL CROSS SECTION



2 VERTICAL CROSS SECTION

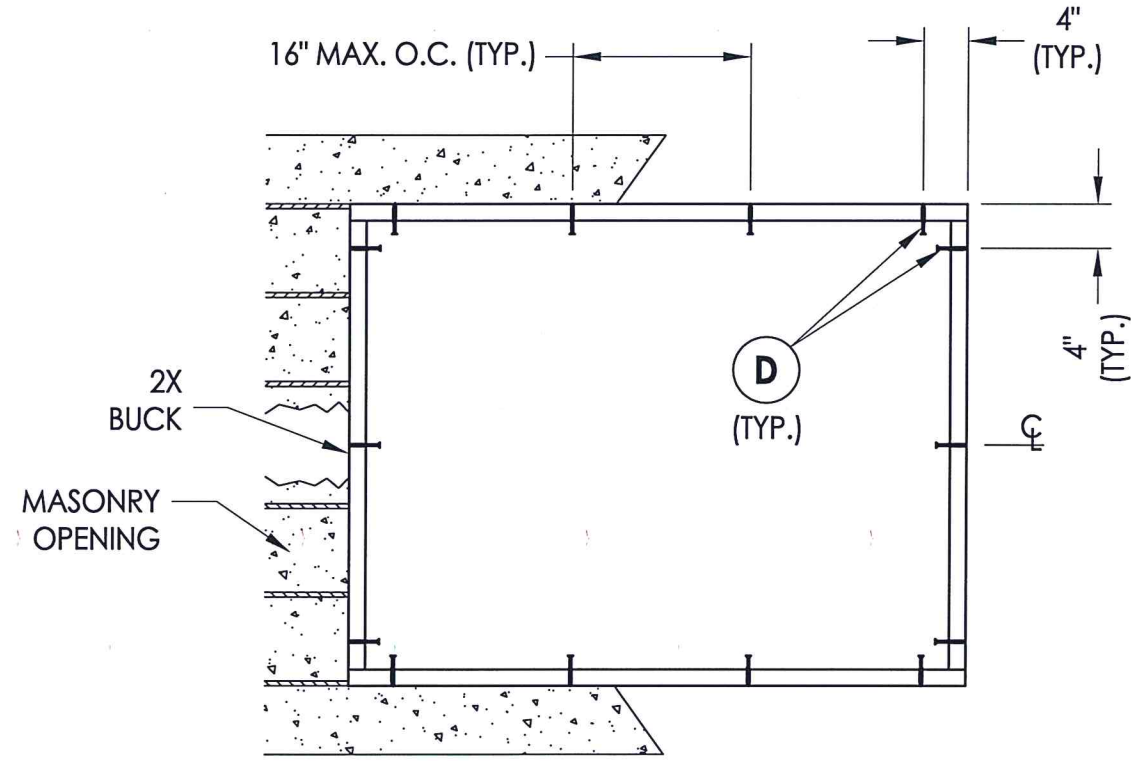


Documents Prepared By: Lyndon F. Schmidt, P.E.
TEXAS P.E. #104123

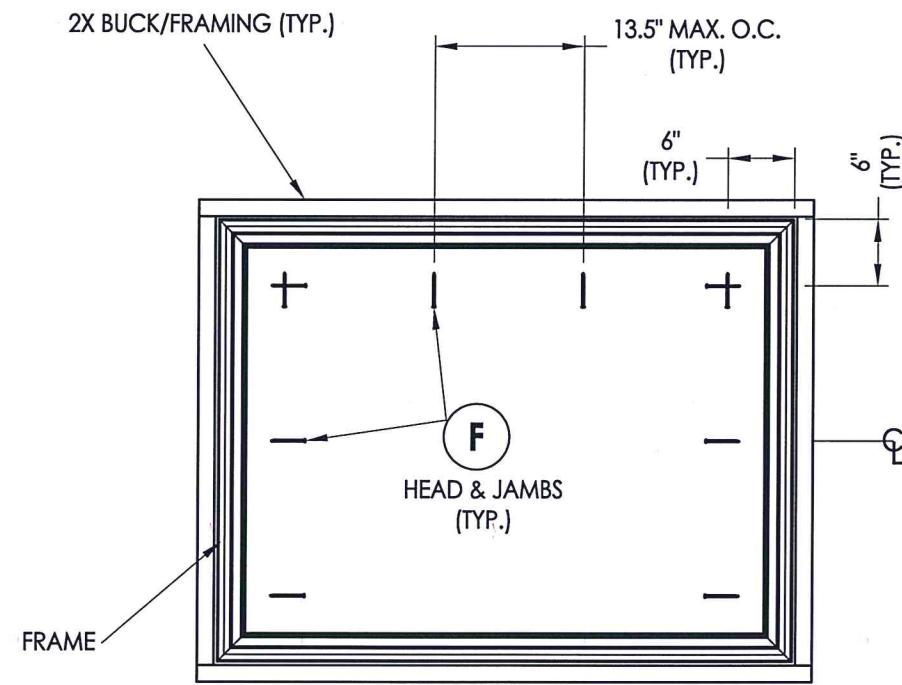
R.W. BUILDING CONSULTANTS, INC.
P.O. Box 230 Valrico FL 33595
Phone No.: 813.659.9197

TEXAS BOARD OF PROFESSIONAL ENGINEERS
CERTIFICATE OF REGISTRATION # F-11852

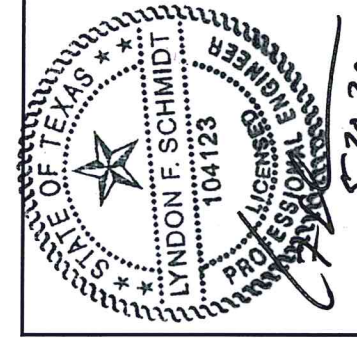
PRODUCT: SOFT-LITE WINDOWS	
PART OR ASSEMBLY: HORIZONTAL AND VERTICAL CROSS SECTIONS	
NO.	DATE
1	5/20/20
UPDATE TO 2018 IBC/IRC & REVISE DESIGN PRESSURE TABLE	
BY	REVISIONS
LFS	
DATE: 11/9/15	
SCALE: N.T.S.	
DWG. BY: JK	
CHK. BY: LFS	
DRAWING NO.: TX-4582	
SHEET 2 OF 4	



BUCK ANCHORING
2X BUCK MASONRY CONSTRUCTION



FRAME ANCHORING



Documents Prepared By: Lyndon F. Schmidt, P.E.
TEXAS P.E. #104123

R.W. BUILDING CONSULTANTS, INC.
P.O. Box 230 Vairico FL 33595
Phone No.: 813.659.9197

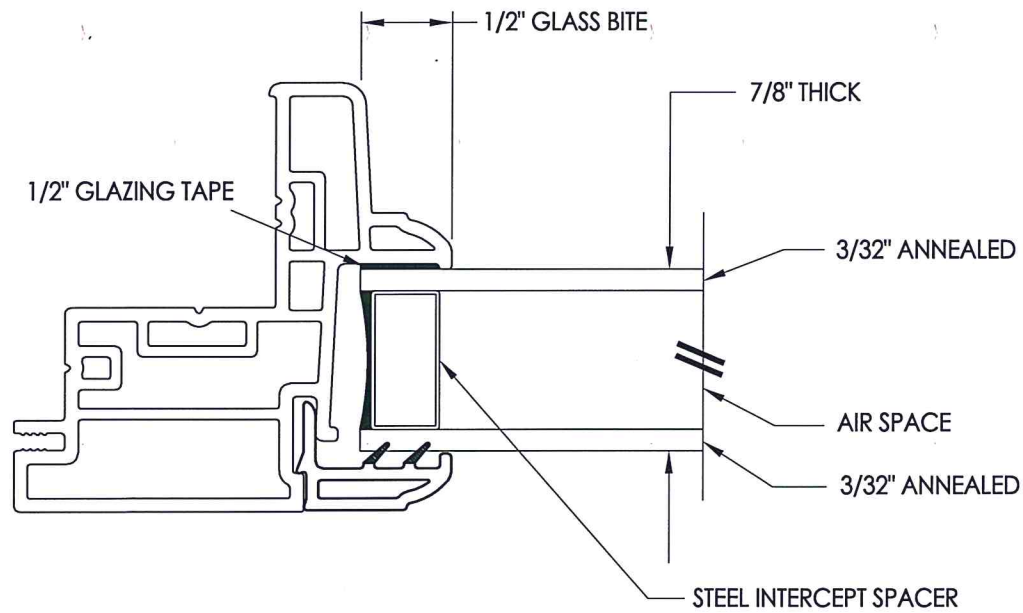
TEXAS BOARD OF PROFESSIONAL ENGINEERS
CERTIFICATE OF REGISTRATION # F-11852

PRODUCT: SOFT-LITE WINDOWS	
PART OR ASSEMBLY: BUCK & FRAME ANCHORING	
NO.	DATE
1	5/20/20
UPDATE TO 2018 IBC/IRC & REVISE DESIGN PRESSURE TABLE	
LFS	BY
REVISIONS	
DATE: 11/9/15	
SCALE: N.T.S.	
DWG. BY: JK	
CHK. BY: LFS	
DRAWING NO.: TX-4582	
SHEET 3 OF 4	

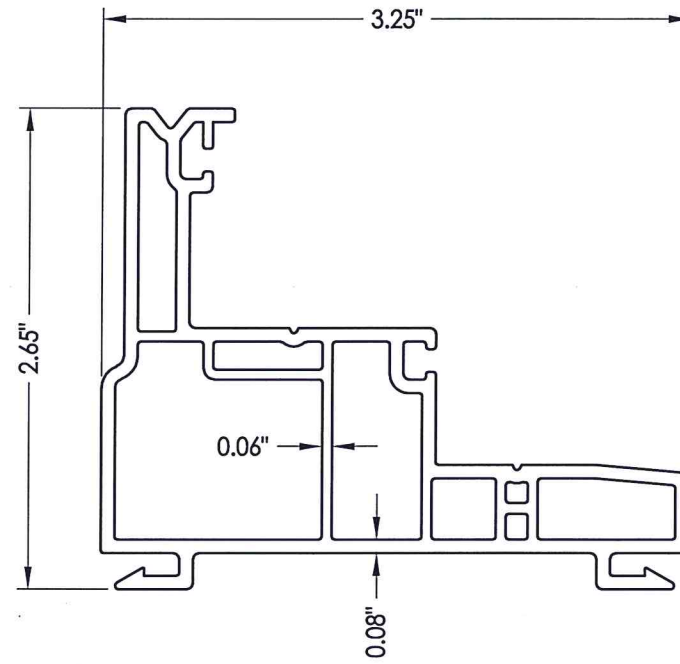
BILL OF MATERIALS

ITEM #	DESCRIPTION	MATERIAL
B	2X FRAMING (SG >= 0.42)	WOOD
C	1/4" MAX. SHIM SPACE	-
D	1/4" X 2-3/4" PFH ITW CONCRETE SCREW	STEEL
E	MASONRY - 3,000 PSI MIN. CONCRETE CONFORMING TO ACI 301 OR HOLLOW BLOCK CONFORMING TO ASTM C90	CONCRETE
F	#10 X 3" PPH SMS (1-5/16" MIN. EMBEDMENT)	STEEL
1	AWNING MAIN FRAME*	PVC
2	GLAZING BEAD*	PVC
3	AWNING MAIN SASH*	PVC
4	LOCK HANDLE ASSY. (MULTI-POINT LOCK)	STEEL
5	SNUBBER	-
6	SNUBBER RETAINER	-
7	AWNING OPERATOR	STEEL
8	#8 X 5/8" PPH SMS	STEEL
10	LOCKING BAR RETAINER CLIP	STEEL
27	#8 X 1-3/4" PAN HEAD SMS	STEEL
33	TIE BAR LOCK PIN	STEEL

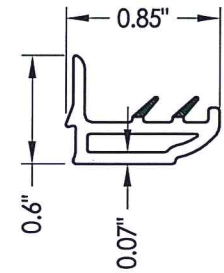
* THE APPROVED WHITE RIGID PVC EXTRUSIONS FOR WINDOWS ARE TO BE PRODUCED BY EXTRUDERS LICENSEES IN "AAMA CERTIFICATIONS PROGRAMS FOR RIGID PVC EXTRUSIONS".



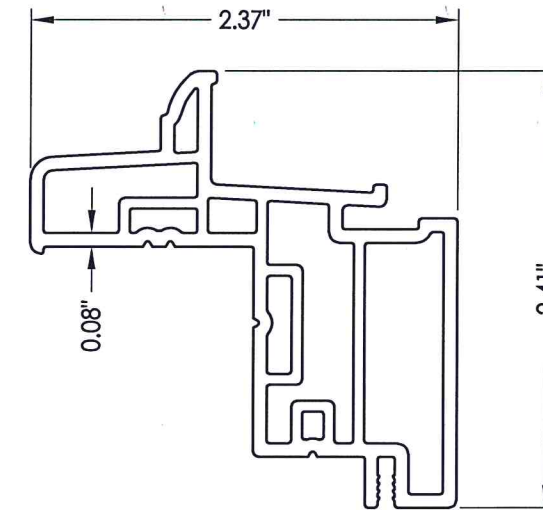
G1 GLAZING DETAIL



1 MAIN FRAME



2 GLAZING BEAD



3 AWNING FRAME



Documents Prepared By: Lyndon F. Schmidt, P.E.
TEXAS P.E. #104123

RW BUILDING CONSULTANTS, INC.
P.O. Box 230 Valrico FL 33595
Phone No.: 813.659.9197

TEXAS BOARD OF PROFESSIONAL ENGINEERS
CERTIFICATE OF REGISTRATION # F-11852

PRODUCT: SOFT-LITE WINDOWS
PART OR ASSEMBLY: BILL OF MATERIALS, COMPONENTS AND GLAZING DETAILS

NO.	DATE	BY	REVISIONS
1	5/20/20	LFS	UPDATE TO 2018 IBC/IRC & REVISE DESIGN PRESSURE TABLE

DATE: 11/9/15

SCALE: N.T.S.

DWG. BY: JK

CHK. BY: LFS

DRAWING NO.: TX-4582

SHEET 4 OF 4