

REVISIONS			
REV	DESCRIPTION	DATE	APPROVED

NOTES:

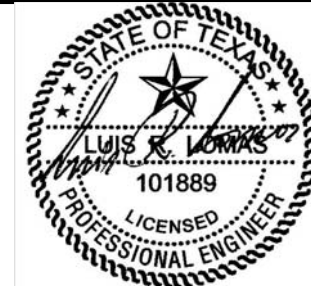
1. THE PRODUCT SHOWN HEREIN IS DESIGNED AND MANUFACTURED TO COMPLY WITH REQUIREMENTS OF THE 2006 IBC AND 2006 IRC WITH STATE OF TEXAS MODIFICATIONS.
2. WOOD FRAMING AND MASONRY OPENING TO BE DESIGNED AND ANCHORED TO PROPERLY TRANSFER ALL LOADS TO STRUCTURE. FRAMING AND MASONRY OPENING IS THE RESPONSIBILITY OF THE ARCHITECT OR ENGINEER OF RECORD.
3. 1X BUCK OVER MASONRY/CONCRETE IS OPTIONAL.
4. WHERE SHIM OR BUCK THICKNESS IS LESS THAN 1-1/2" WINDOW UNITS MUST BE ANCHORED THROUGH THE FRAME IN ACCORDANCE WITH MANUFACTURER'S PUBLISHED INSTALLATION INSTRUCTIONS. ANCHORS SHALL BE SECURELY FASTENED DIRECTLY INTO MASONRY, CONCRETE OR OTHER STRUCTURAL SUBSTRATE MATERIAL.
5. WHERE WOOD BUCK THICKNESS IS 1-1/2" OR GREATER, BUCK SHALL BE SECURELY FASTENED TO MASONRY, CONCRETE OR OTHER STRUCTURAL SUBSTRATE. WINDOW UNITS MAY BE ANCHORED THROUGH FRAME TO SECURED WOOD BUCK IN ACCORDANCE WITH MANUFACTURER'S PUBLISHED INSTALLATION INSTRUCTIONS.
6. WHERE 1X BUCK IS NOT USED DISSIMILAR MATERIALS MUST BE SEPARATED WITH APPROVED COATING OR MEMBRANE. SELECTION OF COATING OR MEMBRANE IS THE RESPONSIBILITY OF THE ARCHITECT OR ENGINEER OF RECORD.
7. BUCKS SHALL EXTEND BEYOND WINDOW INTERIOR FACE SO THAT FULL FRAME SUPPORT IS PROVIDED.
8. FOR FIN INSTALLATION SHIM AS NEEDED. FOR FRAME INSTALLATION SHIM AS REQUIRED AT EACH ANCHOR LOCATION WITH LOAD BEARING SHIM. SHIM WHERE SPACE OF 1/16" OR GREATER OCCURS. MAXIMUM ALLOWABLE SHIM STACK TO BE 1/4".
9. SHIMS SHALL BE LOCATED, APPLIED AND MADE FROM MATERIALS AND THICKNESS CAPABLE OF SUSTAINING APPLICABLE LOADS.
10. WIND LOAD DURATION FACTOR Cd=1.6 WAS USED FOR WOOD ANCHOR CALCULATIONS.
11. FRAME MATERIAL: EXTRUDED RIGID PVC.
12. UNITS MUST BE GLAZED PER ASTM E1300-04.
13. APPROVED IMPACT PROTECTIVE SYSTEM IS REQUIRED FOR THIS PRODUCT IN WIND BORNE DEBRIS REGIONS.
14. FOR ANCHORING THROUGH FIN INTO WOOD FRAMING OR 2X BUCK USE #8 WOOD SCREWS WITH SUFFICIENT LENGTH TO ACHIEVE A 1 1/4" MINIMUM EMBEDMENT INTO SUBSTRATE. LOCATE ANCHORS AS SHOWN IN ELEVATIONS AND INSTALLATION DETAILS.

15. FOR ANCHORING THROUGH FRAME INTO WOOD FRAMING OR 2X BUCK USE #12 WOOD SCREWS WITH SUFFICIENT LENGTH TO ACHIEVE A 1 3/8" MINIMUM EMBEDMENT INTO SUBSTRATE. LOCATE ANCHORS AS SHOWN IN ELEVATIONS AND INSTALLATION DETAILS.
16. FOR ANCHORING THROUGH FRAME INTO MASONRY/CONCRETE USE 1/4" TAPCONS WITH SUFFICIENT LENGTH TO ACHIEVE A 1 1/4" MINIMUM EMBEDMENT INTO SUBSTRATE WITH 2 1/2" MINIMUM EDGE DISTANCE. LOCATE ANCHORS AS SHOWN IN ELEVATIONS AND INSTALLATION DETAILS.
17. FOR ANCHORING THROUGH FRAME INTO METAL STRUCTURE USE #12 SMS OR SELF DRILLING SCREWS WITH SUFFICIENT LENGTH TO ACHIEVE 3 THREADS MINIMUM BEYOND STRUCTURE INTERIOR WALL. LOCATE ANCHORS AS SHOWN IN ELEVATIONS AND INSTALLATION DETAILS.
18. ALL FASTENERS TO BE CORROSION RESISTANT.
19. INSTALLATION ANCHORS SHALL BE INSTALLED IN ACCORDANCE WITH ANCHOR MANUFACTURER'S INSTALLATION INSTRUCTIONS AND ANCHORS SHALL NOT BE USED IN SUBSTRATES WITH STRENGTHS LESS THAN THE MINIMUM STRENGTH SPECIFIED BELOW:
  - A. WOOD: MINIMUM SPECIFIC GRAVITY OF G=0.42
  - B. CONCRETE: MINIMUM COMPRESSIVE STRENGTH OF 2,000 PSI.
  - C. MASONRY: HOLLOW/FILLED BLOCK PER ASTM C90 WITH f'm=2,000PSI MINIMUM.
  - D. METAL STRUCTURE: STEEL 18GA (.048") FY=33KSI/FU=52KSI OR ALUMINUM 6063-T5 FU=30KSI 1/8" THICK MINIMUM.

SIGNED: 08/03/2015

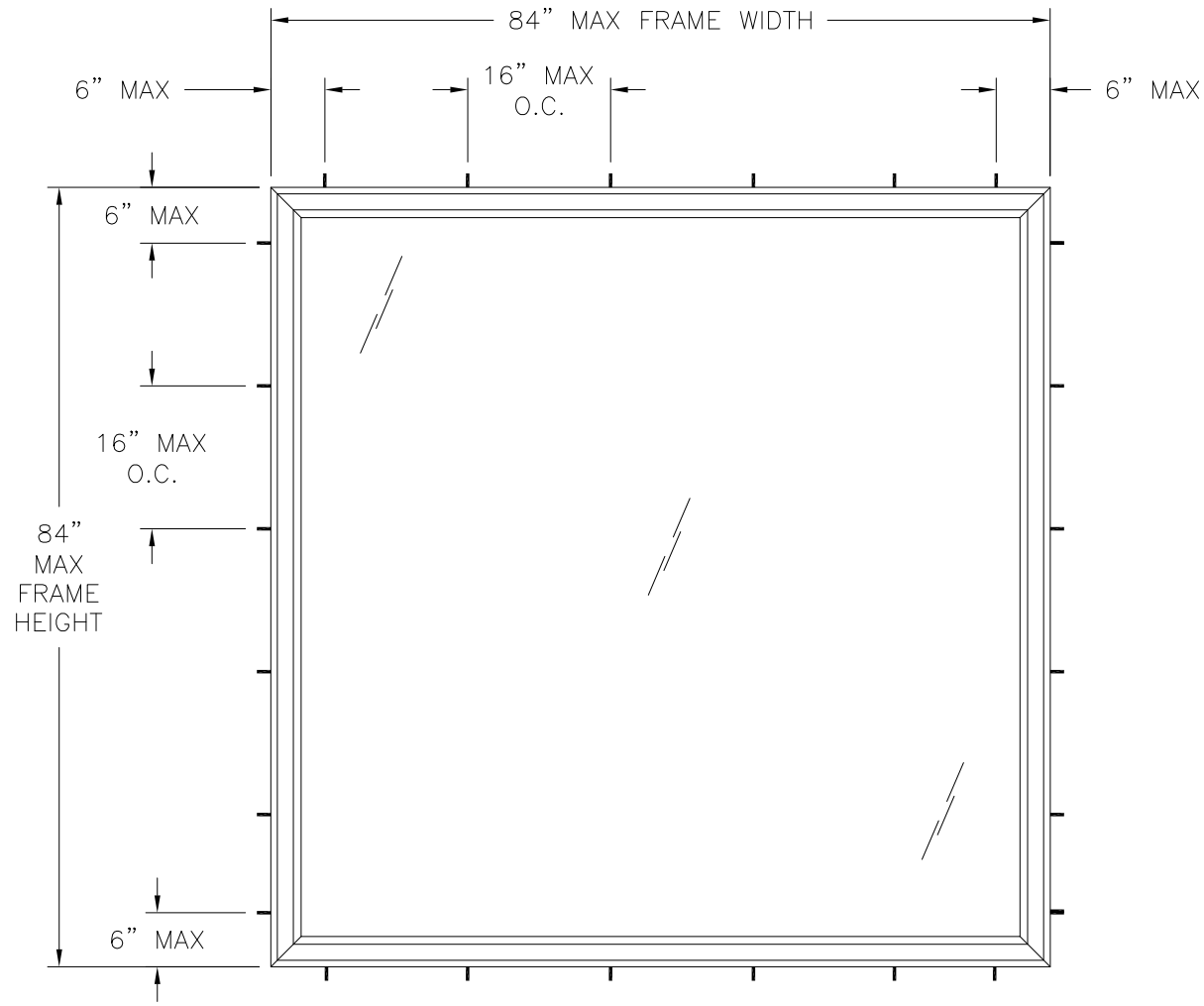
TABLE OF CONTENTS	
SHEET NO.	DESCRIPTION
1	NOTES
2 - 5	ELEVATIONS
6 - 9	INSTALLATION DETAILS

<b>VISTAMARK ENTERPRISES, LLC</b> 3637 N HIGHWAY 77, SUITE C WAXAHACHIE, TX 75165		
SERIES ENDURA 100 PVC PICTURE WINDOW NON-REINFORCED NON-IMPACT NOTES		
DRAWN: R.L.	DWG NO. 08-02761	REV -
SCALE NTS	DATE 07/31/2015	SHEET 1 OF 9

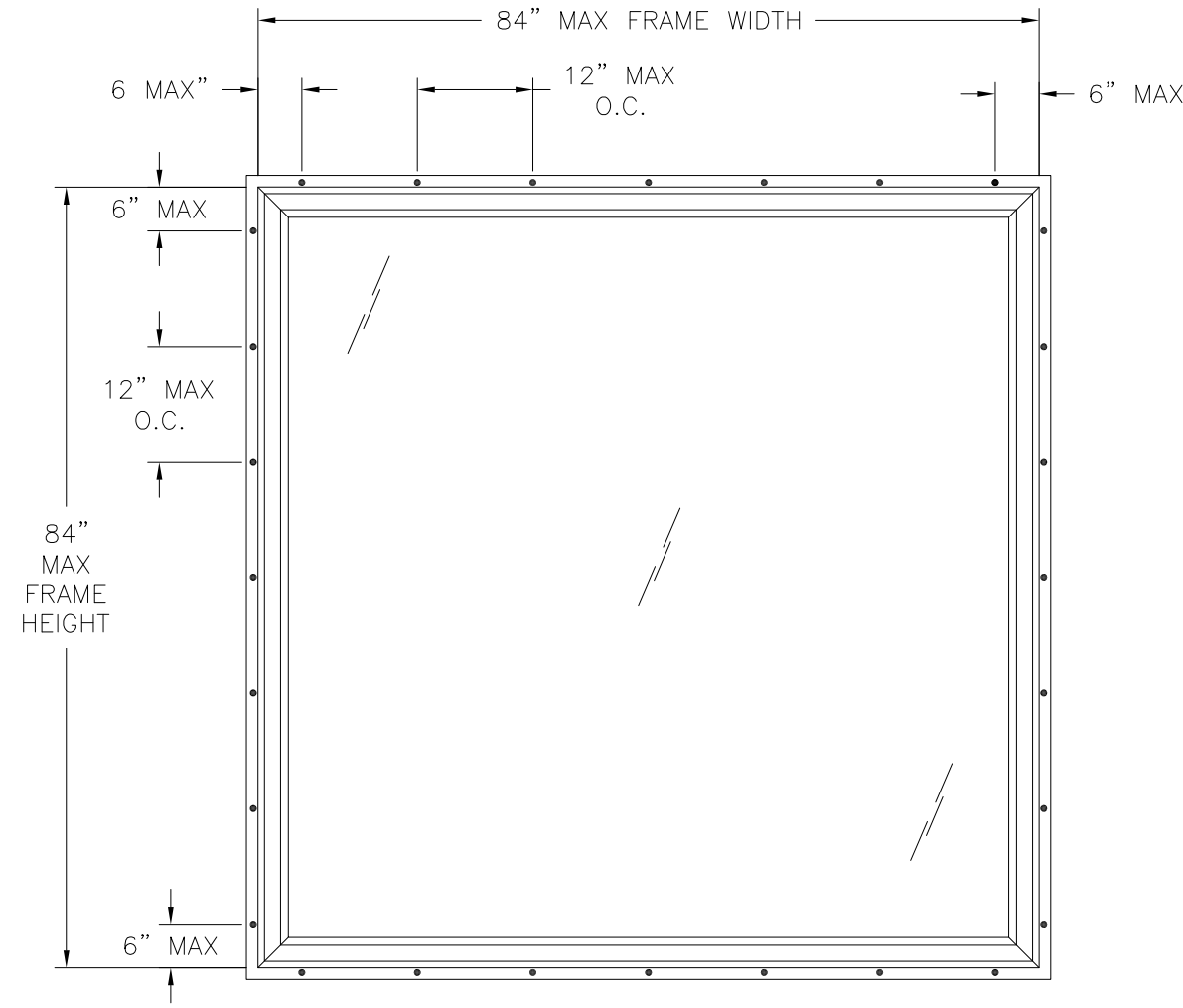


Luis R. Lomas P.E.  
TX NO.: 101889

REVISIONS			
REV	DESCRIPTION	DATE	APPROVED



**SERIES ENDURA 100 SINGLE HUNG WINDOW**  
EXTERIOR VIEW  
FRAME INSTALLATION



**SERIES ENDURA 100 SINGLE HUNG WINDOW**  
EXTERIOR VIEW  
FIN INSTALLATION

WITH TAPE GLAZING

DESIGN PRESSURE RATING	IMPACT RATING
±45.0PSF	NONE

WITH SILICONE GLAZING

DESIGN PRESSURE RATING	IMPACT RATING
+50.0/-55.0PSF	NONE

NOTES:  
1. MAXIMUM D.L.O.: 79 1/16" X 79 1/16"

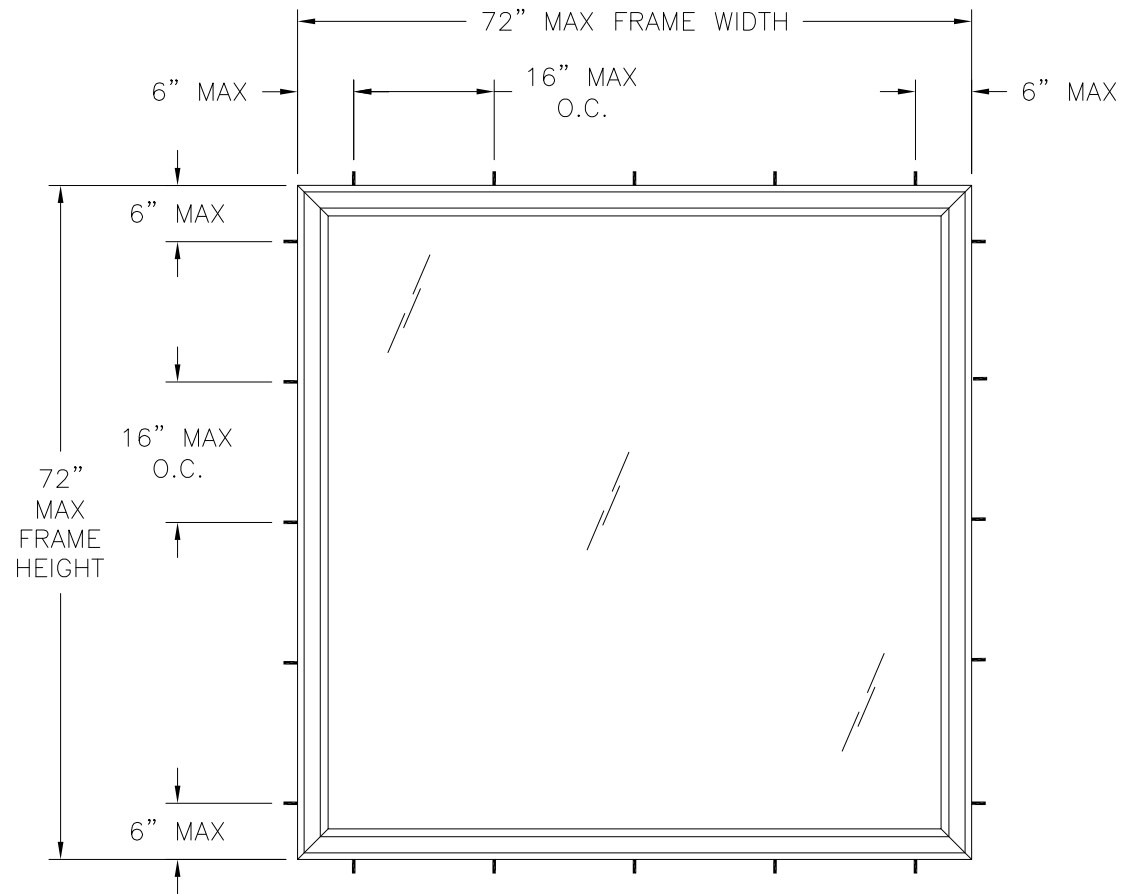
SIGNED: 08/03/2015

<b>VISTAMARK ENTERPRISES, LLC</b> 3637 N HIGHWAY 77, SUITE C WAXAHACHIE, TX 75165		
SERIES ENDURA 100 PVC PICTURE WINDOW NON-REINFORCED NON-IMPACT 84"X84" ELEVATION		
DRAWN: R.L.	DWG NO. 08-02761	REV -
SCALE NTS	DATE 07/31/2015	SHEET 2 OF 9

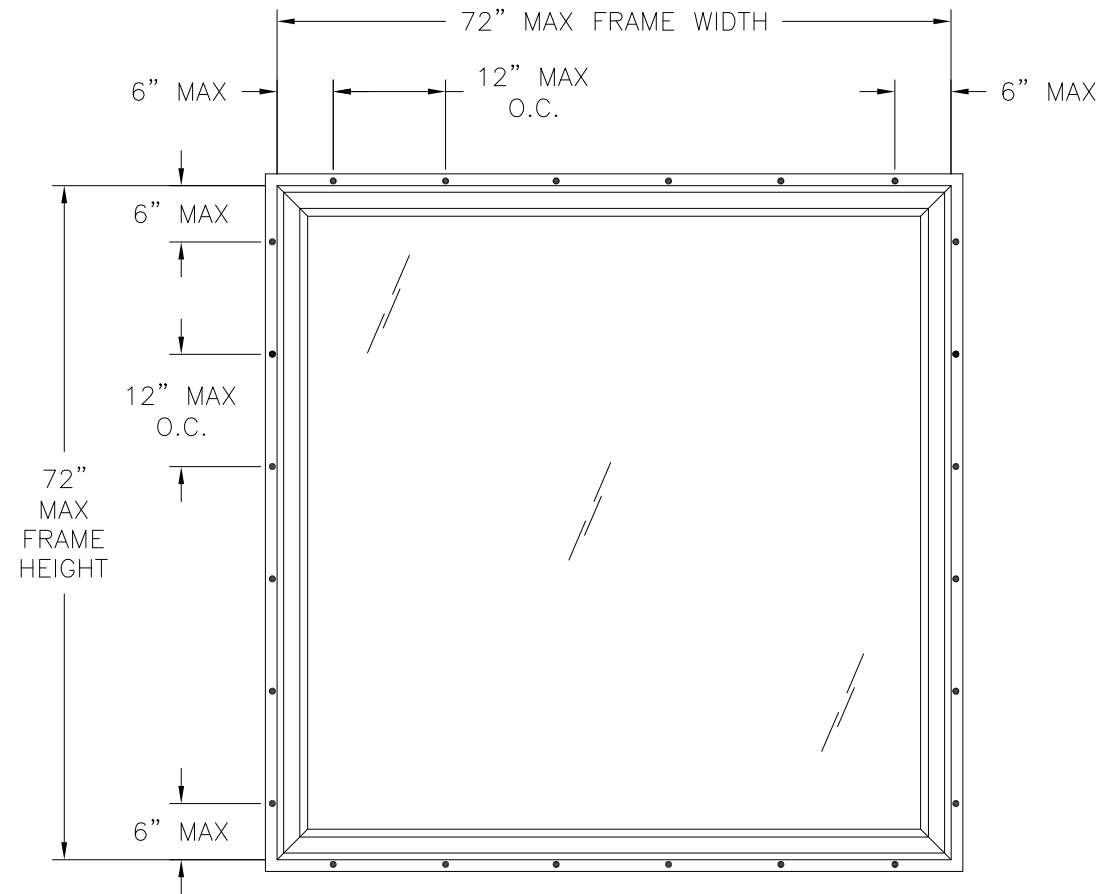


Luis R. Lomas P.E.  
TX NO.: 101889

REVISIONS			
REV	DESCRIPTION	DATE	APPROVED



**SERIES ENDURA 100 SINGLE HUNG WINDOW**  
EXTERIOR VIEW  
FRAME INSTALLATION



**SERIES ENDURA 100 SINGLE HUNG WINDOW**  
EXTERIOR VIEW  
FIN INSTALLATION

WITH TAPE GLAZING

DESIGN PRESSURE RATING	IMPACT RATING
±55.0PSF	NONE

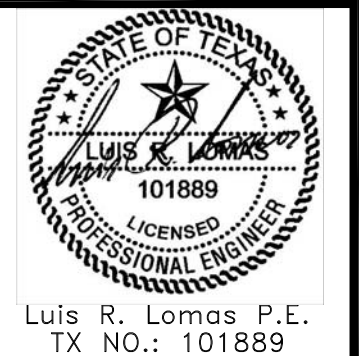
WITH SILICONE GLAZING

DESIGN PRESSURE RATING	IMPACT RATING
±70.0PSF	NONE

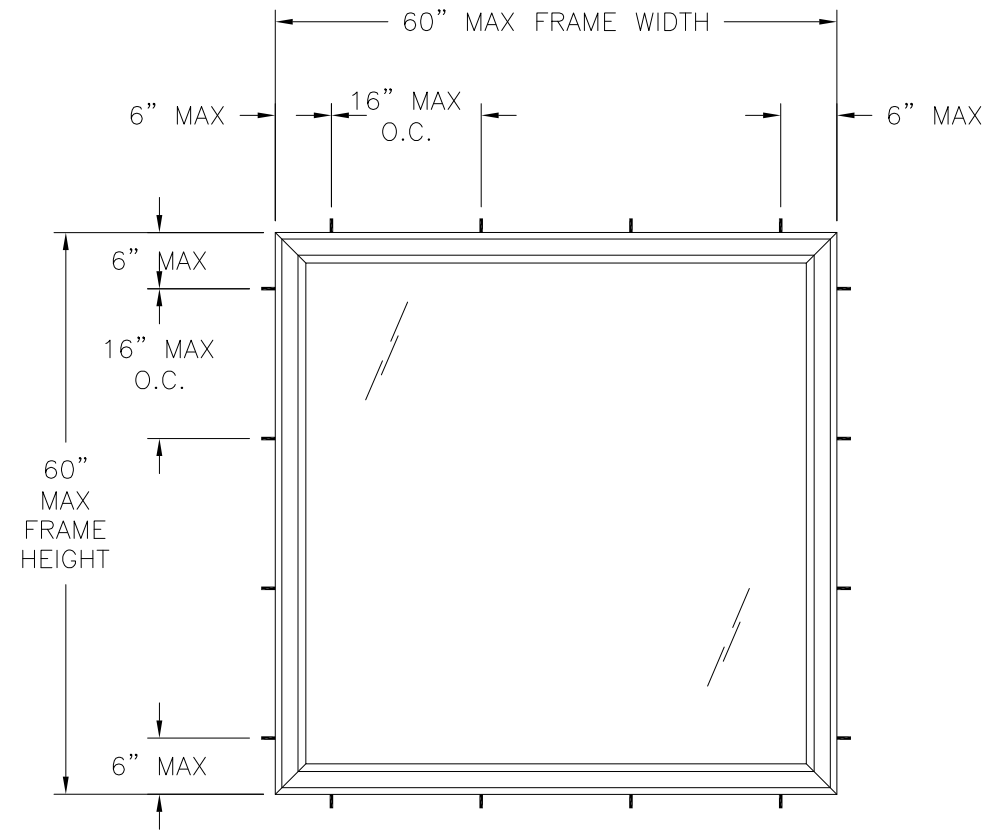
NOTES:  
1. MAXIMUM D.L.O.: 67 1/16" X 67 1/16"

SIGNED: 08/03/2015

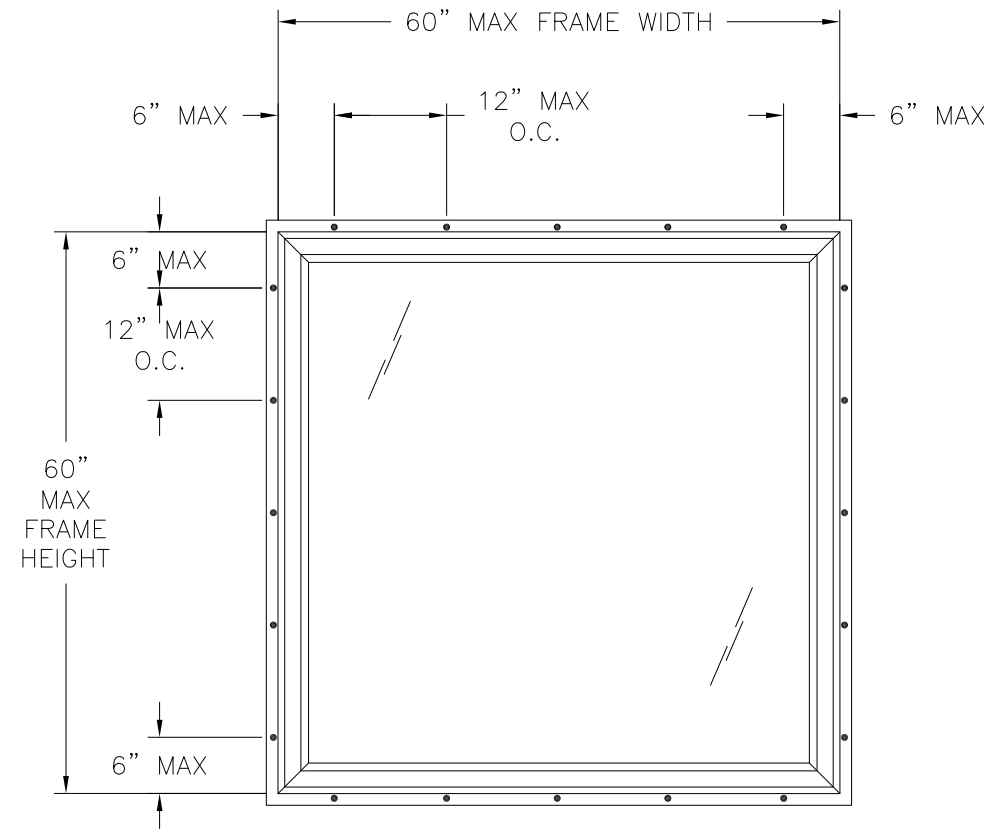
VISTAMARK ENTERPRISES, LLC 3637 N HIGHWAY 77, SUITE C WAXAHACHIE, TX 75165		
SERIES ENDURA 100 PVC PICTURE WINDOW NON-REINFORCED NON-IMPACT 72" X 72" ELEVATION		
DRAWN: R.L.	DWG NO. 08-02761	REV -
SCALE NTS	DATE 07/31/2015	SHEET 3 OF 9



REVISIONS			
REV	DESCRIPTION	DATE	APPROVED



**SERIES ENDURA 100 SINGLE HUNG WINDOW**  
EXTERIOR VIEW  
FRAME INSTALLATION



**SERIES ENDURA 100 SINGLE HUNG WINDOW**  
EXTERIOR VIEW  
FIN INSTALLATION

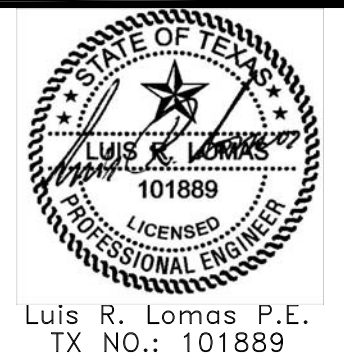
WITH TAPE AND SILICONE GLAZING

DESIGN PRESSURE RATING	IMPACT RATING
±60.0PSF	NONE

NOTES:  
1. MAXIMUM D.L.O.: 55 1/16" X 55 1/16"

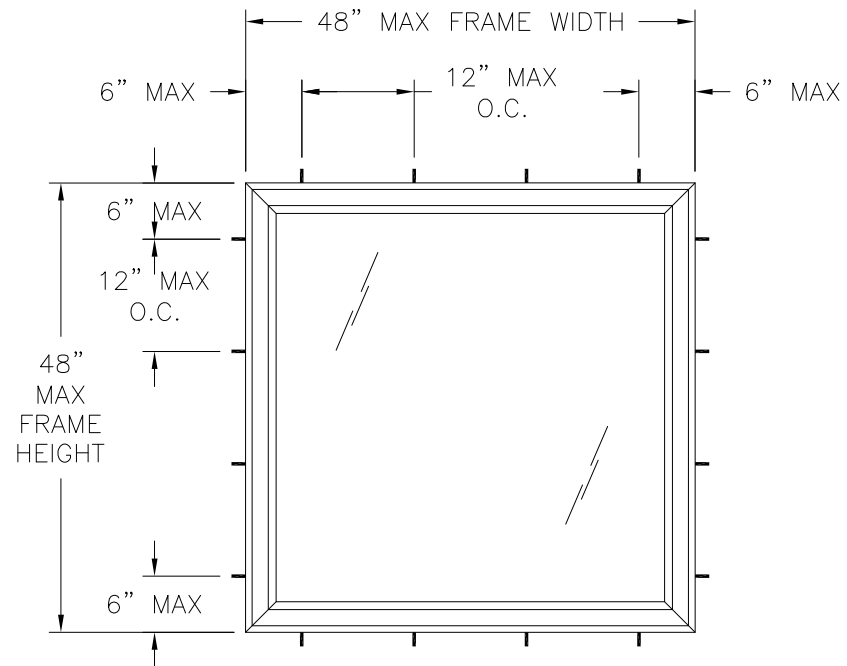
SIGNED: 08/03/2015

VISTAMARK ENTERPRISES, LLC 3637 N HIGHWAY 77, SUITE C WAXAHACHIE, TX 75165		
SERIES ENDURA 100 PVC PICTURE WINDOW NON-REINFORCED NON-IMPACT 60" X 60" ELEVATION		
DRAWN: R.L.	DWG NO. 08-02761	REV -
SCALE NTS	DATE 07/31/2015	SHEET 4 OF 9

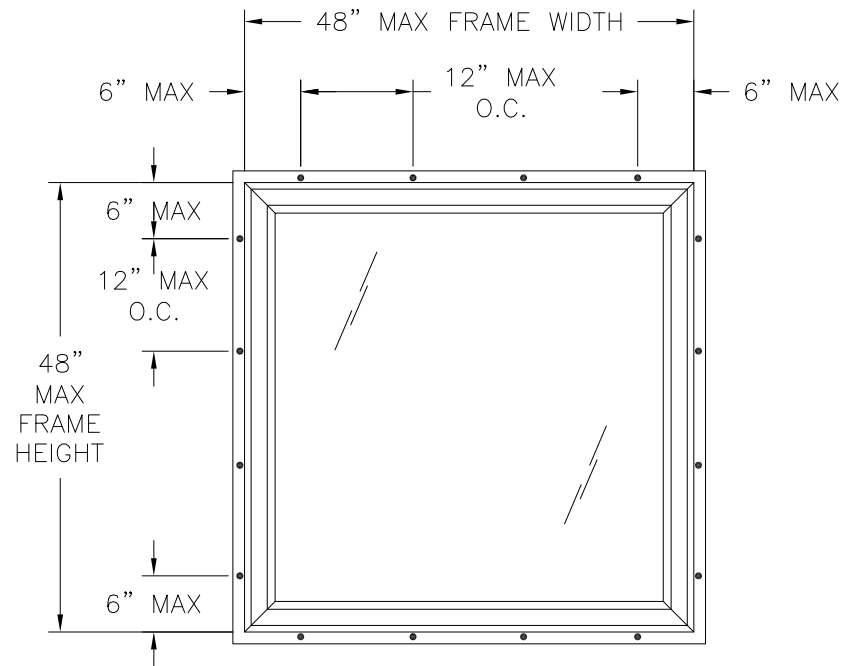


Luis R. Lomas P.E.  
TX NO.: 101889

REVISIONS			
REV	DESCRIPTION	DATE	APPROVED



**SERIES ENDURA 100 SINGLE HUNG WINDOW**  
EXTERIOR VIEW  
FRAME INSTALLATION



**SERIES ENDURA 100 SINGLE HUNG WINDOW**  
EXTERIOR VIEW  
FIN INSTALLATION

WITH TAPE AND SILICONE GLAZING

DESIGN PRESSURE RATING	IMPACT RATING
+85.0/-90.0PSF	NONE

NOTES:

1. MAXIMUM D.L.O.: 43 1/16" x 43 1/16"

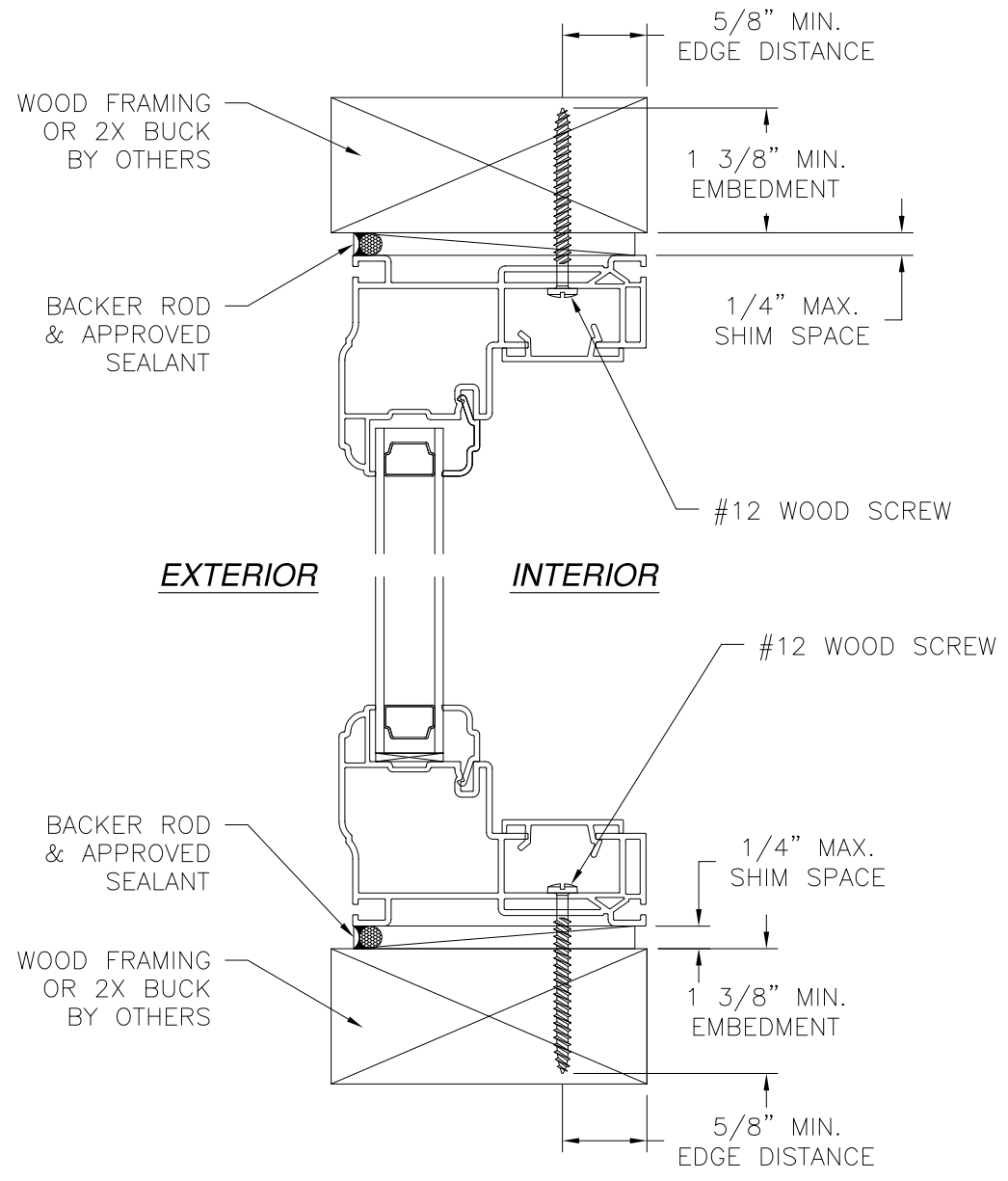
SIGNED: 08/03/2015

VISTAMARK ENTERPRISES, LLC 3637 N HIGHWAY 77, SUITE C WAXAHACHIE, TX 75165		
SERIES ENDURA 100 PVC PICTURE WINDOW NON-REINFORCED NON-IMPACT 48" X 48" ELEVATION		
DRAWN: R.L.	DWG NO. 08-02761	REV -
SCALE NTS	DATE 07/31/2015	SHEET 5 OF 9

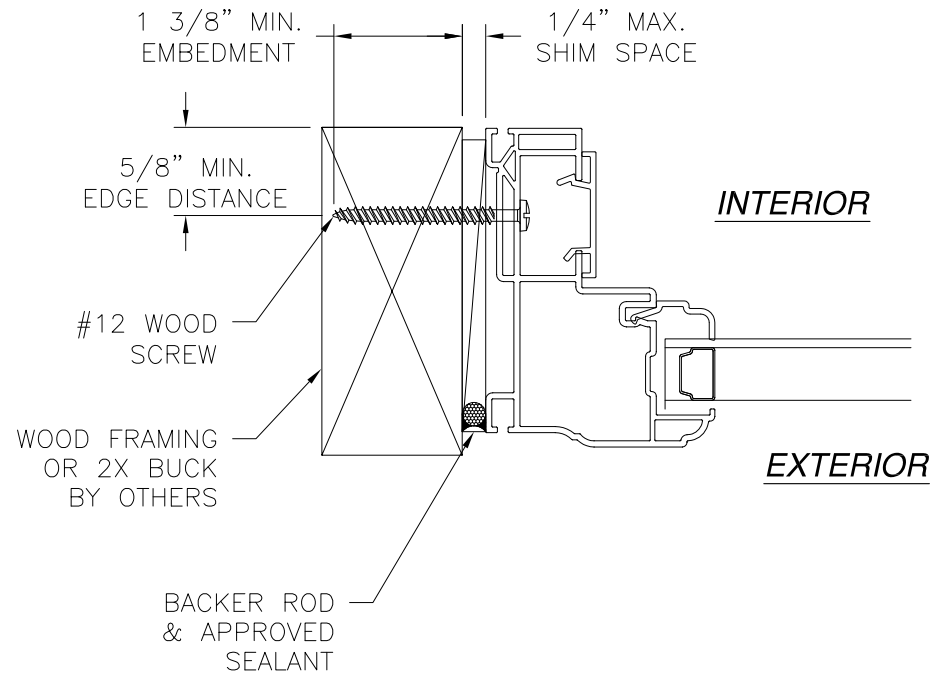


Luis R. Lomas P.E.  
TX NO.: 101889

REVISIONS			
REV	DESCRIPTION	DATE	APPROVED



**VERTICAL CROSS SECTION**  
WOOD FRAMING OR 2X BUCK INSTALLATION



**JAMB INSTALLATION DETAIL**  
WOOD FRAMING OR 2X BUCK INSTALLATION

- NOTES:**
1. INTERIOR AND EXTERIOR FINISHES, BY OTHERS, NOT SHOWN FOR CLARITY.
  2. PERIMETER AND JOINT SEALANT BY OTHERS TO BE DESIGNED IN ACCORDANCE WITH ASTM E2112

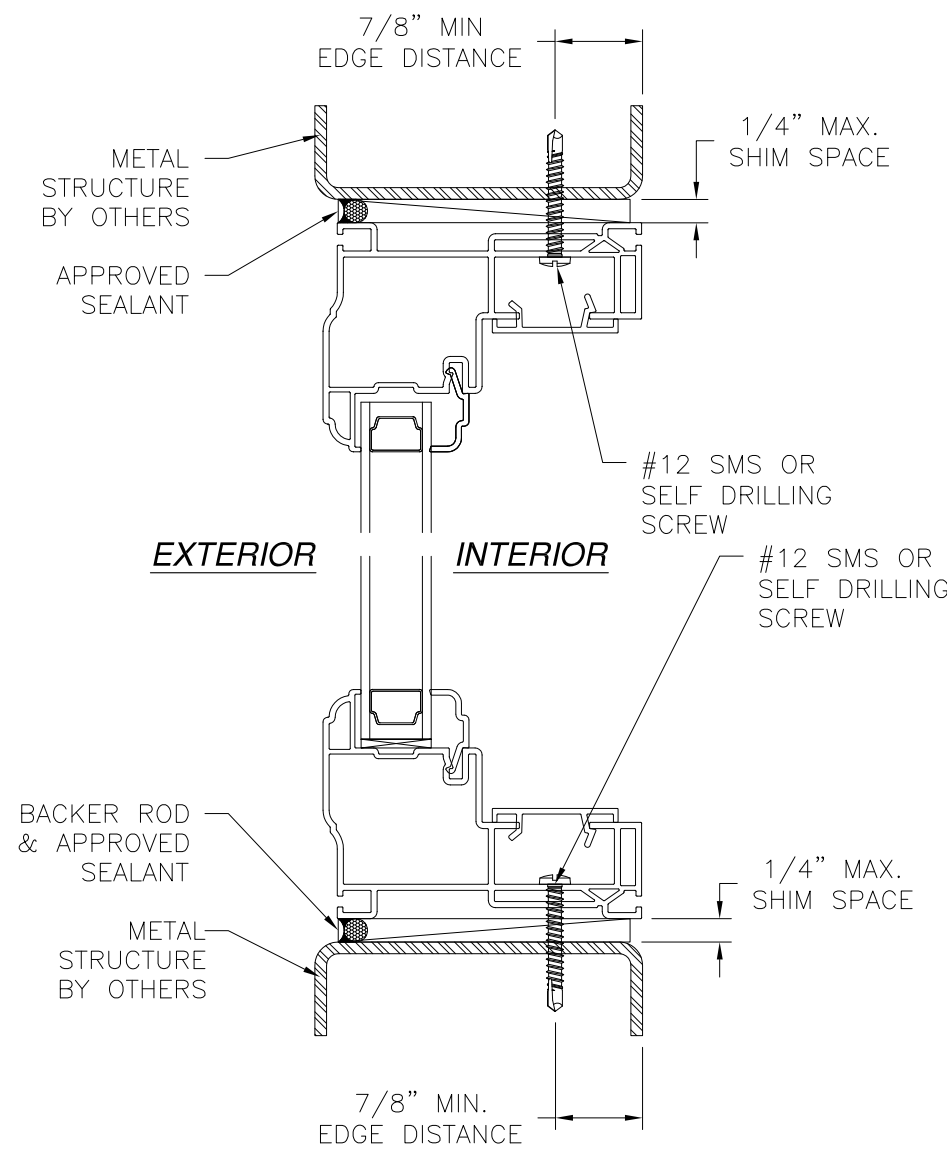
SIGNED: 08/03/2015

VISTAMARK ENTERPRISES, LLC 3637 N HIGHWAY 77, SUITE C WAXAHACHIE, TX 75165		
SERIES ENDURA 100 PVC PICTURE WINDOW NON-REINFORCED NON-IMPACT INSTALLATION DETAILS		
DRAWN: R.L.	DWG NO. 08-02761	REV -
SCALE NTS	DATE 07/31/2015	SHEET 6 OF 9

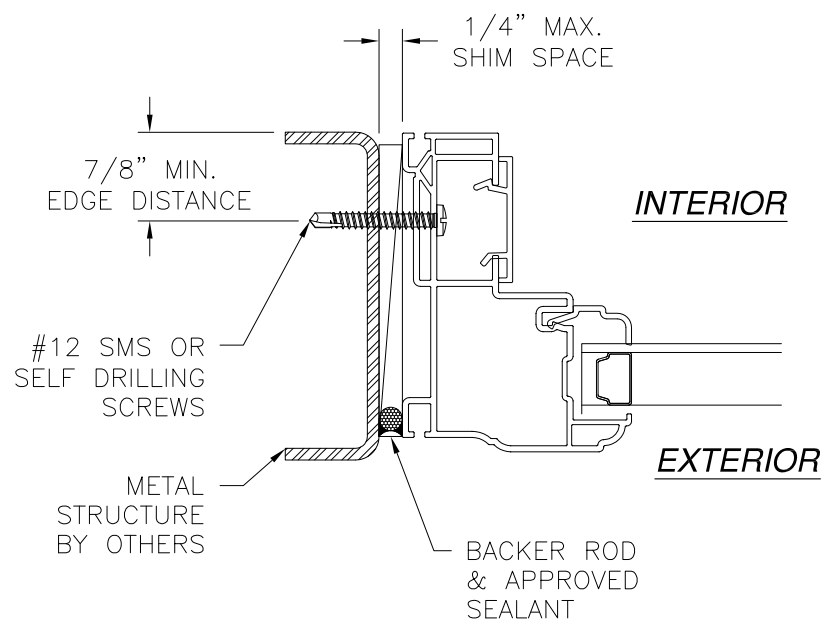


Luis R. Lomas P.E.  
TX NO.: 101889

REVISIONS			
REV	DESCRIPTION	DATE	APPROVED



**VERTICAL CROSS SECTION**  
METAL STRUCTURE INSTALLATION



**JAMB INSTALLATION DETAIL**  
METAL STRUCTURE INSTALLATION

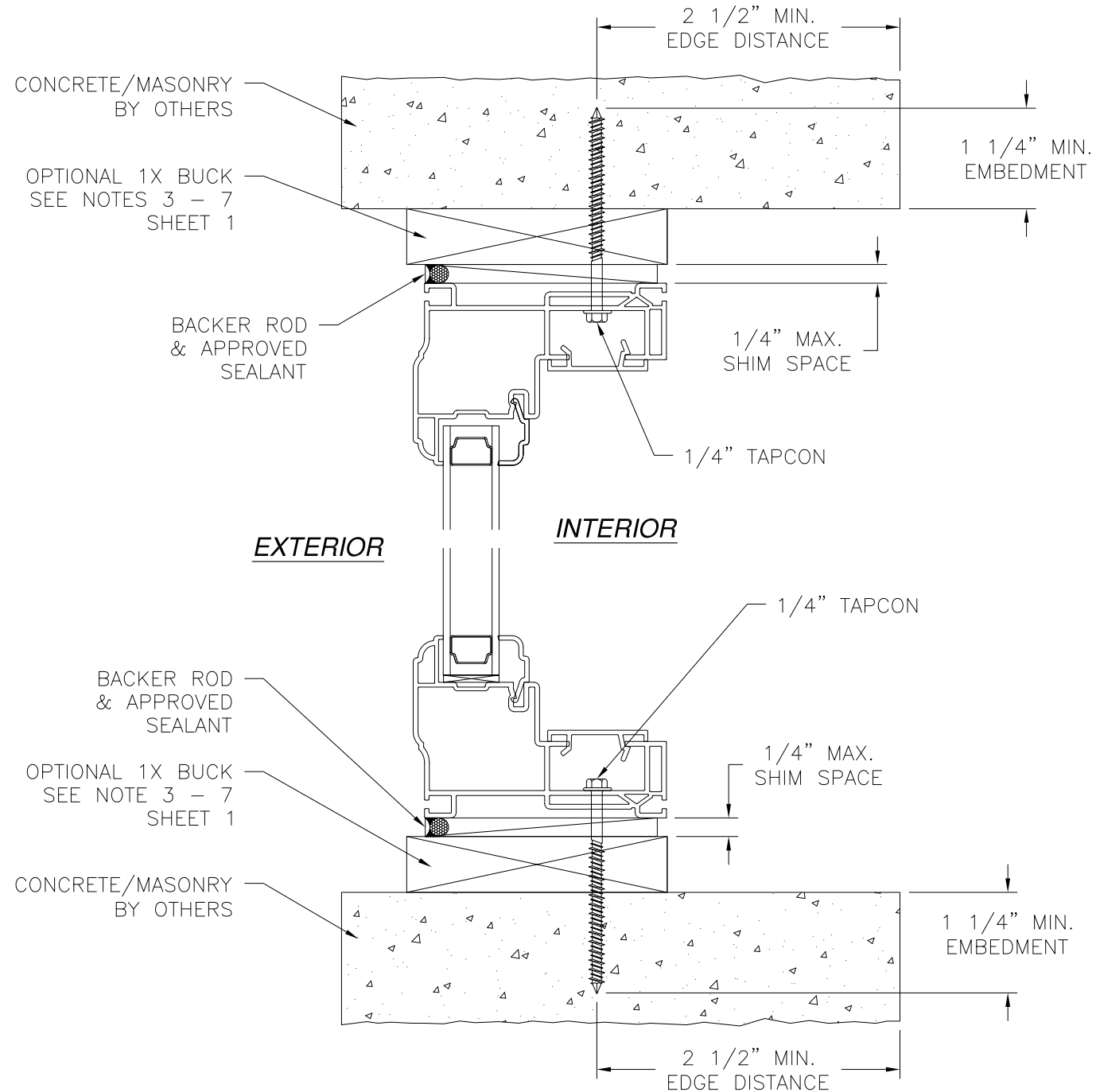
- NOTES:**
1. INTERIOR AND EXTERIOR FINISHES, BY OTHERS, NOT SHOWN FOR CLARITY.
  2. PERIMETER AND JOINT SEALANT BY OTHERS TO BE DESIGNED IN ACCORDANCE WITH ASTM E2112

SIGNED: 08/03/2015

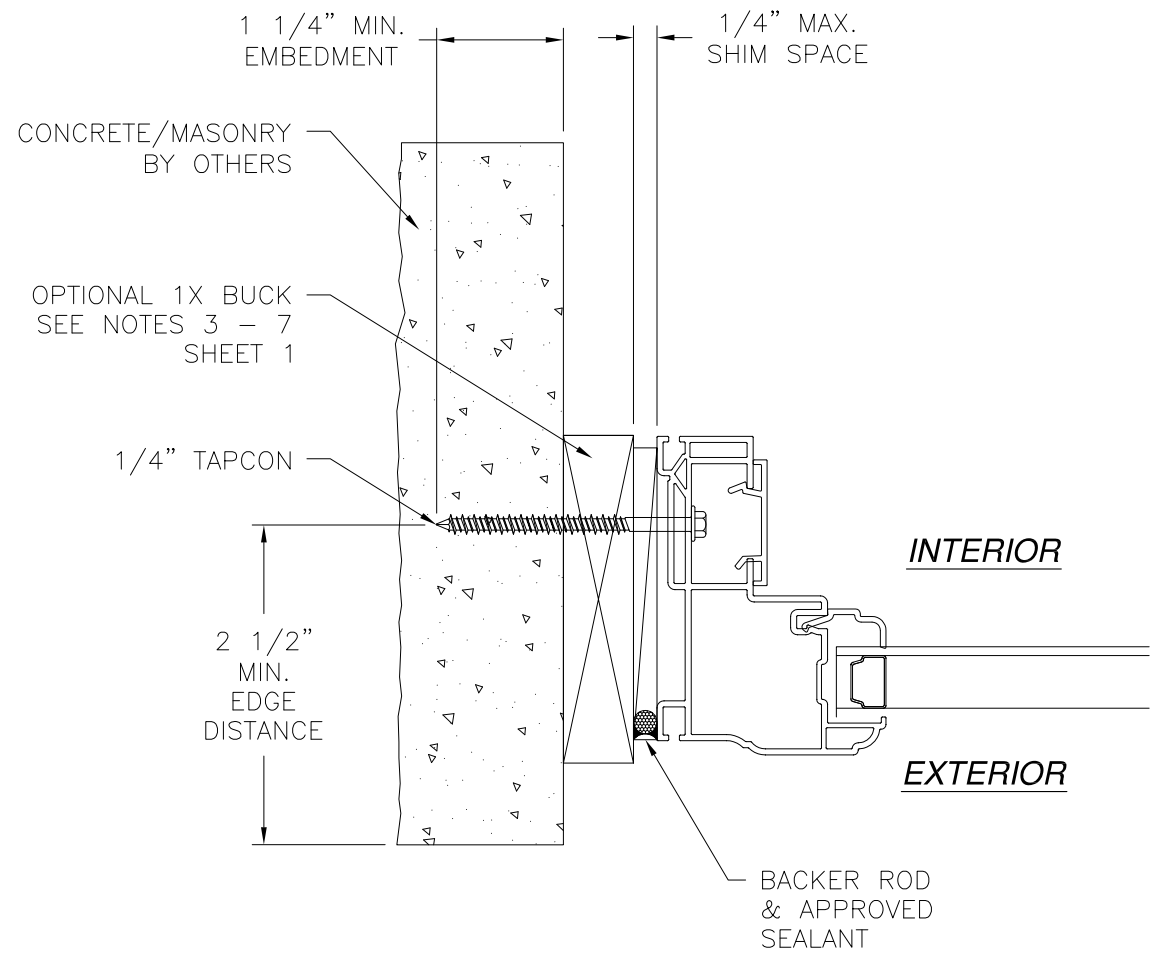
<b>VISTAMARK ENTERPRISES, LLC</b> 3637 N HIGHWAY 77, SUITE C WAXAHACHIE, TX 75165		
SERIES ENDURA 100 PVC PICTURE WINDOW NON-REINFORCED NON-IMPACT INSTALLATION DETAILS		
DRAWN: R.L.	DWG NO. 08-02761	REV -
SCALE NTS	DATE 07/31/2015	SHEET 7 OF 9

Luis R. Lomas P.E.  
TX NO.: 101889

REVISIONS			
REV	DESCRIPTION	DATE	APPROVED



**VERTICAL CROSS SECTION**  
CONCRETE/MASONRY INSTALLATION



**JAMB INSTALLATION DETAIL**  
CONCRETE/MASONRY INSTALLATION

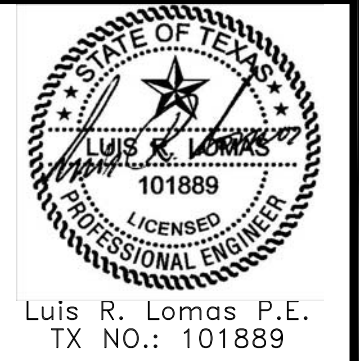
- NOTES:**
1. INTERIOR AND EXTERIOR FINISHES, BY OTHERS, NOT SHOWN FOR CLARITY.
  2. PERIMETER AND JOINT SEALANT BY OTHERS TO BE DESIGNED IN ACCORDANCE WITH ASTM E2112

SIGNED: 08/03/2015

VISTAMARK ENTERPRISES, LLC  
3637 N HIGHWAY 77, SUITE C  
WAXAHACHIE, TX 75165

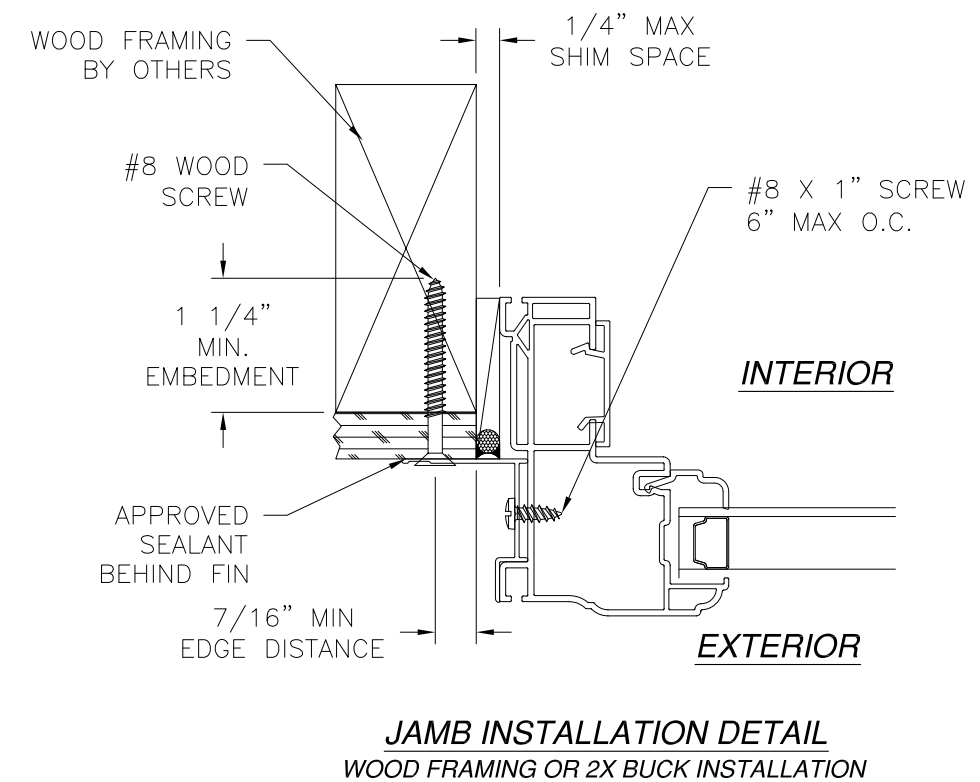
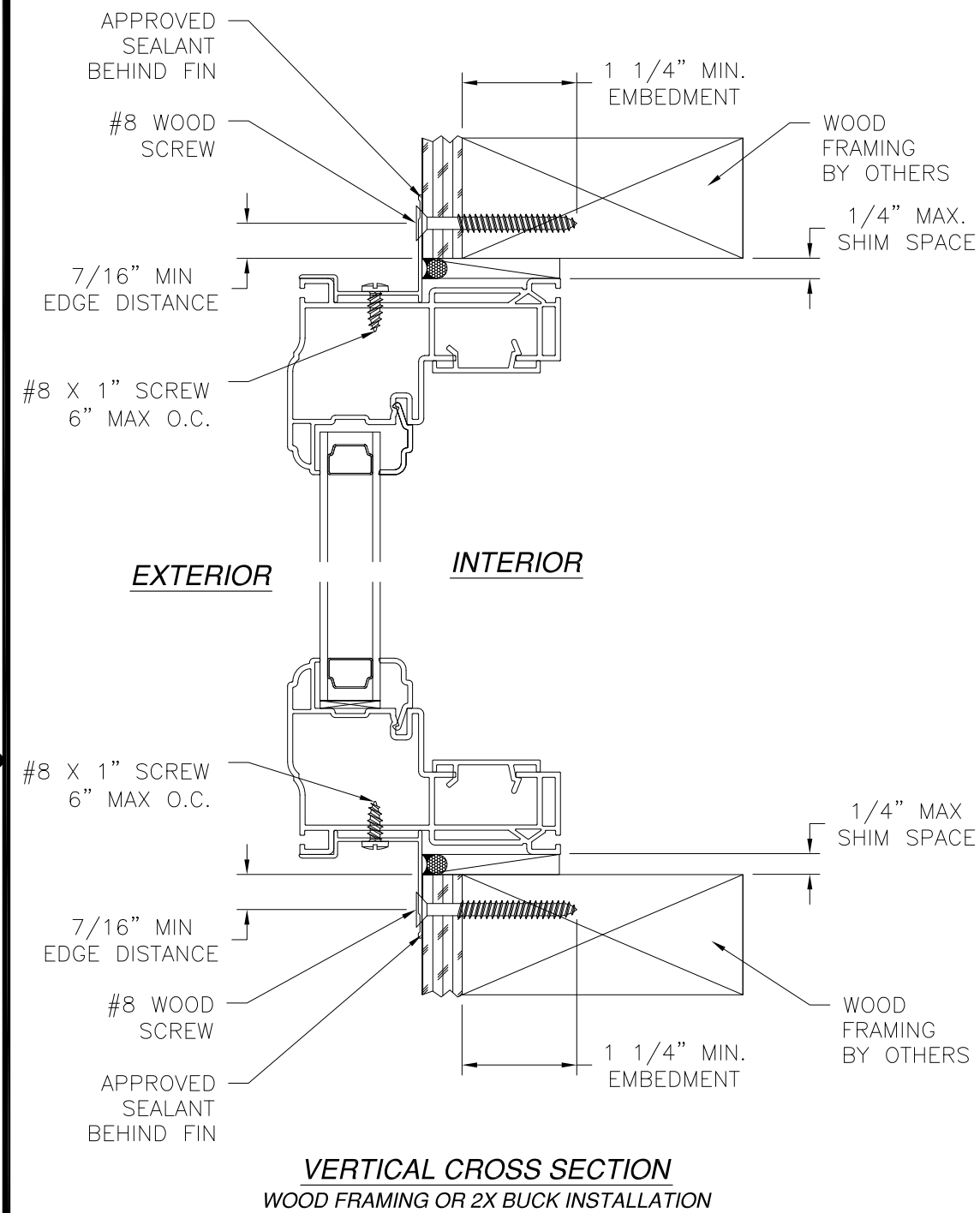
SERIES ENDURA 100 PVC PICTURE WINDOW  
NON-REINFORCED NON-IMPACT  
INSTALLATION DETAILS

DRAWN: R.L.	DWG NO. 08-02761	REV -
SCALE NTS	DATE 07/31/2015	SHEET 8 OF 9





REVISIONS			
REV	DESCRIPTION	DATE	APPROVED



- NOTES:**
1. INTERIOR AND EXTERIOR FINISHES, BY OTHERS, NOT SHOWN FOR CLARITY.
  2. PERIMETER AND JOINT SEALANT BY OTHERS TO BE DESIGNED IN ACCORDANCE WITH ASTM E2112

SIGNED: 08/03/2015

VISTAMARK ENTERPRISES, LLC  
3637 N HIGHWAY 77, SUITE C  
WAXAHACHIE, TX 75165

SERIES ENDURA 100 PVC PICTURE WINDOW  
NON-REINFORCED NON-IMPACT  
INSTALLATION DETAILS

DRAWN: R.L.	DWG NO. 08-02761	REV -
SCALE NTS	DATE 07/31/2015	SHEET 9 OF 9

