

# WINCORE™

## WINDOWS & DOORS

250 Staunton Turnpike, Parkersburg, WV 26104



Documents Prepared By: Lyndon F. Schmidt, P.E.  
TEXAS P.E. #104123

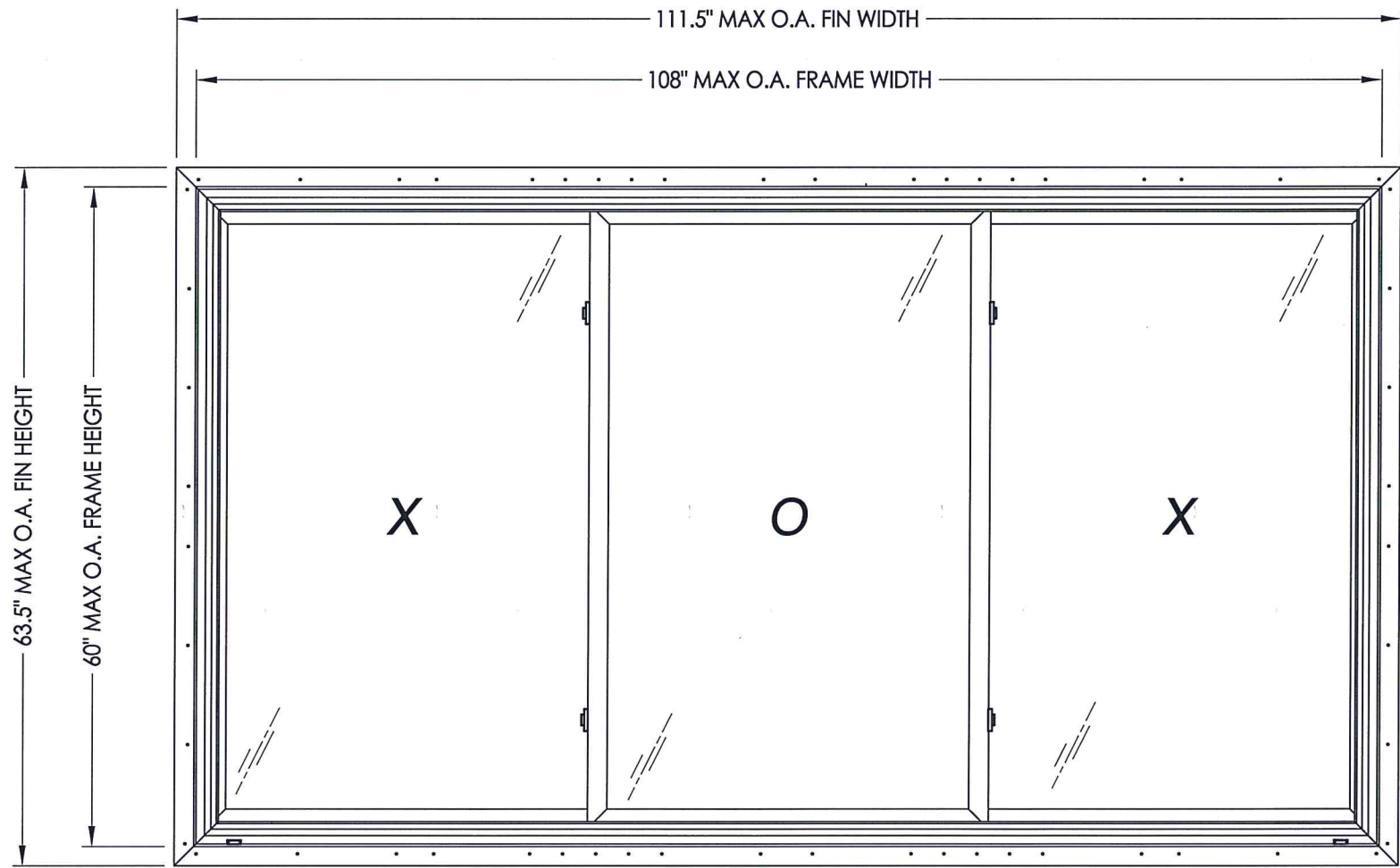
**RW** BUILDING CONSULTANTS, INC.  
P.O. Box 230 Valrico FL 33595  
Phone No.: 813.659.9197

TEXAS BOARD OF PROFESSIONAL ENGINEERS  
CERTIFICATE OF REGISTRATION # F-11852

### 500 SERIES

## Vinyl Horizontal Sliding Window w/ Nailing Fin

### "NON-IMPACT"



EVALUATED FOR USE IN THE STATE OF TEXAS

### TDI WIN-1935

The Wincore Horizontal Sliding Window described herein complies with the 2018 International Residential Code (IRC), Sections R301 & R609 and the 2018 International Building Code (IBC), Sections 1404.13, 1609, 1709.5, 2403 and 2404 subject to the following conditions:

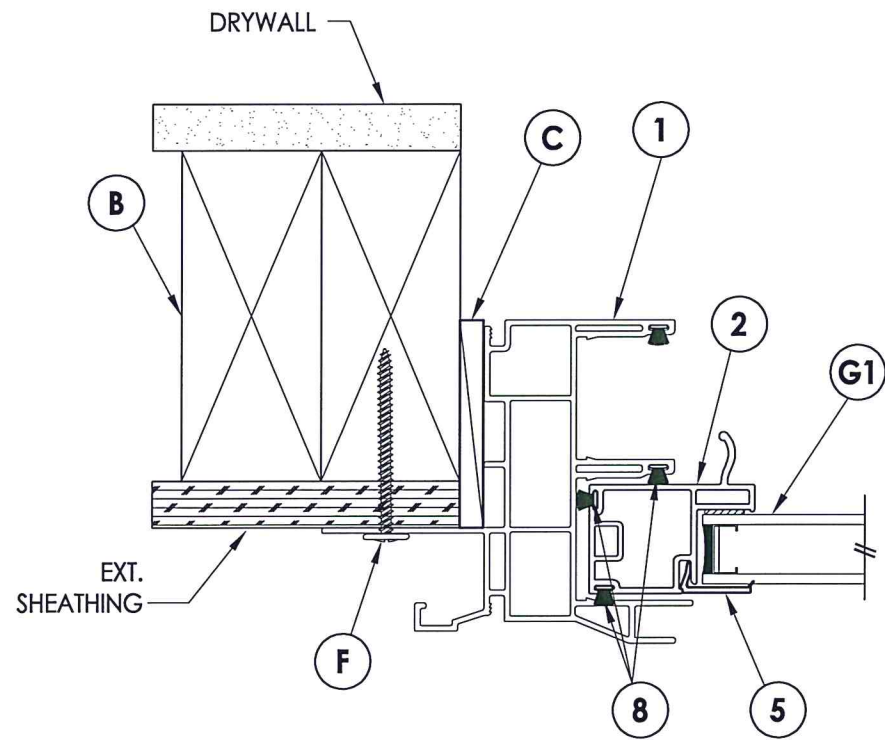
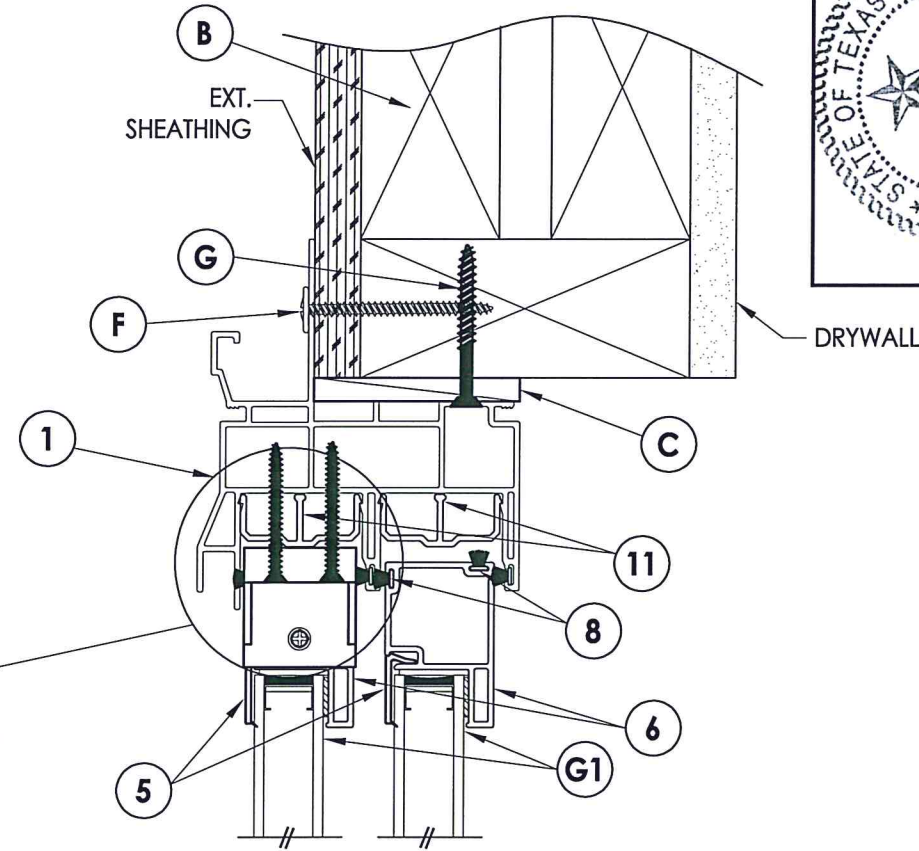
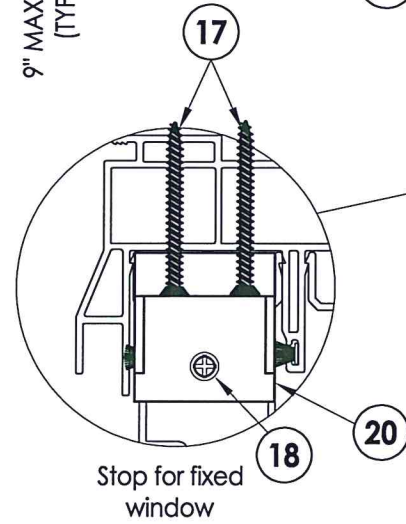
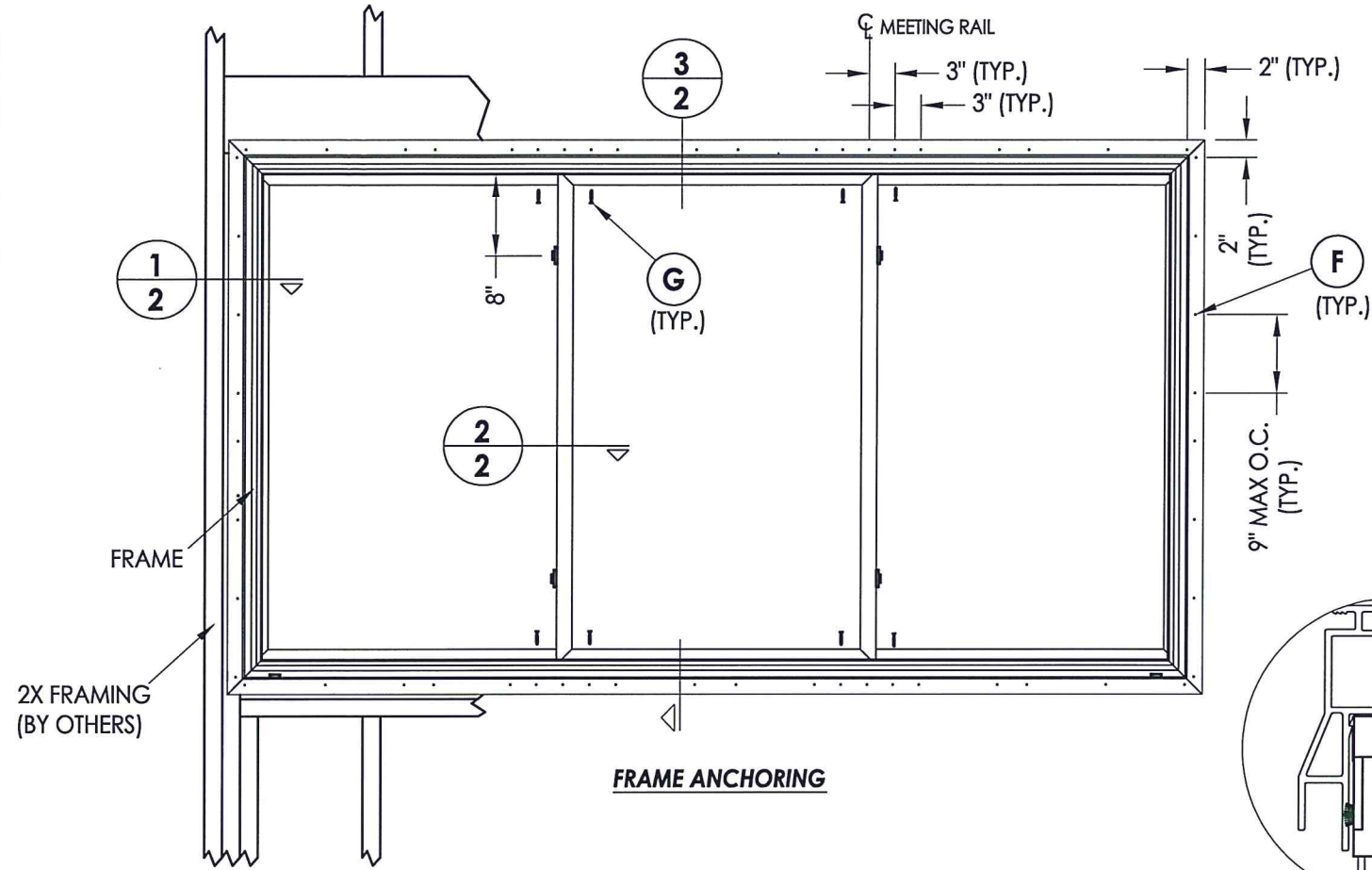
1. Anchors shall be as listed and spaced as shown in the details. Anchor embedment to base material shall be beyond wall dressing or stucco.
2. When used in areas requiring wind-borne debris protection this product is required to be protected with an impact resistant covering that complies with Section R301.2.1.2 of the IRC and Section 1609.1.2 of the IBC.
3. Allowable design pressure requirements must be equal to or less than the design pressure rating shown in the design pressure chart, sheet 1 of this drawing.
4. Conditions not covered by this drawing are subject to further engineering analysis.

TABLE OF CONTENTS	
SHEET#	DESCRIPTION
1	Typical elevations, design pressures and general notes
2	Horizontal & vertical cross sections & frame anchoring
3	Bill of materials, components & glazing details

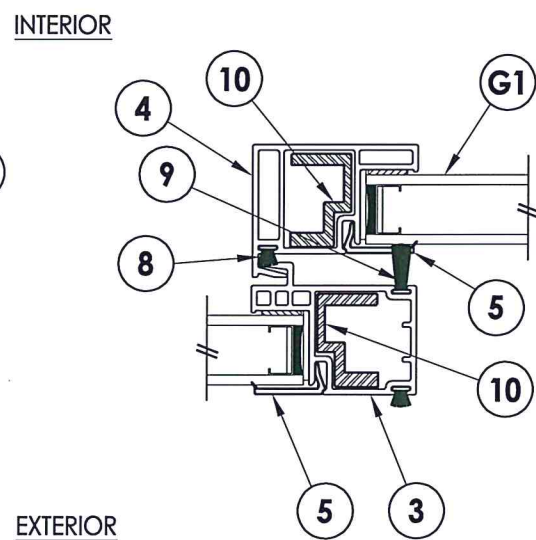
MAX. FIN DIMENSION	MAX. FRAME DIMENSION	MAX. FIXED D.L.O. DIMENSION	GLASS TYPE	DESIGN PRESSURE (PSF)	
				POSITIVE	NEGATIVE
111.5" X 63.5"	108.0" X 60.0"	32.75" X 53.06"	G1	+25.0	-25.0

PRODUCT:	500 SERIES	
PART OR ASSEMBLY:	TYPICAL ELEVATION, DESIGN PRESSURES & GENERAL NOTES	
NO.	DATE	BY
1	1/21/20	LFS
UPDATE TO 2018 IBC/IRC		
REVISIONS		
DATE:	11/4/13	
SCALE:	N.T.S.	
DWG. BY:	JK	
CHK. BY:	LFS	
DRAWING NO.:	TX-4407	
SHEET	1	OF 3

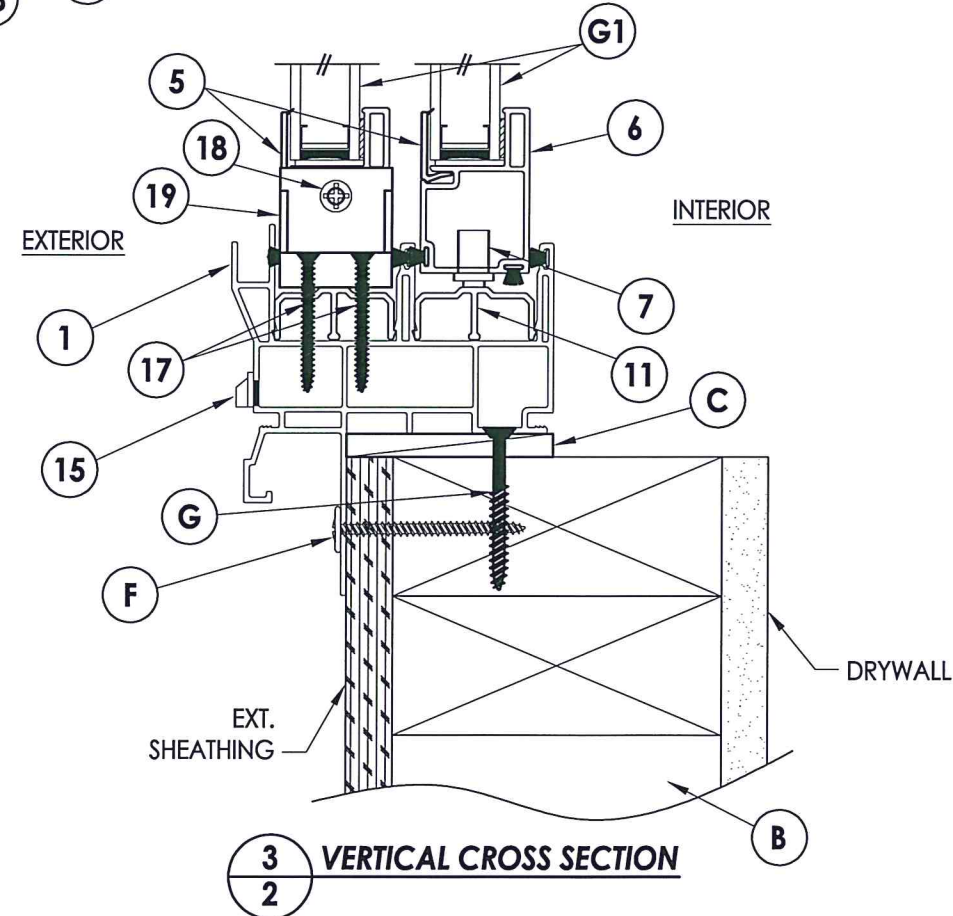
R:\Clients\Wincore PERMANENT\B - (2018) Texas Dept of Ins\WIN 1935 - Horizontal Slider 500\C - Drawings\2018 IBC UPDATE\TX-4405-07.dwg, 2.2



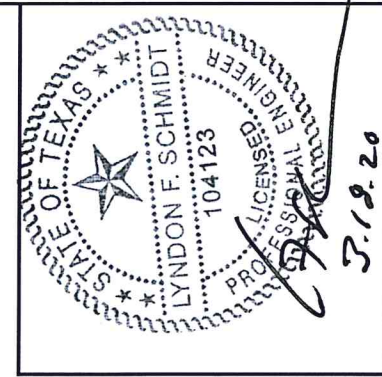
1  
2 HORIZONTAL CROSS SECTION



2  
2 HORIZONTAL CROSS SECTION



3  
2 VERTICAL CROSS SECTION



Documents Prepared By: Lyndon F. Schmidt, P.E.  
TEXAS P.E. #104123

**RW** BUILDING CONSULTANTS, INC.  
P.O. Box 230 Valrico FL 33595  
Phone No.: 813.669.9197  
TEXAS BOARD OF PROFESSIONAL ENGINEERS  
CERTIFICATE OF REGISTRATION # F-11852

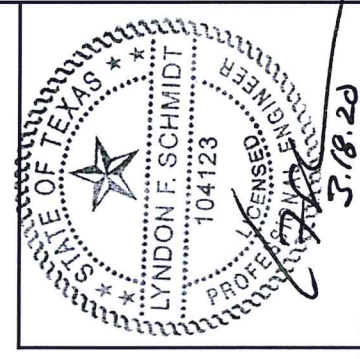
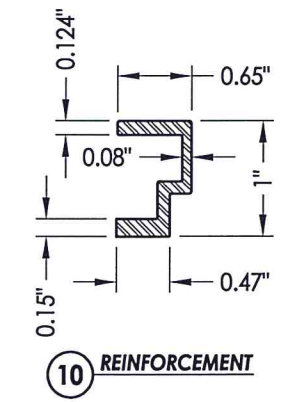
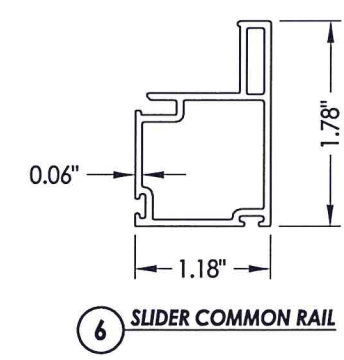
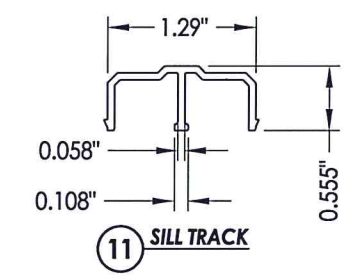
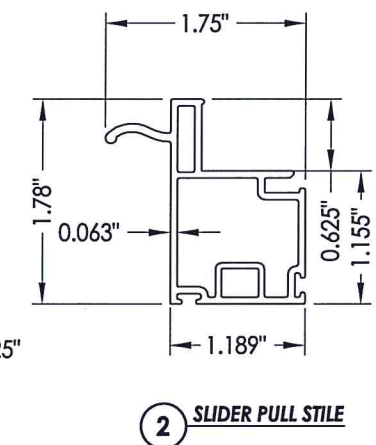
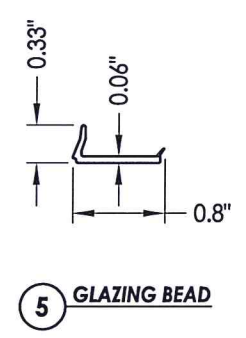
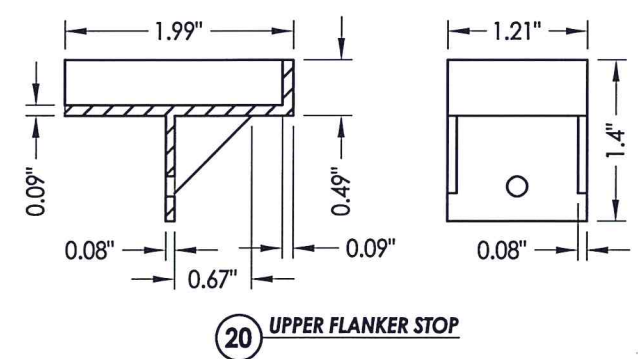
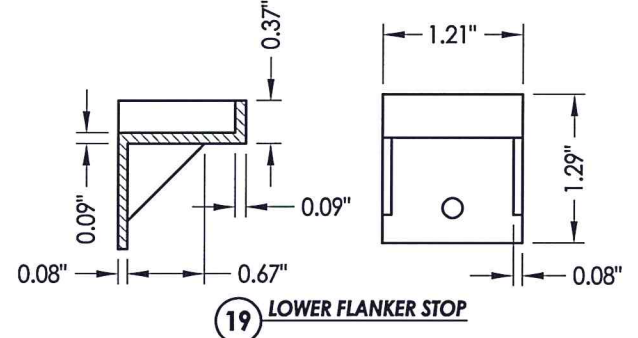
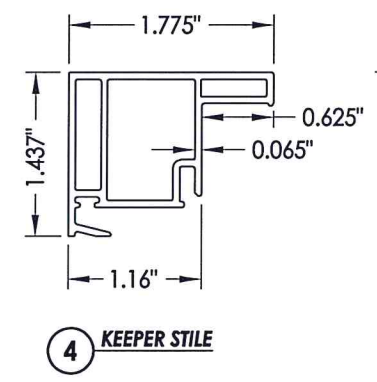
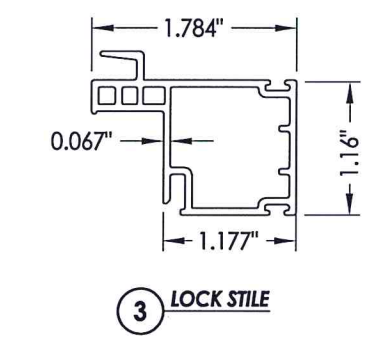
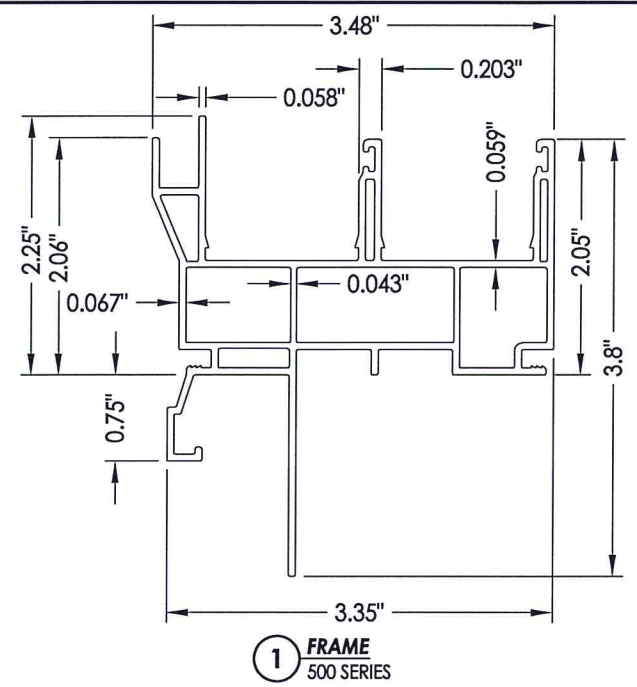
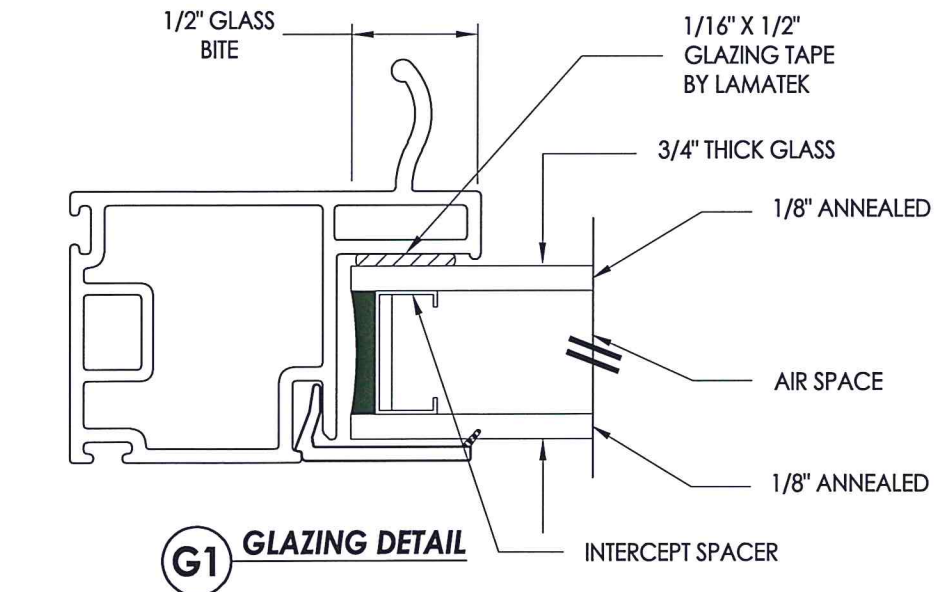
PRODUCT: 500 SERIES  
PART OR ASSEMBLY: HORIZONTAL & VERTICAL CROSS SECTIONS & FRAME ANCHORING

NO.	DATE	REVISIONS
1	1/21/20	UPDATE TO 2018 IBC/IRC
LFS		BY

DATE: 11/4/13  
SCALE: N.T.S.  
DWG. BY: JK  
CHK. BY: LFS  
DRAWING NO.: TX-4407  
SHEET 2 OF 3

BILL OF MATERIALS		
ITEM #	DESCRIPTION	MATERIAL
B	2X FRAMING (SG >= 0.42)	WOOD
C	1/4" MAX. SHIM SPACE	-
F	#8 X 2" MODIFIED TRUSS HEAD (7/16" Ø) SMS (1-3/8" MIN. EMBEDMENT)	STEEL
G	#10 X 1-1/2" PFH WOOD SCREW (1-3/8" MIN. EMBEDMENT)	STEEL
1	FRAME (500 SERIES - "J" CHANNEL)*	PVC
2	SLIDER PULL STILE*	PVC
3	LOCK STILE*	PVC
4	KEEPER STILE*	PVC
5	GLAZING BEAD*	PVC
6	SLIDER COMMON RAIL*	PVC
7	METAL ROLLERS w/ PLASTIC HOUSING	-
8	WEATHERSTRIP (0.230")	-
9	WEATHERSTRIP (0.380")	-
10	REINFORCEMENT	ALUM
11	SILL TRACK*	PVC
15	WEEPHOLE CAP*	PVC
17	#8 X 1-1/4" PFH SMS	STEEL
18	#8 X 3/4" PFH WOOD SCREW	STEEL
19	LOWER FLANKER STOP	NYLON
20	UPPER FLANKER STOP	NYLON

\* THE APPROVED WHITE RIGID PVC EXTRUSIONS FOR WINDOWS ARE TO BE PRODUCED BY EXTRUDERS LICENSEES IN "AAMA CERTIFICATION PROGRAMS FOR RIGID PVC EXTRUSIONS".



Documents Prepared By: Lyndon F. Schmidt, P.E.  
TEXAS P.E. #104123

**RW** BUILDING CONSULTANTS, INC.  
P.O. Box 230 Vairico FL 33595  
Phone No.: 813.659.9197

TEXAS BOARD OF PROFESSIONAL ENGINEERS  
CERTIFICATE OF REGISTRATION # F-11852

PRODUCT:	500 SERIES
PART OR ASSEMBLY:	BILL OF MATERIALS, COMPONENTS & GLAZING DETAILS
DATE:	11/4/13
SCALE:	N.T.S.
DWG. BY:	JK
CHK. BY:	LFS
DRAWING NO.:	TX-4407
SHEET	3 OF 3