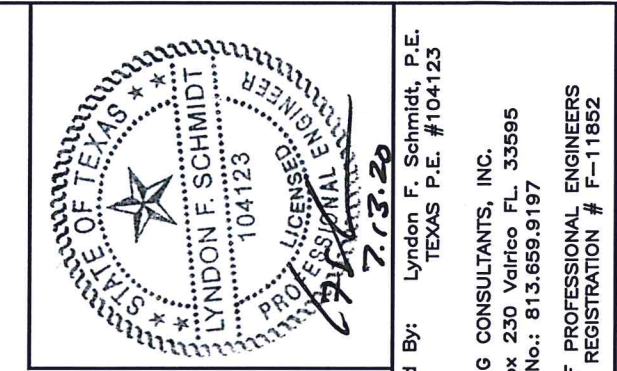
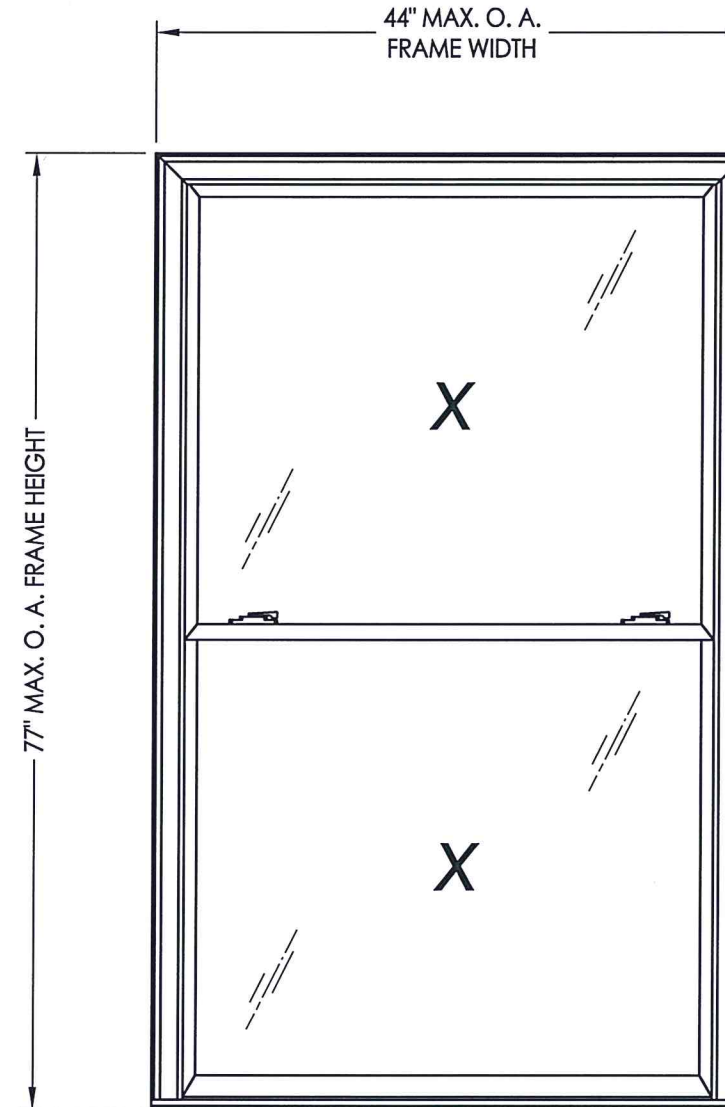


**MODEL 8001 / 8E01
EXTRUDED VINYL
DOUBLE HUNG WINDOW
"NON-IMPACT"**



Documents Prepared By: Lyndon F. Schmidt, P.E.
TEXAS P.E. #104123
RW BUILDING CONSULTANTS, INC.
P.O. Box 230 Vairico FL 33595
Phone No.: 813.659.9197
TEXAS BOARD OF PROFESSIONAL ENGINEERS
CERTIFICATE OF REGISTRATION # F-11852

PRODUCT: DOUBLE HUNG WINDOW
PART OR ASSEMBLY: TYPICAL ELEVATION, DESIGN PRESSURES & GENERAL NOTES

EVALUATED FOR USE IN THE STATE OF TEXAS

TDI WIN-1929

The Double Hung Window described herein complies with the 2018 International Residential Code (IRC), Sections R301 & R609 and the 2018 International Building Code (IBC), Sections 1404.13, 1609, 1709.5, 2403 and 2404 subject to the following conditions:

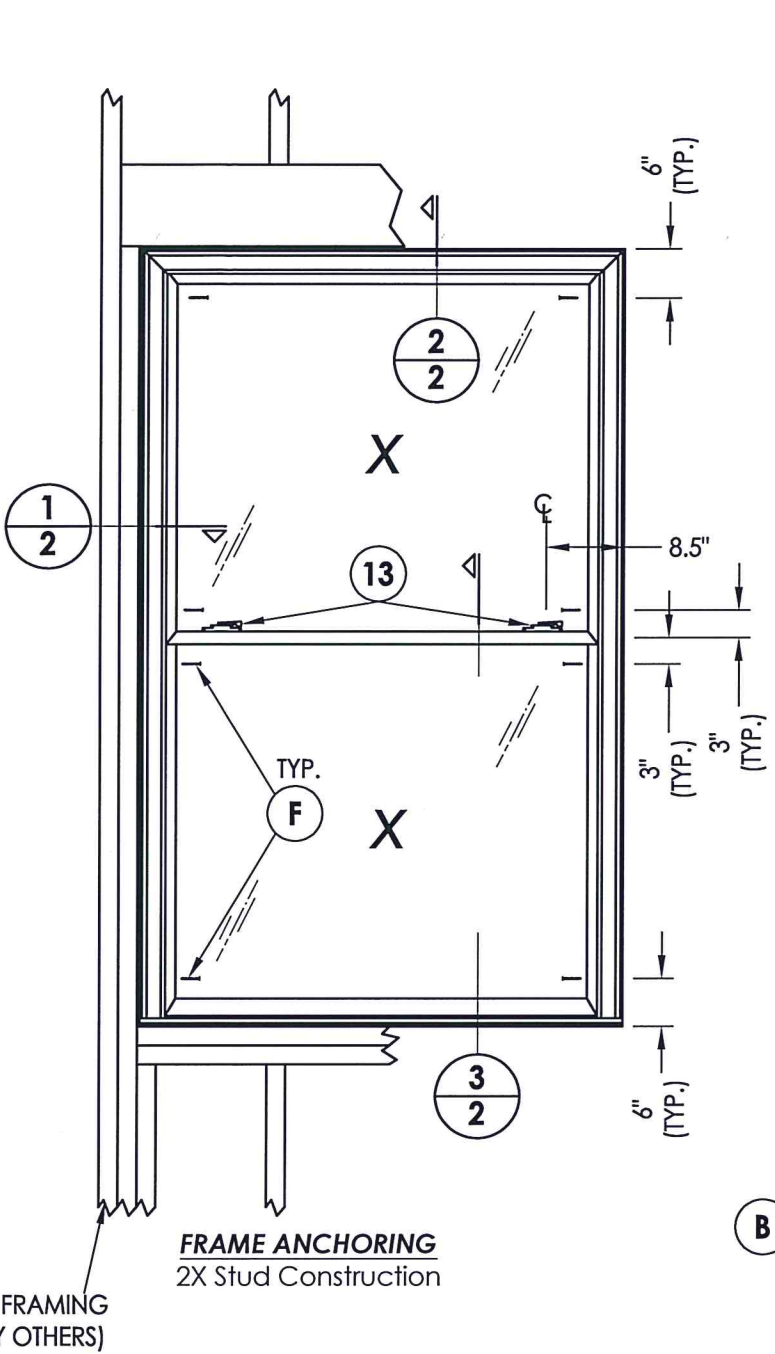
1. Anchors shall be as listed and spaced as shown in the details. Anchor embedment to base material shall be beyond wall dressing or stucco.
2. When used in areas requiring wind-borne debris protection this product is required to be protected with an impact resistant covering that complies with Section R301.2.1.2 of the IRC and Section 1609.2 of the IBC.
3. Allowable design pressure requirements must be equal to or less than the design pressure rating shown in the design pressure chart, sheet 1 of this drawing.
4. Conditions not covered by this drawing are subject to further engineering analysis.

TABLE OF CONTENTS	
SHEET#	DESCRIPTION
1	Typical elevations, design pressures & general notes
2	Vertical & horizontal cross sections & frame anchoring
3	Components
4	Bill of materials and glazing details

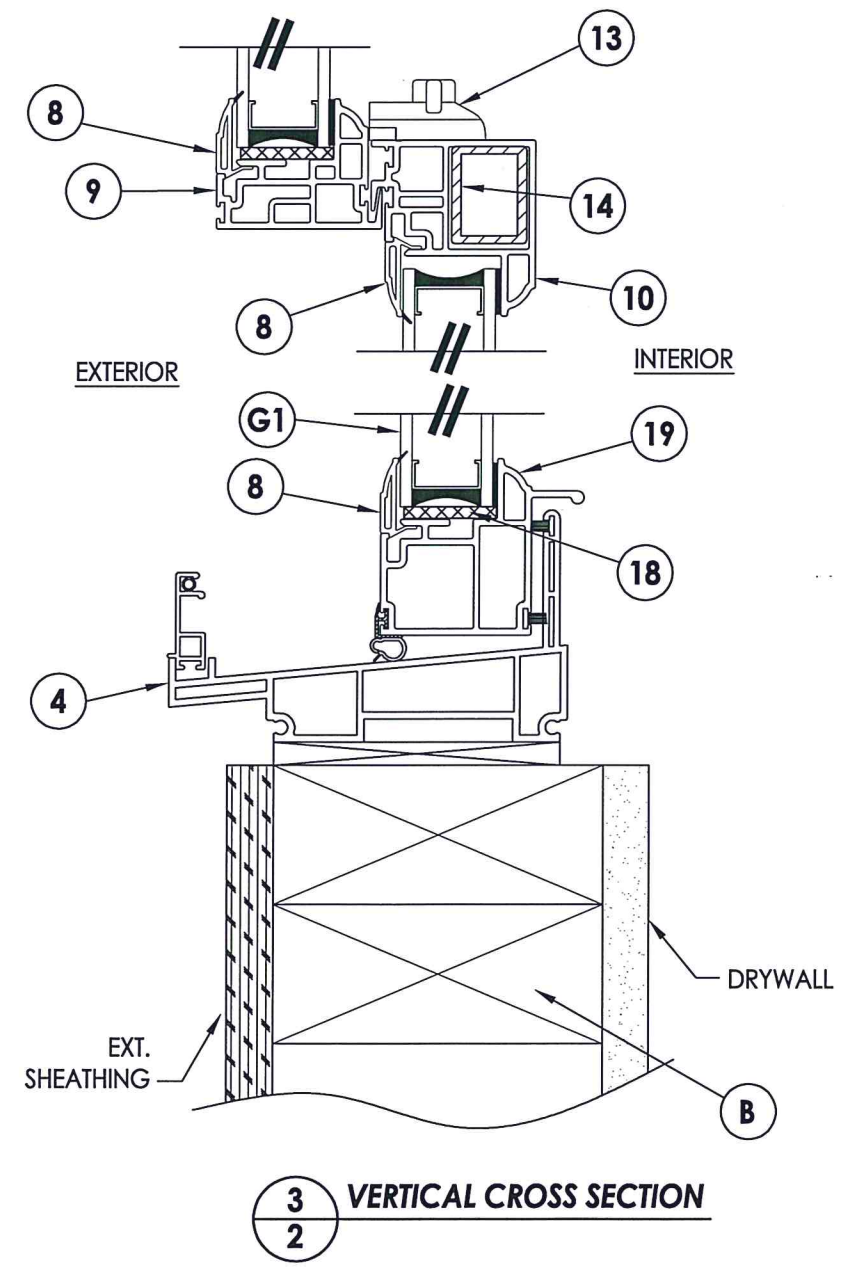
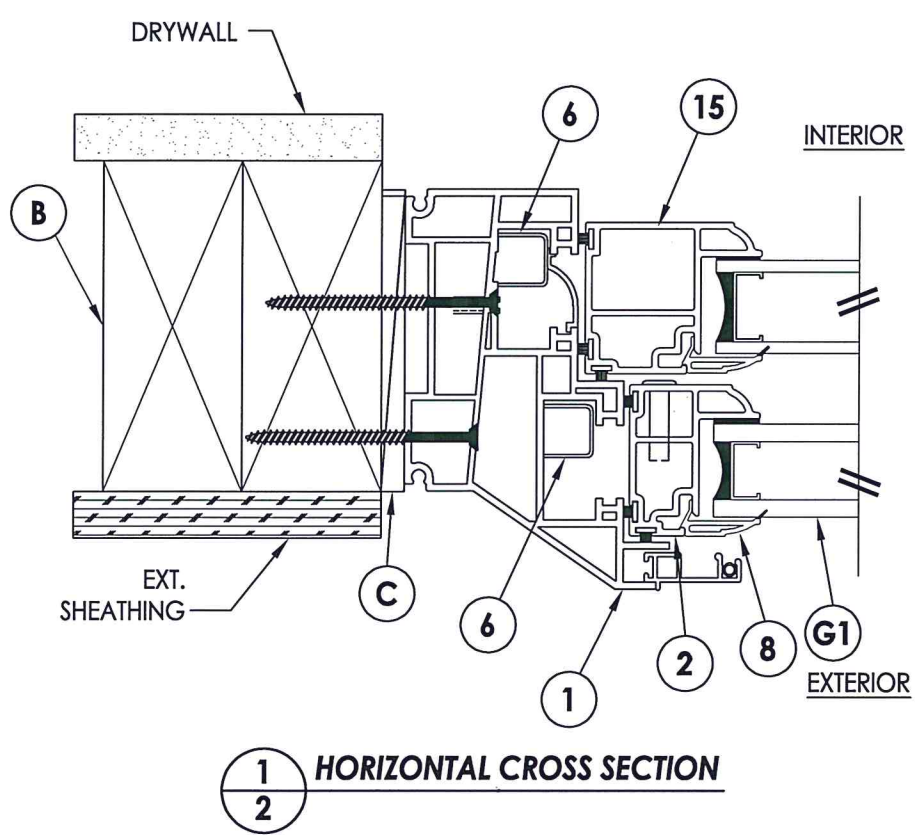
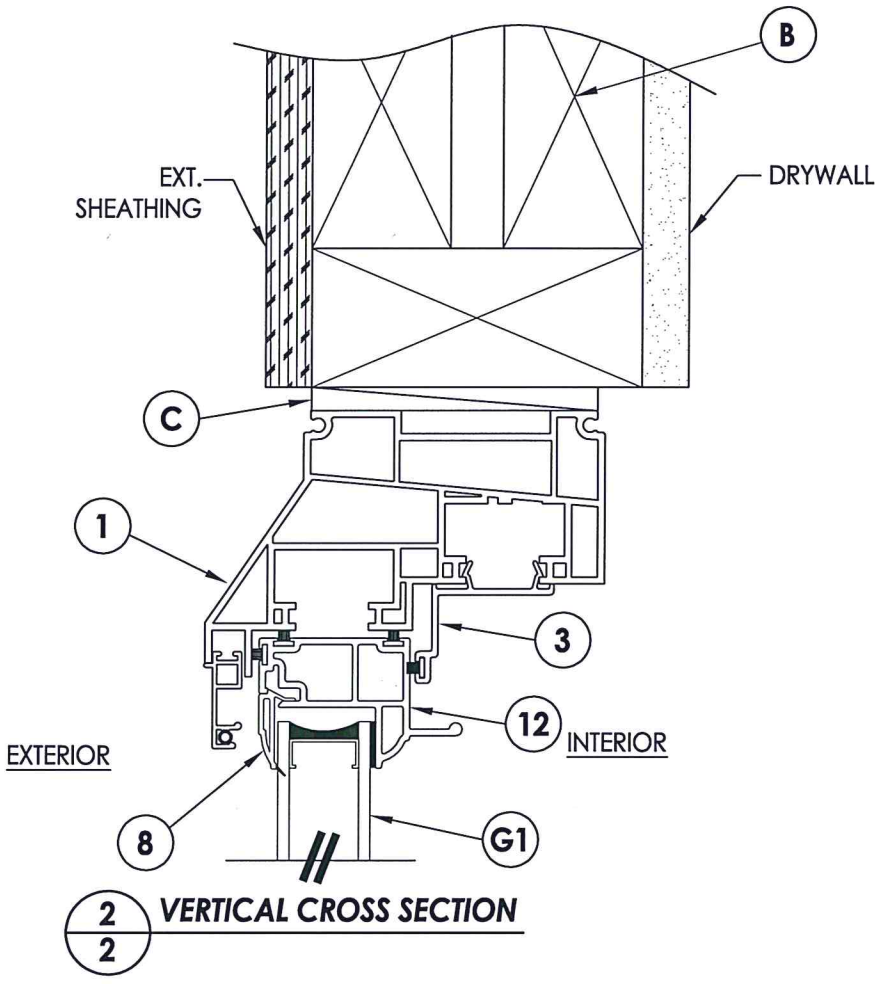
OVERALL FRAME DIMENSION	TOP D.L.O. DIMENSION	BOTTOM D.L.O. DIMENSION	NO. LOCKS	GLASS TYPE	DESIGN PRESSURE (PSF)	
					POSITIVE	NEGATIVE
44.0" x 75.0"	36.25" x 33.0"	36.25" x 33.0"	1	G1	+25.0	-25.0
44.0" x 75.0"	36.25" x 33.0"	36.25" x 33.0"	2		+30.0	-30.0
44.0" x 60.0"	36.25" x 25.5"	36.25" x 25.5"	2		+30.0	-35.0
36.0" x 72.0"	28.25" x 31.5"	28.25" x 31.5"	2		+30.0	-40.0
36.0" x 60.0"	28.25" x 25.5"	28.25" x 25.5"	2		+30.0	-55.0

NO.	DATE	REVISIONS
1	7/08/20	UPDATE TO 2018 IRC/IRC AND FOR NEW TESTING

DATE: 8/13/14
SCALE: N.T.S.
DWG. BY: JK
CHK. BY: LFS
DRAWING NO.: TX-4363
SHEET 1 OF 4



- NOTES:**
1. Anchors located above the meeting rail are in the interior track and anchors located below the meeting rail are in the exterior track.

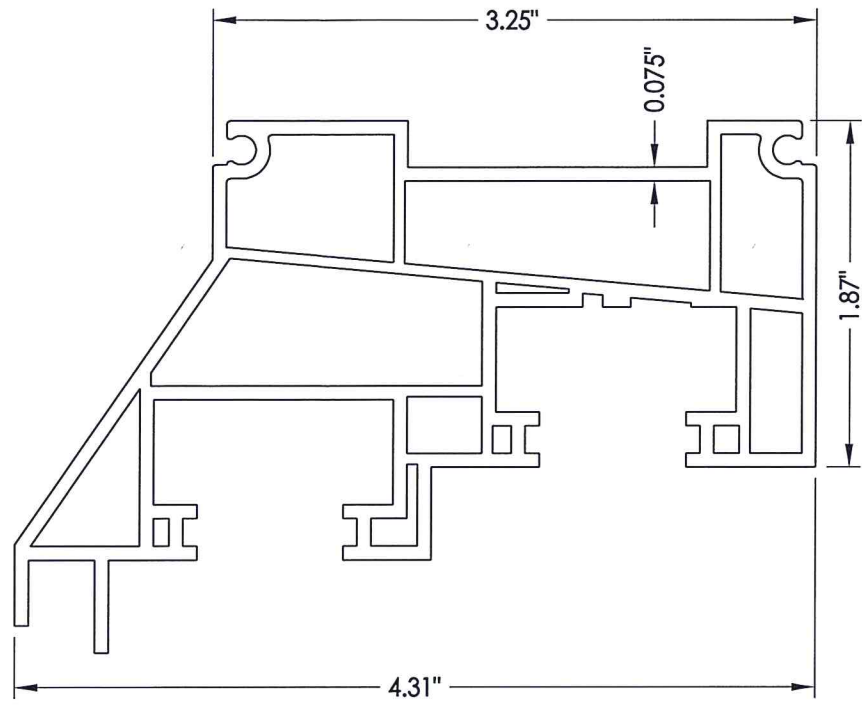


Documents Prepared By: Lyndon F. Schmidt, P.E.
TEXAS P.E. #104123

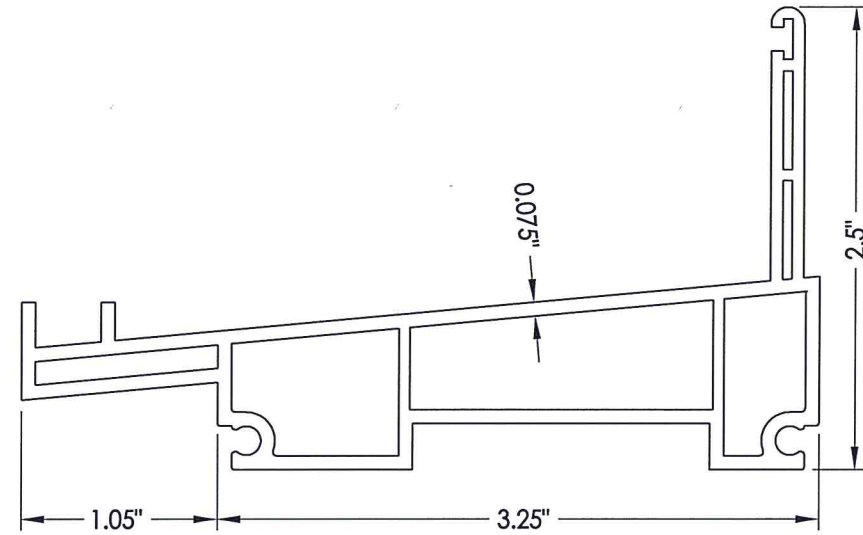
RW BUILDING CONSULTANTS, INC.
P.O. Box 230 Valrico FL 33595
Phone No.: 813.659.9197

TEXAS BOARD OF PROFESSIONAL ENGINEERS
CERTIFICATE OF REGISTRATION # F-11852

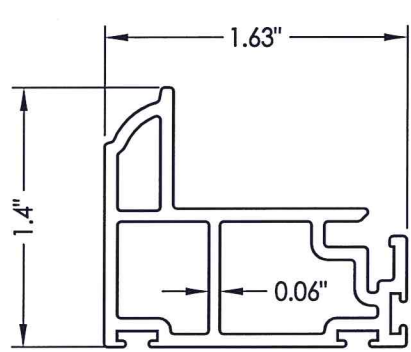
PRODUCT:		DOUBLE HUNG WINDOW	
PART OR ASSEMBLY:		VERTICAL & HORIZONTAL CROSS SECTIONS & FRAME ANCHORING	
NO.	DATE	REVISIONS	BY
1	7/08/20	UPDATE TO 2018 IBC/IRC AND FOR NEW TESTING	LFS
DATE: 8/13/14			
SCALE: N.T.S.			
DWG. BY: JK			
CHK. BY: LFS			
DRAWING NO.: TX-4363			
SHEET 2 OF 4			



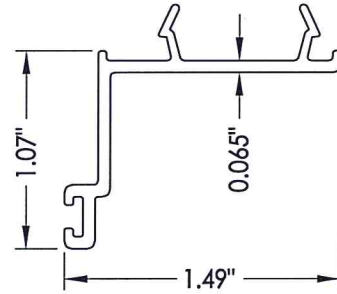
1 HEAD & JAMB
(UL0096)



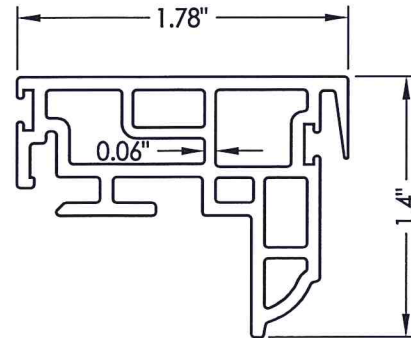
4 FRAME SILL
(UL0097)



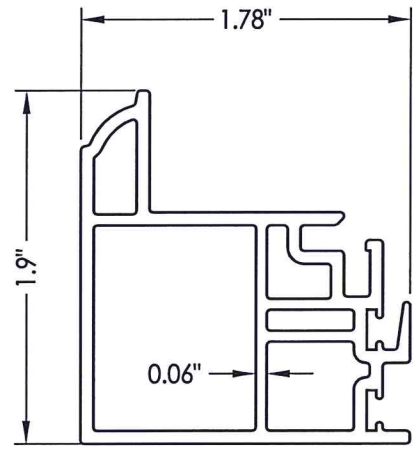
2 TOP SASH STILE
(UL0131)



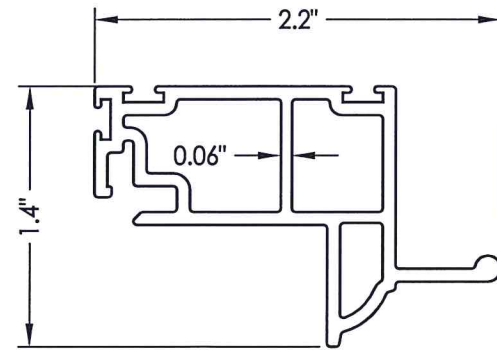
3 HEAD ADAPTER
(UL0099)



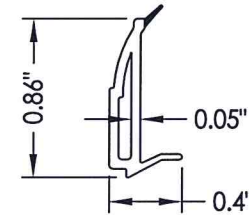
9 KEEPER RAIL
(UL0132)



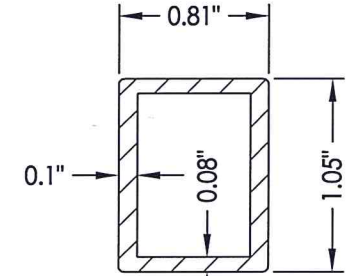
10 LOCK RAIL
(UL0134)



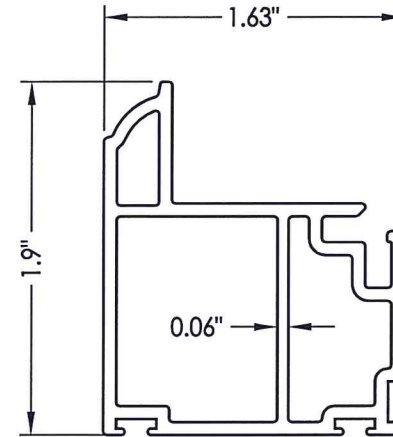
12 TOP SASH HANDLE RAIL
(UL0130)



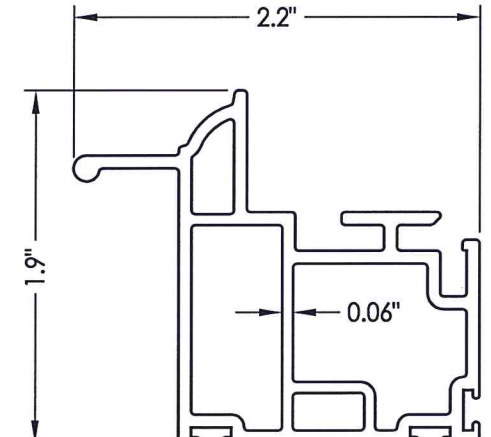
8 GLAZING BEAD
(UU0410)



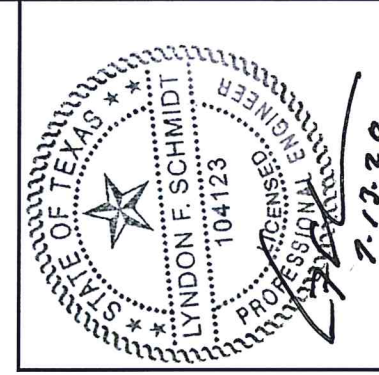
14 SASH REINFORCEMENT
(3719)



15 BOTTOM SASH STILE
(UL0135)



19 HANDLE RAIL
(UL0136)



Documents Prepared By: Lyndon F. Schmidt, P.E.
TEXAS P.E. #104123

RW BUILDING CONSULTANTS, INC.
P.O. Box 230 Valrico FL 33595
Phone No.: 813.659.9197

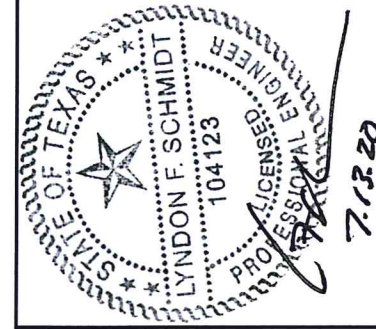
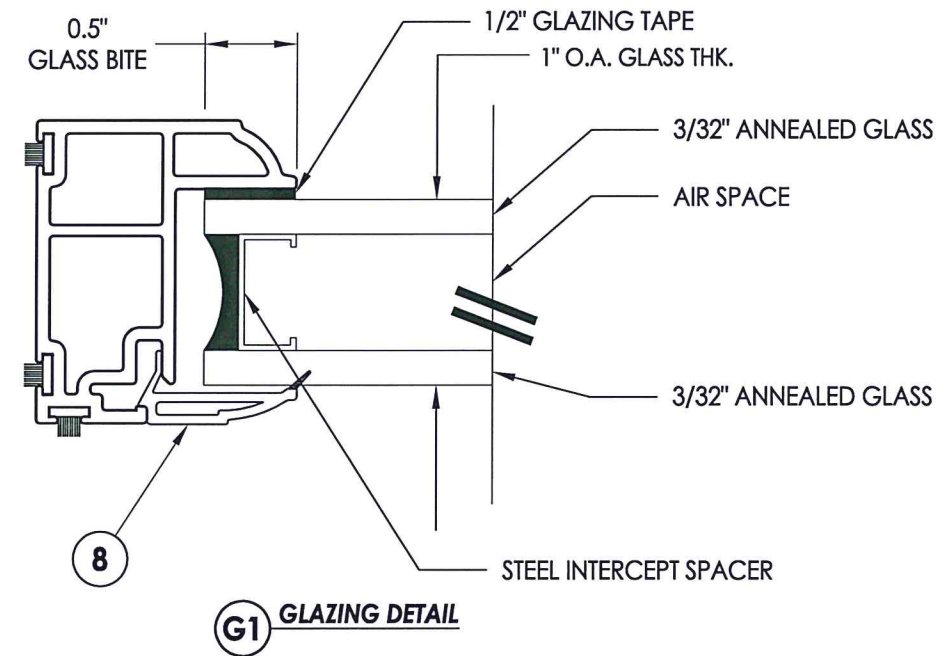
TEXAS BOARD OF PROFESSIONAL ENGINEERS
CERTIFICATE OF REGISTRATION # F-11852

PRODUCT:		DOUBLE HUNG WINDOW	
PART OR ASSEMBLY:		COMPONENTS	
NO.	DATE	BY	REVISIONS
1	7/08/20	LFS	UPDATE TO 2018 IBC/IRC AND FOR NEW TESTING
DATE: 8/13/14			
SCALE: N.T.S.			
DWG. BY: JK			
CHK. BY: LFS			
DRAWING NO.: TX-4363			
SHEET 3 OF 4			

BILL OF MATERIALS

ITEM #	DESCRIPTION	MATERIAL
B	2X BUCK (SG >= 0.42)	WOOD
C	1/4" MAX. SHIM SPACE	-
F	#10 X 2-1/2" PFH WOOD SCREW (1-1/4" MIN. EMBEDMENT)	STEEL
1	EXTRUDED VINYL HEAD & JAMB *	RIGID PVC
2	EXTRUDED VINYL SASH STILE *	RIGID PVC
3	EXTRUDED VINYL HEAD ADAPTER *	RIGID PVC
4	EXTRUDED VINYL FRAME SILL *	RIGID PVC
6	BLOCK & TACKLE BALANCE SHOE	-
8	EXTRUDED VINYL GLAZING BEAD *	RIGID PVC
9	EXTRUDED VINYL MEETING RAIL *	RIGID PVC
10	EXTRUDED VINYL LOCK RAIL *	RIGID PVC
12	TOP SASH HANDLE RAIL *	RIGID PVC
13	SWEEP LOCK	STEEL
14	SASH REINFORCEMENT	FIBERGLASS
15	EXTRUDED VINYL BOTTOM SASH *	RIGID PVC
18	NEOPRENE SETTING BLOCK	NEOPRENE
19	HANDLE RAIL*	RIGID PVC

* THE APPROVED WHITE RIGID PVC EXTERIOR EXTRUSIONS FOR WINDOWS ARE TO BE PRODUCED BY EXTRUDERS LICENSEES IN "AAMA CERTIFICATION PROGRAMS FOR RIGID PVC EXTRUSIONS".



Documents Prepared By: Lyndon F. Schmidt, P.E.
TEXAS P.E. #104123

RW BUILDING CONSULTANTS, INC.
P.O. Box 230 Vairico FL 33595
Phone No.: 813.659.9197
TEXAS BOARD OF PROFESSIONAL ENGINEERS
CERTIFICATE OF REGISTRATION # F-11852

PRODUCT: DOUBLE HUNG WINDOW
PART OR ASSEMBLY: BILL OF MATERIALS AND GLAZING DETAILS

NO.	DATE	BY	REVISIONS
1	7/08/20	LFS	UPDATE TO 2018 IBC/IRC AND FOR NEW TESTING

DATE: 8/13/14
SCALE: N.T.S.
DWG. BY: JK
CHK. BY: LFS
DRAWING NO.: TX-4363
SHEET 4 OF 4