

| REVISIONS | | | |
|-----------|----------------------|------------|----------|
| REV | DESCRIPTION | DATE | APPROVED |
| B | REVISED PER NEW CODE | 11/15/2021 | R.L. |

NOTES:

1. THE PRODUCT SHOWN HEREIN IS DESIGNED AND MANUFACTURED TO COMPLY WITH REQUIREMENTS OF THE 2018 IBC AND 2018 IRC.
2. WOOD FRAMING AND MASONRY OPENING TO BE DESIGNED AND ANCHORED TO PROPERLY TRANSFER ALL LOADS TO STRUCTURE. FRAMING AND MASONRY OPENING IS THE RESPONSIBILITY OF THE ARCHITECT OR ENGINEER OF RECORD.
3. 1X BUCK OVER MASONRY/CONCRETE IS OPTIONAL. WHERE 1X BUCK IS NOT USED DISSIMILAR MATERIALS MUST BE SEPARATED WITH APPROVED COATING OR MEMBRANE. SELECTION OF COATING OR MEMBRANE IS THE RESPONSIBILITY OF THE ARCHITECT OR ENGINEER OF RECORD.
4. ALLOWABLE STRESS INCREASE OF 1/3 WAS NOT USED IN THE DESIGN OF THE PRODUCT SHOWN HEREIN. WIND LOAD DURATION FACTOR Cd=1.6 WAS USED FOR WOOD ANCHOR CALCULATIONS.
5. FRAME MATERIAL: EXTRUDED RIGID PVC.
6. UNITS MUST BE GLAZED PER ASTM E1300.
7. APPROVED IMPACT PROTECTIVE SYSTEM IS REQUIRED FOR THIS PRODUCT IN WIND BORNE DEBRIS REGIONS.
8. SHIM AS REQUIRED AT EACH INSTALLATION ANCHOR WITH LOAD BEARING SHIM. SHIM WHERE SPACE OF 1/16" OR GREATER OCCURS. MAXIMUM ALLOWABLE SHIM STACK TO BE 1/4".
9. FOR ANCHORING INTO WOOD FRAMING OR 2X BUCK USE #10 WOOD SCREWS WITH SUFFICIENT LENGTH TO ACHIEVE A 1 1/4" MINIMUM EMBEDMENT INTO SUBSTRATE. LOCATE ANCHORS AS SHOWN IN ELEVATIONS AND INSTALLATION DETAILS.
10. FOR ANCHORING INTO MASONRY/CONCRETE USE 3/16" TAPCONS WITH SUFFICIENT LENGTH TO ACHIEVE A 1 1/4" MINIMUM EMBEDMENT INTO SUBSTRATE WITH 2" MINIMUM EDGE DISTANCE. LOCATE ANCHORS AS SHOWN IN ELEVATIONS AND INSTALLATION DETAILS.
11. FOR ANCHORING INTO METAL STRUCTURE USE #10 SMS OR SELF DRILLING SCREWS WITH SUFFICIENT LENGTH TO ACHIEVE 3 THREADS MINIMUM BEYOND STRUCTURE INTERIOR WALL. LOCATE ANCHORS AS SHOWN IN ELEVATIONS AND INSTALLATION DETAILS.
12. ALL FASTENERS TO BE CORROSION RESISTANT.
13. INSTALLATION ANCHORS SHALL BE INSTALLED IN ACCORDANCE WITH ANCHOR MANUFACTURER'S INSTALLATION INSTRUCTIONS AND ANCHORS SHALL NOT BE USED IN SUBSTRATES WITH STRENGTHS LESS THAN THE MINIMUM STRENGTH SPECIFIED BELOW:
 - A. WOOD – MINIMUM SPECIFIC GRAVITY OF G=0.42
 - B. CONCRETE – MINIMUM COMPRESSIVE STRENGTH OF 3,192 PSI.
 - C. MASONRY – STRENGTH CONFORMANCE TO ASTM C-90, GRADE N, TYPE 1 (OR GREATER).
 - D. METAL STRUCTURE: STEEL 18GA, 33KSI OR ALUMINUM 6063-T5 1/8" THICK MINIMUM
14. APPROVED CONFIGURATIONS: OX AND XO

SIGNED: 11/15/2021

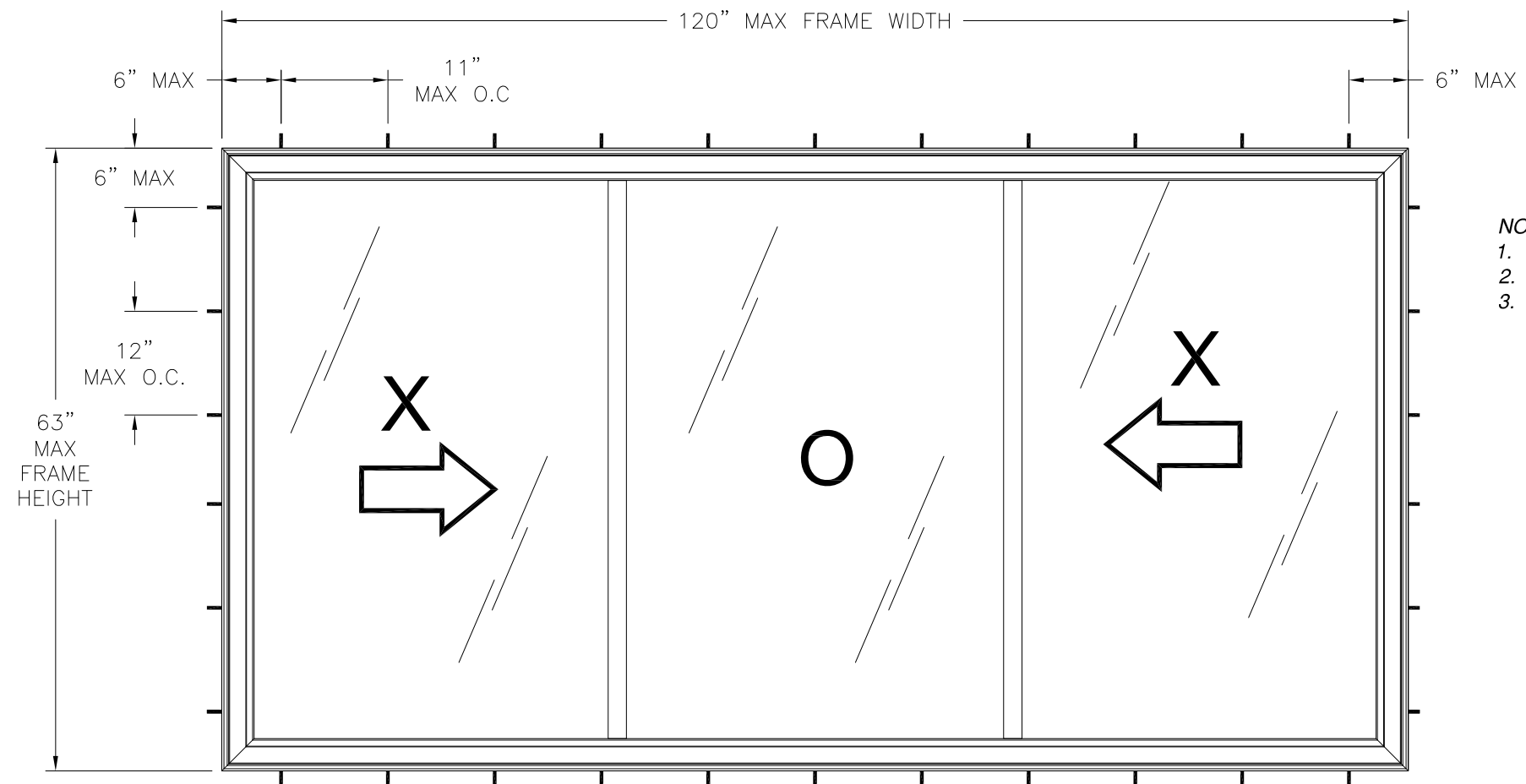
| TABLE OF CONTENTS | |
|-------------------|----------------------|
| SHEET NO. | DESCRIPTION |
| 1 | NOTES |
| 2 | ELEVATION |
| 3 - 5 | INSTALLATION DETAILS |

| | | |
|---|---------------------|--------------|
| REGENCY PLUS, INC. 2000 LOCUST GAP HIGHWAY MT. CARMEL, PA 17851 | | |
| SERIES 7013 VINYL HORIZONTAL SLIDING WINDOW NON-IMPACT XOx 120" X 63" NOTES | | |
| DRAWN: V.L. | DWG NO. 08-02053 | REV B |
| SCALE NTS | DATE 06/17/13 | SHEET 1 OF 5 |
| L. ROBERTO LOMAS P.E. 1432 WOODFORD RD LEWISVILLE, NC 27023 434-688-0609 rllomas@rlomaspe.com | | |



Luis R. Lomas P.E.
TX No.: 101889

| REVISIONS | | | |
|-----------|----------------------|------------|----------|
| REV | DESCRIPTION | DATE | APPROVED |
| B | REVISED PER NEW CODE | 11/15/2021 | R.L. |



NOTES:

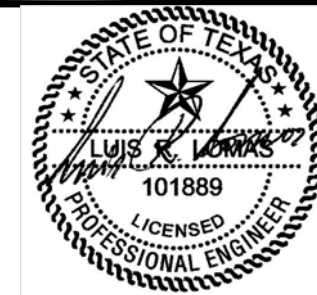
1. MAXIMUM PANEL SIZE: 28 9/16" X 60"
2. MAXIMUM PANEL D.L.O.: 24 3/4" X 56 5/8"
3. MAXIMUM FIXED LITE D.L.O.: 58 3/8" X 57 9/16"

SERIES 7013 VINYL HORIZONTAL SLIDING WINDOW XOX
EXTERIOR VIEW

| DESIGN PRESSURE RATING | IMPACT RATING |
|------------------------|---------------|
| ±50.0PSF | NONE |

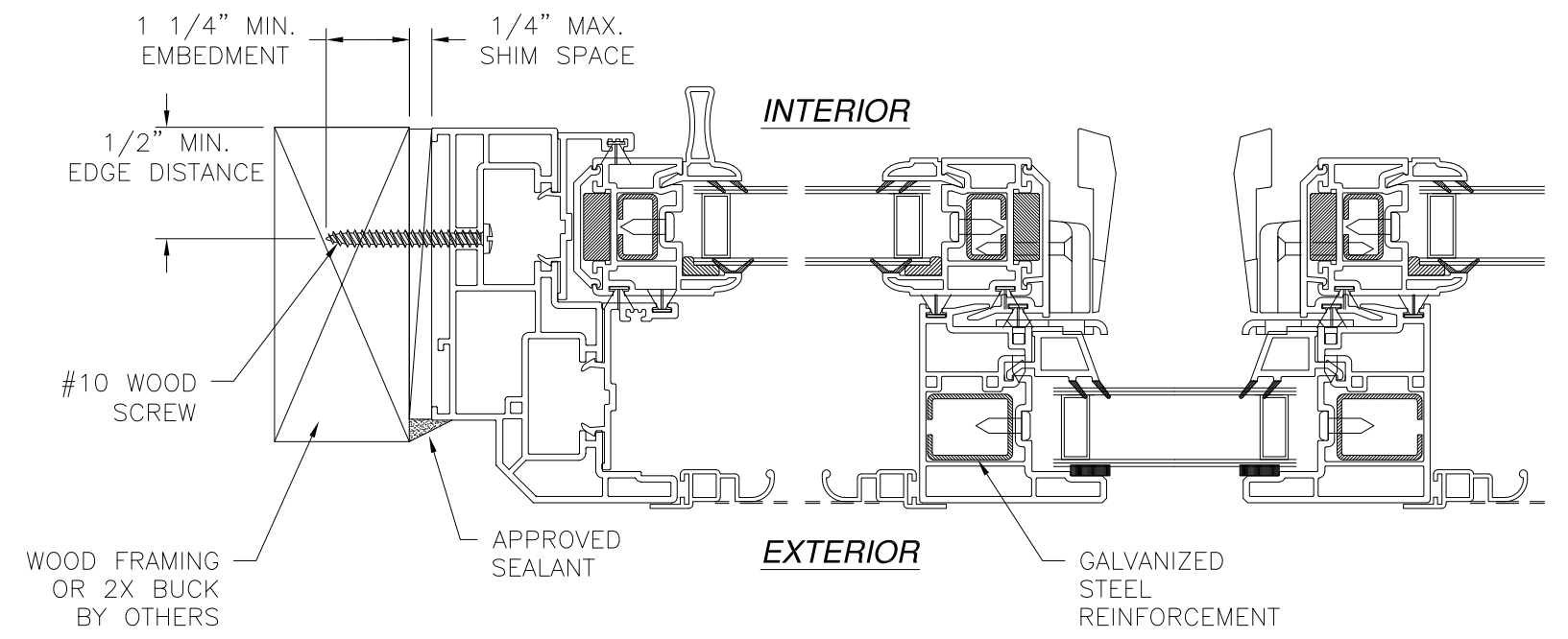
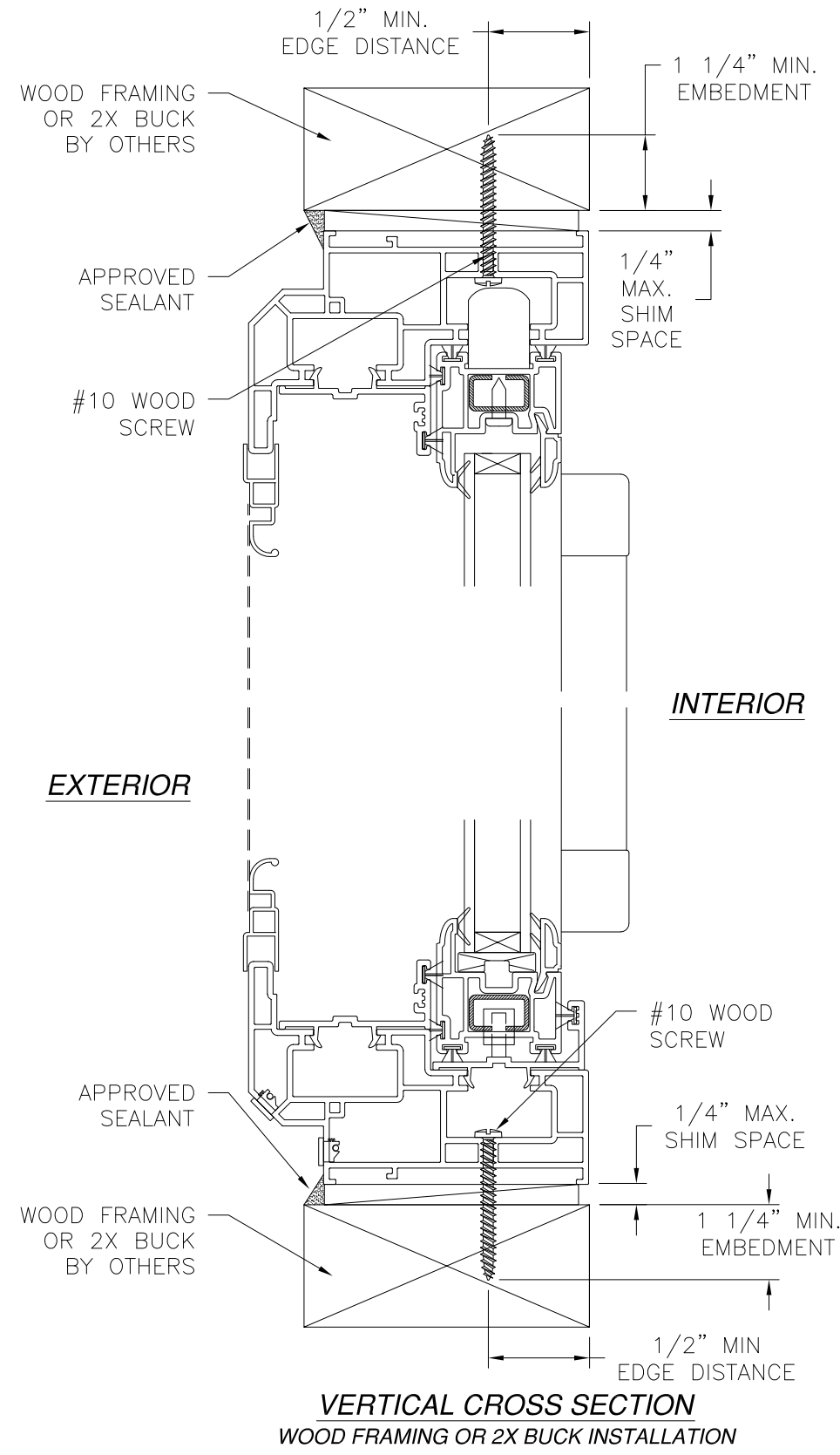
SIGNED: 11/15/2021

| | | |
|--|---------------------|--------------|
| <p>REGENCY PLUS, INC. 2000 LOCUST GAP HIGHWAY MT. CARMEL, PA 17851</p> | | |
| <p>SERIES 7013 VINYL HORIZONTAL SLIDING WINDOW NON-IMPACT XOX 120" X 63" ELEVATION</p> | | |
| DRAWN: V.L. | DWG NO. 08-02053 | REV B |
| SCALE NTS | DATE 06/17/13 | SHEET 2 OF 5 |
| <p>L. ROBERTO LOMAS P.E. 1432 WOODFORD RD LEWISVILLE, NC 27023 434-688-0609 rllomas@rlomaspe.com</p> | | |



Luis R. Lomas P.E.
TX No.: 101889

| REVISIONS | | | |
|-----------|----------------------|------------|----------|
| REV | DESCRIPTION | DATE | APPROVED |
| B | REVISED PER NEW CODE | 11/15/2021 | R.L. |



- NOTES:**
1. INTERIOR AND EXTERIOR FINISHES, BY OTHERS, NOT SHOWN FOR CLARITY.
 2. PERIMETER AND JOINT SEALANT BY OTHERS TO BE DESIGNED IN ACCORDANCE WITH ASTM E2112

REGENCY PLUS, INC.
 2000 LOCUST GAP HIGHWAY
 MT. CARMEL, PA 17851

SERIES 7013 VINYL HORIZONTAL SLIDING WINDOW
 NON-IMPACT XOX 120" X 63"
 INSTALLATION DETAILS

| | | |
|----------------|---------------------|-----------------|
| DRAWN: V.L. | DWG NO. 08-02053 | REV B |
| SCALE NTS | DATE 06/17/13 | SHEET 3 OF 5 |

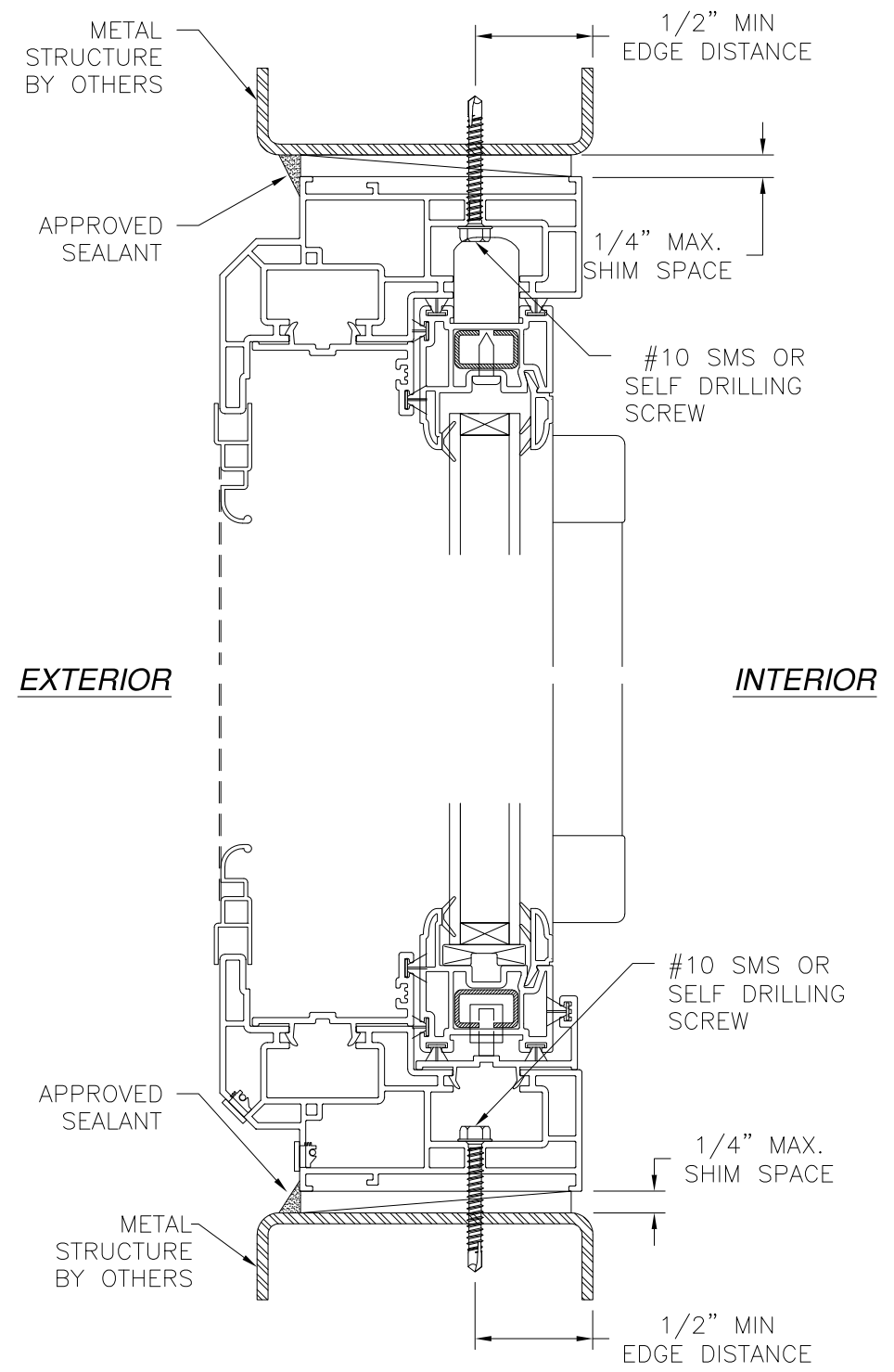
L. ROBERTO LOMAS P.E.
 1432 WOODFORD RD LEWISVILLE, NC 27023
 434-688-0609 rllomas@rlomaspe.com

SIGNED: 11/15/2021

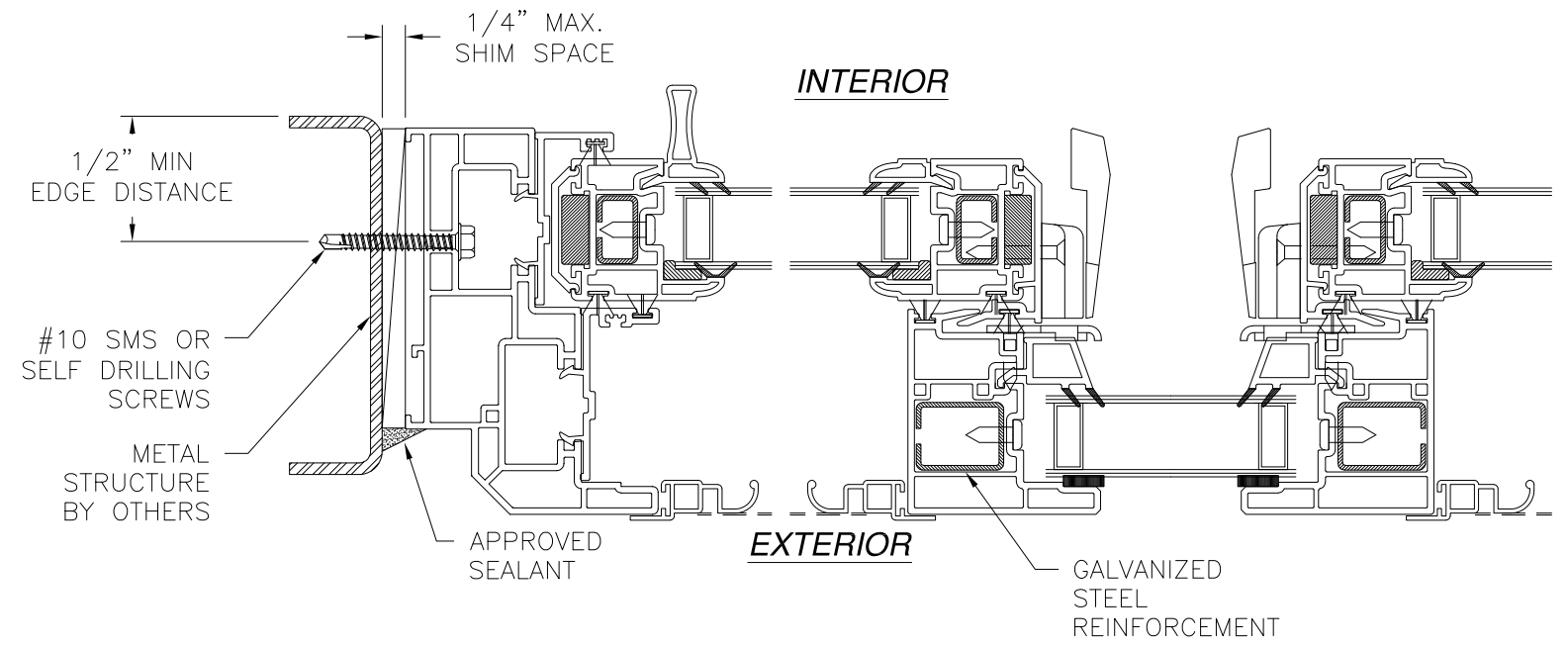


Luis R. Lomas P.E.
 TX No.: 101889

| REVISIONS | | | |
|-----------|----------------------|------------|----------|
| REV | DESCRIPTION | DATE | APPROVED |
| B | REVISED PER NEW CODE | 11/15/2021 | R.L. |



VERTICAL CROSS SECTION
METAL STRUCTURE INSTALLATION



JAMB INSTALLATION DETAIL
METAL STRUCTURE INSTALLATION

- NOTES:**
1. INTERIOR AND EXTERIOR FINISHES, BY OTHERS, NOT SHOWN FOR CLARITY.
 2. PERIMETER AND JOINT SEALANT BY OTHERS TO BE DESIGNED IN ACCORDANCE WITH ASTM E2112

REGENCY PLUS, INC.
2000 LOCUST GAP HIGHWAY
MT. CARMEL, PA 17851

SERIES 7013 VINYL HORIZONTAL SLIDING WINDOW
NON-IMPACT XOX 120" X 63"
INSTALLATION DETAILS

| | | |
|----------------|---------------------|--------------|
| DRAWN: V.L. | DWG NO. 08-02053 | REV B |
| SCALE NTS | DATE 06/17/13 | SHEET 4 OF 5 |

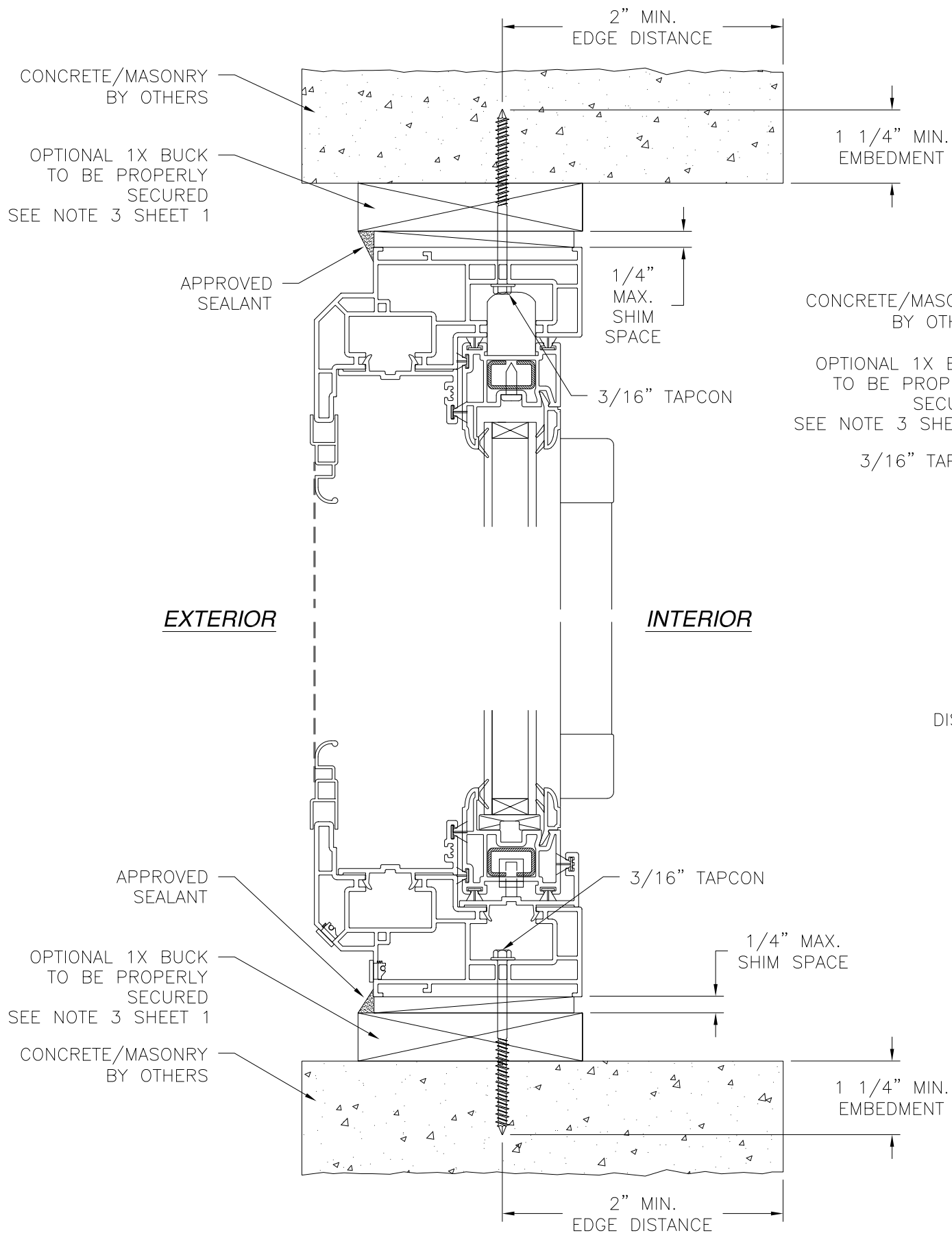
L. ROBERTO LOMAS P.E.
1432 WOODFORD RD LEWISVILLE, NC 27023
434-688-0609 rllomas@rlomaspe.com

SIGNED: 11/15/2021

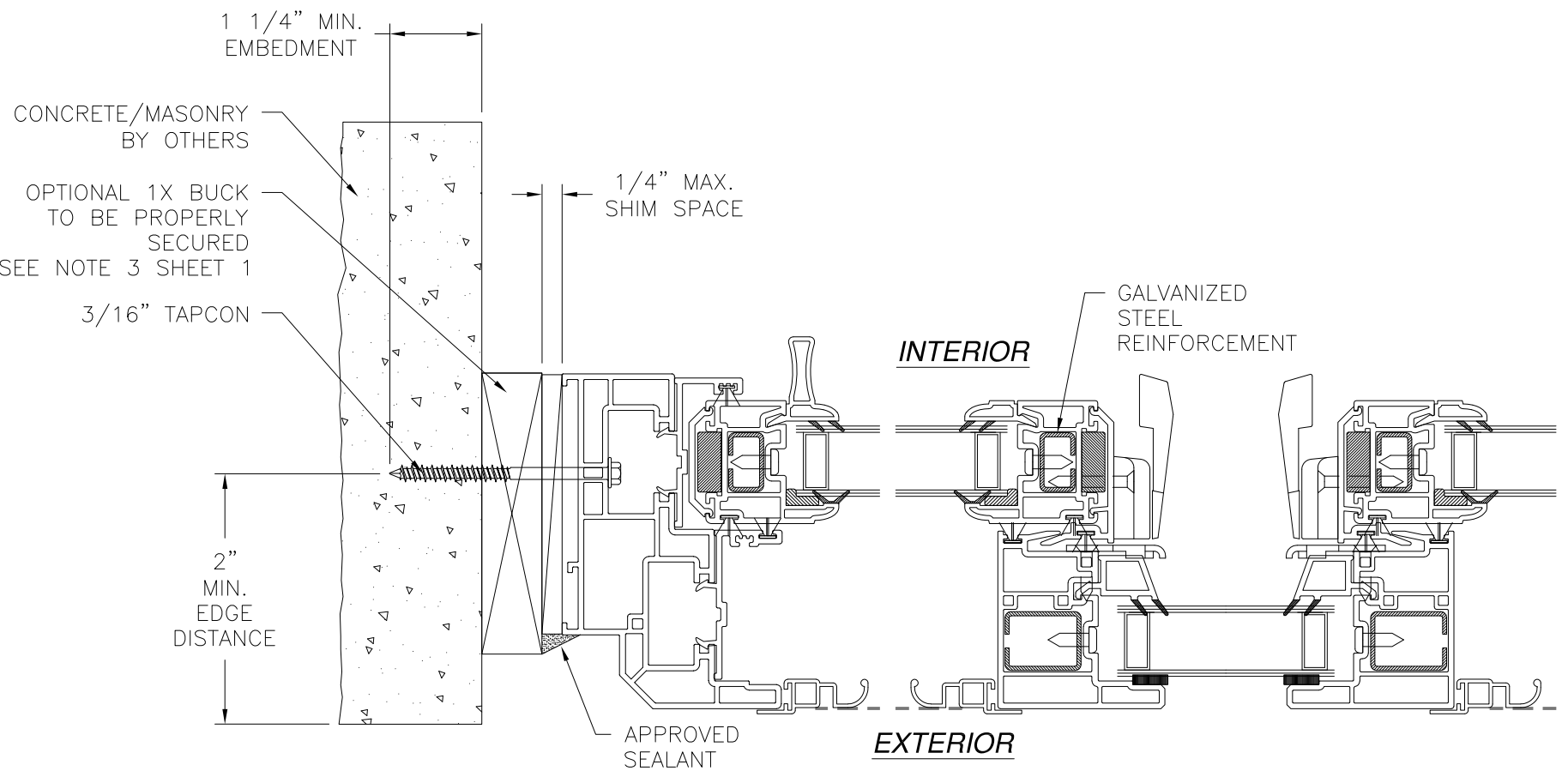


Luis R. Lomas P.E.
TX No.: 101889

| REVISIONS | | | |
|-----------|----------------------|------------|----------|
| REV | DESCRIPTION | DATE | APPROVED |
| B | REVISED PER NEW CODE | 11/15/2021 | R.L. |



VERTICAL CROSS SECTION
CONCRETE/MASONRY INSTALLATION



JAMB INSTALLATION DETAIL
CONCRETE/MASONRY INSTALLATION

- NOTES:**
1. INTERIOR AND EXTERIOR FINISHES, BY OTHERS, NOT SHOWN FOR CLARITY.
 2. PERIMETER AND JOINT SEALANT BY OTHERS TO BE DESIGNED IN ACCORDANCE WITH ASTM E2112

SIGNED: 11/15/2021

REGENCY PLUS, INC.
2000 LOCUST GAP HIGHWAY
MT. CARMEL, PA 17851

SERIES 7013 VINYL HORIZONTAL SLIDING WINDOW
NON-IMPACT XOX 120" X 63"
INSTALLATION DETAILS

| | | |
|----------------|---------------------|--------------|
| DRAWN: V.L. | DWG NO. 08-02053 | REV B |
| SCALE NTS | DATE 06/17/13 | SHEET 5 OF 5 |

L. ROBERTO LOMAS P.E.
1432 WOODFORD RD LEWISVILLE, NC 27023
434-688-0609 rllomas@rlomaspe.com



Luis R. Lomas P.E.
TX No.: 101889