

REVISIONS			
REV	DESCRIPTION	DATE	APPROVED
A	REVISED PER NEW CODE	12/14/2021	R.L.

NOTES:

1. THE PRODUCT SHOWN HEREIN IS DESIGNED AND MANUFACTURED TO COMPLY WITH REQUIREMENTS OF THE 2018 IBC AND 2018 IRC.
2. WOOD FRAMING AND MASONRY OPENING TO BE DESIGNED AND ANCHORED TO PROPERLY TRANSFER ALL LOADS TO STRUCTURE. FRAMING AND MASONRY OPENING IS THE RESPONSIBILITY OF THE ARCHITECT OR ENGINEER OF RECORD.
3. 1X BUCK OVER MASONRY/CONCRETE IS OPTIONAL. WHERE 1X BUCK IS NOT USED DISSIMILAR MATERIALS MUST BE SEPARATED WITH APPROVED COATING OR MEMBRANE. SELECTION OF COATING OR MEMBRANE IS THE RESPONSIBILITY OF THE ARCHITECT OR ENGINEER OF RECORD.
4. ALLOWABLE STRESS INCREASE OF 1/3 WAS NOT USED IN THE DESIGN OF THE PRODUCT SHOWN HEREIN. WIND LOAD DURATION FACTOR Cd=1.6 WAS USED FOR WOOD ANCHOR CALCULATIONS.
5. FRAME MATERIAL: EXTRUDED RIGID PVC.
6. UNITS MUST BE GLAZED PER ASTM E1300, SEE SHEET 2 FOR GLASS DETAILS.
7. APPROVED IMPACT PROTECTIVE SYSTEM IS NOT REQUIRED FOR THIS PRODUCT IN WIND BORNE DEBRIS REGIONS.
8. SHIM AS REQUIRED AT EACH INSTALLATION ANCHOR WITH LOAD BEARING SHIM. SHIM WHERE SPACE OF 1/16" OR GREATER OCCURS. MAXIMUM ALLOWABLE SHIM STACK TO BE 1/4".
9. FOR ANCHORING TROUGH FIN INTO WOOD FRAMING OR 2X BUCK USE #8 WOOD SCREWS WITH SUFFICIENT LENGTH TO ACHIEVE A 1 1/4" MINIMUM EMBEDMENT INTO SUBSTRATE. LOCATE ANCHORS AS SHOWN IN ELEVATIONS AND INSTALLATION DETAILS.
10. FOR ANCHORING TROUGH FIN INTO WOOD FRAMING OR 2X BUCK USE 6D COMMON NAIL WITH SUFFICIENT LENGTH TO ACHIEVE A 1 1/2" MINIMUM EMBEDMENT INTO SUBSTRATE. LOCATE ANCHORS AS SHOWN IN ELEVATIONS AND INSTALLATION DETAILS.
11. FOR ANCHORING TROUGH FRAME INTO WOOD FRAMING OR 2X BUCK USE #10 WOOD SCREWS WITH SUFFICIENT LENGTH TO ACHIEVE A 1 1/4" MINIMUM EMBEDMENT INTO SUBSTRATE. LOCATE ANCHORS AS SHOWN IN ELEVATIONS AND INSTALLATION DETAILS.
12. FOR ANCHORING TROUGH FRAME INTO MASONRY/CONCRETE USE 3/16" TAPCONS WITH SUFFICIENT LENGTH TO ACHIEVE A 1 1/4" MINIMUM EMBEDMENT INTO SUBSTRATE WITH 2" MINIMUM EDGE DISTANCE. LOCATE ANCHORS AS SHOWN IN ELEVATIONS AND INSTALLATION DETAILS.
13. FOR ANCHORING TROUGH FRAME INTO METAL STRUCTURE USE #10 SMS OR SELF DRILLING SCREWS WITH SUFFICIENT LENGTH TO ACHIEVE 3 THREADS MINIMUM BEYOND STRUCTURE INTERIOR WALL. LOCATE ANCHORS AS SHOWN IN ELEVATIONS AND INSTALLATION DETAILS.
14. ALL FASTENERS TO BE CORROSION RESISTANT.
15. INSTALLATION ANCHORS SHALL BE INSTALLED IN ACCORDANCE WITH ANCHOR MANUFACTURER'S INSTALLATION INSTRUCTIONS AND ANCHORS SHALL NOT BE USED IN SUBSTRATES WITH STRENGTHS LESS THAN THE MINIMUM STRENGTH SPECIFIED BELOW:
 - A. WOOD – MINIMUM SPECIFIC GRAVITY OF G=0.42
 - B. CONCRETE – MINIMUM COMPRESSIVE STRENGTH OF 3,192 PSI.
 - C. MASONRY – STRENGTH CONFORMANCE TO ASTM C-90, GRADE N, TYPE 1 (OR GREATER).
 - D. METAL STRUCTURE: STEEL 18GA, 33KSI OR ALUMINUM 6063-T5 1/8" THICK MINIMUM

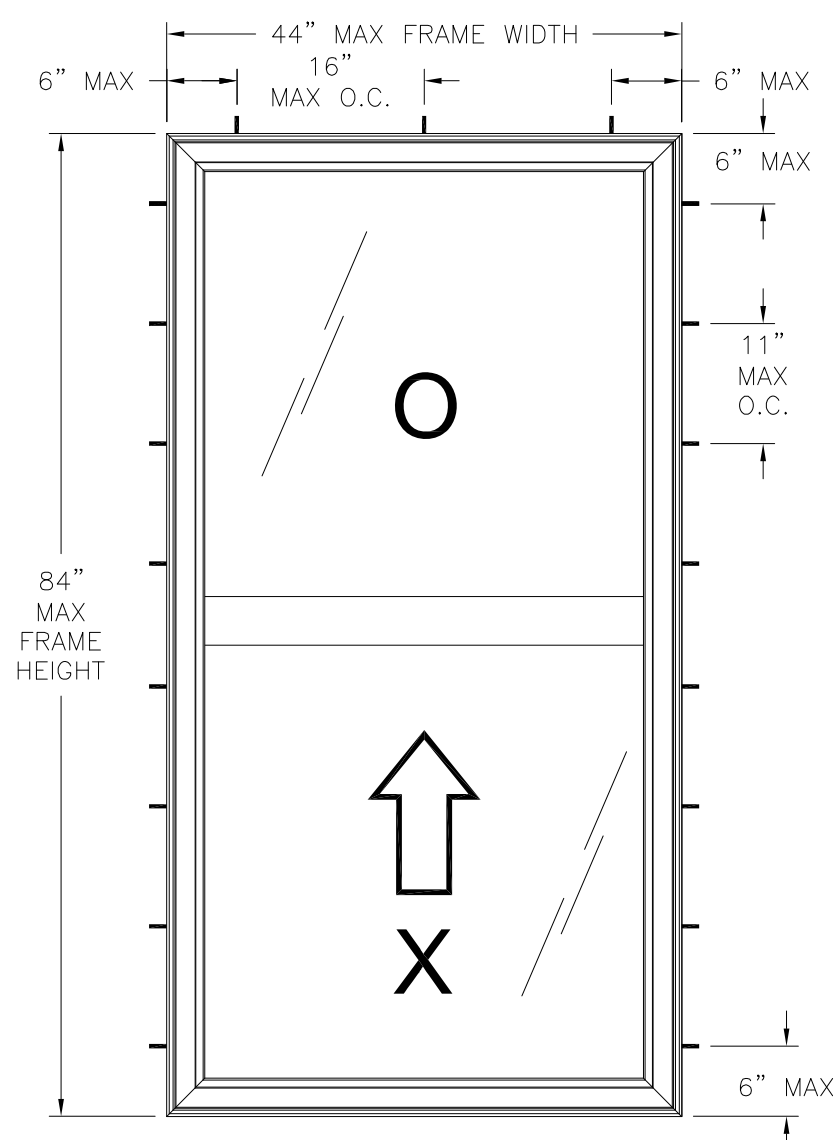
SIGNED: 02/09/2022

TABLE OF CONTENTS	
SHEET NO.	DESCRIPTION
1	NOTES
2	ELEVATION, ANCHORING AND GLAZING DETAILS
3 – 10	INSTALLATION DETAILS

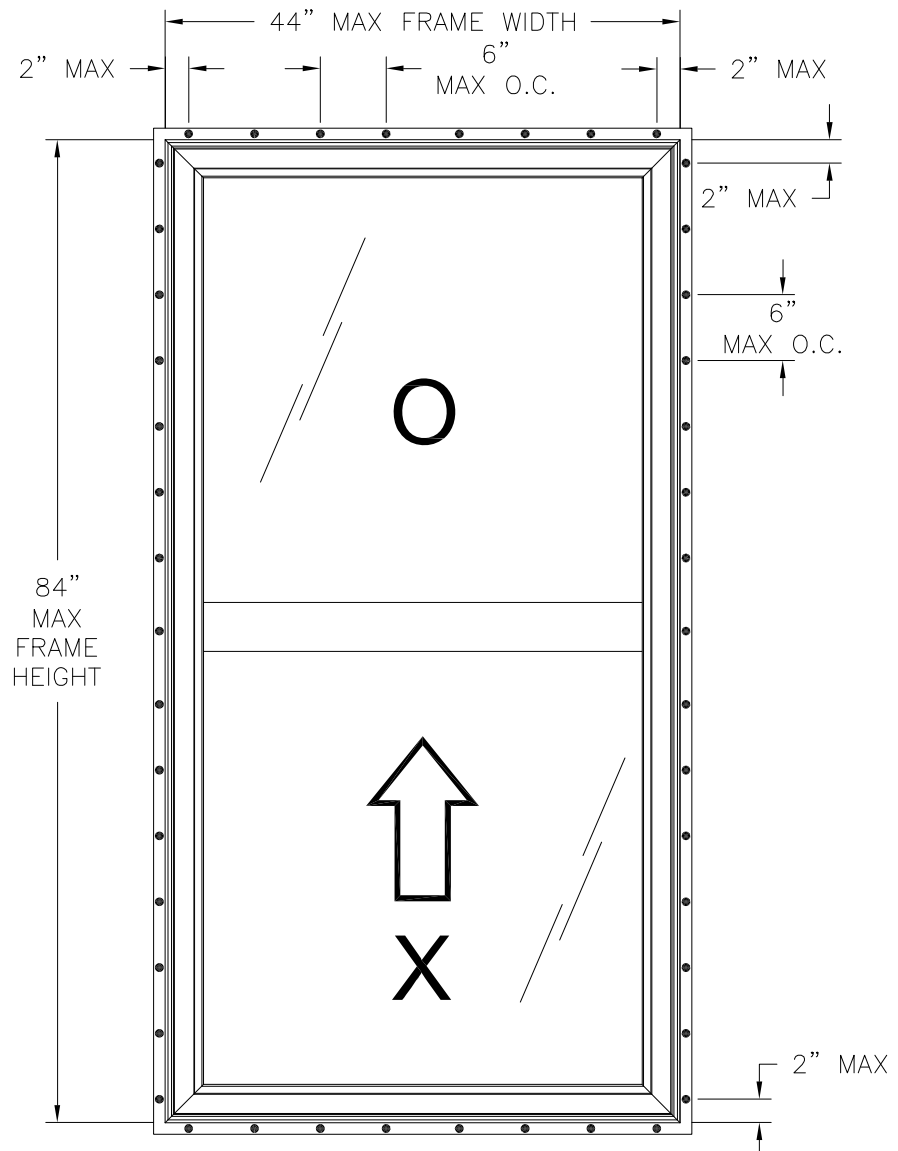
SHOWCASE CUSTOM WINDOWS & DOORS 12613 CITYPARK DRIVE, SUITE 100 MISSOURI CITY, TX 77489		
142.194SH-018/143/145.095 VINYL SINGLE HUNG NC/REP, IMPACT 44" X 84" NOTES		
DRAWN: A.R.	DWG NO. 08-03107	REV A
SCALE NTS	DATE 04/25/17	SHEET 1 OF 10
L. ROBERTO LOMAS P.E. 1432 WOODFORD RD LEWISVILLE, NC 27023 434-688-0609 rllomas@rlomaspe.com		



Luis R. Lomas P.E.
 TX No.: 101889
 Firm No: F-23130



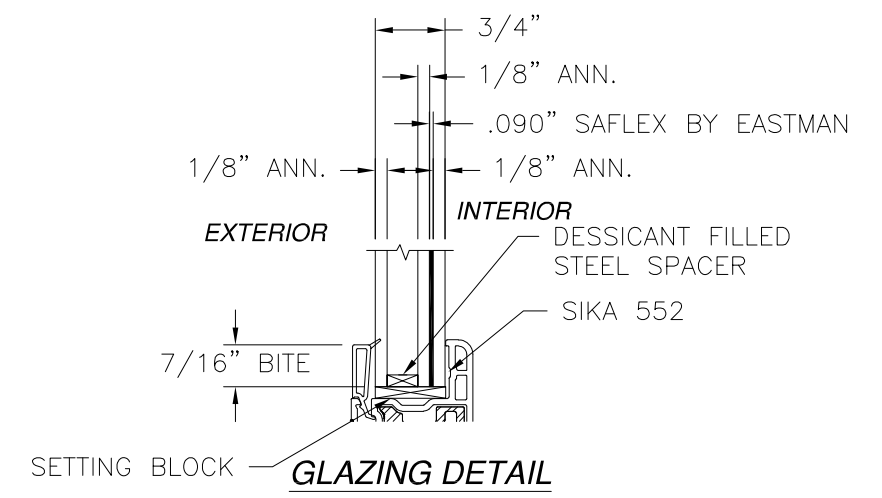
142.194SH-018/143/145.095
SINGLE HUNG REP
 EXTERIOR VIEW
 FRAME INSTALLATION



142.194SH-018/143/145.095
SINGLE HUNG NC
 EXTERIOR VIEW
 FIN INSTALLATION

REVISIONS			
REV	DESCRIPTION	DATE	APPROVED
A	REVISED PER NEW CODE	12/14/2021	R.L.

- NOTES:**
1. MAXIMUM SASH SIZE: 40 13/16" x 35 1/8"
 2. "MAXIMUM D.L.O.": 37 7/8" x 32 1/2"



DESIGN PRESSURE RATING	IMPACT RATING
±65.0PSF	LARGE AND SMALL MISSILE IMPACT

MISSILE LEVEL D, WIND ZONE 4

HARDWARE SCHEDULE	
A.	METALLIC CAM ACTION LOCK 8" FROM EACH END OF SASH TOP RAIL
B.	METALLIC PIVOT BAR AT EACH END OF SASH BOTTOM RAIL
C.	METAL SNUBBERS LOCATED AT UNDERSIDE OF BOTTOM RAIL AND FRAME SILL 15" FROM EACH END
D.	METALLIC SPRING LOADED TILT LATCH AT EACH END OF SASH TOP RAIL
E.	6005-T5 ALUMINUM EXTRUSION (10300082) AT SASH STILES, LIFT AND LOCK RAIL
F.	6005-T5 ALUMINUM EXTRUSION (10300084) AT FIXED MEETING RAIL
G.	REINFORCEMENT (10300096) AT FRAME SILL

SHOWCASE CUSTOM WINDOWS & DOORS
 12613 CITYPARK DRIVE, SUITE 100
 MISSOURI CITY, TX 77489

142.194SH-018/143/145.095 VINYL SINGLE HUNG NC/REP, IMPACT 44" X 84"
 ELEVATIONS AND GLAZING DETAIL

DRAWN: A.R.	DWG NO. 08-03107	REV A
SCALE NTS	DATE 04/25/17	SHEET 2 OF 10

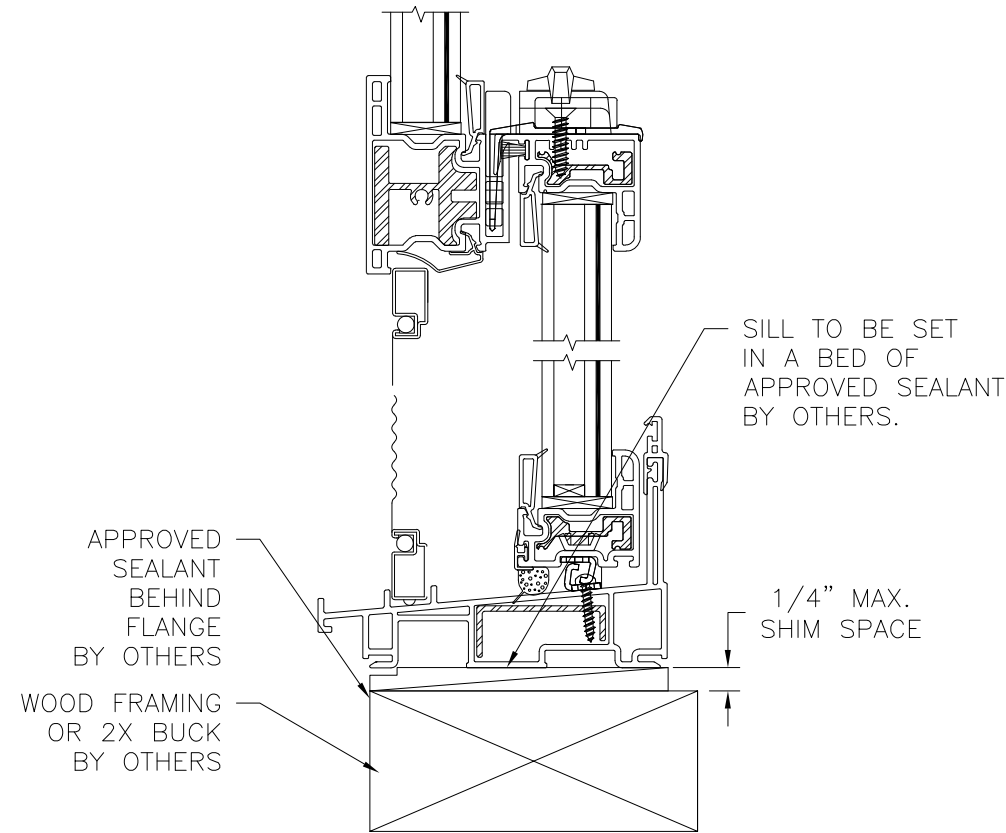
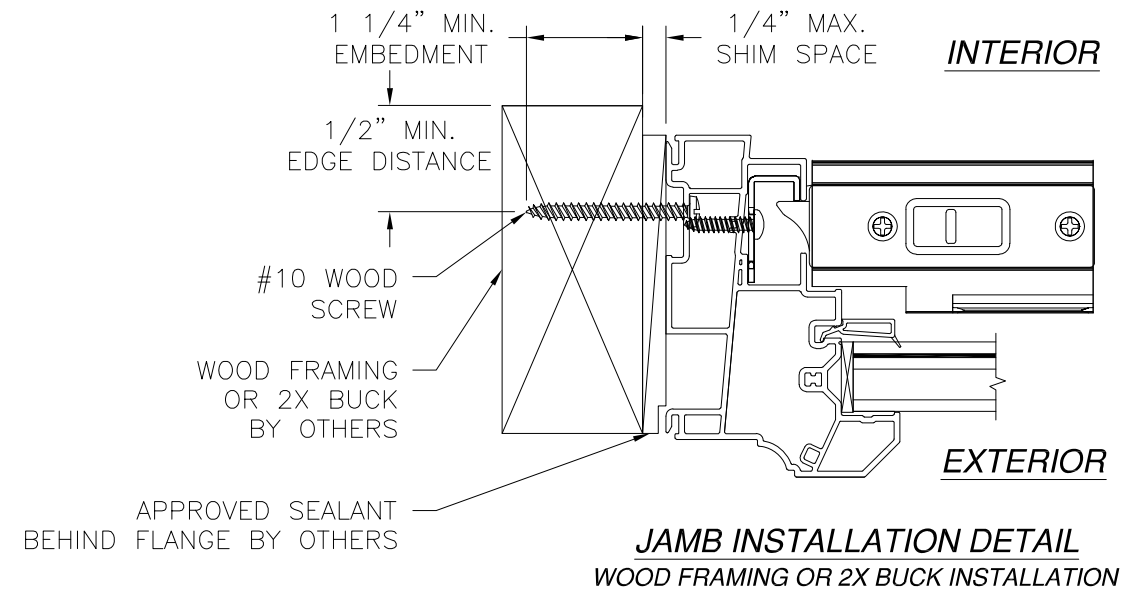
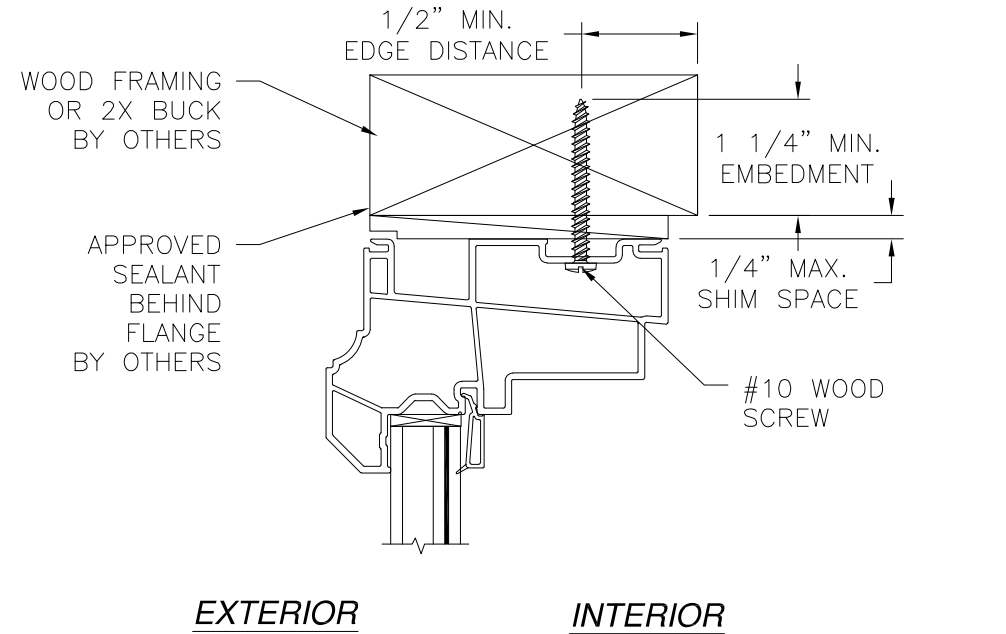
L. ROBERTO LOMAS P.E.
 1432 WOODFORD RD LEWISVILLE, NC 27023
 434-688-0609 rllomas@rlomaspe.com

SIGNED: 02/09/2022



Luis R. Lomas P.E.
 TX No.: 101889
 Firm No: F-23130

REVISIONS			
REV	DESCRIPTION	DATE	APPROVED
A	REVISED PER NEW CODE	12/14/2021	R.L.



VERTICAL CROSS SECTION
WOOD FRAMING OR 2X BUCK INSTALLATION

- NOTES:
1. INTERIOR AND EXTERIOR FINISHES, BY OTHERS, NOT SHOWN FOR CLARITY.
 2. PERIMETER AND JOINT SEALANT BY OTHERS TO BE DESIGNED IN ACCORDANCE WITH ASTM E2112

SHOWCASE CUSTOM WINDOWS & DOORS
12613 CITYPARK DRIVE, SUITE 100
MISSOURI CITY, TX 77489

142.194SH-018/143/145.095 VINYL SINGLE HUNG
NC/REP, IMPACT 44" X 84"
INSTALLATION DETAILS

DRAWN: A.R.	DWG NO. 08-03107	REV A
SCALE NTS	DATE 04/25/17	SHEET 3 OF 10

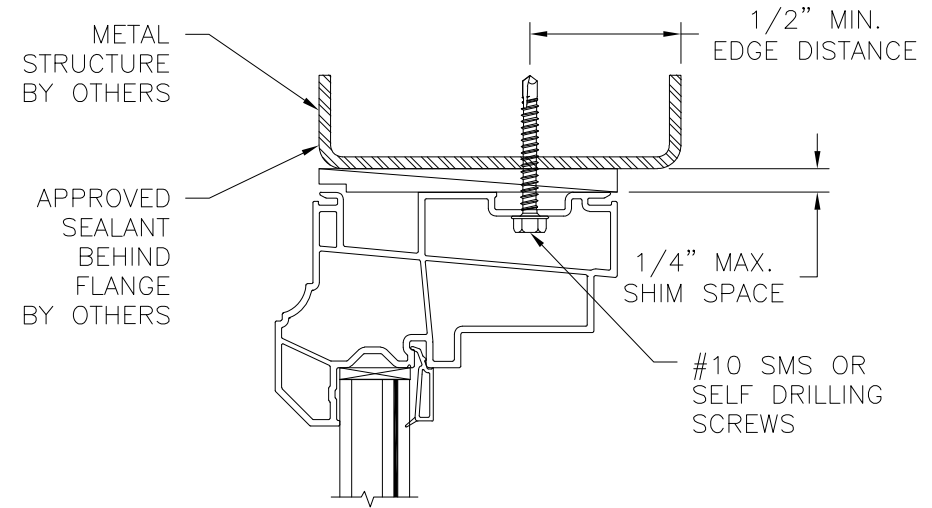
L. ROBERTO LOMAS P.E.
1432 WOODFORD RD LEWISVILLE, NC 27023
434-688-0609 rllomas@rlomaspe.com

SIGNED: 02/09/2022

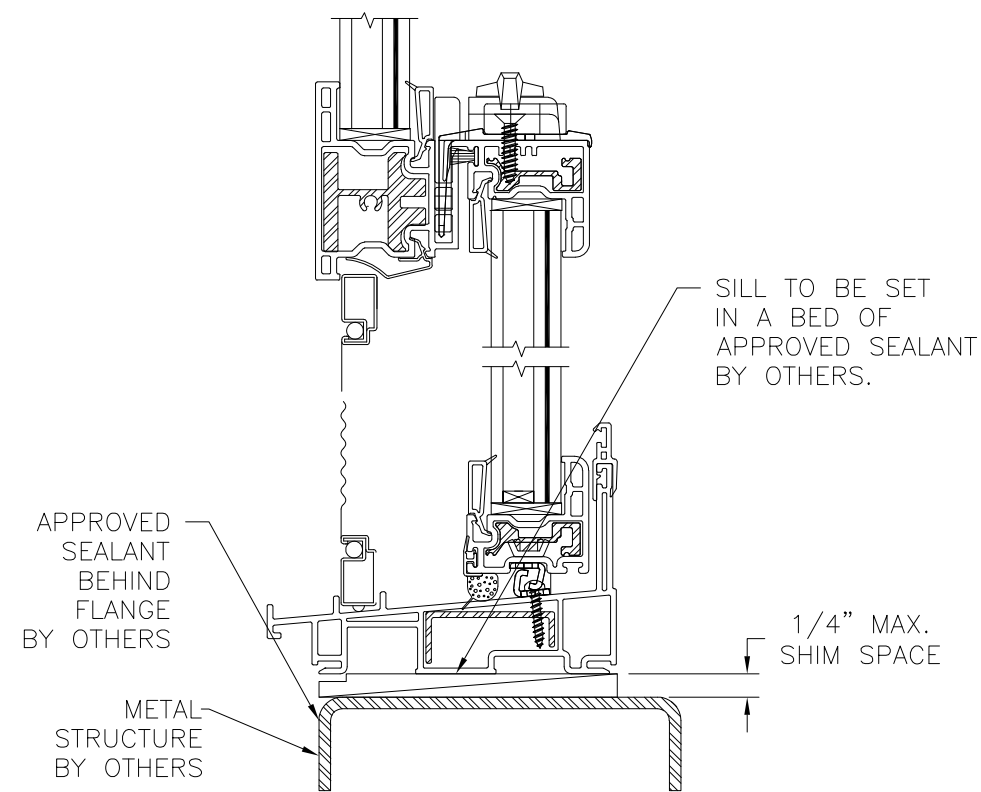


Luis R. Lomas P.E.
TX No.: 101889
Firm No: F-23130

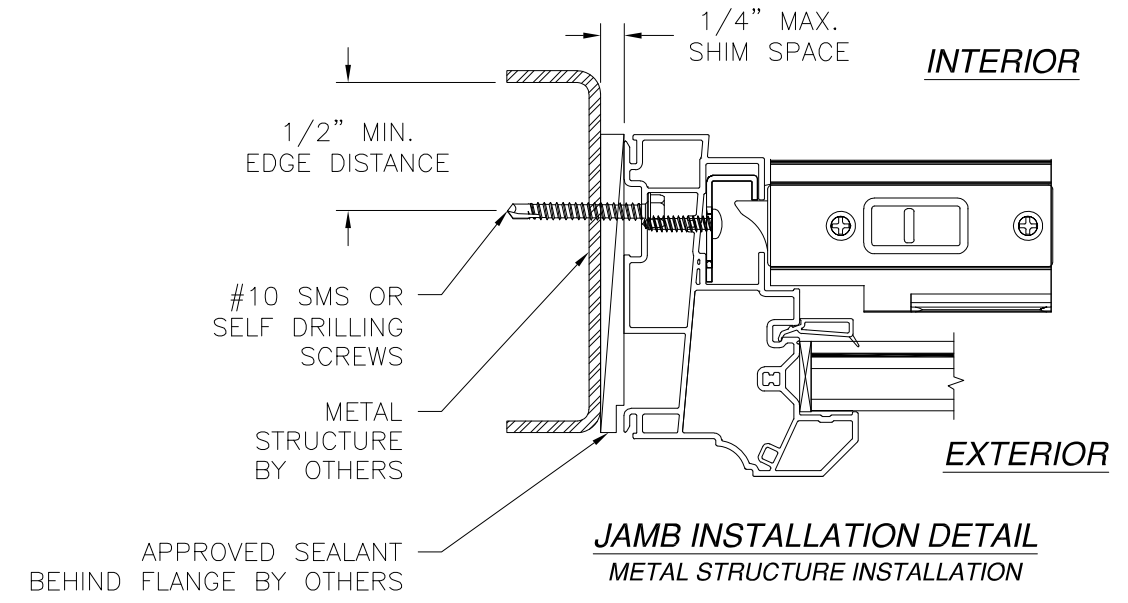
REVISIONS			
REV	DESCRIPTION	DATE	APPROVED
A	REVISED PER NEW CODE	12/14/2021	R.L.



EXTERIOR **INTERIOR**



VERTICAL CROSS SECTION
METAL STRUCTURE INSTALLATION



JAMB INSTALLATION DETAIL
METAL STRUCTURE INSTALLATION

- NOTES:**
1. INTERIOR AND EXTERIOR FINISHES, BY OTHERS, NOT SHOWN FOR CLARITY.
 2. PERIMETER AND JOINT SEALANT BY OTHERS TO BE DESIGNED IN ACCORDANCE WITH ASTM E2112

SHOWCASE CUSTOM WINDOWS & DOORS
12613 CITYPARK DRIVE, SUITE 100
MISSOURI CITY, TX 77489

142.194SH-018/143/145.095 VINYL SINGLE HUNG
NC/REP, IMPACT 44" X 84"
INSTALLATION DETAILS

DRAWN: A.R.	DWG NO. 08-03107	REV A
SCALE NTS	DATE 04/25/17	SHEET 4 OF 10

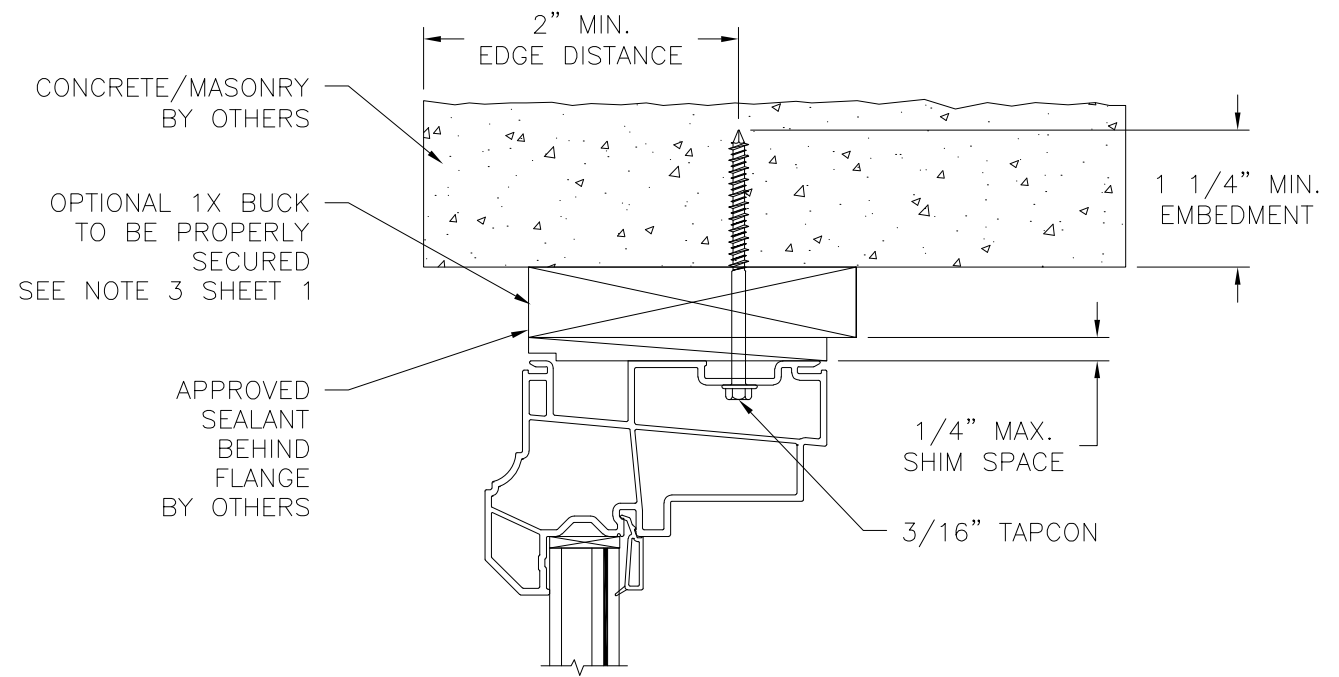
L. ROBERTO LOMAS P.E.
1432 WOODFORD RD LEWISVILLE, NC 27023
434-688-0609 rllomas@rlomaspe.com

SIGNED: 02/09/2022

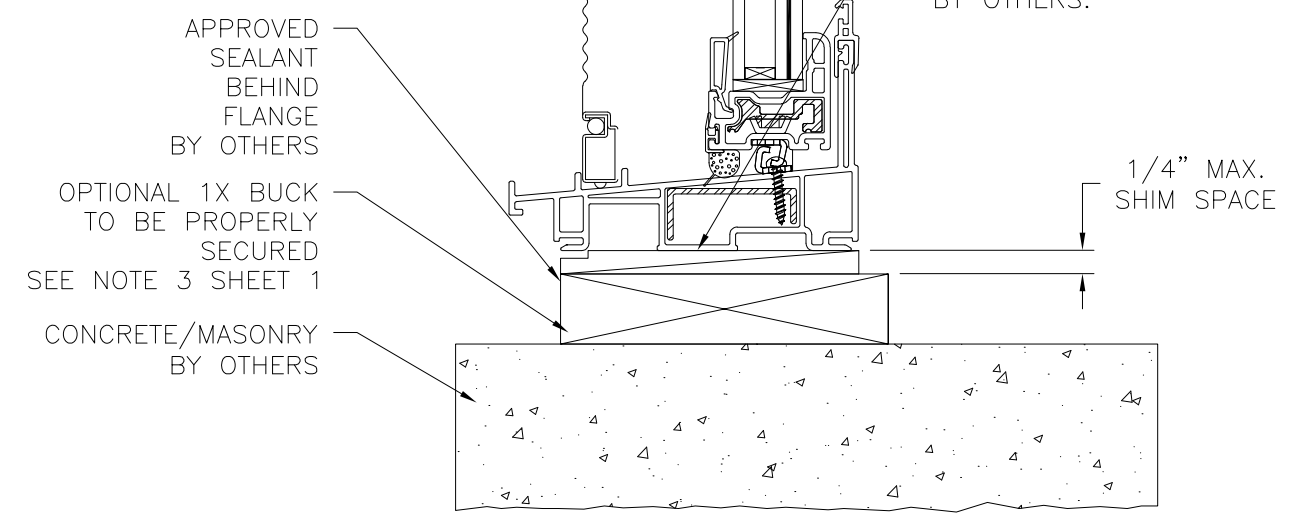


Luis R. Lomas P.E.
TX No.: 101889
Firm No: F-23130

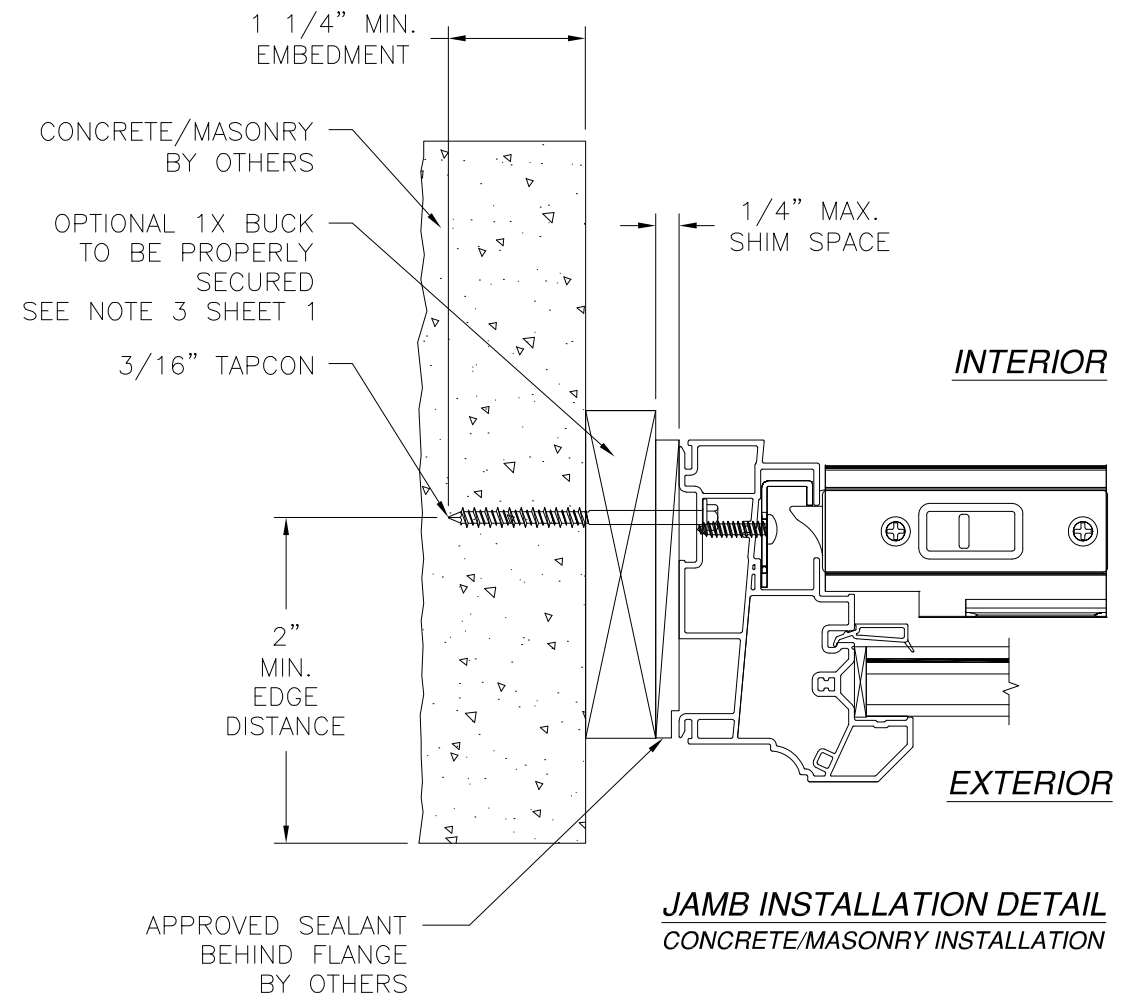
REVISIONS			
REV	DESCRIPTION	DATE	APPROVED
A	REVISED PER NEW CODE	12/14/2021	R.L.



EXTERIOR **INTERIOR**



**VERTICAL CROSS SECTION
CONCRETE/MASONRY INSTALLATION**



**JAMB INSTALLATION DETAIL
CONCRETE/MASONRY INSTALLATION**

- NOTES:**
1. INTERIOR AND EXTERIOR FINISHES, BY OTHERS, NOT SHOWN FOR CLARITY.
 2. PERIMETER AND JOINT SEALANT BY OTHERS TO BE DESIGNED IN ACCORDANCE WITH ASTM E2112

SIGNED: 02/09/2022

SHOWCASE CUSTOM WINDOWS & DOORS
 12613 CITYPARK DRIVE, SUITE 100
 MISSOURI CITY, TX 77489

142.194SH-018/143/145.095 VINYL SINGLE HUNG
 NC/REP, IMPACT 44" X 84"
 INSTALLATION DETAILS

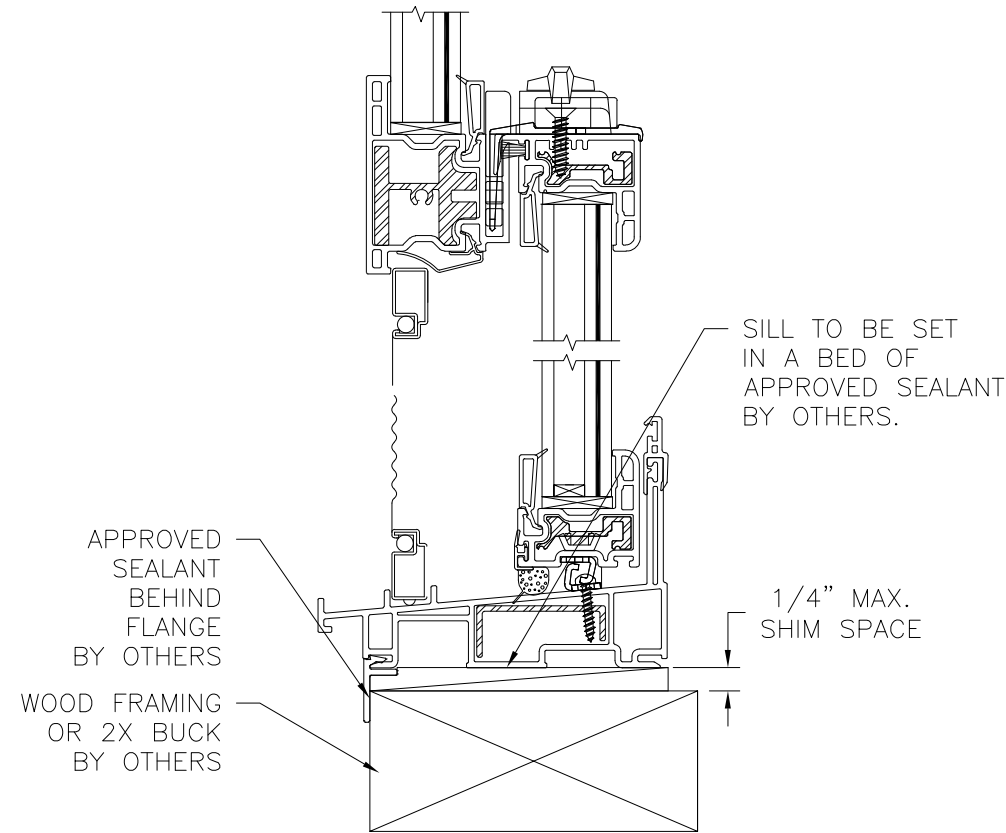
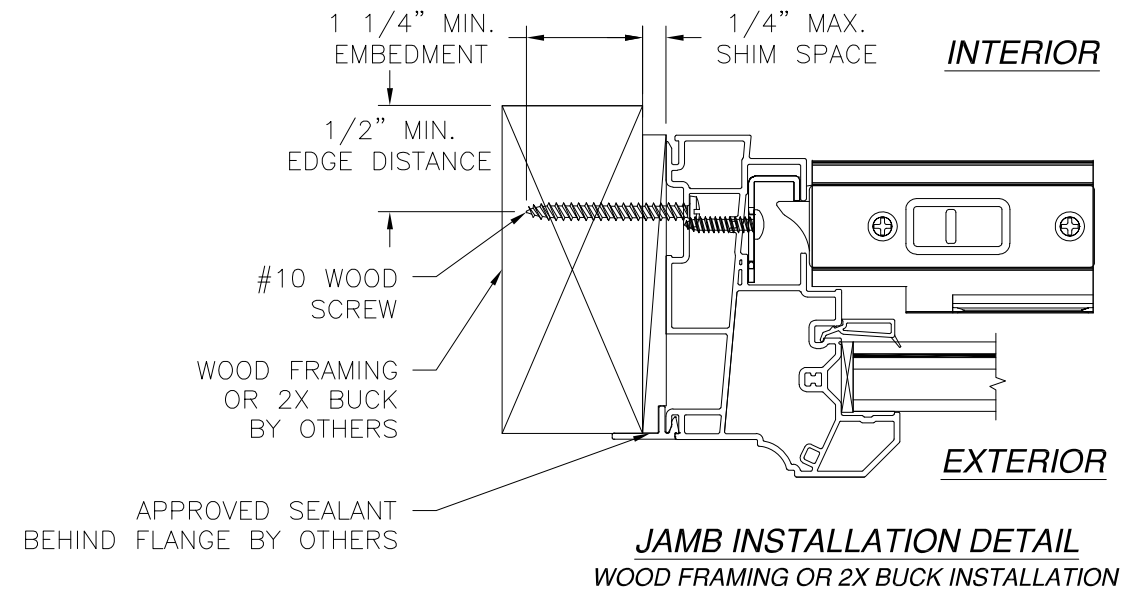
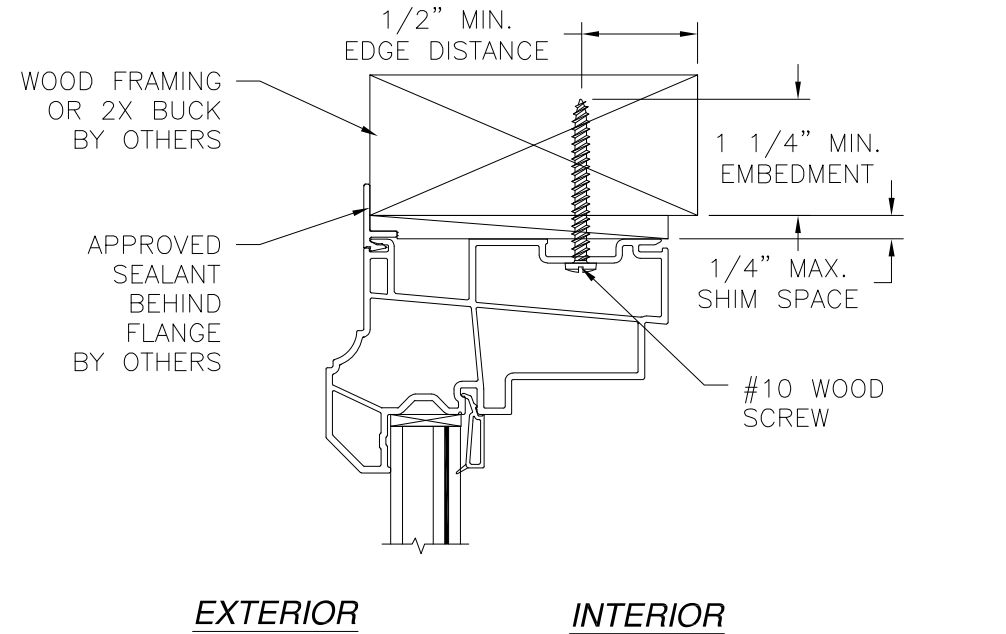
DRAWN: A.R.	DWG NO. 08-03107	REV A
SCALE NTS	DATE 04/25/17	SHEET 5 OF 10

L. ROBERTO LOMAS P.E.
 1432 WOODFORD RD LEWISVILLE, NC 27023
 434-688-0609 rllomas@rlomaspe.com



Luis R. Lomas P.E.
 TX No.: 101889
 Firm No: F-23130

REVISIONS			
REV	DESCRIPTION	DATE	APPROVED
A	REVISED PER NEW CODE	12/14/2021	R.L.



VERTICAL CROSS SECTION
WOOD FRAMING OR 2X BUCK INSTALLATION

- NOTES:**
1. INTERIOR AND EXTERIOR FINISHES, BY OTHERS, NOT SHOWN FOR CLARITY.
 2. PERIMETER AND JOINT SEALANT BY OTHERS TO BE DESIGNED IN ACCORDANCE WITH ASTM E2112

SHOWCASE CUSTOM WINDOWS & DOORS
12613 CITYPARK DRIVE, SUITE 100
MISSOURI CITY, TX 77489

142.194SH-018/143/145.095 VINYL SINGLE HUNG
NC/REP, IMPACT 44" X 84"
INSTALLATION DETAILS

DRAWN: A.R.	DWG NO. 08-03107	REV A
SCALE NTS	DATE 04/25/17	SHEET 6 OF 10

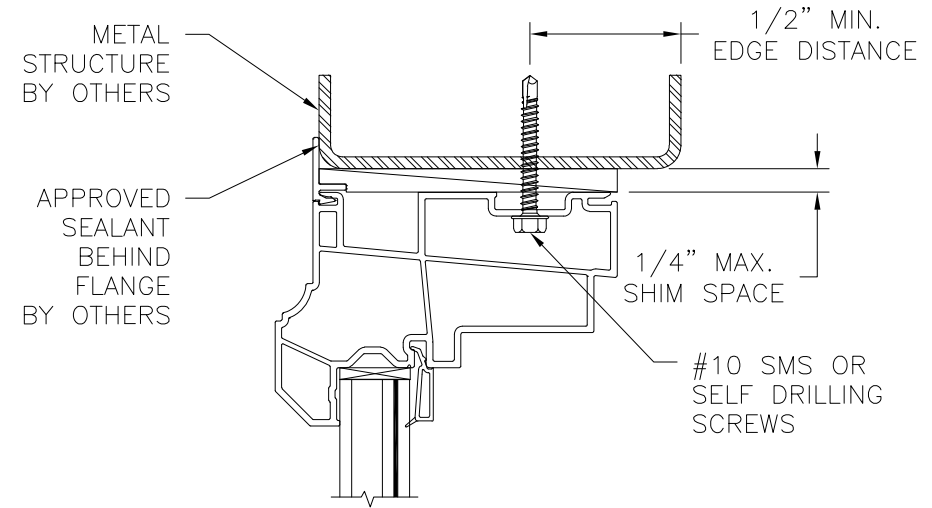
L. ROBERTO LOMAS P.E.
1432 WOODFORD RD LEWISVILLE, NC 27023
434-688-0609 rllomas@rlomaspe.com

SIGNED: 02/09/2022

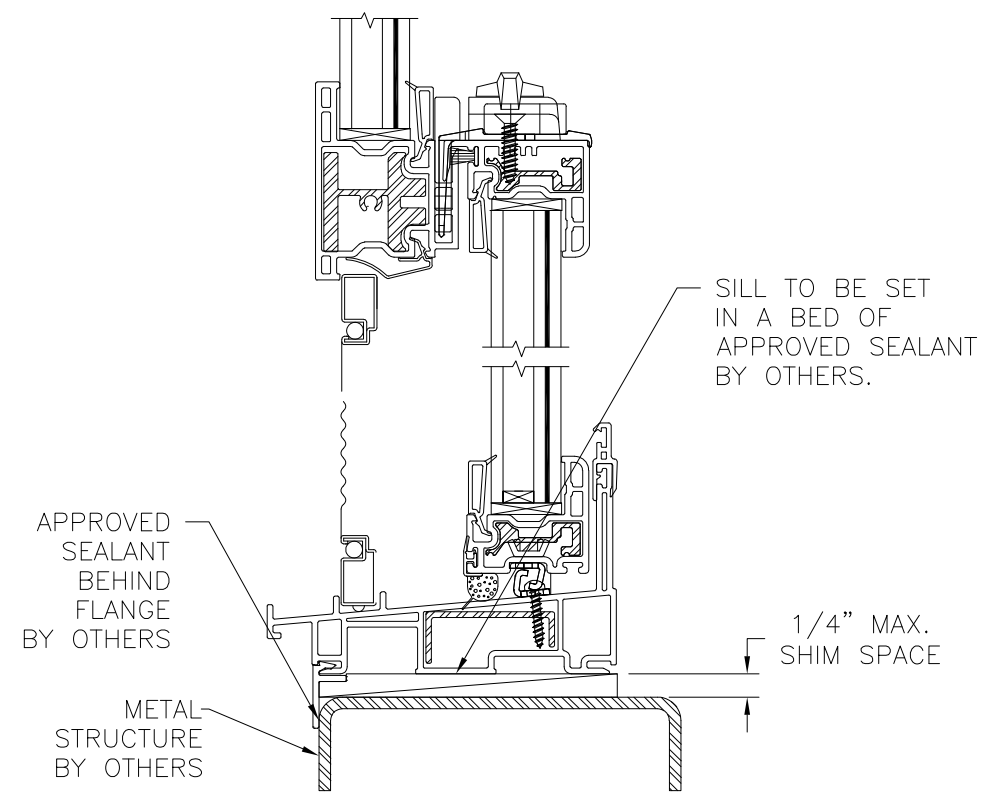


Luis R. Lomas P.E.
TX No.: 101889
Firm No: F-23130

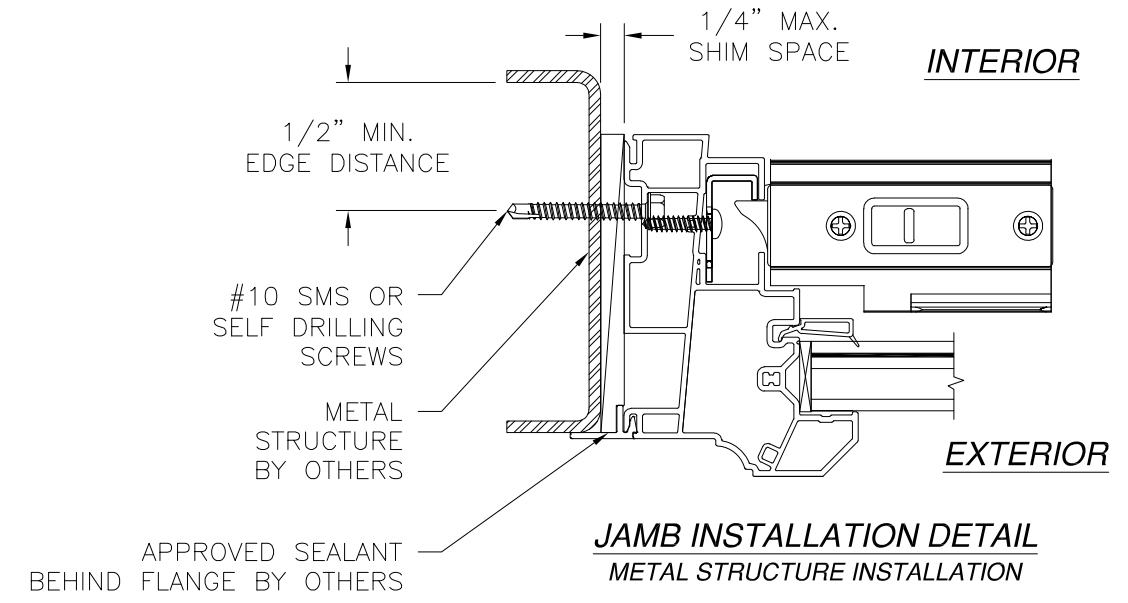
REVISIONS			
REV	DESCRIPTION	DATE	APPROVED
A	REVISED PER NEW CODE	12/14/2021	R.L.



EXTERIOR **INTERIOR**



VERTICAL CROSS SECTION
METAL STRUCTURE INSTALLATION



JAMB INSTALLATION DETAIL
METAL STRUCTURE INSTALLATION

- NOTES:**
1. INTERIOR AND EXTERIOR FINISHES, BY OTHERS, NOT SHOWN FOR CLARITY.
 2. PERIMETER AND JOINT SEALANT BY OTHERS TO BE DESIGNED IN ACCORDANCE WITH ASTM E2112

SHOWCASE CUSTOM WINDOWS & DOORS
12613 CITYPARK DRIVE, SUITE 100
MISSOURI CITY, TX 77489

142.194SH-018/143/145.095 VINYL SINGLE HUNG
NC/REP, IMPACT 44" X 84"
INSTALLATION DETAILS

DRAWN: A.R.	DWG NO. 08-03107	REV A
SCALE NTS	DATE 04/25/17	SHEET 7 OF 10

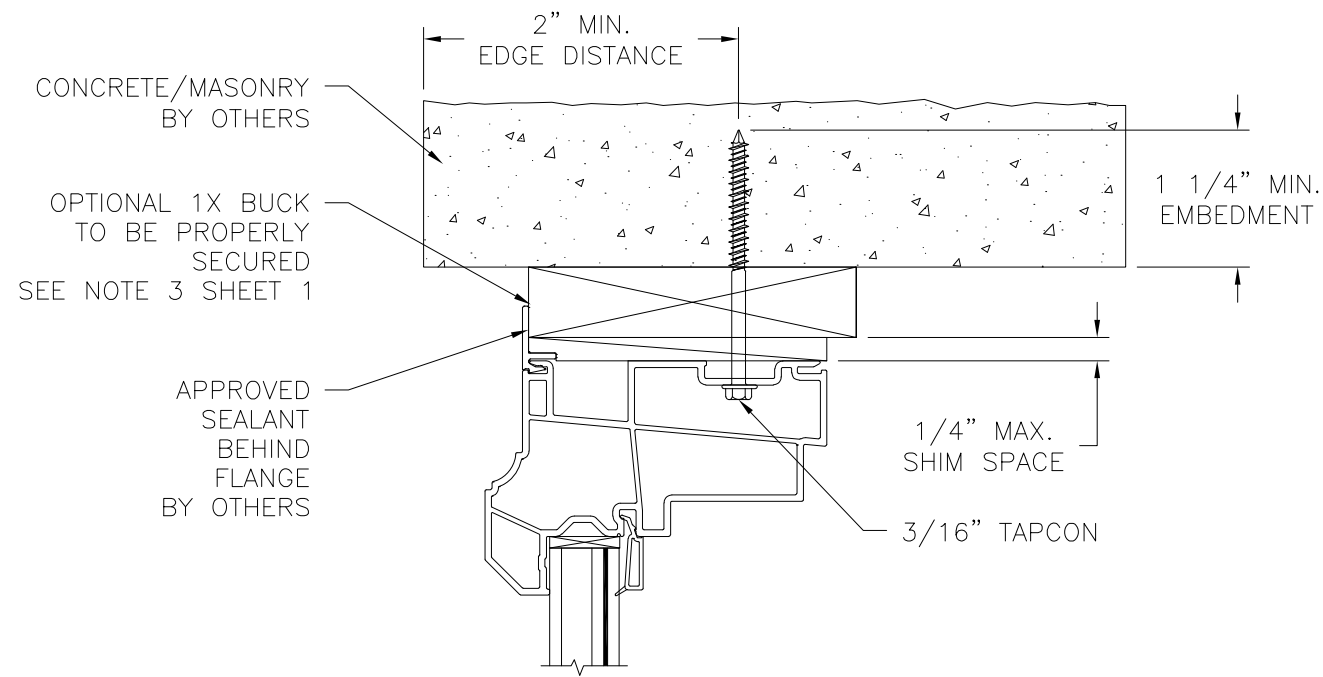
L. ROBERTO LOMAS P.E.
1432 WOODFORD RD LEWISVILLE, NC 27023
434-688-0609 rllomas@rlomaspe.com

SIGNED: 02/09/2022

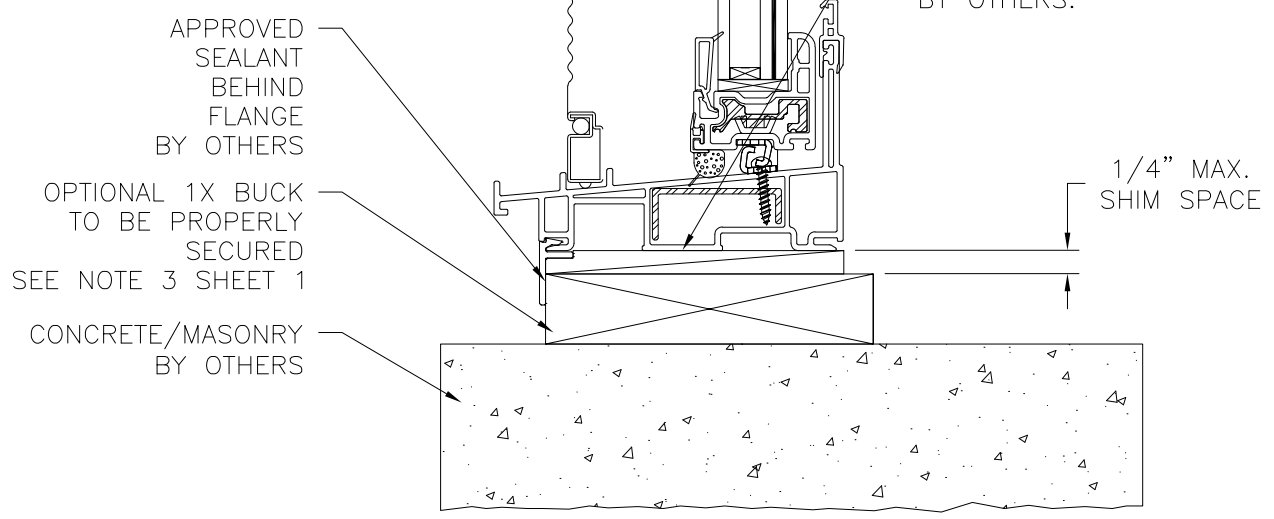


Luis R. Lomas P.E.
TX No.: 101889
Firm No: F-23130

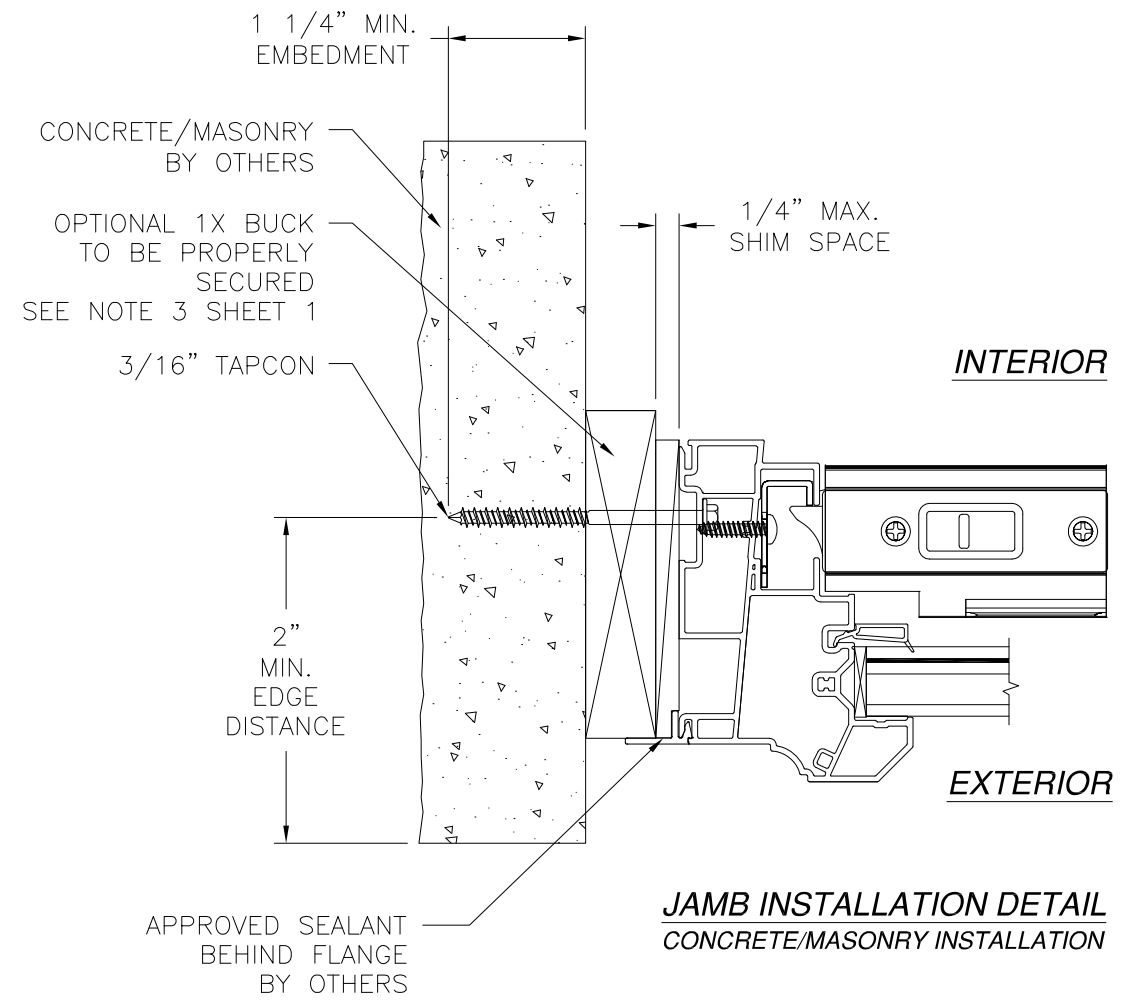
REVISIONS			
REV	DESCRIPTION	DATE	APPROVED
A	REVISED PER NEW CODE	12/14/2021	R.L.



EXTERIOR **INTERIOR**



**VERTICAL CROSS SECTION
CONCRETE/MASONRY INSTALLATION**



**JAMB INSTALLATION DETAIL
CONCRETE/MASONRY INSTALLATION**

- NOTES:**
1. INTERIOR AND EXTERIOR FINISHES, BY OTHERS, NOT SHOWN FOR CLARITY.
 2. PERIMETER AND JOINT SEALANT BY OTHERS TO BE DESIGNED IN ACCORDANCE WITH ASTM E2112

SIGNED: 02/09/2022

SHOWCASE CUSTOM WINDOWS & DOORS
 12613 CITYPARK DRIVE, SUITE 100
 MISSOURI CITY, TX 77489

142.194SH-018/143/145.095 VINYL SINGLE HUNG
 NC/REP, IMPACT 44" X 84"
 INSTALLATION DETAILS

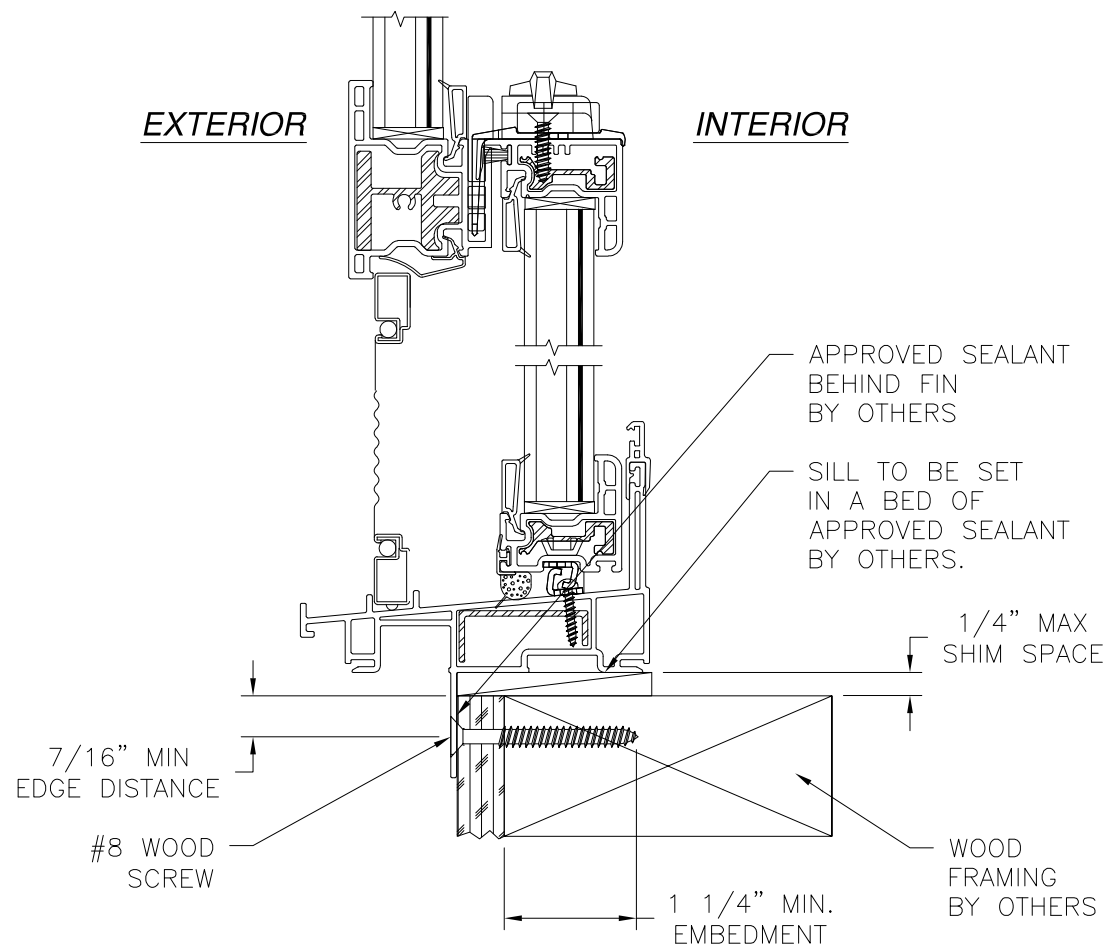
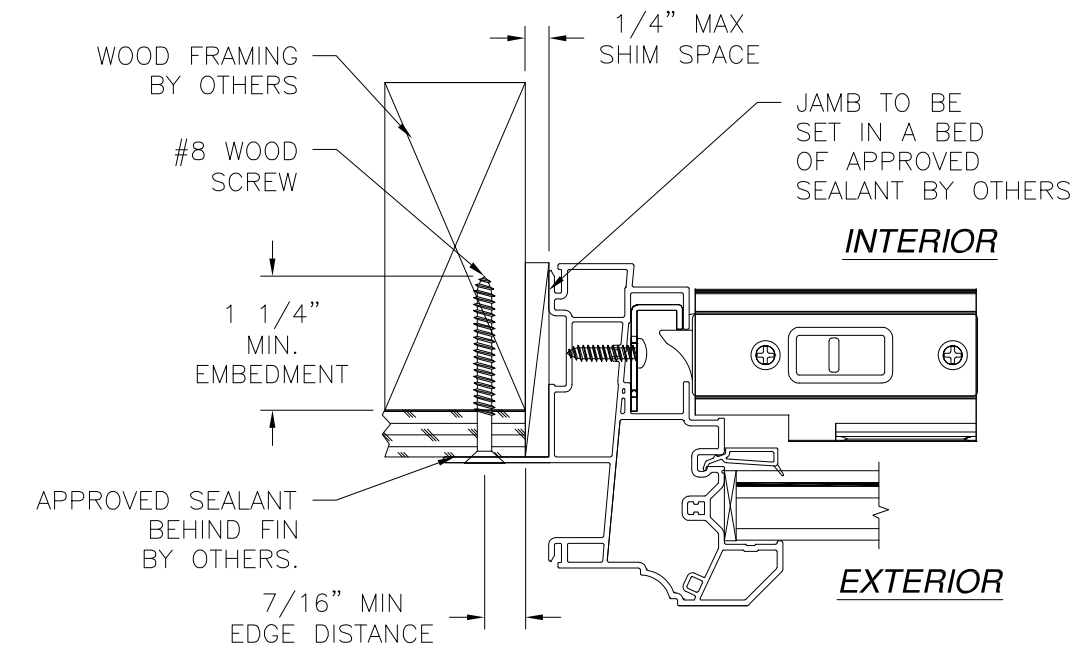
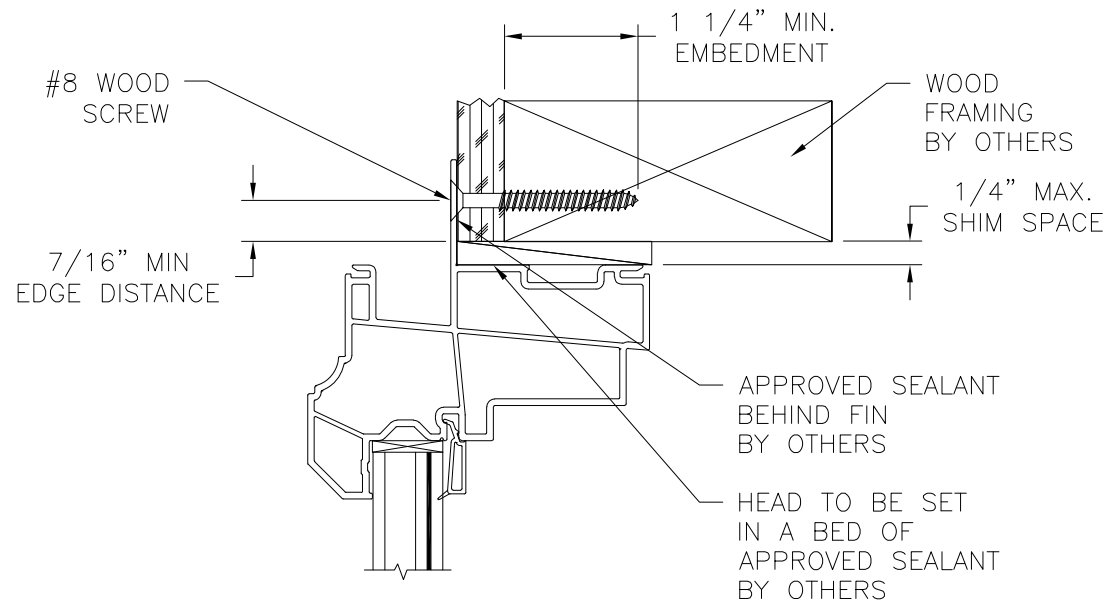
DRAWN: A.R.	DWG NO. 08-03107	REV A
SCALE NTS	DATE 04/25/17	SHEET 8 OF 10

L. ROBERTO LOMAS P.E.
 1432 WOODFORD RD LEWISVILLE, NC 27023
 434-688-0609 rllomas@rlomaspe.com



Luis R. Lomas P.E.
 TX No.: 101889
 Firm No: F-23130

REVISIONS			
REV	DESCRIPTION	DATE	APPROVED
A	REVISED PER NEW CODE	12/14/2021	R.L.



JAMB INSTALLATION DETAIL
WOOD FRAMING OR 2X BUCK INSTALLATION

VERTICAL CROSS SECTION
WOOD FRAMING OR 2X BUCK INSTALLATION

- NOTES:**
1. INTERIOR AND EXTERIOR FINISHES, BY OTHERS, NOT SHOWN FOR CLARITY.
 2. PERIMETER AND JOINT SEALANT BY OTHERS TO BE DESIGNED IN ACCORDANCE WITH ASTM E2112

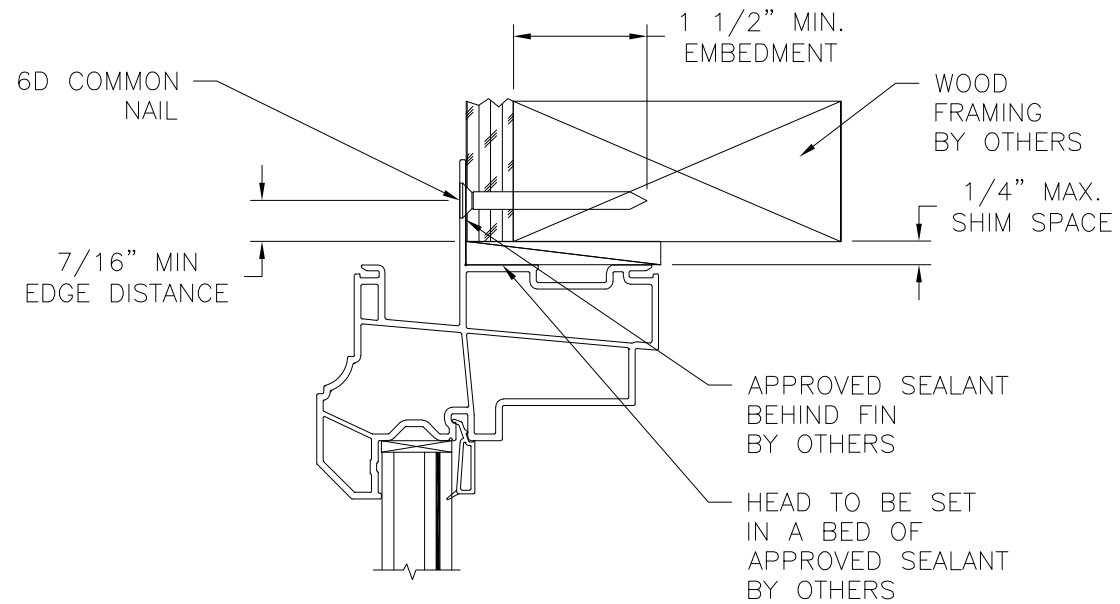
SIGNED: 02/09/2022

SHOWCASE CUSTOM WINDOWS & DOORS 12613 CITYPARK DRIVE, SUITE 100 MISSOURI CITY, TX 77489		
142.194SH-018/143/145.095 VINYL SINGLE HUNG NC/REP, IMPACT 44" X 84" INSTALLATION DETAILS		
DRAWN: A.R.	DWG NO. 08-03107	REV A
SCALE NTS	DATE 04/25/17	SHEET 9 OF 10
L. ROBERTO LOMAS P.E. 1432 WOODFORD RD LEWISVILLE, NC 27023 434-688-0609 rllomas@lrlomaspe.com		



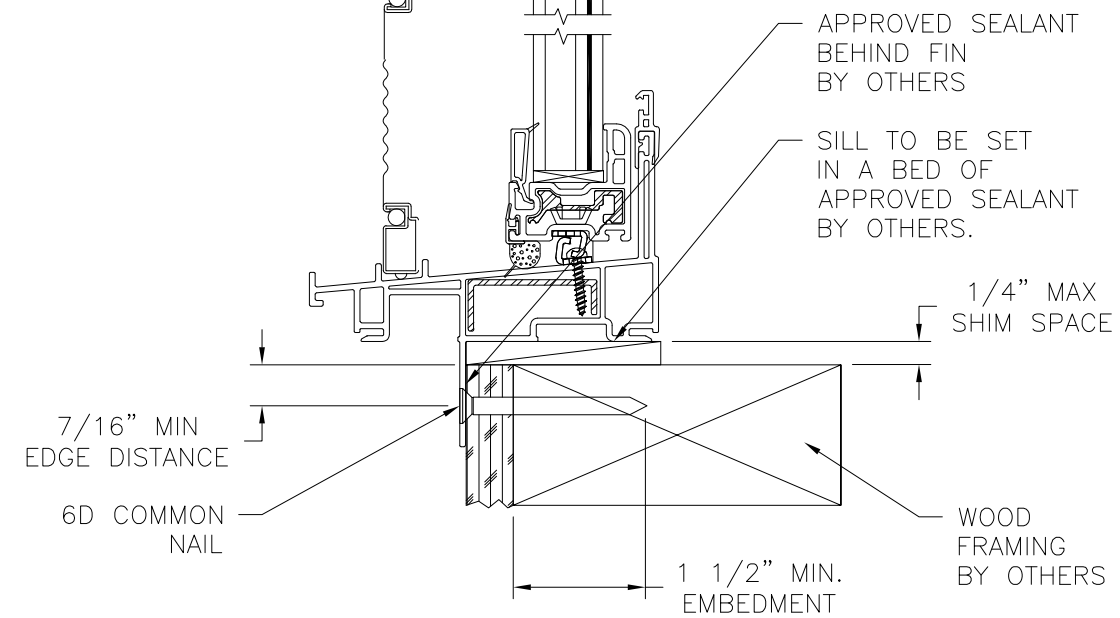
Luis R. Lomas P.E.
TX No.: 101889
Firm No: F-23130

REVISIONS			
REV	DESCRIPTION	DATE	APPROVED
A	REVISED PER NEW CODE	12/14/2021	R.L.

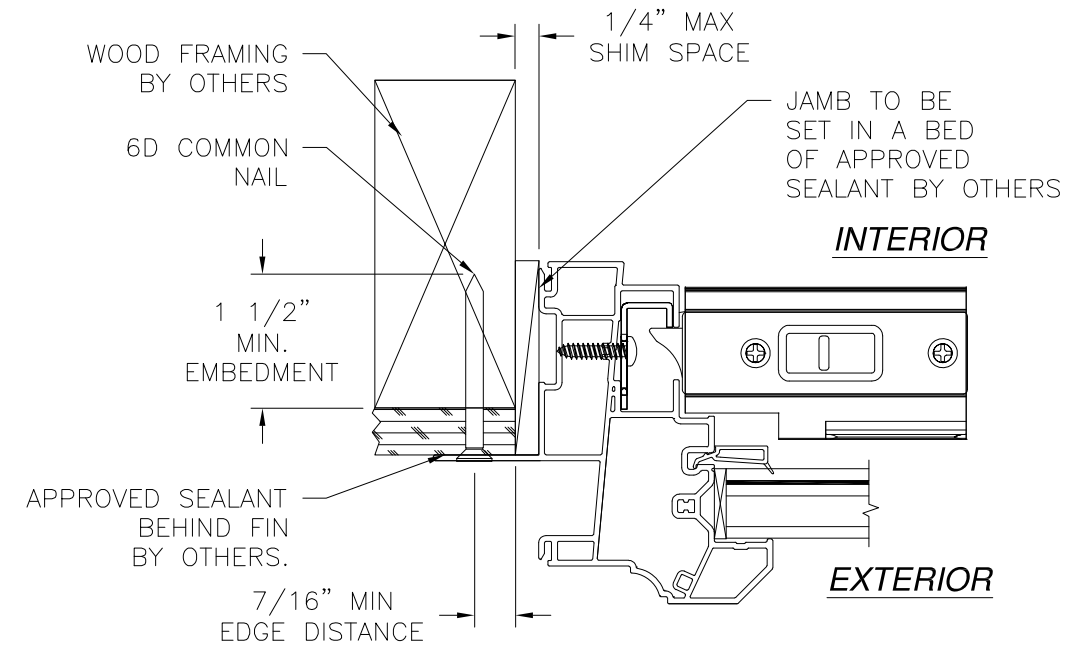


EXTERIOR

INTERIOR



VERTICAL CROSS SECTION
WOOD FRAMING OR 2X BUCK INSTALLATION



JAMB INSTALLATION DETAIL
WOOD FRAMING OR 2X BUCK INSTALLATION

NOTES:

1. INTERIOR AND EXTERIOR FINISHES, BY OTHERS, NOT SHOWN FOR CLARITY.
2. PERIMETER AND JOINT SEALANT BY OTHERS TO BE DESIGNED IN ACCORDANCE WITH ASTM E2112

SIGNED: 02/09/2022

SHOWCASE CUSTOM WINDOWS & DOORS
12613 CITYPARK DRIVE, SUITE 100
MISSOURI CITY, TX 77489

142.194SH-018/143/145.095 VINYL SINGLE HUNG
NC/REP, IMPACT 44" X 84"
INSTALLATION DETAILS



DRAWN: A.R.	DWG NO. 08-03107	REV A
SCALE NTS	DATE 04/25/17	SHEET 10 OF 10
L. ROBERTO LOMAS P.E. 1432 WOODFORD RD LEWISVILLE, NC 27023 434-688-0609 rllomas@lrlomaspe.com		

Luis R. Lomas P.E.
TX No.: 101889
Firm No: F-23130