

WINCORE™

WINDOWS & DOORS

250 Staunton Turnpike, Parkersburg, WV 26104

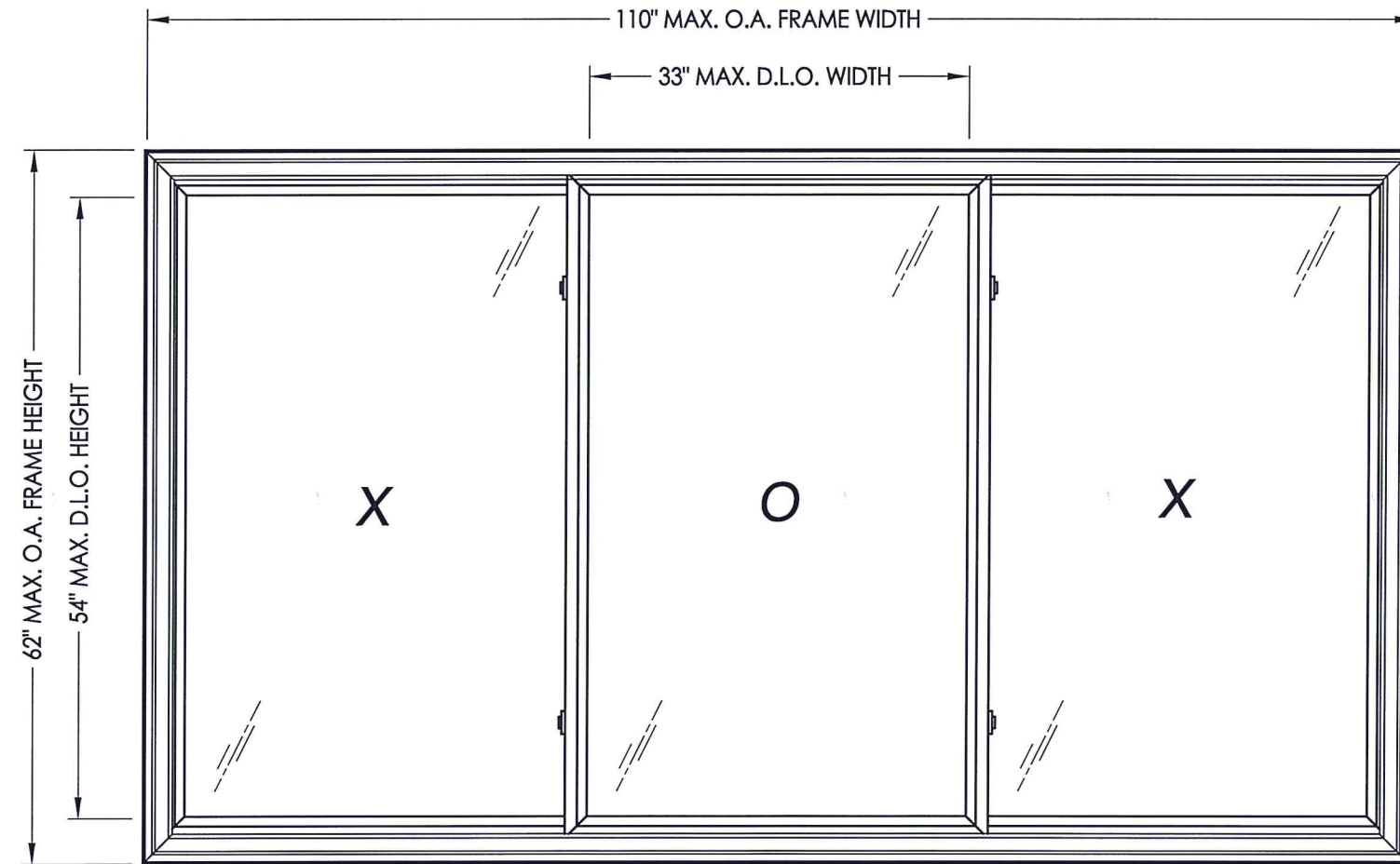


Documents Prepared By: Lyndon F. Schmidt, P.E.
TEXAS P.E. #104123

RW BUILDING CONSULTANTS, INC.
P.O. Box 230 Valrico FL 33595
Phone No.: 813.659.9197

TEXAS BOARD OF PROFESSIONAL ENGINEERS
CERTIFICATE OF REGISTRATION # F-11852

8400 Series Vinyl Horizontal Sliding Window "NON-IMPACT"



EVALUATED FOR USE IN THE STATE OF TEXAS

TDI WIN-1828

The Wincore Horizontal Sliding Window described herein complies with the 2018 International Residential Code (IRC), Sections R301 & R609 and the 2018 International Building Code (IBC), Sections 1404.13, 1609, 1709.5, 2403 and 2404 subject to the following conditions:

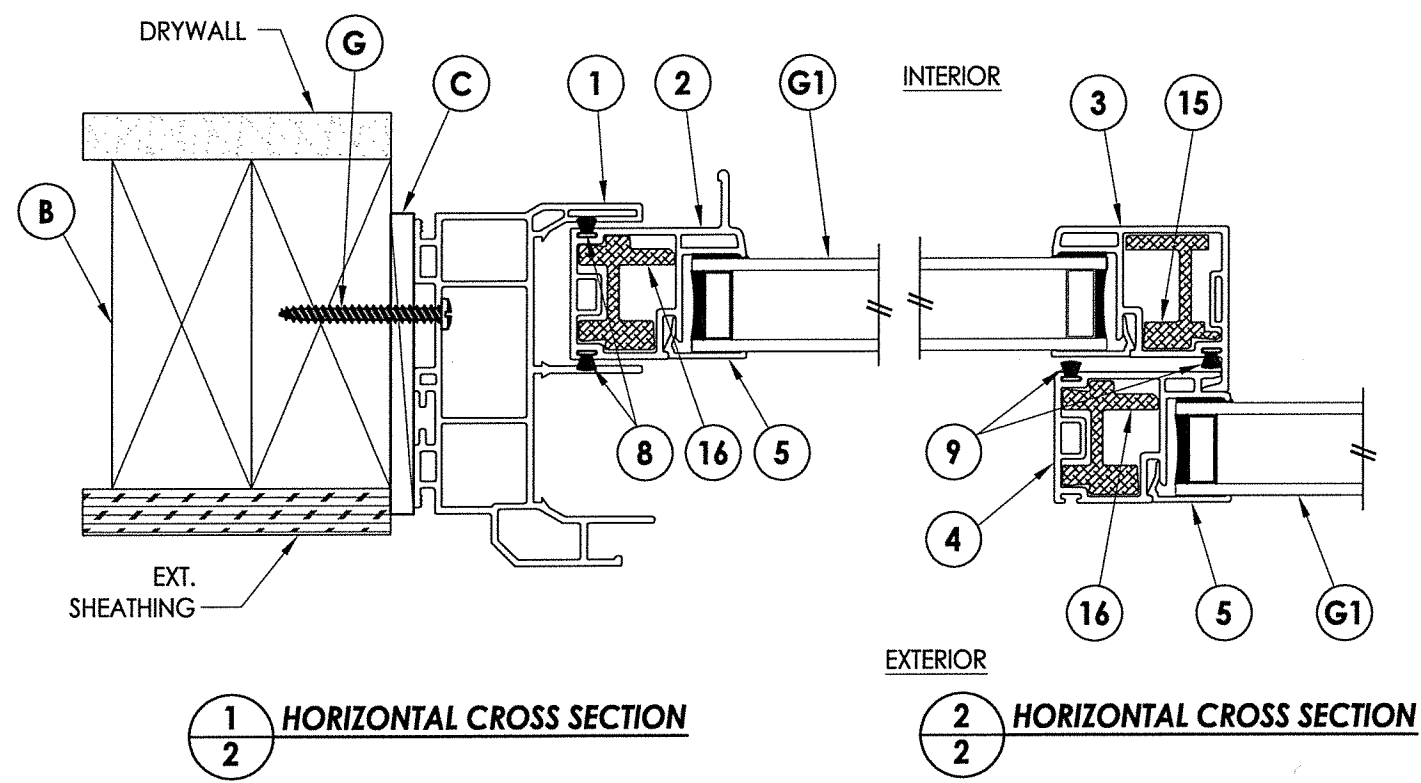
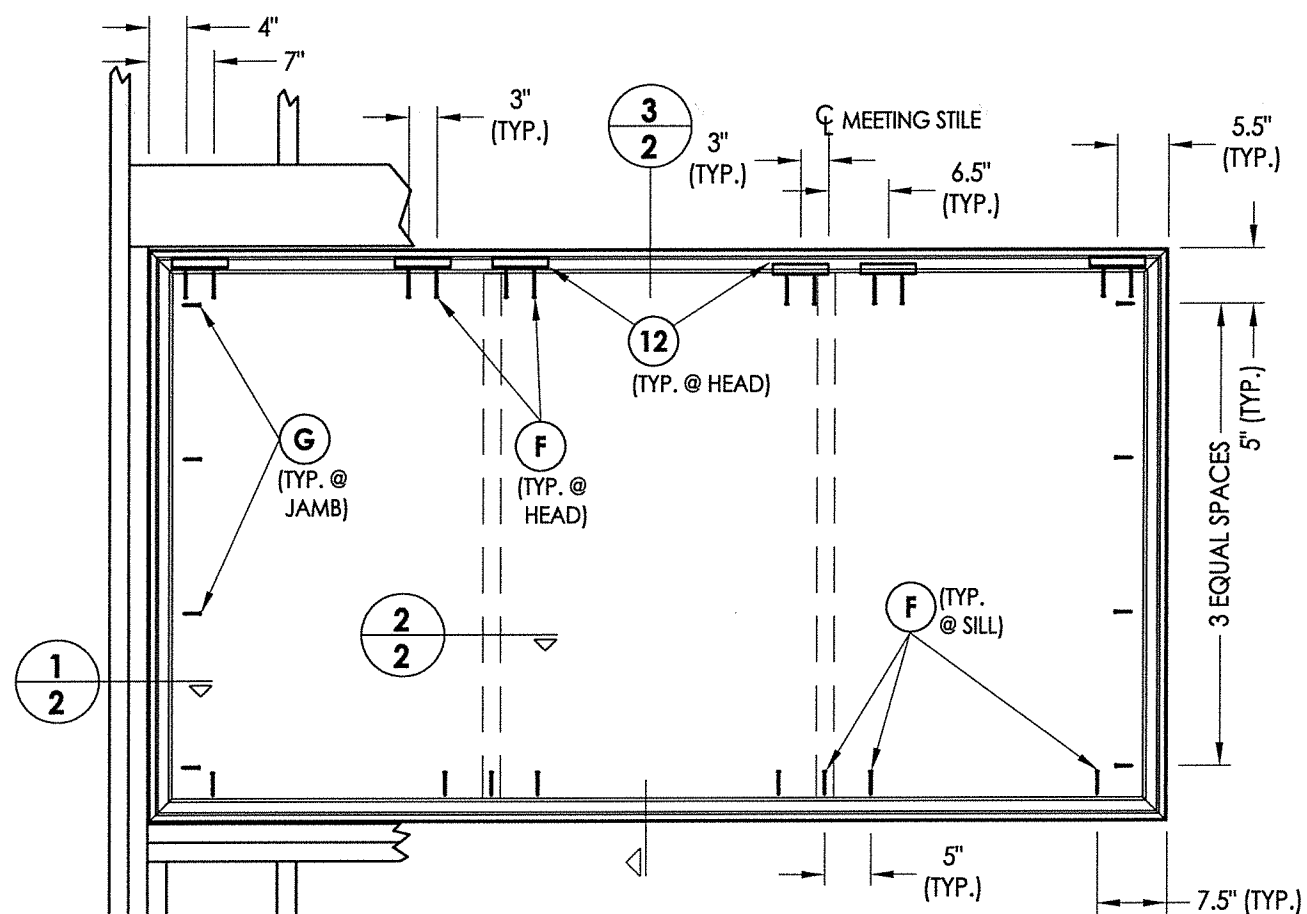
1. Anchors shall be as listed and spaced as shown in the details. Anchor embedment to base material shall be beyond wall dressing or stucco.
2. When used in areas requiring wind-borne debris protection this product is required to be protected with an impact resistant covering that complies with Section R301.2.1.2 of the IRC and Section 1609.1.2 of the IBC.
3. Allowable design pressure requirements must be equal to or less than the design pressure rating shown in the design pressure chart, sheet 1 of this drawing.
4. Conditions not covered by this drawing are subject to further engineering analysis.

TABLE OF CONTENTS

SHEET#	DESCRIPTION
1	Typical elevations, design pressures and general notes
2	Horizontal and vertical cross sections
3	Components
4	Bill of materials, glazing details & components

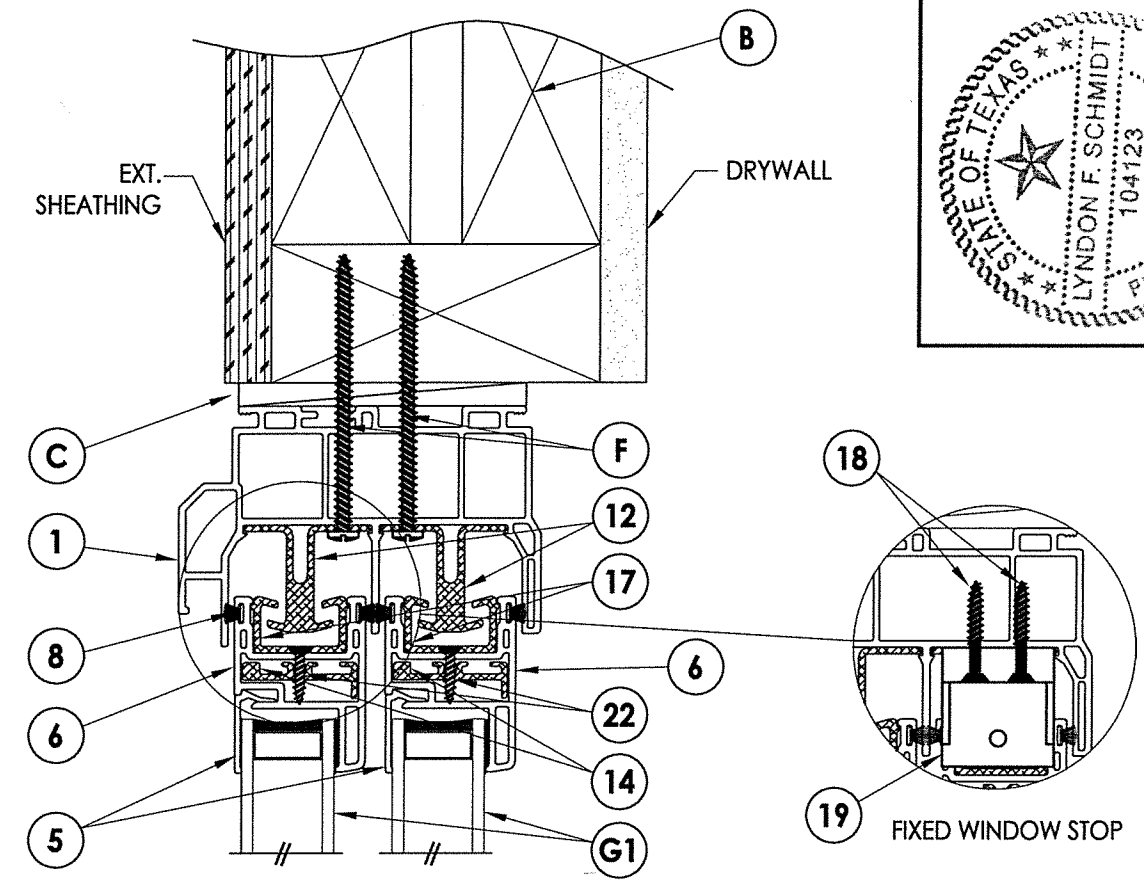
MAX. FRAME DIMENSION	MAX. D.L.O. DIMENSION	GLASS TYPE	DESIGN PRESSURE (PSF)	
			POSITIVE	NEGATIVE
110.0" X 62.0"	33.0" X 54.0"	G1	+50.0	-50.0

PRODUCT:	8400 SERIES
PART OR ASSEMBLY:	TYPICAL ELEVATION, DESIGN PRESSURES & GENERAL NOTES
NO.	1
DATE	1/21/20
UPDATE TO	2018 IBC/IRC
BY	LFS
REVISIONS	
DATE:	9/10/13
SCALE:	N.T.S.
DWG. BY:	JK
CHK. BY:	LFS
DRAWING NO.:	TX-4310
SHEET	1 OF 4



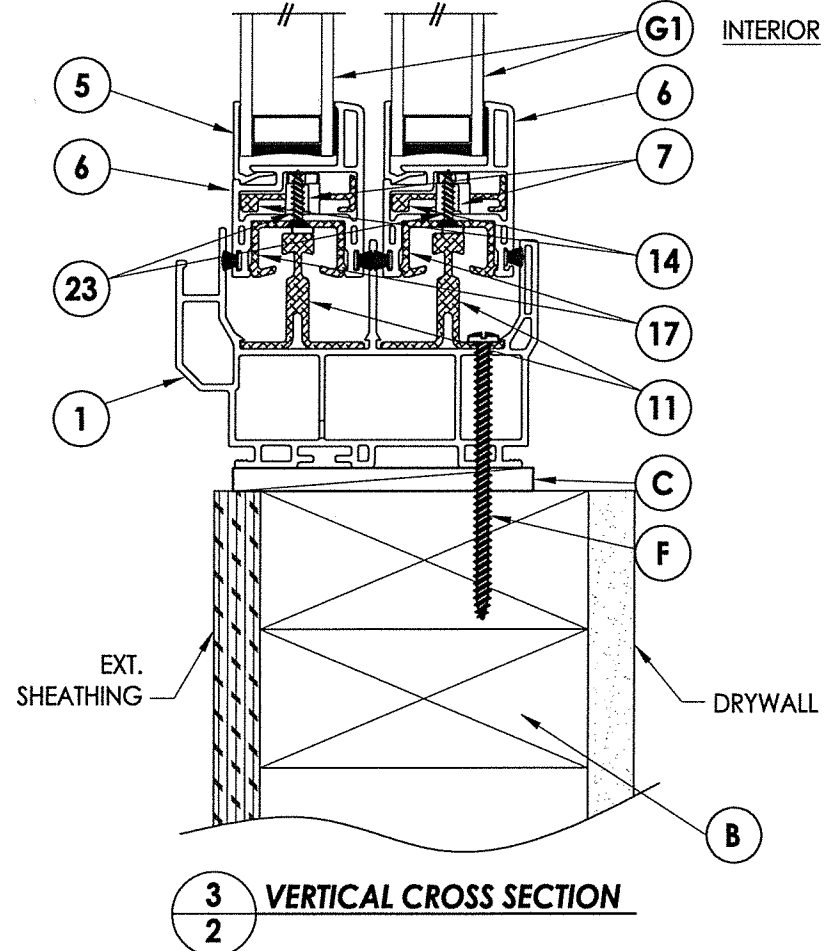
1
2 HORIZONTAL CROSS SECTION

2
2 HORIZONTAL CROSS SECTION

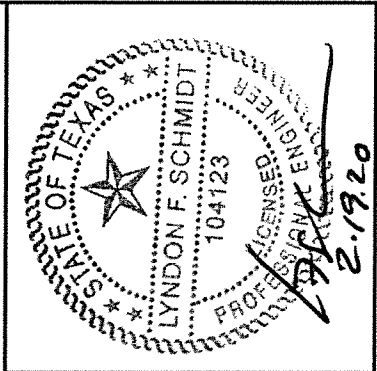


EXTERIOR

INTERIOR



3
2 VERTICAL CROSS SECTION



Documents Prepared By: Lyndon F. Schmidt, P.E.
TEXAS P.E. #104123

RW BUILDING CONSULTANTS, INC.
P.O. Box 230 Valrico FL 33595
Phone No.: 813.659.9197

TEXAS BOARD OF PROFESSIONAL ENGINEERS
CERTIFICATE OF REGISTRATION # F-11852

PRODUCT: 8400 SERIES

PART OR ASSEMBLY: HORIZONTAL & VERTICAL CROSS SECTIONS

NO.	DATE	REVISIONS
1	1/21/20	UPDATE TO 2018 IBC/IRC
		LFS
		BY

DATE: 9/10/13

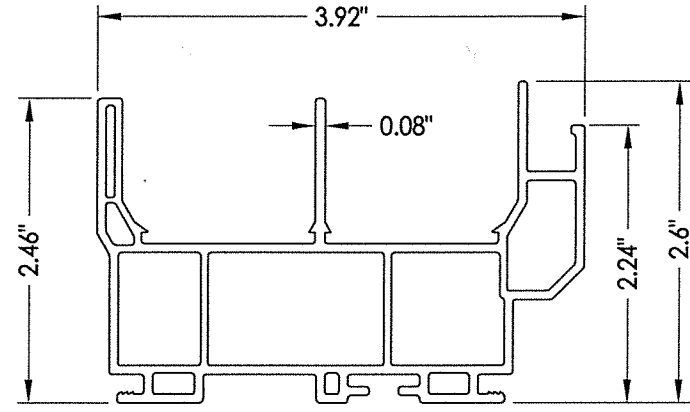
SCALE: N.T.S.

DWG. BY: JK

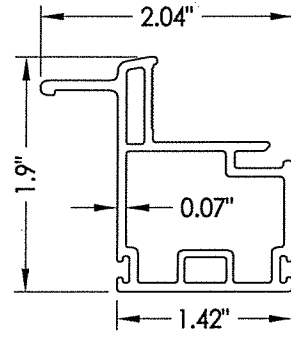
CHK. BY: LFS

DRAWING NO.: TX-4310

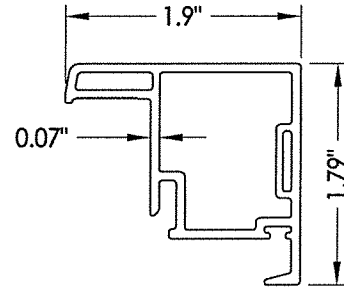
SHEET 2 OF 4



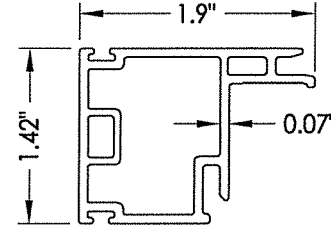
1 FRAME



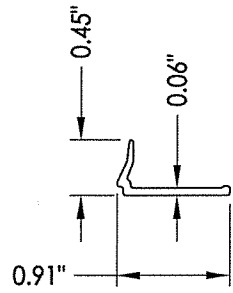
2 SLIDER PULL STILE



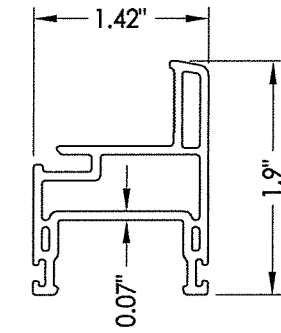
3 LOCK STILE



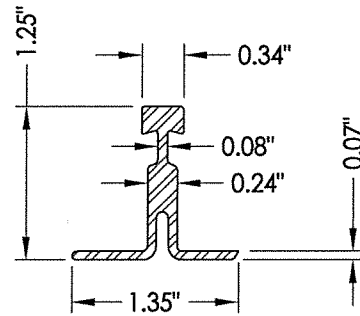
4 KEEPER STILE



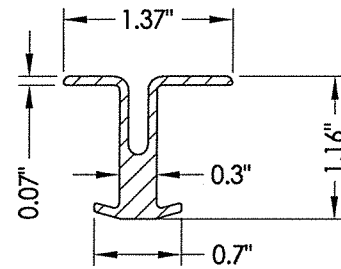
5 GLAZING BEAD



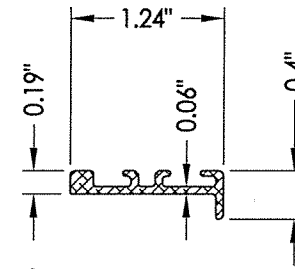
6 SLIDER COMMON RAIL



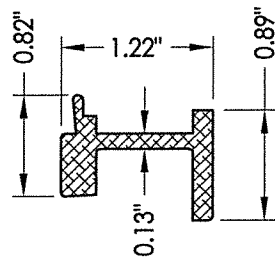
11 SILL TRACK
Full width



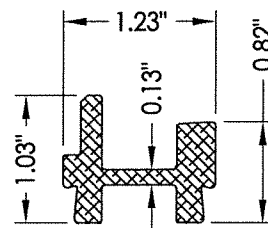
12 HEAD TRACK
6" Long



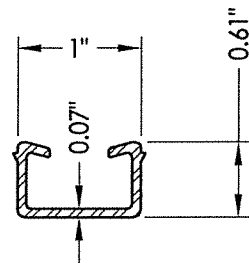
14 REINFORCEMENT
Common Rail



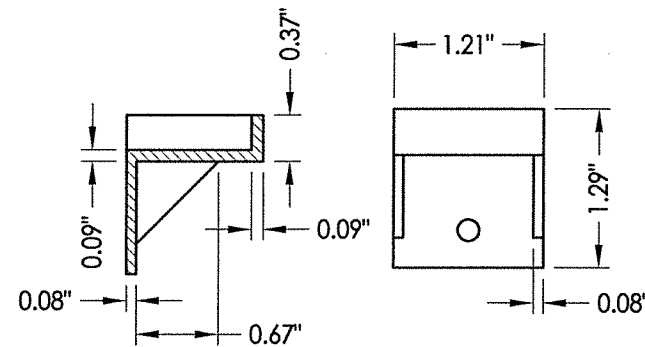
15 REINFORCEMENT
Lock Stile



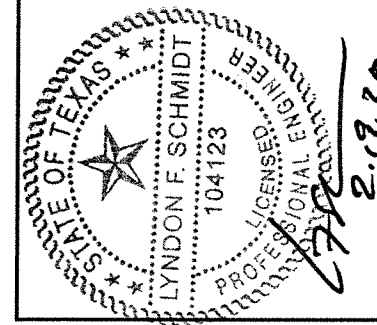
16 REINFORCEMENT
Keeper and Pull Stile



17 SLIDER SASH RETAINING CLIP



19 FLANKER STOP



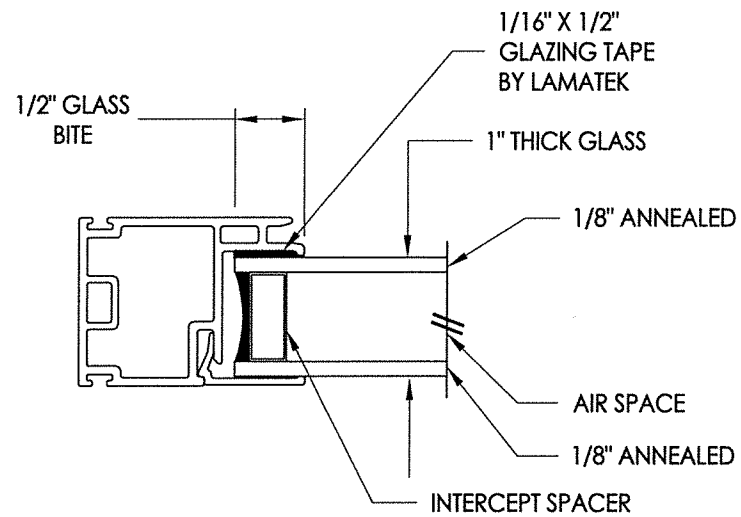
Documents Prepared By: Lyndon F. Schmidt, P.E.
TEXAS P.E. #104123

RW BUILDING CONSULTANTS, INC.
P.O. Box 230 Valrico FL 33595
Phone No.: 813.659.9197
TEXAS BOARD OF PROFESSIONAL ENGINEERS
CERTIFICATE OF REGISTRATION # F-11852

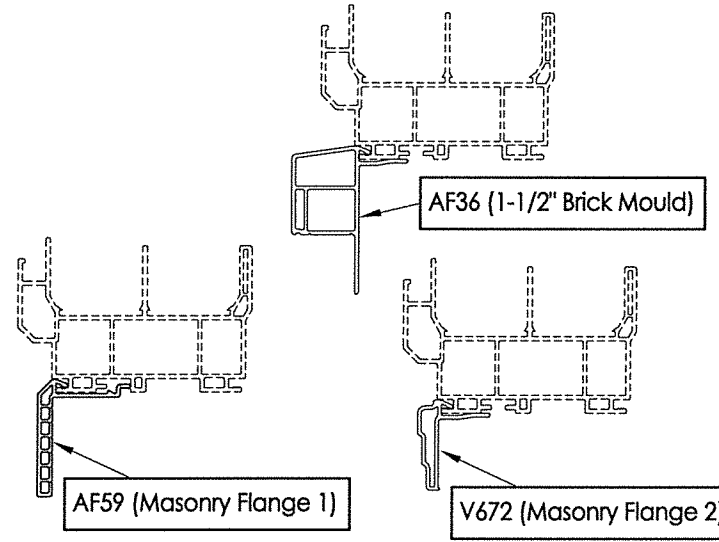
PRODUCT:	8400 SERIES	
PART OR ASSEMBLY:	COMPONENTS	
NO.	DATE	BY
1	1/21/20	LFS
UPDATE TO 2018 IBC/IRC		
REVISIONS		
DATE:	9/10/13	
SCALE:	N.T.S.	
DWG. BY:	JK	
CHK. BY:	LFS	
DRAWING NO.:	TX-4310	
SHEET	3	OF 4

BILL OF MATERIALS		
ITEM #	DESCRIPTION	MATERIAL
B	2X FRAMING SG >= 0.42	WOOD
C	1/4" MAX. SHIM SPACE	-
F	#10 X 3" PPH WOOD SCREW (MIN. EMB. = 1-5/16")	STEEL
G	#10 X 1-3/4" PPH WOOD SCREW (MIN. EMB. = 1-3/16")	STEEL
1	FRAME*	PVC
2	SLIDER PULL STILE*	PVC
3	LOCK STILE*	PVC
4	KEEPER STILE*	PVC
5	GLAZING BEAD*	PVC
6	SLIDER COMMON RAIL*	PVC
7	BALL BEARING ROLLER	-
8	WEATHERSTRIP (0.230")	-
9	WEATHERSTRIP (0.380")	-
11	SILL TRACK	ALUM
12	HEAD TRACK	ALUM
14	SLIDE RAIL REINFORCEMENT	ALUM
15	REINFORCEMENT	ALUM
16	REINFORCEMENT	ALUM
17	SLIDER SASH RETAINING CLIP	ALUM
18	#8 X 1" PFH SMS	STEEL
19	FLANKER STOP	NYLON
22	#8 X 5/8" PFH SMS	STEEL
23	#7 X 5/8" PFH SMS	STEEL

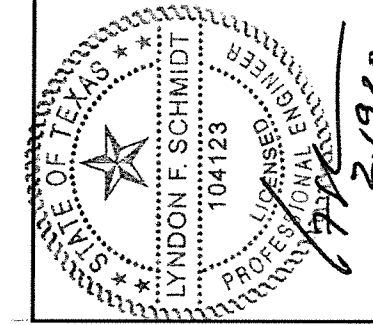
* THE APPROVED WHITE RIGID PVC EXTERIOR EXTRUSIONS FOR WINDOWS ARE TO BE PRODUCED BY EXTRUDERS LICENSEES IN "AAMA CERTIFICATION PROGRAMS FOR RIGID PVC EXTRUSIONS".



G1 GLAZING DETAIL



OPTIONAL COSMETIC FLANGES



Documents Prepared By: Lyndon F. Schmidt, P.E.
TEXAS P.E. #104123

RW BUILDING CONSULTANTS, INC.
P.O. Box 230 Valrico FL 33595
Phone No.: 813.659.9197

TEXAS BOARD OF PROFESSIONAL ENGINEERS
CERTIFICATE OF REGISTRATION # F-11852

PRODUCT:	8400 SERIES	
PART OR ASSEMBLY:	COMPONENTS	
NO.	DATE	BY
1	1/21/20	LFS
UPDATE TO 2018 IBC/IRC		
REVISIONS		
DATE:	9/10/13	
SCALE:	N.T.S.	
DWG. BY:	JK	
CHK. BY:	LFS	
DRAWING NO.:	TX-4310	
SHEET	4	OF 4