

ANDERSEN CORPORATION

DOUBLE HUNG TRANSOMS - IMPACT

(CTN & TWT UNITS)



100 FOURTH AVE NORTH
BAYPORT, MN 55003-1096
PH: (651) 264-5150 FX: (651) 264-5485

INSTALLATION NOTES:

- ONE (1) INSTALLATION ANCHOR CLIP IS REQUIRED AT EACH ANCHOR LOCATION SHOWN, UNLESS OTHERWISE STATED.
- THE NUMBER OF INSTALLATION ANCHORS DEPICTED IS THE MINIMUM NUMBER OF ANCHORS TO BE USED FOR PRODUCT INSTALLATION.
- INSTALL INDIVIDUAL INSTALLATION ANCHORS WITHIN A TOLERANCE OF ±1/2 INCH OF THE DEPICTED LOCATION IN THE ANCHOR LAYOUT DETAIL (I.E., WITHOUT CONSIDERATION OF TOLERANCES). TOLERANCES ARE NOT CUMULATIVE FROM ONE INSTALLATION ANCHOR TO THE NEXT.
- FOR INSTALLATION THROUGH 1X BUCK TO CONCRETE/MASONRY, OR DIRECTLY INTO CONCRETE/MASONRY, USE ONE (1) 3/16 INCH ITW TAPCON PER INSTALLATION CLIP OF SUFFICIENT LENGTH TO ACHIEVE 1 1/4 INCH MINIMUM EMBEDMENT.
- FOR INSTALLATION INTO 2X BUCK USE TWO (2) #8 WOOD SCREWS OR ONE (1) #10 WOOD SCREW PER INSTALLATION CLIP OF SUFFICIENT LENGTH TO ACHIEVE 1 1/2 INCH MINIMUM EMBEDMENT INTO WOOD SUBSTRATE.
- FOR INSTALLATION THROUGH METAL STUD USE TWO (2) #8 SELF-TAPPING SCREWS PER INSTALLATION CLIP OF SUFFICIENT LENGTH TO ACHIEVE 3 THREADS MINIMUM PENETRATION BEYOND METAL FRAME SUBSTRATE.
- MINIMUM EMBEDMENT AND EDGE DISTANCE EXCLUDE WALL FINISHES, INCLUDING BUT NOT LIMITED TO STUCCO, FOAM, BRICK VENEER, AND SIDING.
- INSTALLATION ANCHORS AND ASSOCIATED HARDWARE MUST BE MADE OF CORROSION RESISTANT MATERIAL OR HAVE A CORROSION RESISTANT COATING.
- FOR HOLLOW BLOCK AND GROUT FILLED BLOCK, DO NOT INSTALL INSTALLATION ANCHORS INTO MORTAR JOINTS. EDGE DISTANCE IS MEASURED FROM FREE EDGE OF BLOCK OR EDGE OF MORTAR JOINT INTO FACE SHELL OF BLOCK.
- INSTALLATION ANCHORS SHALL BE INSTALLED IN ACCORDANCE WITH ANCHOR MANUFACTURER'S INSTALLATION INSTRUCTIONS, AND ANCHORS SHALL NOT BE USED IN SUBSTRATES WITH STRENGTHS LESS THAN THE MINIMUM STRENGTH SPECIFIED BY THE ANCHOR MANUFACTURER.
- INSTALLATION ANCHOR CAPACITIES FOR PRODUCTS HEREIN ARE BASED ON SUBSTRATE MATERIALS WITH THE FOLLOWING PROPERTIES:
 - WOOD - MINIMUM SPECIFIC GRAVITY OF 0.42.
 - CONCRETE - MINIMUM COMPRESSIVE STRENGTH OF 2700 PSI.
 - MASONRY - STRENGTH CONFORMANCE TO ASTM C-90.
 - STEEL - MINIMUM YIELD STRENGTH OF 33 KSI. MINIMUM WALL THICKNESS OF 33 MILS (20 GAUGE).
 - ALUMINUM - MINIMUM WALL THICKNESS OF 3/8". ALLOY SHALL BE 6063-T5 OR BETTER.

GENERAL NOTES:

- THE PRODUCT SHOWN HEREIN IS DESIGNED AND MANUFACTURED TO COMPLY WITH THE 2006 INTERNATIONAL BUILDING CODE (IBC) AND INTERNATIONAL RESIDENTIAL CODE (IRC) WITH 2006 TEXAS REVISIONS, EFFECTIVE JANUARY 1, 2008 AND HAS BEEN EVALUATED ACCORDING TO THE FOLLOWING:
 - AAMA/WDMA/CSA 101/ I.S.2/A440-05/08
 - ASTM E 1886-02/05
 - ASTM E 1996-02
- ADEQUACY OF THE EXISTING STRUCTURAL CONCRETE/MASONRY, 2X AND METAL STUD FRAMING AS A MAIN WIND FORCE RESISTING SYSTEM CAPABLE OF WITHSTANDING AND TRANSFERRING APPLIED PRODUCT LOADS TO THE FOUNDATION IS THE RESPONSIBILITY OF THE ENGINEER OR ARCHITECT OF RECORD FOR THE PROJECT OF INSTALLATION.
- 1X AND 2X BUCKS (WHEN USED) SHALL BE DESIGNED AND ANCHORED TO PROPERLY TRANSFER ALL LOADS TO THE STRUCTURE. BUCK DESIGN AND INSTALLATION IS THE RESPONSIBILITY OF THE ENGINEER OR ARCHITECT OF RECORD FOR THE PROJECT OF INSTALLATION.
- THE INSTALLATION DETAILS DESCRIBED HEREIN ARE GENERIC AND MAY NOT REFLECT ACTUAL CONDITIONS FOR A SPECIFIC SITE. IF SITE CONDITIONS CAUSE INSTALLATION TO DEVIATE FROM THE REQUIREMENTS DETAILED HEREIN, A LICENSED ENGINEER OR ARCHITECT SHALL PREPARE SITE SPECIFIC DOCUMENTS FOR USE WITH THIS DOCUMENT.
- APPROVED IMPACT PROTECTIVE SYSTEM IS NOT REQUIRED TO PROTECT THIS PRODUCT IN AREAS REQUIRING IMPACT RESISTANCE.
- WINDOW FRAME MATERIAL: FIBREX & PONDEROSA PINE OR EQUIVALENT.
- GLASS MEETS THE REQUIREMENTS OF ASTM E1300-04 GLASS CHARTS. SEE SHEET 4 FOR GLAZING DETAILS..
- DESIGNATIONS "X" AND "O" STAND FOR THE FOLLOWING:
 - X: OPERABLE PANEL
 - O: FIXED PANEL
- CUSTOM SIZES AVAILABLE UPON REQUEST. SEE DESIGN PRESSURE CHART FOR PRODUCT RATING.

TABLE OF CONTENTS		
SHEET	REVISION	SHEET DESCRIPTION
1	-	GENERAL & INSTALLATION NOTES
2	-	ELEVATION & ANCHOR LAYOUTS
3	-	VERTICAL SECTIONS
4	-	HORIZONTAL SECTIONS
5	-	GLAZING DETAILS
6	-	TWT - COMPONENTS & BILL OF MATERIALS
7	-	CTN - COMPONENTS & BILL OF MATERIALS

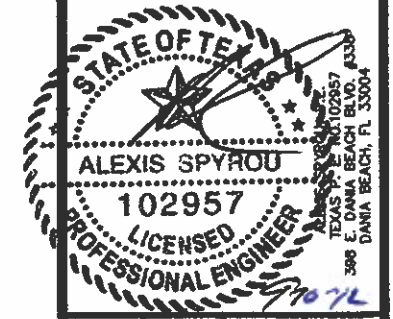
DESIGN PRESSURE RATING		
GLAZE TYPE	DESIGN PRESSURE	MISSILE IMPACT RATING
ALL	+50.0 / -65.0 PSF	SMALL AND LARGE MISSILE IMPACT RATED

TITLE: CTN & TWT TRANSOM
GENERAL AND
INSTALLATIONS NOTES

PREPARED BY:
BUILDING DROPS, INC.
398 E. DANIA BEACH BLVD. #338
DANIA BEACH, FL 33004
PH: (954) 399-8478 FX: (954) 744-4738

REVISIONS

NO.	DESCRIPTION	BY	DATE



DATE: 8.02.12
DWN BY: GRN
CHK BY: HN
SCALE: NTS

DWG #: **AWD057**
SHEET: **1 OF 7**

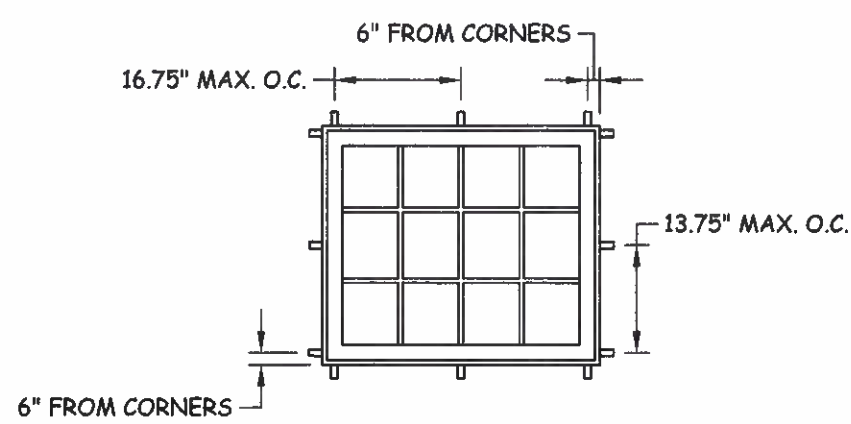
s:\projects\anderson\windows\12-0431 (tdi admin)\tdi admin\windows and doors\awd009-awd057 direct set ctn twt fm\dwgs\awd057 - 400 twt transom.dwg 9/4/2012 10:31 AM



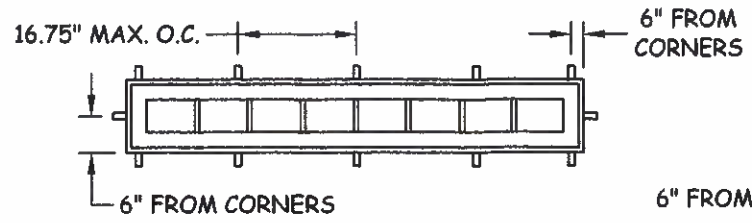
100 FOURTH AVE NORTH
 BAYPORT, MN 55003-1096
 PH: (651) 264-5150 FX: (65) 264-5485

TITLE: CTN & TWT TRANSOM
 ELEVATION AND
 ANCHOR LAYOUTS
 PREPARED BY:

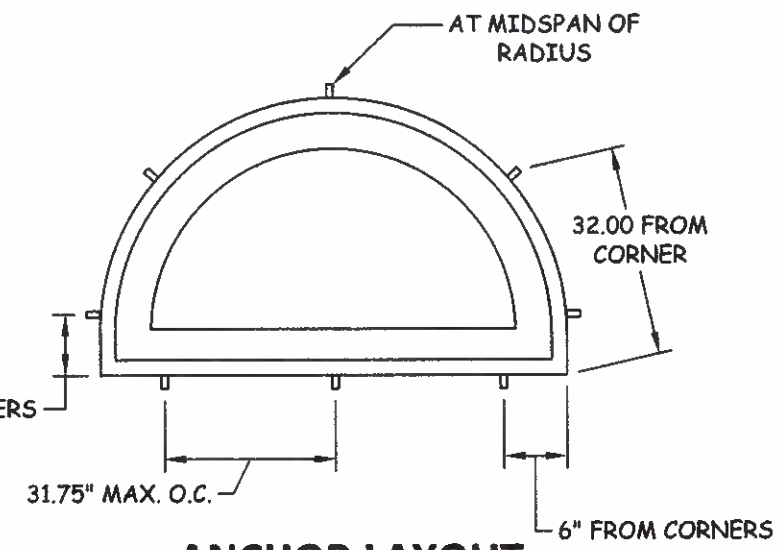
BUILDING DROPS, INC.
 398 E. DANIA BEACH BLVD. #338
 DANIA BEACH, FL 33004
 PH: (954) 399-8478 FX: (954) 744-4738



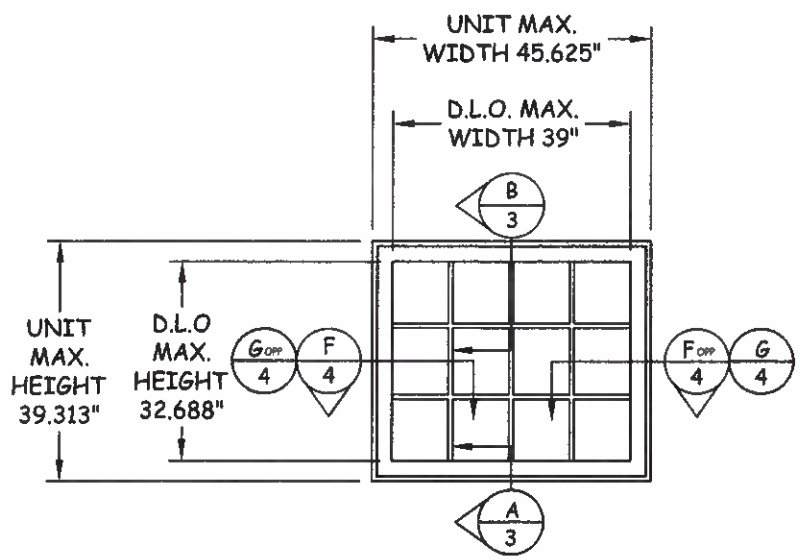
ANCHOR LAYOUT



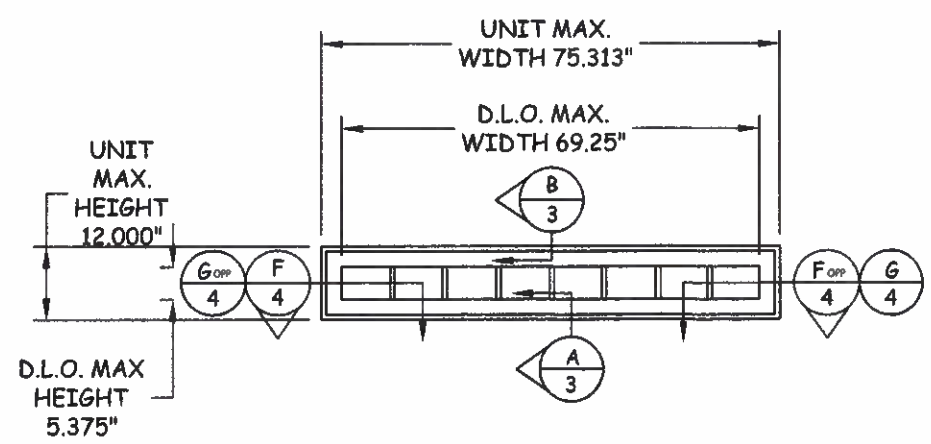
ANCHOR LAYOUT



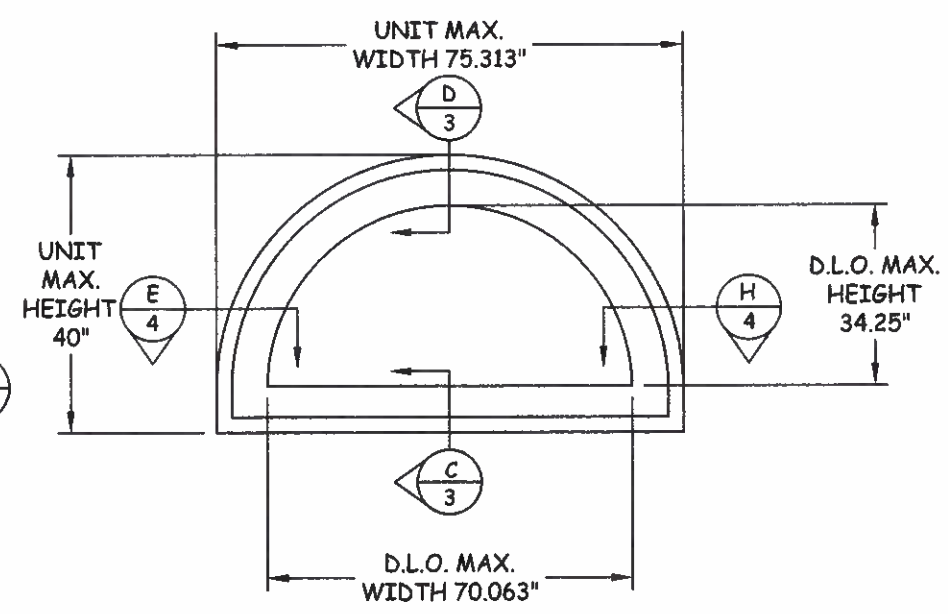
ANCHOR LAYOUT



**ELEVATION
TWT**



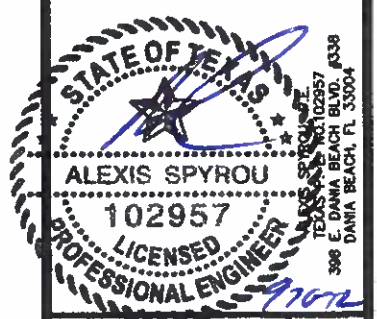
**ELEVATION
TWT**



**ELEVATION
CTN**

REVISIONS

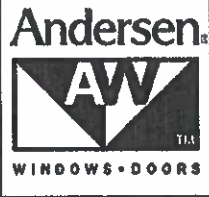
NO.	DESCRIPTION	BY	DATE



DATE: 8.02.12
 DWN BY: GRN
 CHK BY: HN
 SCALE: NTS

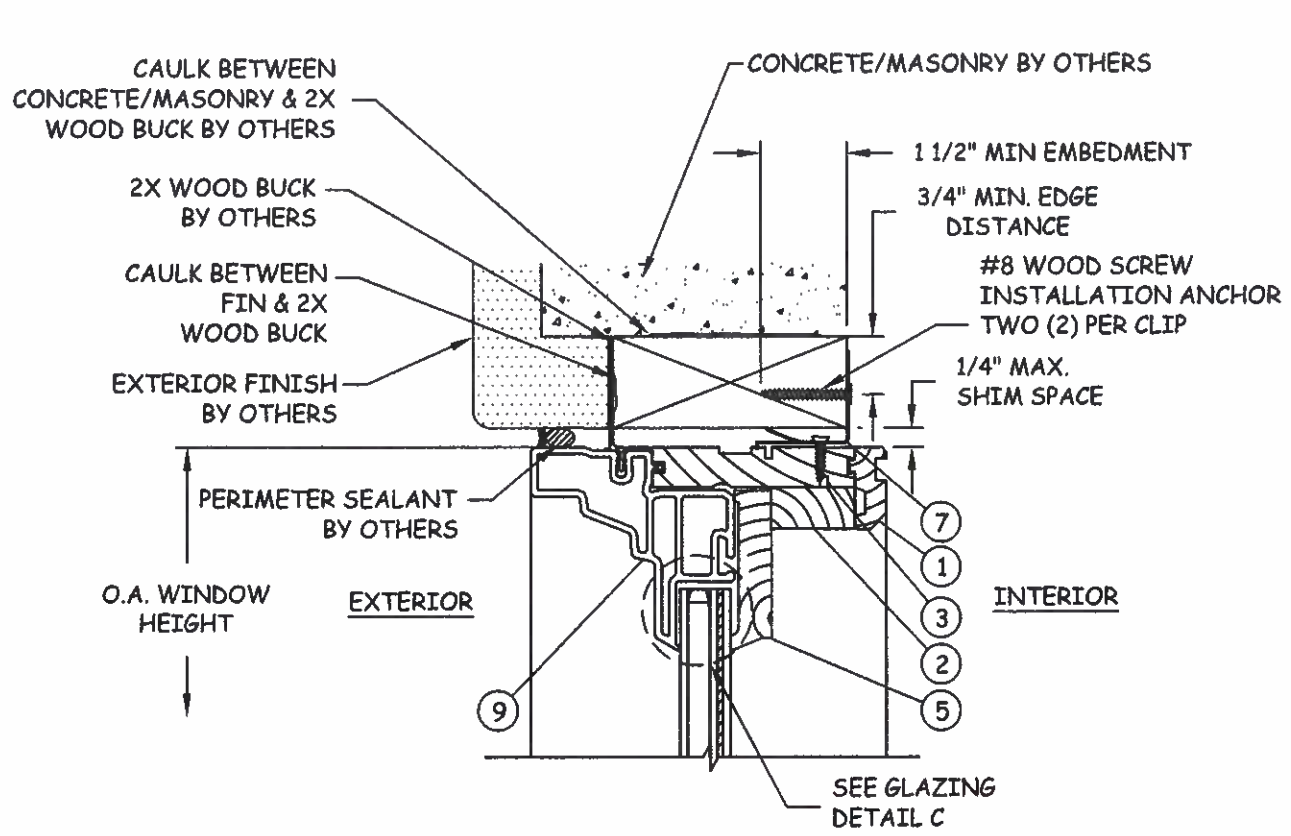
DWG #: **AWD057**
 SHEET: **2 OF 7**

s:\projects\andersons\windows\12-0631 (rdi submittal - windows and doors)\work\009-awd057 direct set.ctb tvt\m\dwgs\awd057 - 400 tvt transom.dwg 9/4/2012 10:31 AM

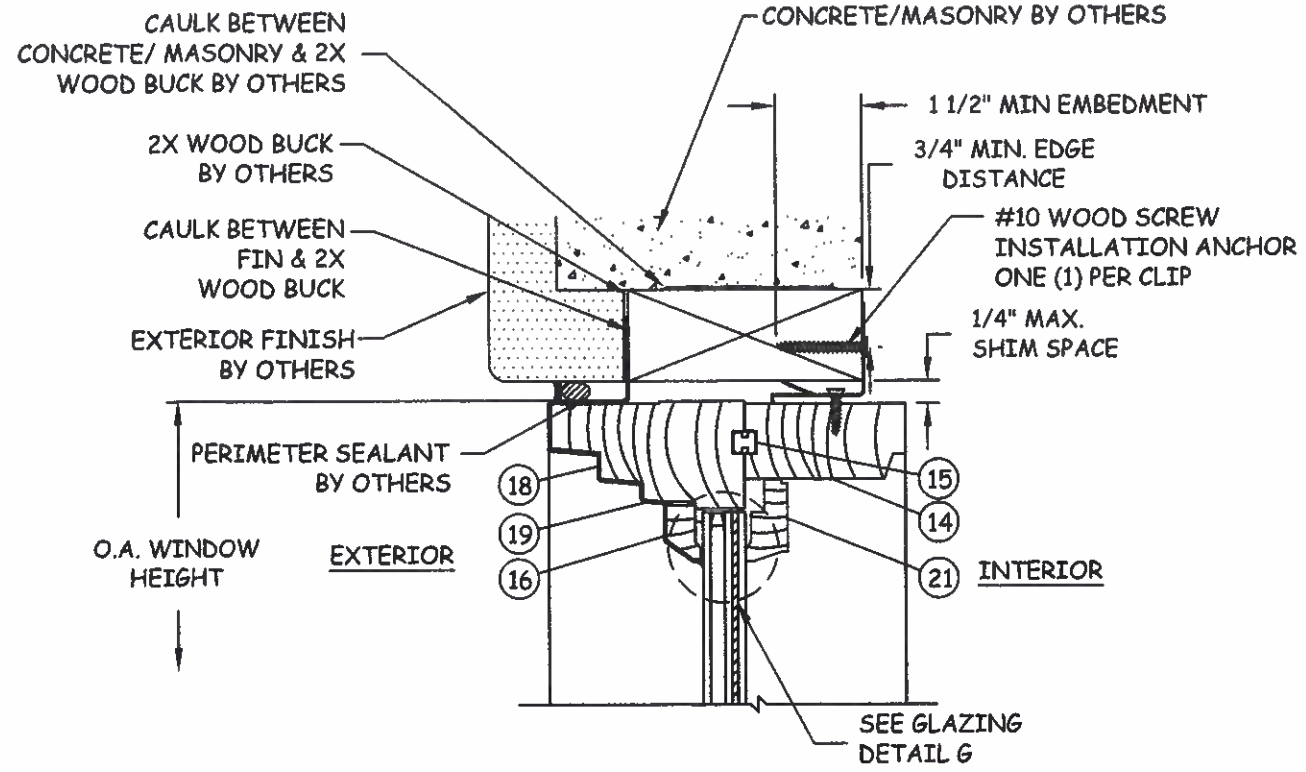


100 FOURTH AVE NORTH
BAYPORT, MN 55003-1096
PH: (651) 264-5150 FX: (65) 264-5485

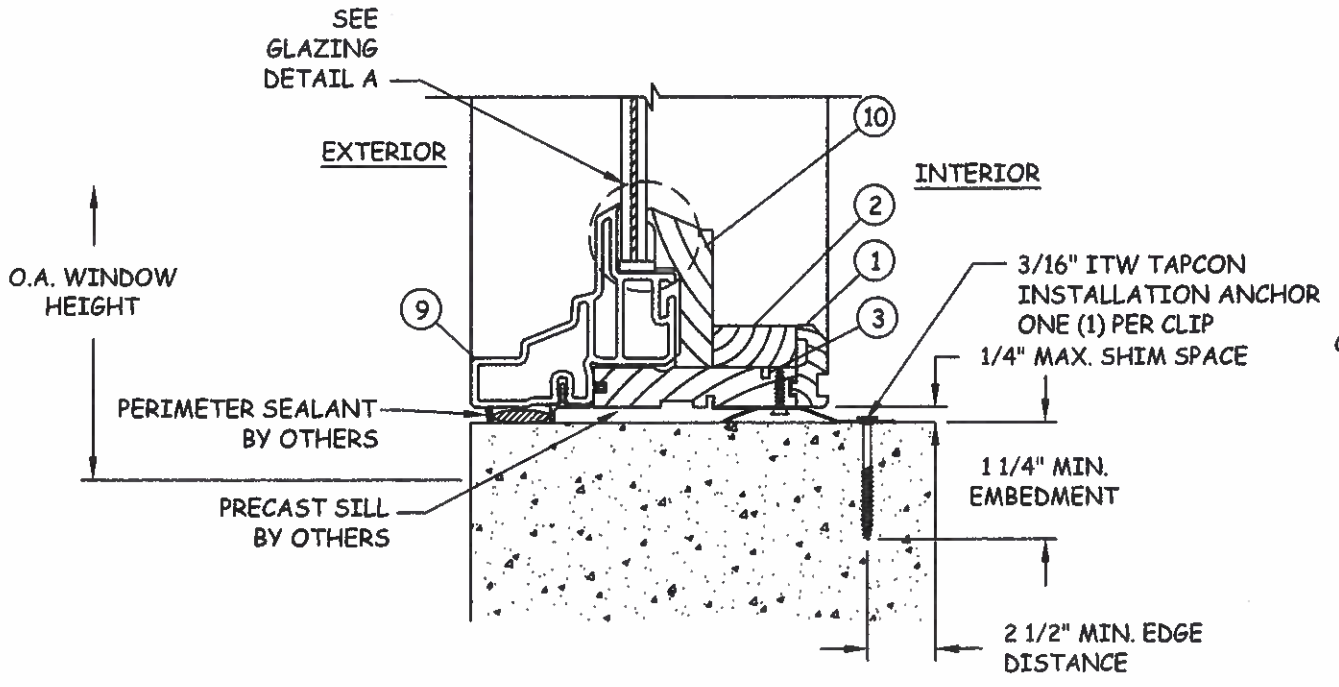
TITLE: CTN & TWT TRANSOM
VERTICAL SECTIONS
PREPARED BY:
BUILDING DROPS, INC.
398 E. DANIA BEACH BLVD. #338
DANIA BEACH, FL 33004
PH: (954) 399-8478 FX: (954) 744-4738



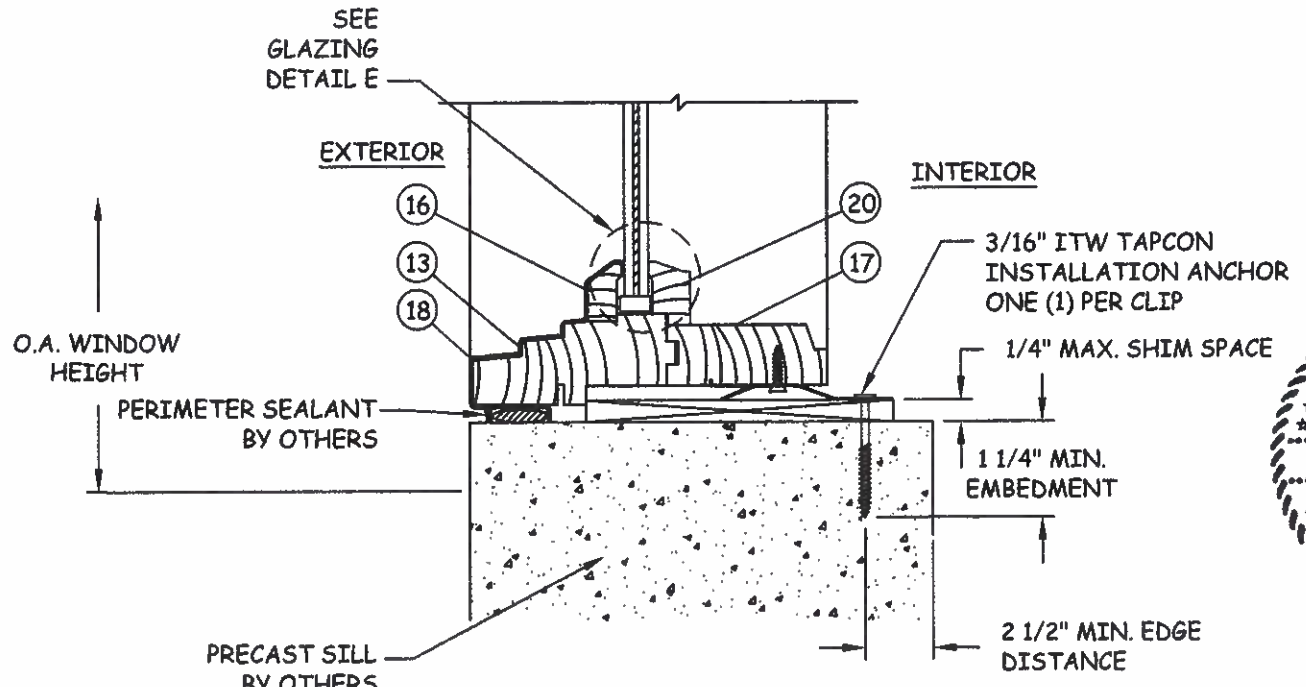
B
3 VERTICAL SECTION - TWT
HEAD - 2X WOOD/CONCRETE/MASONRY
INSTALLATION CLIP



D
3 VERTICAL SECTION - CTN
HEAD - 2X WOOD/CONCRETE/MASONRY
INSTALLATION CLIP

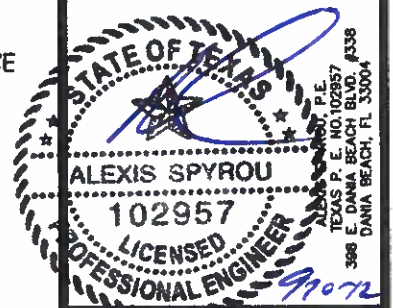


A
3 VERTICAL SECTION - TWT
SILL - PRECAST CONCRETE
INSTALLATION CLIP



C
3 VERTICAL SECTION - CTN
SILL - PRECAST CONCRETE
INSTALLATION CLIP

REVISIONS	DESCRIPTION	DATE	BY



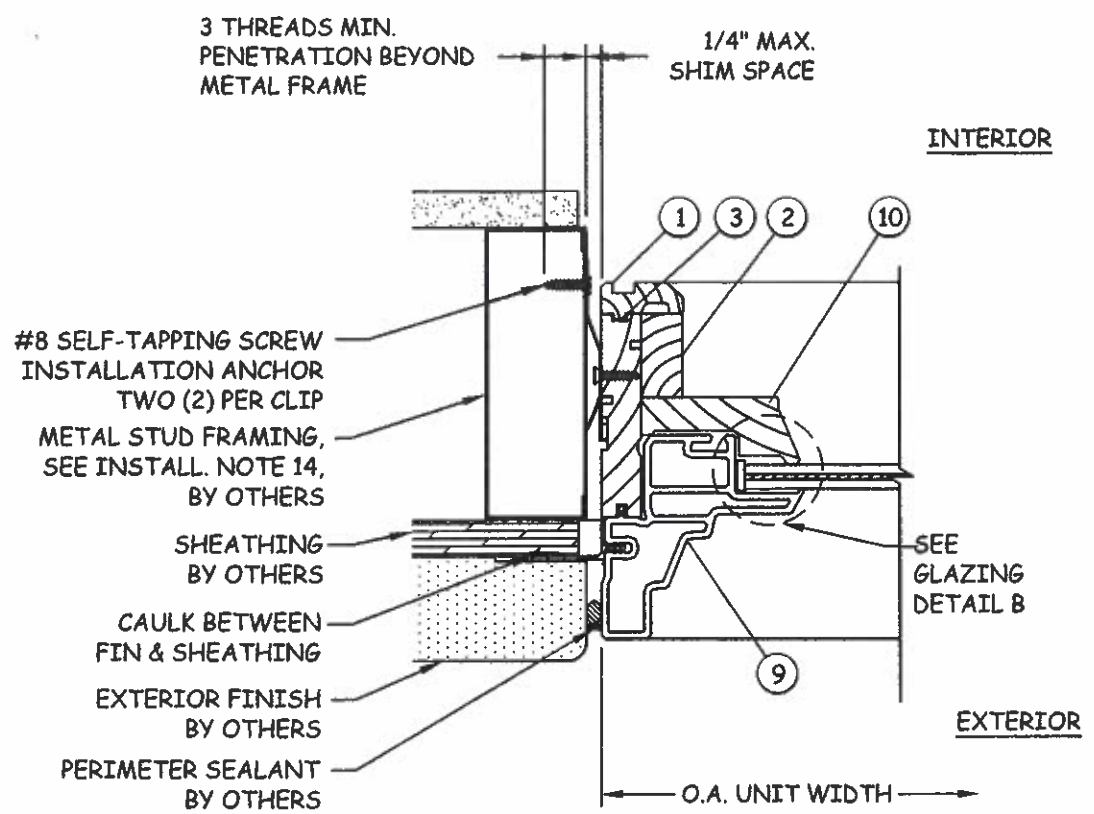
DATE: 8.02.12
DWN BY: GRN
CHK BY: HN
SCALE: NTS
DWG #: AWD057
SHEET: 3 OF 7

s:\projects\andersen\windows\tdi-12-0631 (rd) submittal - windows and doors\awd009-awd057 direct set.ctb [m:\dreg\awd057 - 400 tw transom.dwg 9/4/2012 10:31 AM

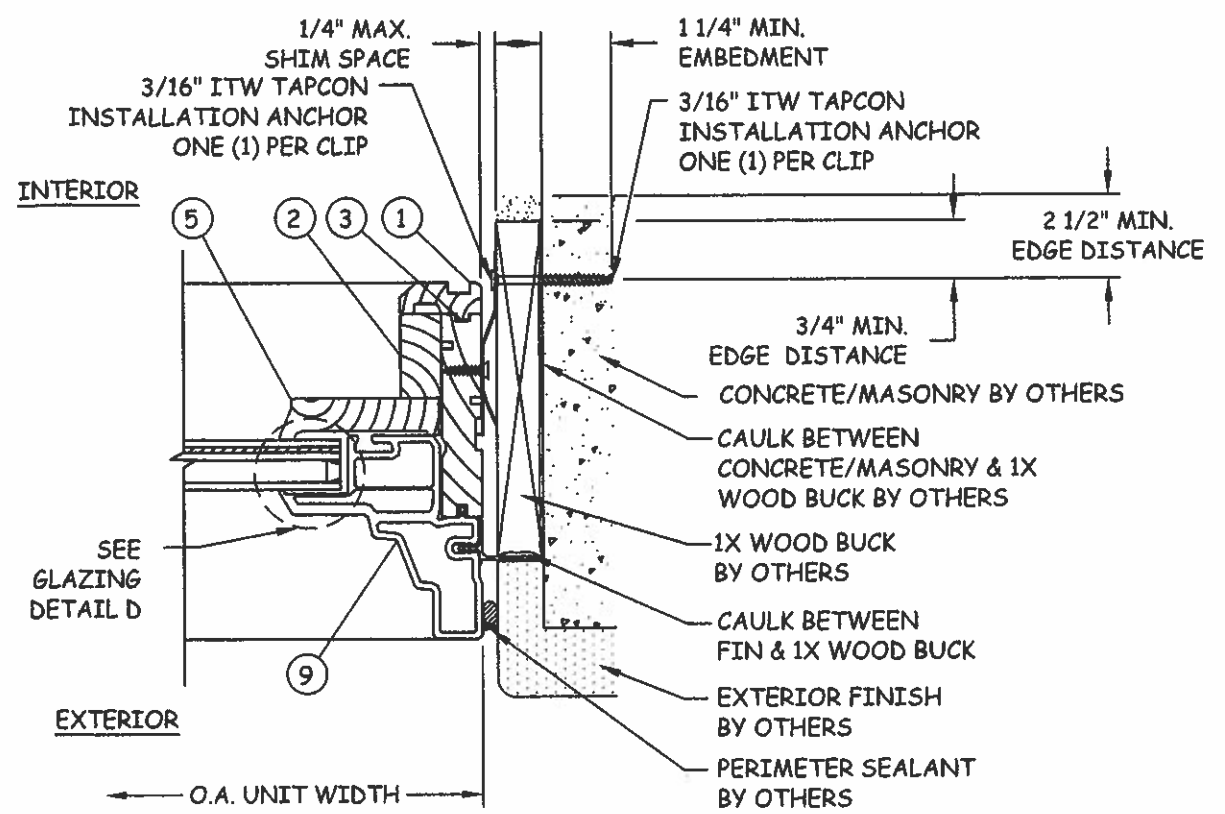
s:\projects\andersen\windows\12-0631 (tfd submit) - windows and doors\awd057.dwg direct set ctn met fin\awd057 - 400 tw transom.dwg 9/4/2012 10:31 AM



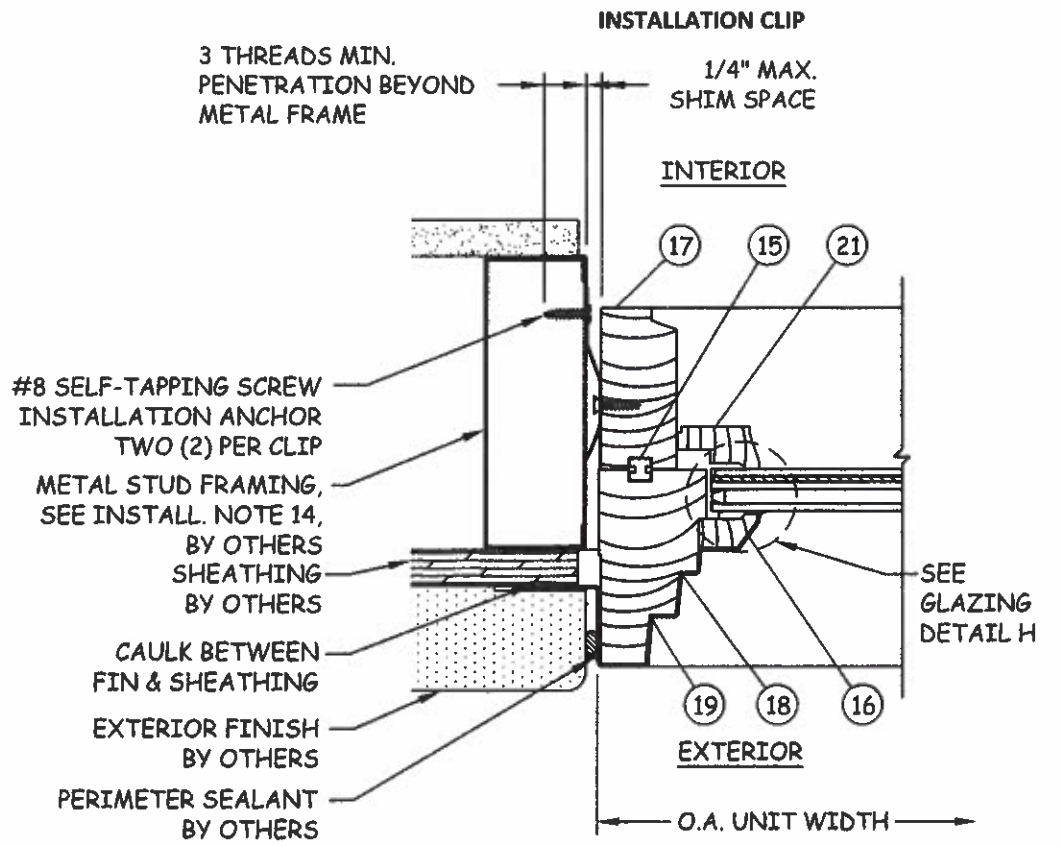
100 FOURTH AVE NORTH
BAYPORT, MN 55003-1096
PH: (651) 264-5150 FX: (65) 264-5485



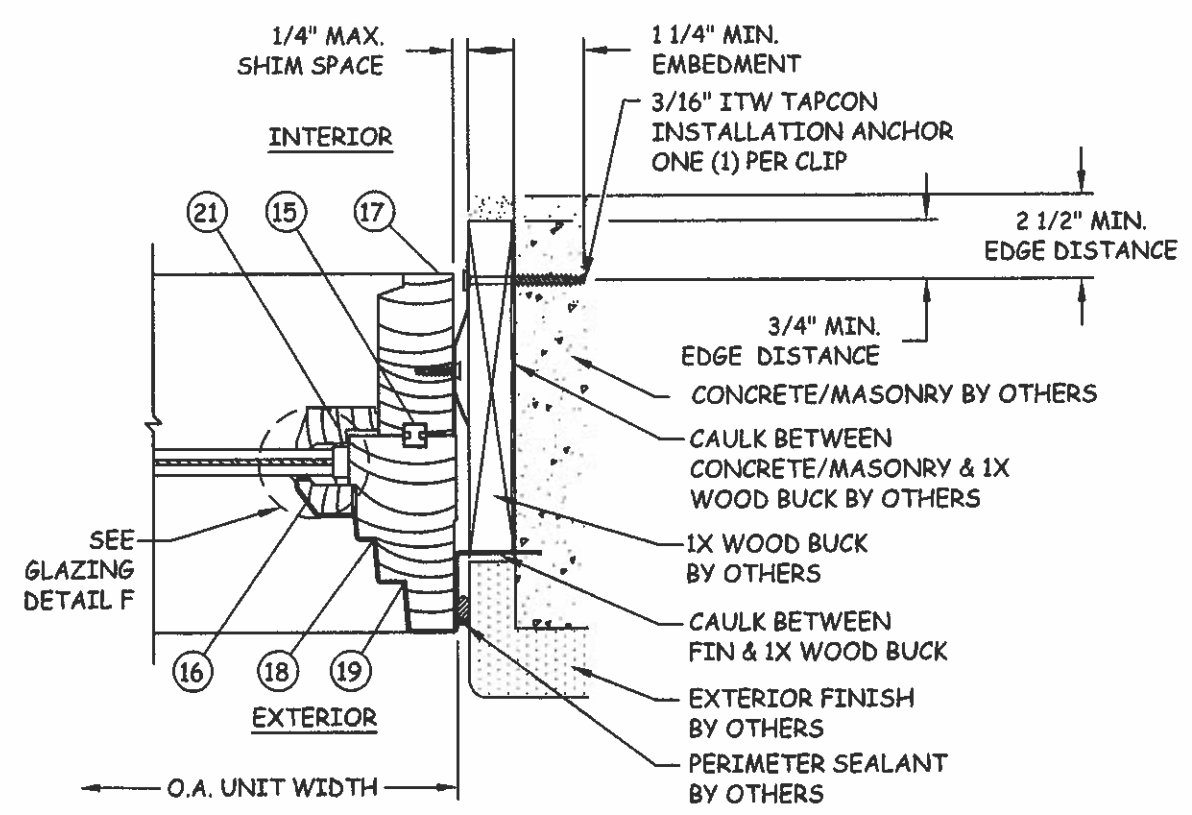
F
4 **HORIZONTAL SECTION - TWT**
JAMB - METAL STUD FRAME



G
4 **HORIZONTAL SECTION - TWT**
JAMB - 1X WOOD/CONCRETE/MASONRY
INSTALLATION CLIP



E
4 **HORIZONTAL SECTION - CTN**
JAMB - METAL STUD FRAME
INSTALLATION CLIP



H
4 **HORIZONTAL SECTION - CTN**
JAMB - 1X WOOD/CONCRETE/MASONRY
INSTALLATION CLIP

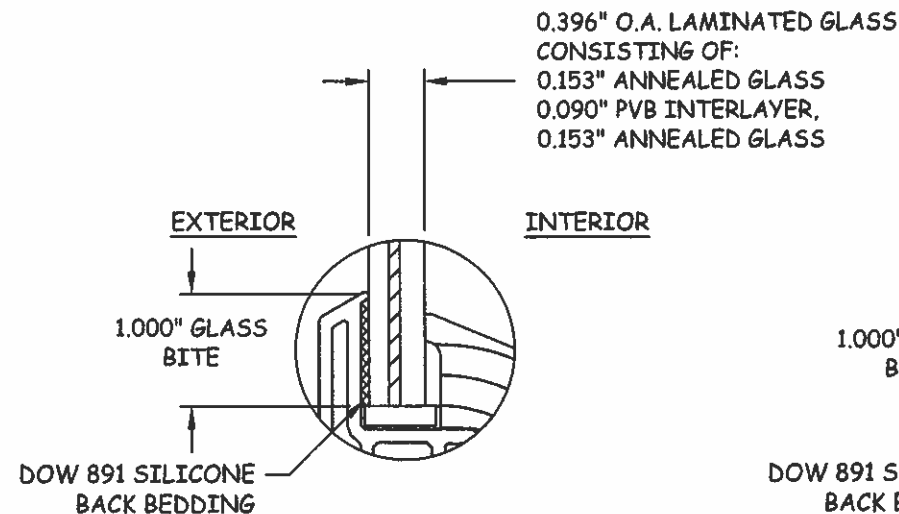
TITLE: CTN & TWT TRANSOM
HORIZONTAL SECTION
PREPARED BY: BUILDING DROPS, INC.
398 E. DANIA BEACH BLVD. #338
DANIA BEACH, FL 33004
PH: (954) 399-8478 FX: (954) 744-4738

NO.	DESCRIPTION	BY	DATE



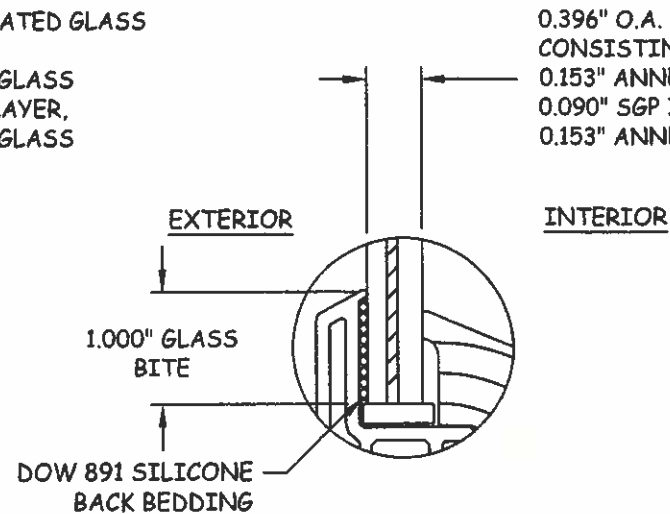
DATE: 8.02.12
DWN BY: GRN
CHK BY: HN
SCALE: NTS
DWG #: **AWD057**
SHEET: **4 OF 7**

s:\projects\anderson\windows and doors\awd057.dwg direct set ctn twt lau\dwg\awd057 - 400 tw transom.dwg 9/4/2012 10:31 AM



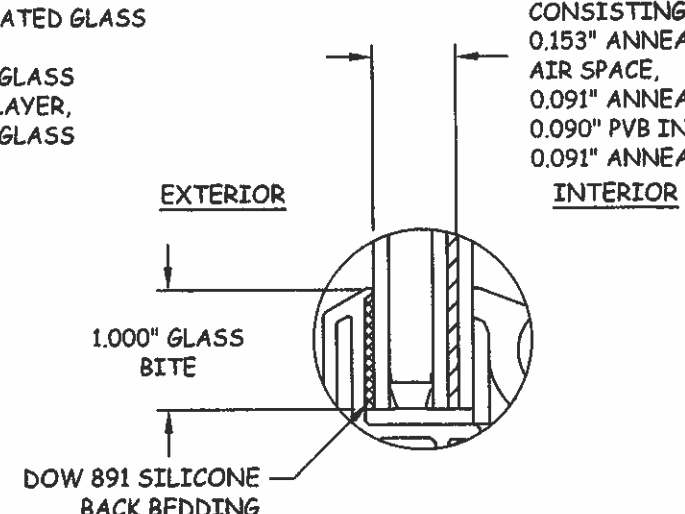
0.396" O.A. LAMINATED GLASS
CONSISTING OF:
0.153" ANNEALED GLASS
0.090" PVB INTERLAYER,
0.153" ANNEALED GLASS

GLAZING DETAIL A - TWT



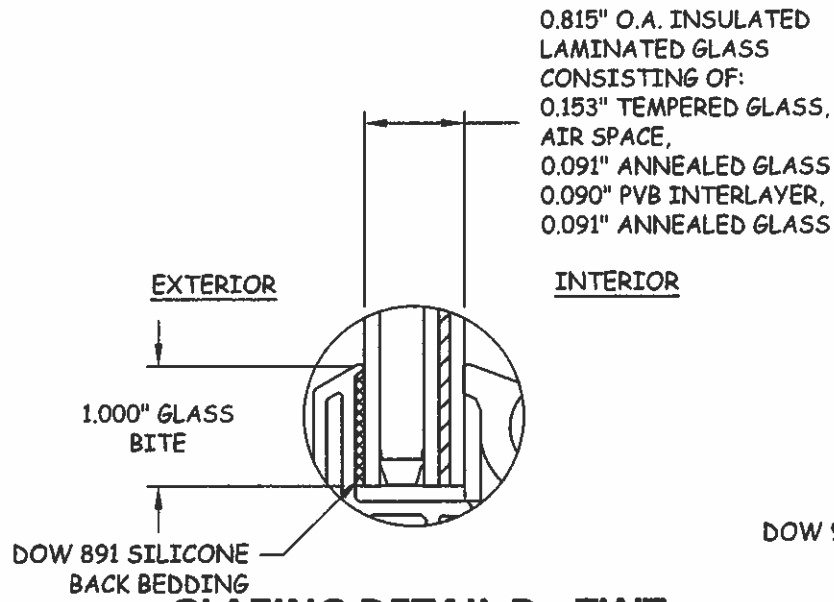
0.396" O.A. LAMINATED GLASS
CONSISTING OF:
0.153" ANNEALED GLASS
0.090" SGP INTERLAYER,
0.153" ANNEALED GLASS

GLAZING DETAIL B - TWT



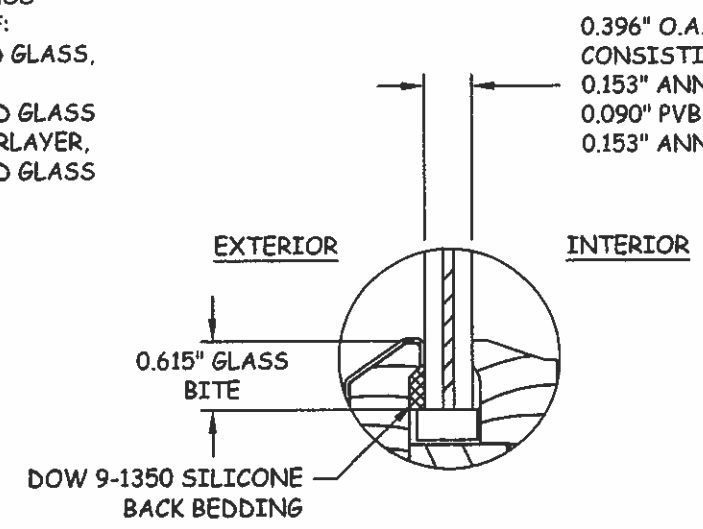
0.815" O.A. INSULATED
LAMINATED GLASS
CONSISTING OF:
0.153" ANNEALED GLASS,
AIR SPACE,
0.091" ANNEALED GLASS
0.090" PVB INTERLAYER,
0.091" ANNEALED GLASS

GLAZING DETAIL C - TWT



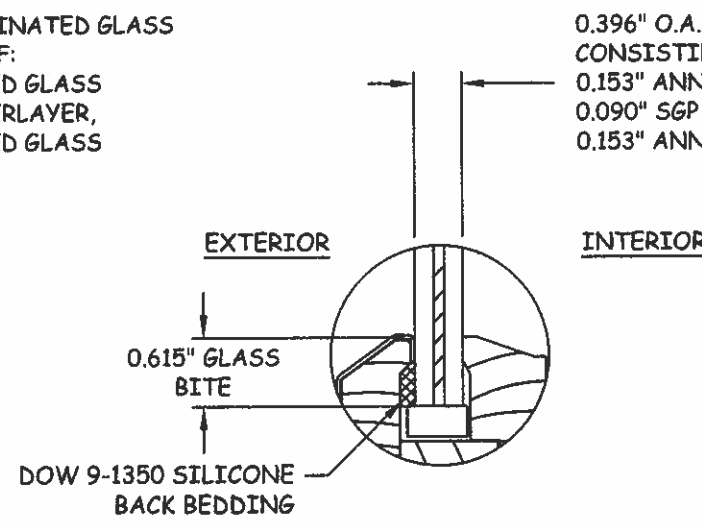
0.815" O.A. INSULATED
LAMINATED GLASS
CONSISTING OF:
0.153" TEMPERED GLASS,
AIR SPACE,
0.091" ANNEALED GLASS
0.090" PVB INTERLAYER,
0.091" ANNEALED GLASS

GLAZING DETAIL D - TWT



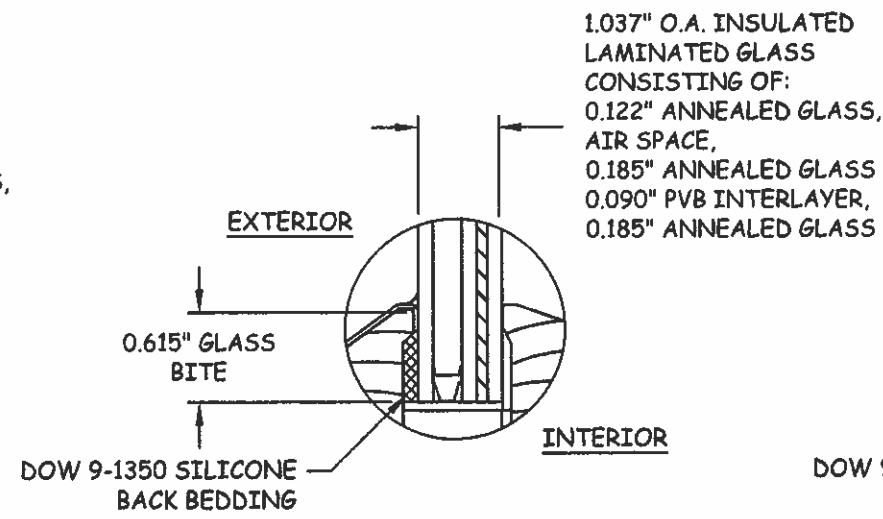
0.396" O.A. LAMINATED GLASS
CONSISTING OF:
0.153" ANNEALED GLASS
0.090" PVB INTERLAYER,
0.153" ANNEALED GLASS

GLAZING DETAIL E - CTN



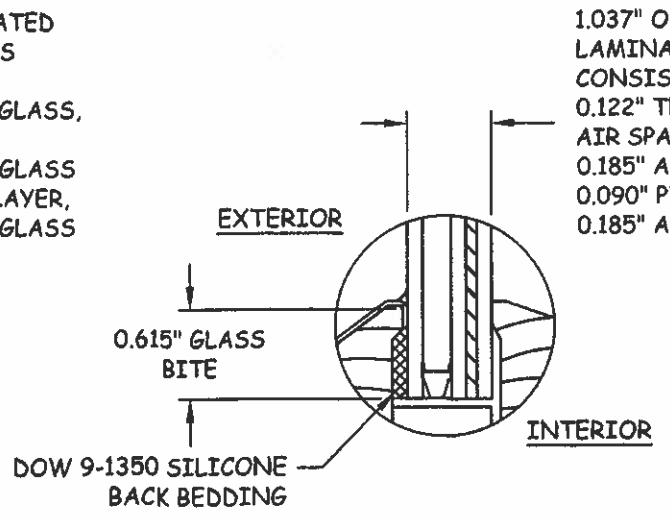
0.396" O.A. LAMINATED GLASS
CONSISTING OF:
0.153" ANNEALED GLASS
0.090" SGP INTERLAYER,
0.153" ANNEALED GLASS

GLAZING DETAIL F - CTN



1.037" O.A. INSULATED
LAMINATED GLASS
CONSISTING OF:
0.122" ANNEALED GLASS,
AIR SPACE,
0.185" ANNEALED GLASS
0.090" PVB INTERLAYER,
0.185" ANNEALED GLASS

GLAZING DETAIL G - CTN



1.037" O.A. INSULATED
LAMINATED GLASS
CONSISTING OF:
0.122" TEMPERED GLASS,
AIR SPACE,
0.185" ANNEALED GLASS
0.090" PVB INTERLAYER,
0.185" ANNEALED GLASS

GLAZING DETAIL H - CTN

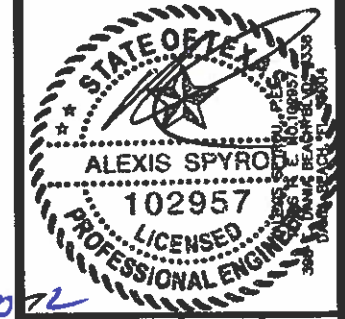
- GLAZING NOTES:**
1. GLAZING SHALL COMPLY WITH SAFETY GLAZING REQUIREMENTS, WHERE APPLICABLE, PER SECTION 2406 OF THE FBC.
 2. TWT UNITS' INTERIOR GLASS STOPS SHALL BE SECURED WITH 1/4" X 1-1/2" STAPLES, 2" FROM CORNERS & 8" O.C.
 3. CTN UNITS' INTERIOR GLASS STOP SHALL BE SECURED WITH 1/4" X 1-1/2" STAPLES, 6" O.C.



100 FOURTH AVE NORTH
BAYPORT, MN 55003-1096
PH: (651) 264-5150 FX: (65) 264-5485

TITLE: CTN & TWT TRANSOM
GLAZING DETAILS
PREPARED BY:
BUILDING DROPS, INC.
398 E. DANIA BEACH BLVD. #338
DANIA BEACH, FL 33004
PH: (954) 399-8478 FX: (954) 744-4738

NO.	DESCRIPTION	BY	DATE

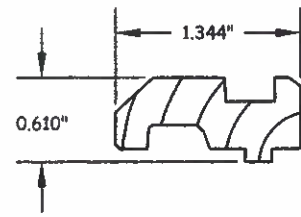


DATE: 8.02.12
DWN BY: GRN
CHK BY: HN
SCALE: NTS

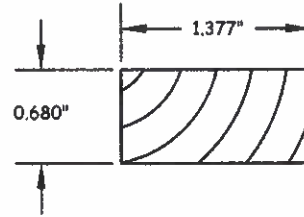
DWG #: **AWD057**
SHEET: **5 OF 7**

s:\projects\andersen\windows\12-0631 (tdi submitted - windows and doors)\awd057-direct set ctn twr fin\dwg\awd057-400 tw transom.dwg 9/4/2012 10:31 AM

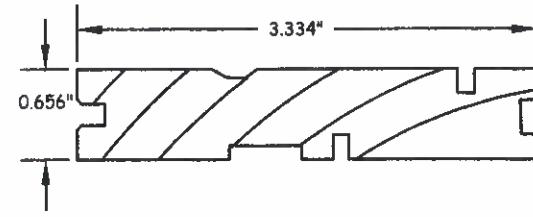
① FRAME STOP WOOD



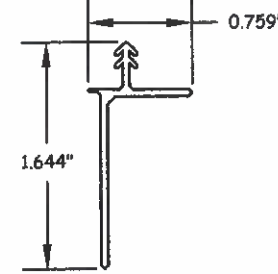
② TRIM STOP WOOD



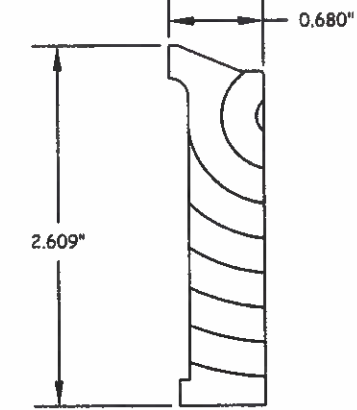
③ HEAD/SILL/JAMB WOOD



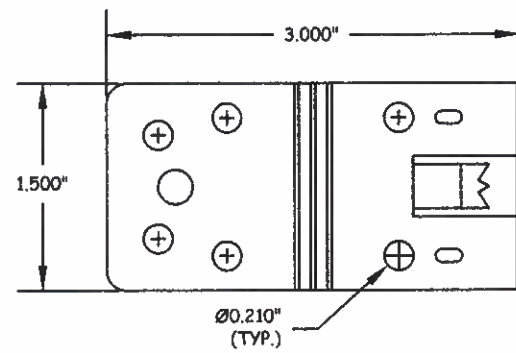
④ NAILING FIN PVC - 0.050" TYP. WALL THICKNESS



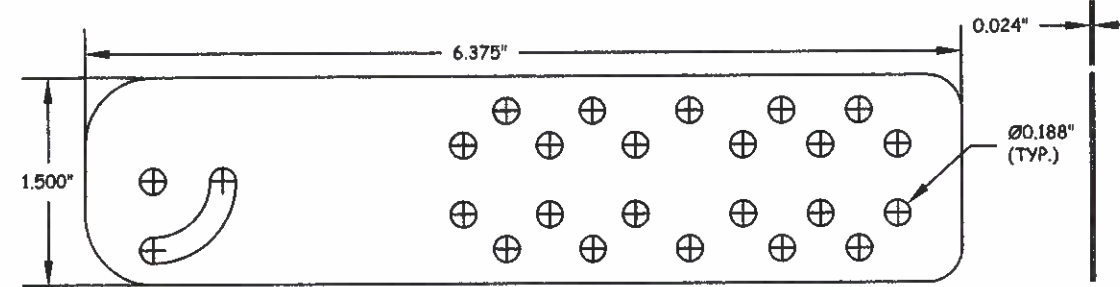
⑤ GLASS STOP WOOD - INSULATED L



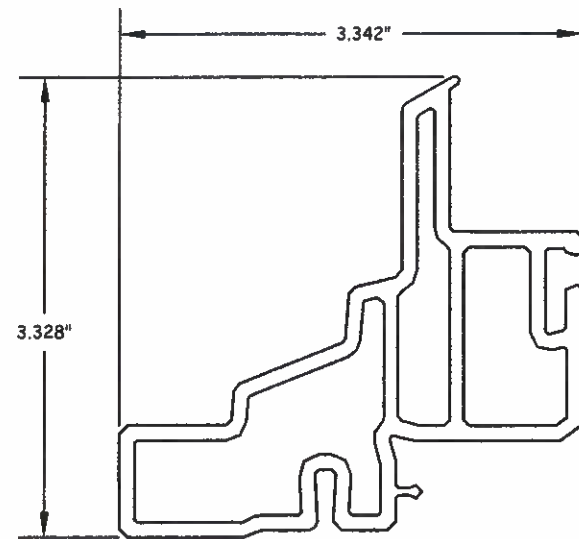
⑦ INSTALLATION CLIP 304 SS



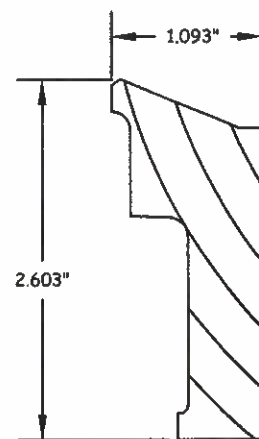
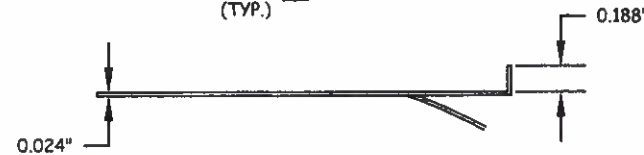
⑧ INSTALLATION CLIP 304 SS



⑨ EXTERIOR FRAME FIBREX



⑩ GLASS STOP WOOD - MONOLITHIC LAMI.



BILL OF MATERIALS - TWT

NO	DESCRIPTION	MATERIAL	MANUFACTURER
1	FRAME STOP	WOOD	ANDERSEN
2	TRIM STOP	WOOD	ANDERSEN
3	HEAD/SILL/JAMB	WOOD	ANDERSEN
4	NAILING FIN	PVC	ANDERSEN
5	INSULATED GLASS STOP	WOOD	ANDERSEN
6	NOT USED	-	-
7	INSTALLATION CLIP	STEEL	ANDERSEN
8	INSTALLATION CLIP	STEEL	ANDERSEN
9	EXTERIOR FRAME	FIBREX	ANDERSEN
10	GLASS STOP	WOOD	ANDERSEN

NOTE: ALL WOOD TO BE PONDEROSA PINE OR EQUAL



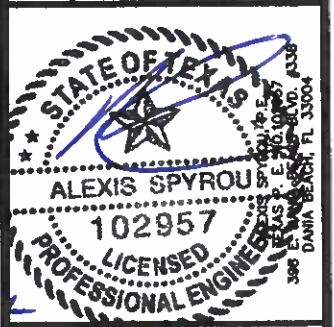
100 FOURTH AVE NORTH
BAYPORT, MN 55003-1096
PH: (651) 264-5150 FX: (65) 264-5485

TITLE: CTN & TWT TRANSOM
TWT - COMPONENTS AND BILL OF MATERIALS

PREPARED BY:
BUILDING DROPS, INC.
398 E. DANIA BEACH BLVD. #338
DANIA BEACH, FL 33004
PH: (954) 399-8478 FX: (954) 744-4738

REVISIONS

NO.	DESCRIPTION	BY	DATE

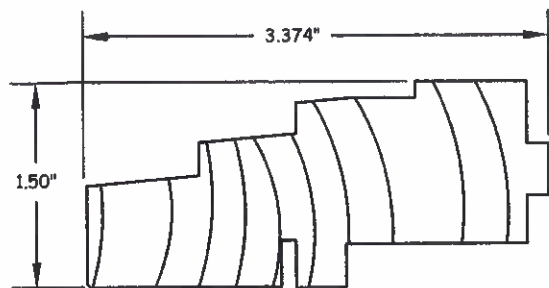


DATE: 8.02.12
DWN BY: GRN
CHK BY: HN
SCALE: NTS

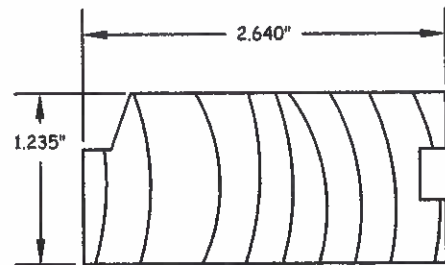
DWG #: **AWD057**
SHEET: **6 OF 7**

s:\projects\andersen\windows\12-0631 (ref submitral - windows and doors)\awd009-awd057 direct set ctn twt tm\dwg\awd057 - 600 tw transom.dwg 9/4/2012 10:31 AM

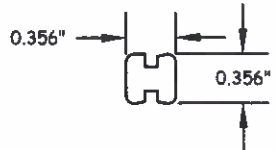
13 FRAME SILL WOOD



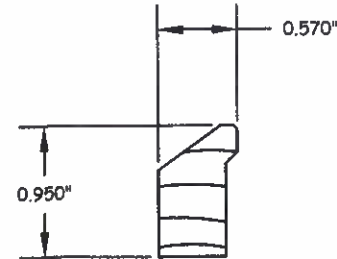
14 IS ARCH FRAME WOOD



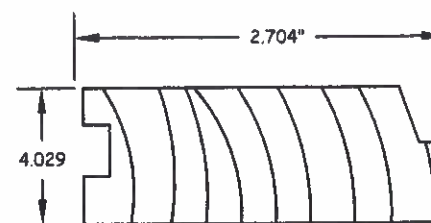
15 SPLINE PVC



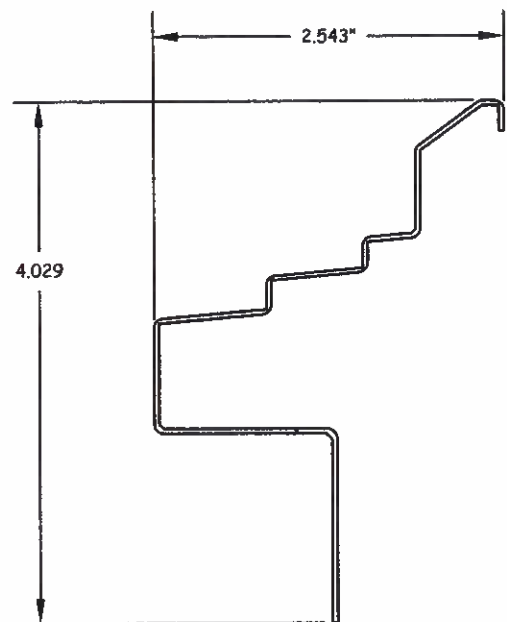
16 OS GLASS STOP WOOD



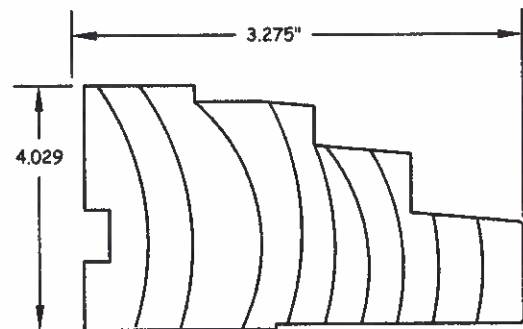
17 IS ARCH FRAME WOOD



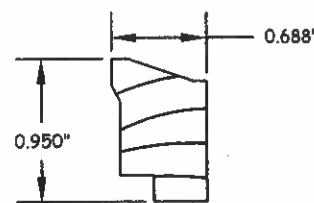
18 EXTERIOR FRAME CLADDING PVC



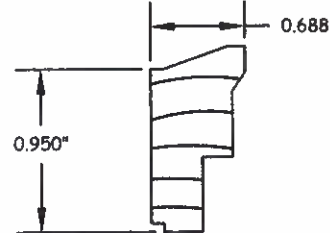
19 FRAME HEAD/SILL WOOD



20 IS GLASS STOP SILL WOOD



21 IS GLASS STOP JAMBS/HEADER WOOD



BILL OF MATERIALS - CTN			
NO	DESCRIPTION	MATERIAL	MANUFACTURER
11	NOT USED	-	ANDERSEN
12	NOT USED	-	ANDERSEN
13	FRAME SILL	WOOD	ANDERSEN
14	IS ARCH FRAME	WOOD	ANDERSEN
15	SPLINE	PVC	ANDERSEN
16	OS GLASS STOP	WOOD	ANDERSEN
17	IS ARCH FRAME	WOOD	ANDERSEN
18	EXTERIOR FRAME CLADDING	PVC	ANDERSEN
19	FRAME HEAD/SILL	WOOD	ANDERSEN
20	IS GLASS STOP SILL	WOOD	ANDERSEN
21	IS GLASS STOP JAMB/HEADER	WOOD	ANDERSEN

NOTE: ALL WOOD TO BE PONDEROSA PINE OR EQUAL

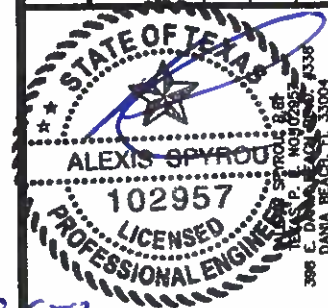


100 FOURTH AVE NORTH
BAYPORT, MN 55003-1096
PH: (651) 264-5150 FX: (65) 264-5485

TITLE:
CTN & TWT TRANSOM
CTN - COMPONENTS AND
BILL OF MATERIALS

PREPARED BY:
BUILDING DROPS, INC.
398 E. DANIA BEACH BLVD. #338
DANIA BEACH, FL 33004
PH: (954) 399-8478 FX: (954) 744-4738

NO.	DESCRIPTION	BY	DATE



DATE: 8.02.12
DWN BY: GRN
CHK BY: HN
SCALE: NTS

DWG #: **AWD057**
SHEET: **7 OF 7**