



250 Staunton Turnpike, Parkersburg, WV 26104

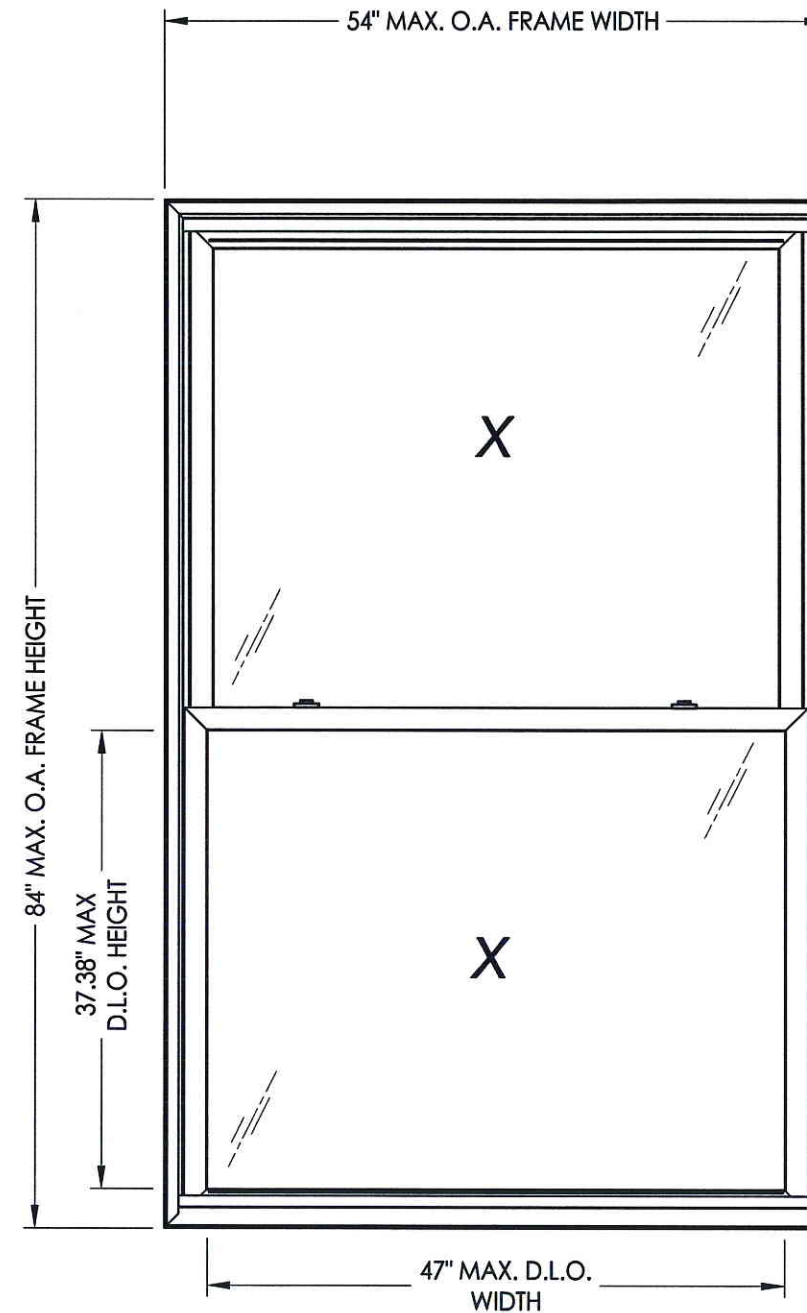
# 8800 Series Vinyl Double Hung Window "IMPACT"

### EVALUATED FOR USE IN THE STATE OF TEXAS

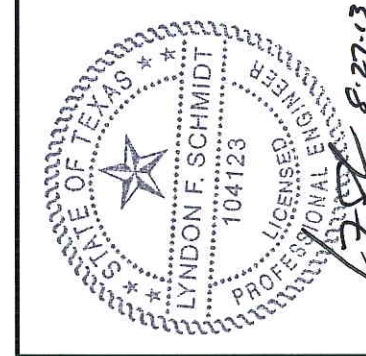
The Wincore Double Hung Window described herein complies with the 2006 International Residential Code (IRC), Sections R308.6 and the 2006 International Building Code (IBC), Sections 1405.12, 1609, 1714.5, 2403 and 2404 (including Texas revisions) subject to the following conditions:

1. Anchors shall be as listed and spaced as shown in the details. Anchor embedment to base material shall be beyond roof covering.
2. When used in areas requiring wind-borne debris protection (Seaward and Inland I areas), this product complies with Section R301.2.1.2 of the IRC and Section 1609.1.2 of the IBC and does not require impact protection. This product meets missile level "D" and includes Wind Zone 4 as defined in ASTM E 1996.
3. Allowable design pressure requirements must be equal to or less than the design pressure rating shown in the design pressure chart, sheet 1 of this drawing.
4. Conditions not covered by this drawing are subject to further engineering analysis.

TABLE OF CONTENTS	
SHEET#	DESCRIPTION
1	Typical elevations, design pressures and general notes
2	Vertical & horizontal cross sections & frame anchoring
3	Components
4	Bill of materials, components and glazing details



MAX. FRAME DIMENSION	MAX. D.L.O. DIMENSION	GLASS TYPE	DESIGN PRESSURE (PSF)	
			POSITIVE	NEGATIVE
48.0" X 72.0"	41.0" X 31.38"	G1	+60.0	-65.0
54.0" X 84.0"	47.0" X 37.38"	G1	+50.0	-50.0
54.0" X 76.0"	47.0" X 33.38"	G2	+55.0	-60.0
54.0" X 76.0"	47.0" X 33.38"	G3	+65.0	-70.0



Documents Prepared By: Lyndon F. Schmidt, P.E.  
TEXAS P.E. #104123

**RW** BUILDING CONSULTANTS, INC.  
P.O. Box 230 Valrico FL 33595  
Phone No.: 813.659.9197

TEXAS BOARD OF PROFESSIONAL ENGINEERS  
CERTIFICATE OF REGISTRATION # F-11852

PRODUCT: 8800 SERIES Vinyl Double Hung Window

PART OR ASSEMBLY: TYPICAL ELEVATION, DESIGN PRESSURES & GENERAL NOTES

NO.	DATE	BY	REVISIONS
1	8/27/13	JK	ADDED NEW FRAME SIZE

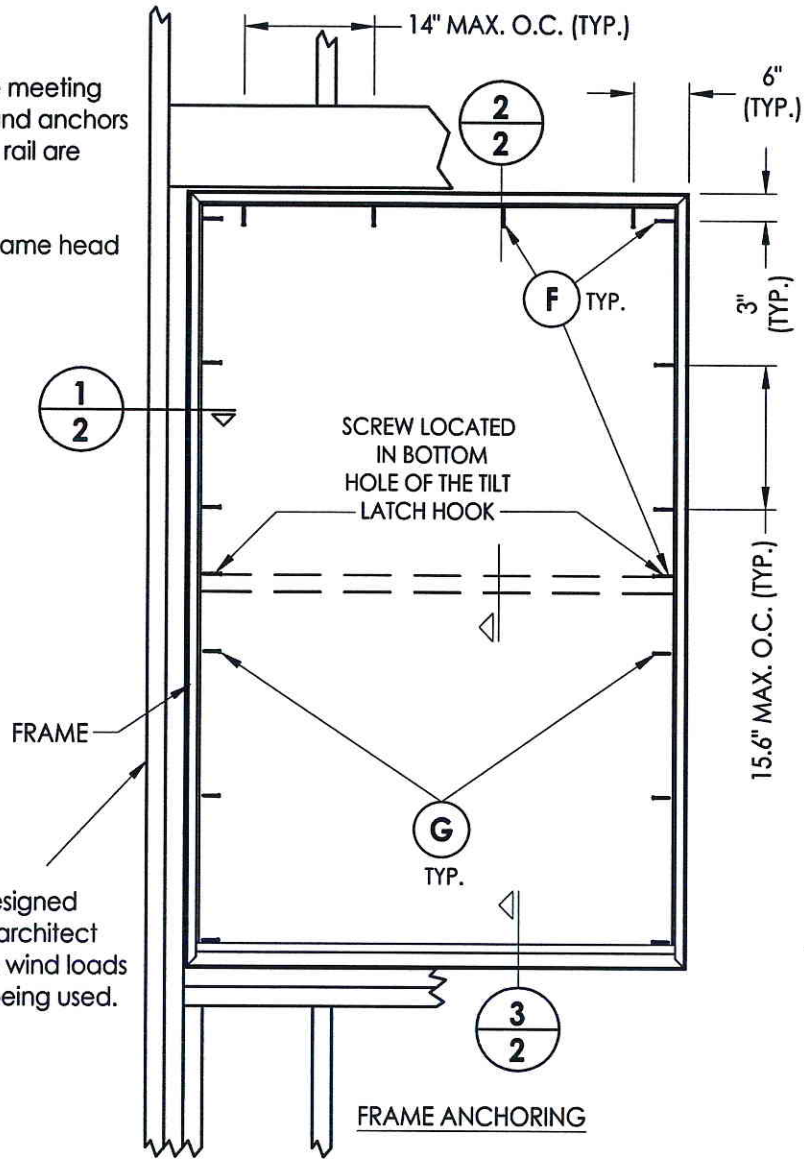
DATE: 9/10/12  
SCALE: N.T.S.  
DWG. BY: JK  
CHK. BY: LFS  
DRAWING NO.: TX-4235  
SHEET 1 OF 4



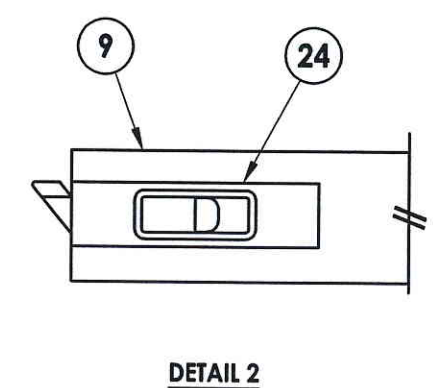
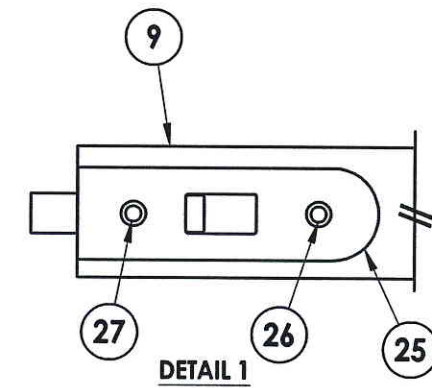
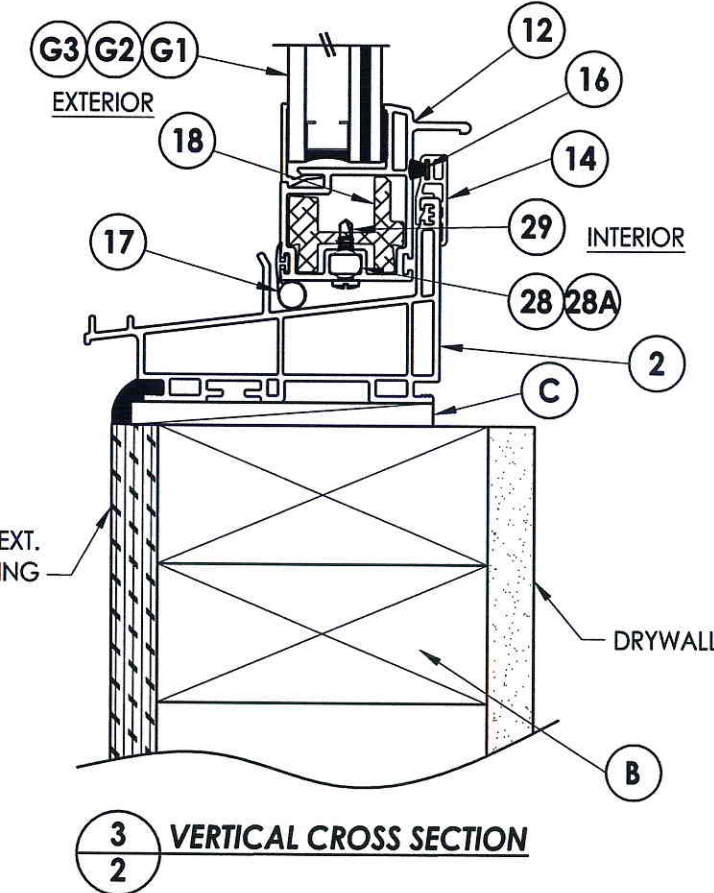
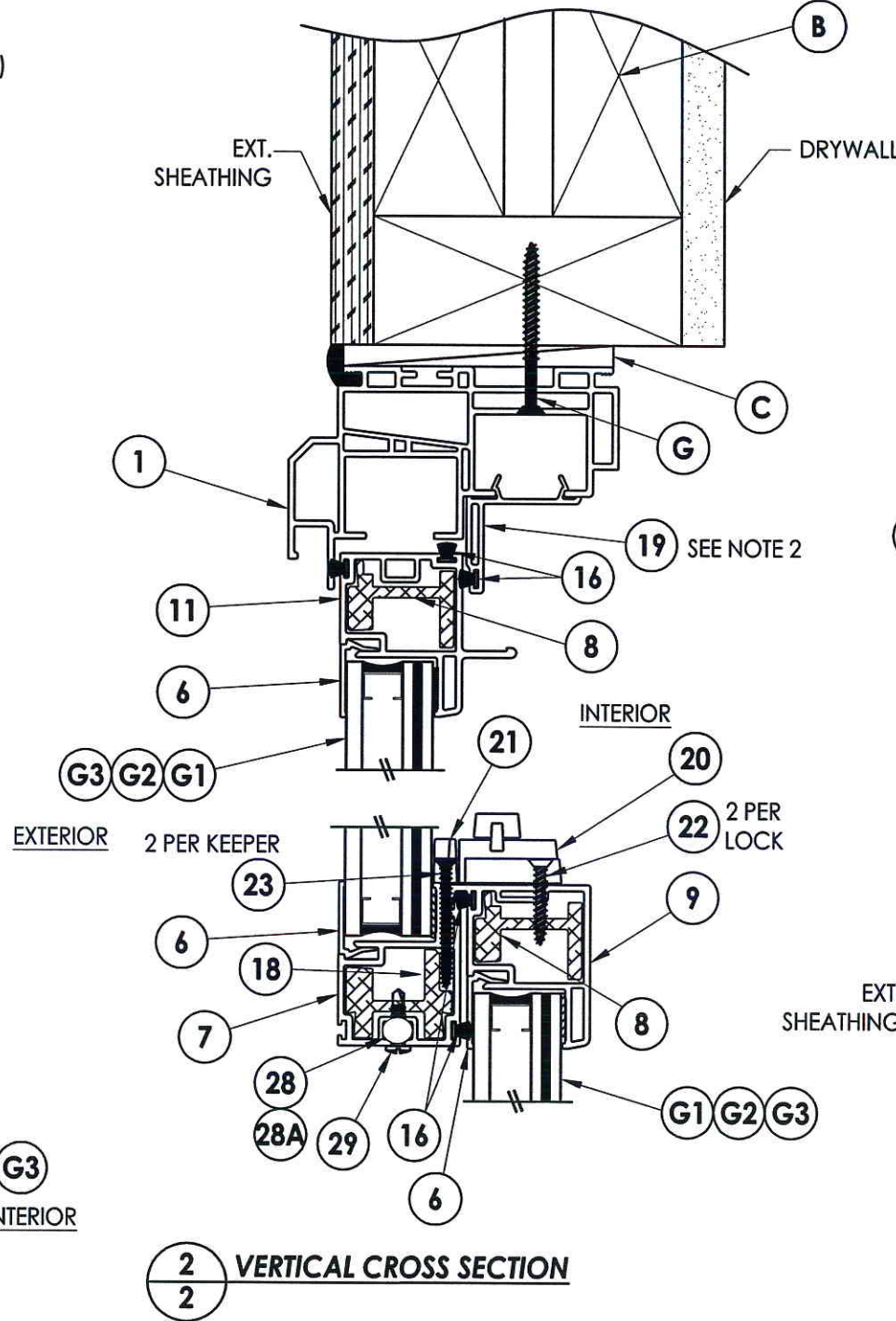
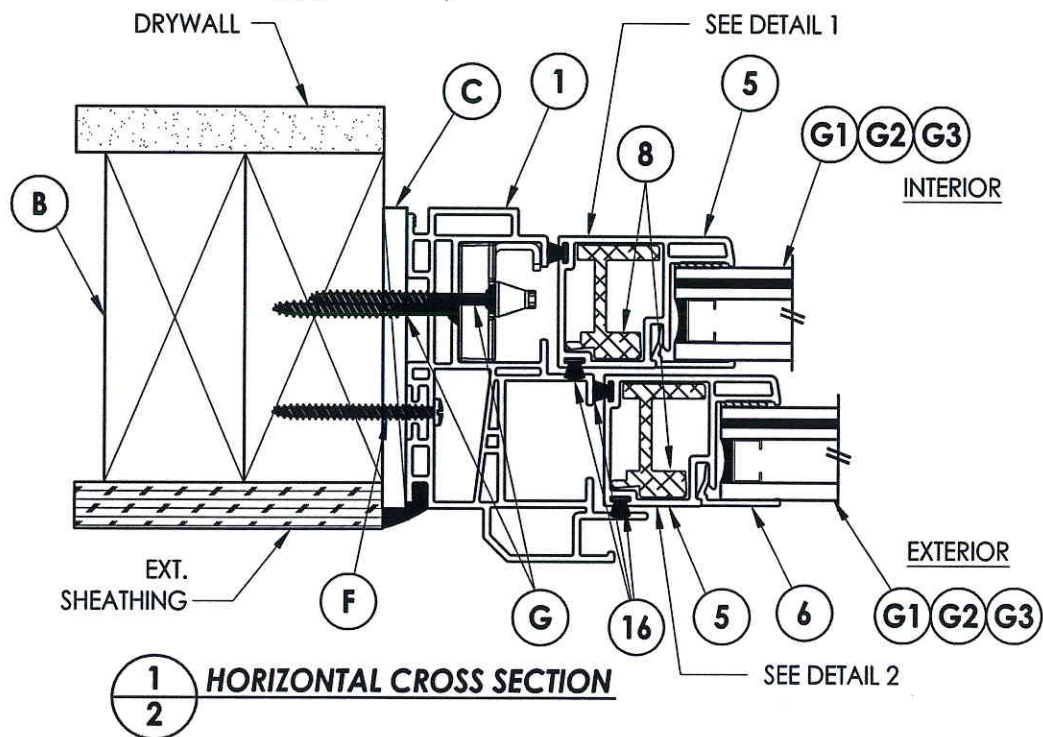
R:\A - Projects\Project Folders\Proj 1601 - 1700\PF 1679\Double Hung\Texas 2012\TX-4234.dwg, 2.2

**NOTES:**

1. Anchors located above the meeting rail are in the interior track and anchors located below the meeting rail are in the exterior track.
2. Item #19 glued to item #1 frame head with PVC Vinyl Cement.



2x framing to be designed by the engineer or architect of record based on wind loads and the cladding being used.



Documents Prepared By: Lyndon F. Schmidt, P.E.  
 TEXAS P.E. #104123

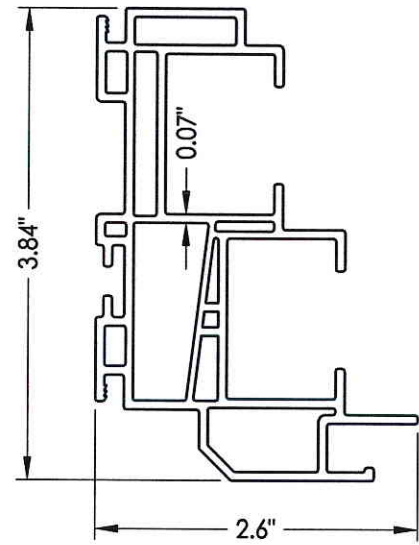
**R.W.** BUILDING CONSULTANTS, INC.  
 P.O. Box 230 Vairico FL 33595  
 Phone No.: 813.659.9197

TEXAS BOARD OF PROFESSIONAL ENGINEERS  
 CERTIFICATE OF REGISTRATION # F-11852

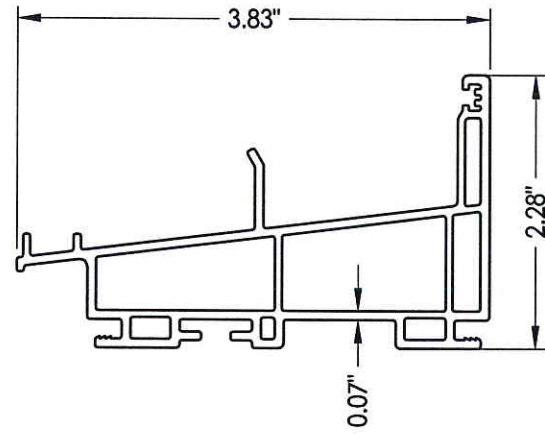
PRODUCT:	8800 SERIES Vinyl Double Hung Window
PART OR ASSEMBLY:	VERTICAL & HORIZONTAL CROSS SECTIONS & FRAME ANCHORING
DATE:	9/10/12
SCALE:	N.T.S.
DWG. BY:	JK
CHK. BY:	LFS
DRAWING NO.:	TX-4235
SHEET	2 OF 4

NO.	DATE	BY	REVISIONS
1	8/27/13	JK	ADDED NEW FRAME SIZE

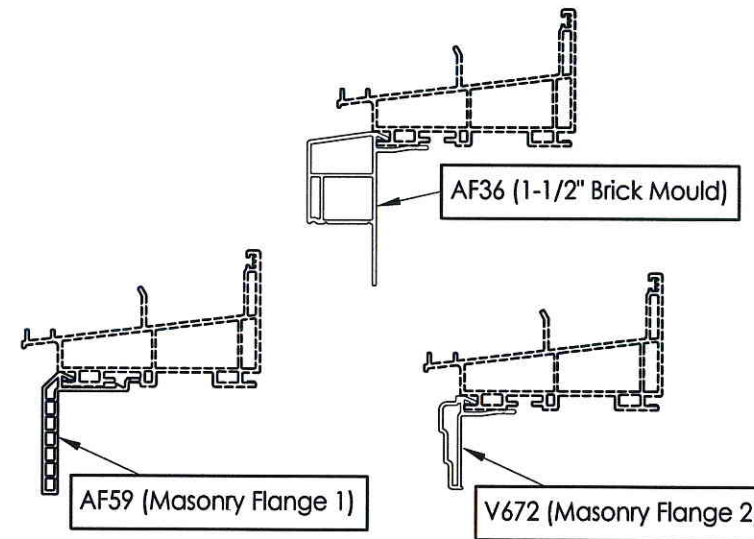




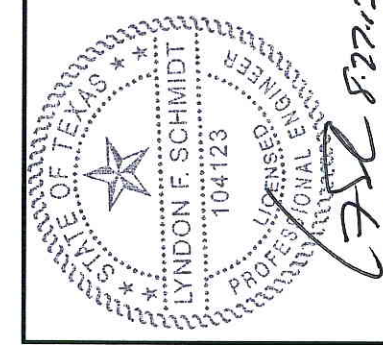
**1** FRAME HEAD & JAMB



**2** SILL



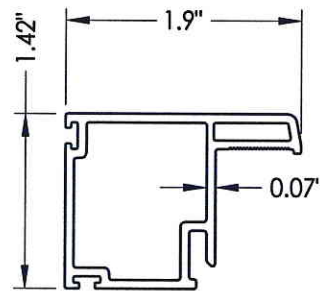
**OPTIONAL COSMETIC FLANGES**



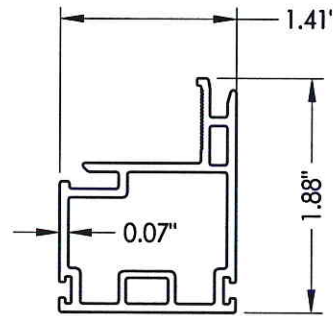
Documents Prepared By: Lyndon F. Schmidt, P.E.  
TEXAS P.E. #104123

**RW** BUILDING CONSULTANTS, INC.  
P.O. Box 230 Valrico FL 33595  
Phone No.: 813.659.9197  
TEXAS BOARD OF PROFESSIONAL ENGINEERS  
CERTIFICATE OF REGISTRATION # F-11852

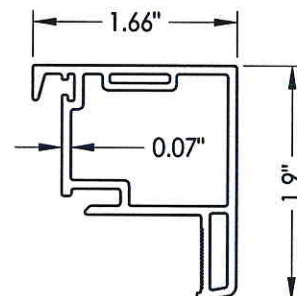
PRODUCT:		8800 SERIES Vinyl Double Hung Window	
PART OR ASSEMBLY:		COMPONENTS	
NO.	DATE	ADDED NEW FRAME SIZE	REVISIONS
1	8/27/13		JK BY
DATE: 9/10/12		SCALE: N.T.S.	
DWG. BY: JK		CHK. BY: LFS	
DRAWING NO.: TX-4235		SHEET 3 OF 4	



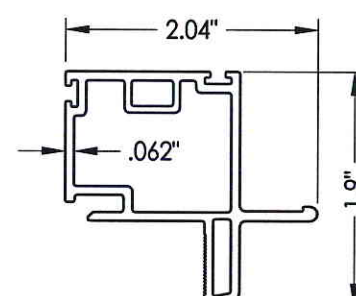
**5** SASH STILE



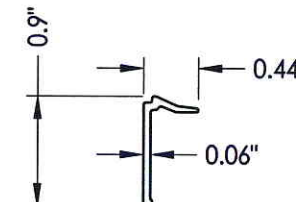
**7** KEEPER RAIL  
Upper Sash



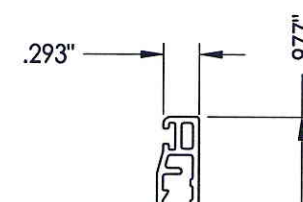
**9** LOCK RAIL  
Lower Sash



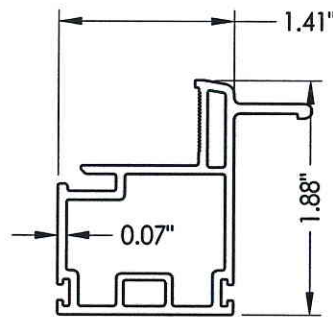
**11** TOP RAIL  
Upper Sash



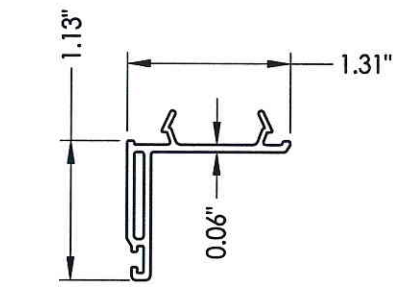
**6** GLAZING BEAD



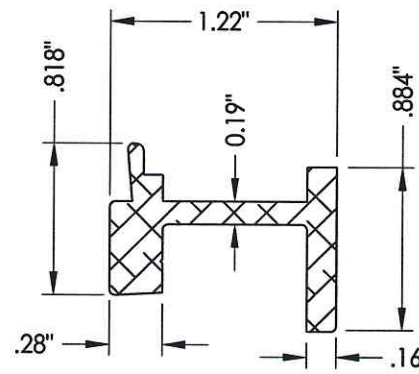
**14** SILL DAM EXTENDER



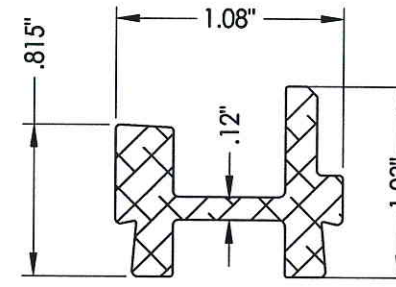
**12** BOTTOM RAIL  
Lower Sash



**19** HEAD ADAPTER



**8** REINFORCEMENT  
Alum.



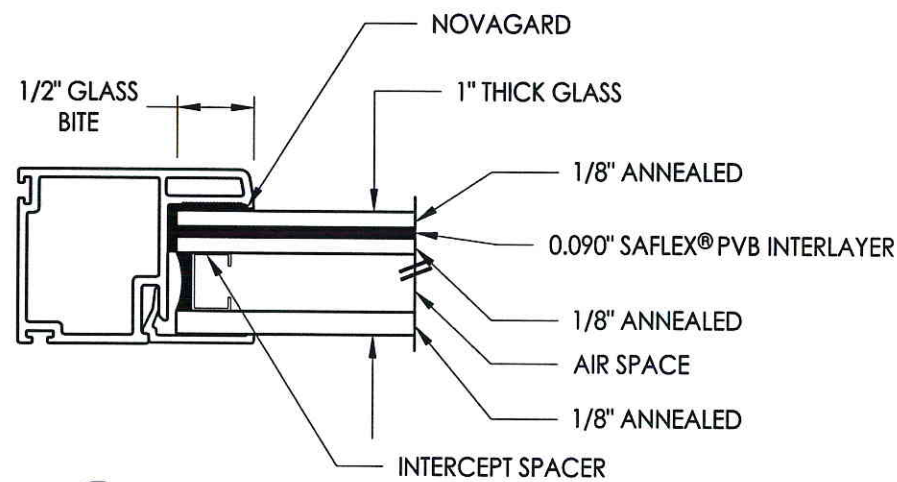
**18** REINFORCEMENT  
Alum.



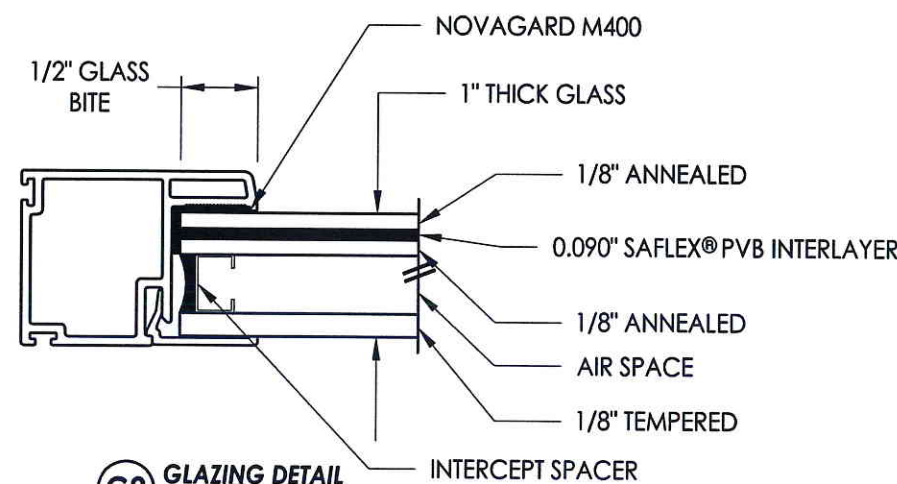
**BILL OF MATERIALS**

ITEM #	DESCRIPTION	MATERIAL
A	1X BUCK SG >= 0.42	WOOD
B	2X BUCK SG >= 0.42	WOOD
C	1/4" MAX. SHIM SPACE	-
D	1/4" X 2-3/4" PFH ELCO OR ITW CONCRETE SCREW	-
E	MASONRY - 3,192 PSI MIN. CONCRETE CONFORMING TO ACI 301 OR HOLLOW BLOCK CONFORMING TO ASTM C90	CONCRETE
F	#8 X 1-3/4" PPH WOOD SCREW	STEEL
G	#8 X 2" PFH WOOD SCREW	STEEL
J	1/4" X 2-1/4" PFH ELCO OR ITW CONCRETE SCREW	STEEL
K	1/4" X 3-1/4" PFH ELCO OR ITW CONCRETE SCREW	STEEL
1	FRAME JAMB*	PVC
2	SILL*	PVC
3	FRAME HEAD*	PVC
5	SASH STILE*	PVC
6	GLAZING BEAD*	PVC
7	KEEPER RAIL UPPER SASH*	PVC
8	REINFORCEMENT (6005-T5)	ALUM
9	LOCK RAIL LOWER SASH*	PVC
11	TOP RAIL UPPER SASH*	PVC
12	BOTTOM RAIL LOWER SASH*	PVC
14	SILL DAM EXTENDER*	PVC
16	WEATHERSTRIP ULTRA FAB .270 PILE - 270 -1875B	-
17	WEATHERSTRIP SILLBULB (AMESBURY 32690)	-
18	REINFORCEMENT (6005-T5)	ALUM
19	HEAD ADAPTER*	PVC
20	LOCK 8513 / 8845 LAWRENCE*	PVC
21	KEEPER 2700/214 LAWRENCE*	PVC
22	#8 X 1" PFH (VINYL LOCK SCREWS)	STEEL
23	#6 X 1-1/2" PFH (VINYL LOCK SCREWS)	STEEL
24	TOP SASH TILT LATCH - ASHLAND*	PVC
25	BOTTOM SASH IMPACT TILT LATCH - ASHLAND	-
26	#8 X 1" PFH SMS	STEEL
27	#10 X 1-1/2" PFH SMS	STEEL
28	PIVOT BAR - CALDWELL	-
28A	PIVOT BAR - STAINLESS STEEL OPTION	-
29	#8 X 1/2" SELF TAPPING PPH SMS	STEEL

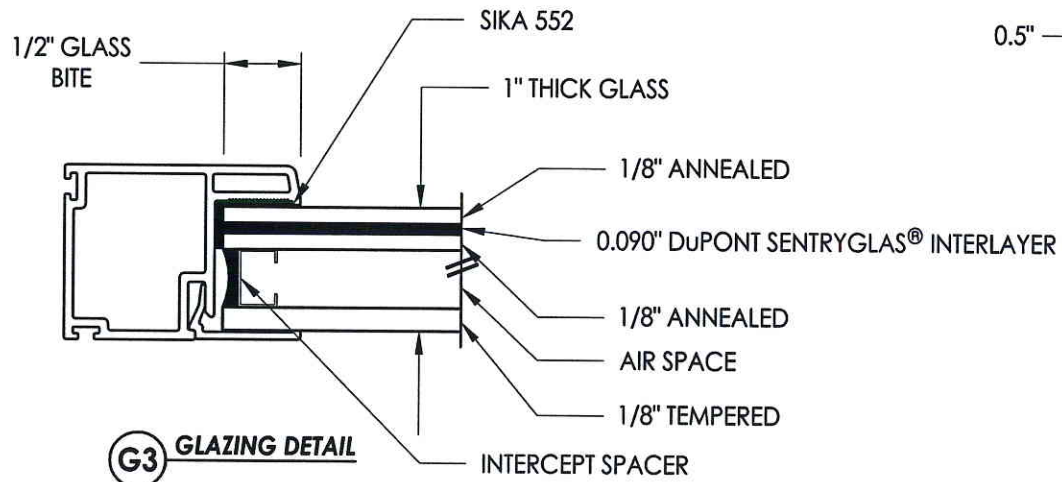
\* THE APPROVED WHITE RIGID PVC EXTERIOR EXTRUSIONS FOR WINDOWS ARE TO BE PRODUCED BY EXTRUDERS LICENSEES IN "AAMA CERTIFICATION PROGRAMS FOR RIGID PVC EXTRUSIONS".



**G1 GLAZING DETAIL**



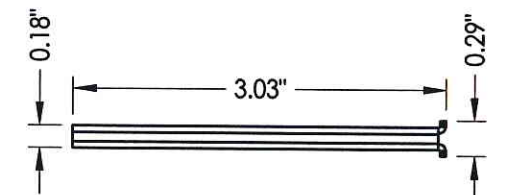
**G2 GLAZING DETAIL**



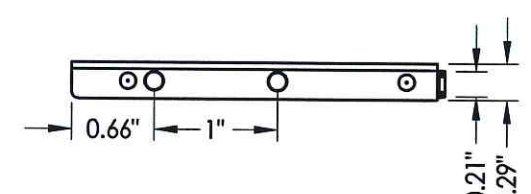
**G3 GLAZING DETAIL**



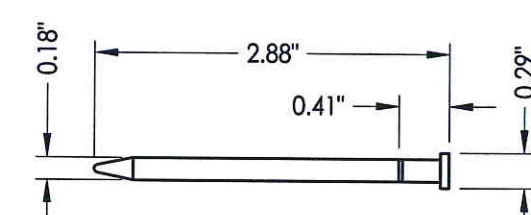
Documents Prepared By: Lyndon F. Schmidt, P.E.  
 TEXAS P.E. #104123  
**RW** BUILDING CONSULTANTS, INC.  
 P.O. Box 230 Valrico FL 33595  
 Phone No.: 813.659.9197  
 TEXAS BOARD OF PROFESSIONAL ENGINEERS  
 CERTIFICATE OF REGISTRATION # F-11852



**28A PIVOT BAR**



**28 PIVOT BAR**



**28 PIVOT BAR**

PRODUCT: 8800 SERIES Vinyl Double Hung Window  
 PART OR ASSEMBLY: BILL OF MATERIALS COMPONENTS & GLAZING DETAILS

NO.	DATE	ADDED	NEW	FRAME	SIZE	BY
1	8/27/13					JK

DATE: 9/10/12  
 SCALE: N.T.S.  
 DWG. BY: JK  
 CHK. BY: LFS  
 DRAWING NO.: TX-4235  
 SHEET 4 OF 4