

| REVISIONS | | | |
|-----------|----------------------|------------|----------|
| REV | DESCRIPTION | DATE | APPROVED |
| B | REVISED PER NEW CODE | 11/15/2021 | R.L. |

NOTES:

1. THE PRODUCT SHOWN HEREIN IS DESIGNED AND MANUFACTURED TO COMPLY WITH REQUIREMENTS OF THE 2018 IBC AND 2018 IRC.
2. WOOD FRAMING AND MASONRY OPENING TO BE DESIGNED AND ANCHORED TO PROPERLY TRANSFER ALL LOADS TO STRUCTURE. FRAMING AND MASONRY OPENING IS THE RESPONSIBILITY OF THE ARCHITECT OR ENGINEER OF RECORD.
3. 1X BUCK OVER MASONRY/CONCRETE IS OPTIONAL. WHERE 1X BUCK IS NOT USED DISSIMILAR MATERIALS MUST BE SEPARATED WITH APPROVED COATING OR MEMBRANE. SELECTION OF COATING OR MEMBRANE IS THE RESPONSIBILITY OF THE ARCHITECT OR ENGINEER OF RECORD.
4. ALLOWABLE STRESS INCREASE OF 1/3 WAS NOT USED IN THE DESIGN OF THE PRODUCT SHOWN HEREIN. WIND LOAD DURATION FACTOR $C_d=1.6$ WAS USED FOR WOOD ANCHOR CALCULATIONS.
5. FRAME MATERIAL: EXTRUDED RIGID PVC.
6. UNITS MUST BE GLAZED PER ASTM E1300, SEE SHEET 2 FOR GLASS DETAILS
7. APPROVED IMPACT PROTECTIVE SYSTEM IS NOT REQUIRED FOR THIS PRODUCT IN WIND BORNE DEBRIS REGIONS.
8. SHIM AS REQUIRED AT EACH INSTALLATION ANCHOR WITH LOAD BEARING SHIM. SHIM WHERE SPACE OF 1/16" OR GREATER OCCURS. MAXIMUM ALLOWABLE SHIM STACK TO BE 1/4".
9. FOR ANCHORING INTO WOOD FRAMING OR 2X BUCK USE #10 WOOD SCREWS WITH SUFFICIENT LENGTH TO ACHIEVE A 1 1/4" MINIMUM EMBEDMENT INTO SUBSTRATE. LOCATE ANCHORS AS SHOWN IN ELEVATIONS AND INSTALLATION DETAILS.
10. FOR ANCHORING INTO MASONRY/CONCRETE USE 3/16" TAPCONS WITH SUFFICIENT LENGTH TO ACHIEVE A 1 1/4" MINIMUM EMBEDMENT INTO SUBSTRATE WITH 2" MINIMUM EDGE DISTANCE. LOCATE ANCHORS AS SHOWN IN ELEVATIONS AND INSTALLATION DETAILS.
11. FOR ANCHORING INTO METAL STRUCTURE USE #10 SMS OR SELF DRILLING SCREWS WITH SUFFICIENT LENGTH TO ACHIEVE 3 THREADS MINIMUM BEYOND STRUCTURE INTERIOR WALL. LOCATE ANCHORS AS SHOWN IN ELEVATIONS AND INSTALLATION DETAILS.
12. ALL FASTENERS TO BE CORROSION RESISTANT.
13. INSTALLATION ANCHORS SHALL BE INSTALLED IN ACCORDANCE WITH ANCHOR MANUFACTURER'S INSTALLATION INSTRUCTIONS AND ANCHORS SHALL NOT BE USED IN SUBSTRATES WITH STRENGTHS LESS THAN THE MINIMUM STRENGTH SPECIFIED BELOW:
 - A. WOOD – MINIMUM SPECIFIC GRAVITY OF $G=0.42$
 - B. CONCRETE – MINIMUM COMPRESSIVE STRENGTH OF 3,192 PSI.
 - C. MASONRY – STRENGTH CONFORMANCE TO ASTM C-90, GRADE N, TYPE 1 (OR GREATER).
 - D. METAL STRUCTURE: STEEL 18GA, 33KSI OR ALUMINUM 6063-T5 1/8" THICK MINIMUM

SIGNED: 11/15/2021

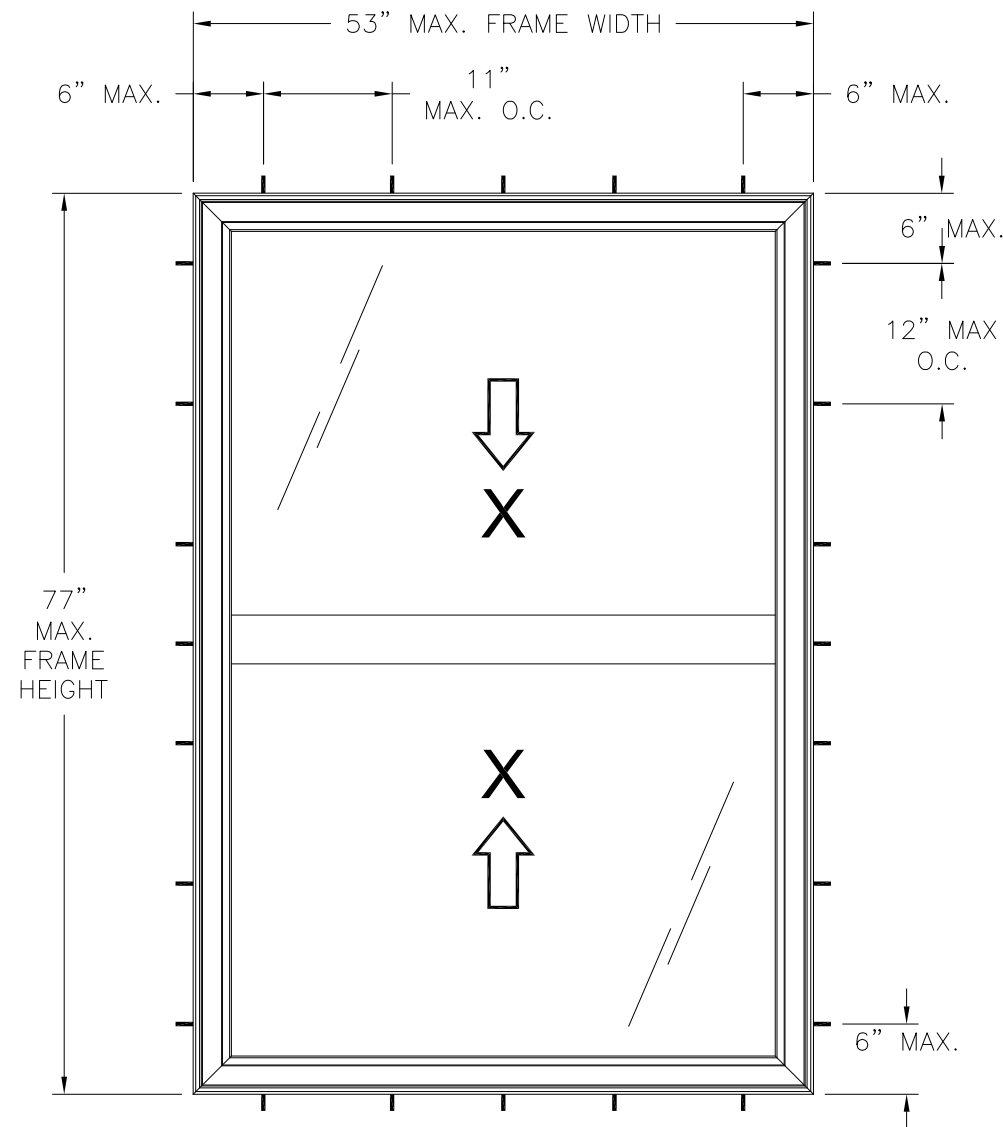
| TABLE OF CONTENTS | |
|-------------------|------------------------------|
| SHEET NO. | DESCRIPTION |
| 1 | NOTES |
| 2 | ELEVATION AND GLAZING DETAIL |
| 3 - 4 | INSTALLATION DETAILS |

| | | |
|---|---------------------|--------------|
| REGENCY PLUS, INC. 2000 LOCUST GAP HIGHWAY MT. CARMEL, PA 17851 | | |
| SERIES 6412 VINYL HORIZONTAL SLIDING WINDOW 74" X 63" – IMPACT NOTES | | |
| DRAWN: V.L. | DWG NO. 08-01715 | REV B |
| SCALE NTS | DATE 09/17/12 | SHEET 1 OF 4 |
| L. ROBERTO LOMAS P.E. 1432 WOODFORD RD LEWISVILLE, NC 27023 434-688-0609 rllomas@rlomaspe.com | | |



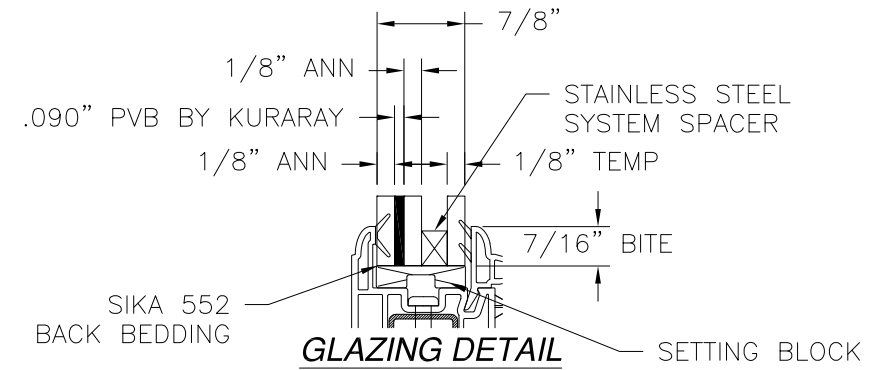
Luis R. Lomas P.E.
TX No.: 101889

| REVISIONS | | | |
|-----------|----------------------|------------|----------|
| REV | DESCRIPTION | DATE | APPROVED |
| B | REVISED PER NEW CODE | 11/15/2021 | R.L. |



NOTES:

1. MAXIMUM TOP SASH SIZE: 49" X 36 3/4"
2. MAXIMUM BOTTOM SASH SIZE: 50" X 36 3/4"
3. MAXIMUM TOP D.L.O.: 45 1/2" X 33 1/4"
4. MAXIMUM BOTTOM D.L.O.: 46 1/2" X 33 1/4"



SERIES 6312 VINYL DOUBLE HUNG WINDOW
EXTERIOR VIEW

| DESIGN PRESSURE RATING | IMPACT RATING |
|------------------------|--------------------------------|
| +45.0/-50.0 | LARGE AND SMALL MISSILE IMPACT |

MISSILE LEVEL D, WIND ZONE 4

SIGNED: 11/15/2021

REGENCY PLUS, INC.

2000 LOCUST GAP HIGHWAY
MT. CARMEL, PA 17851

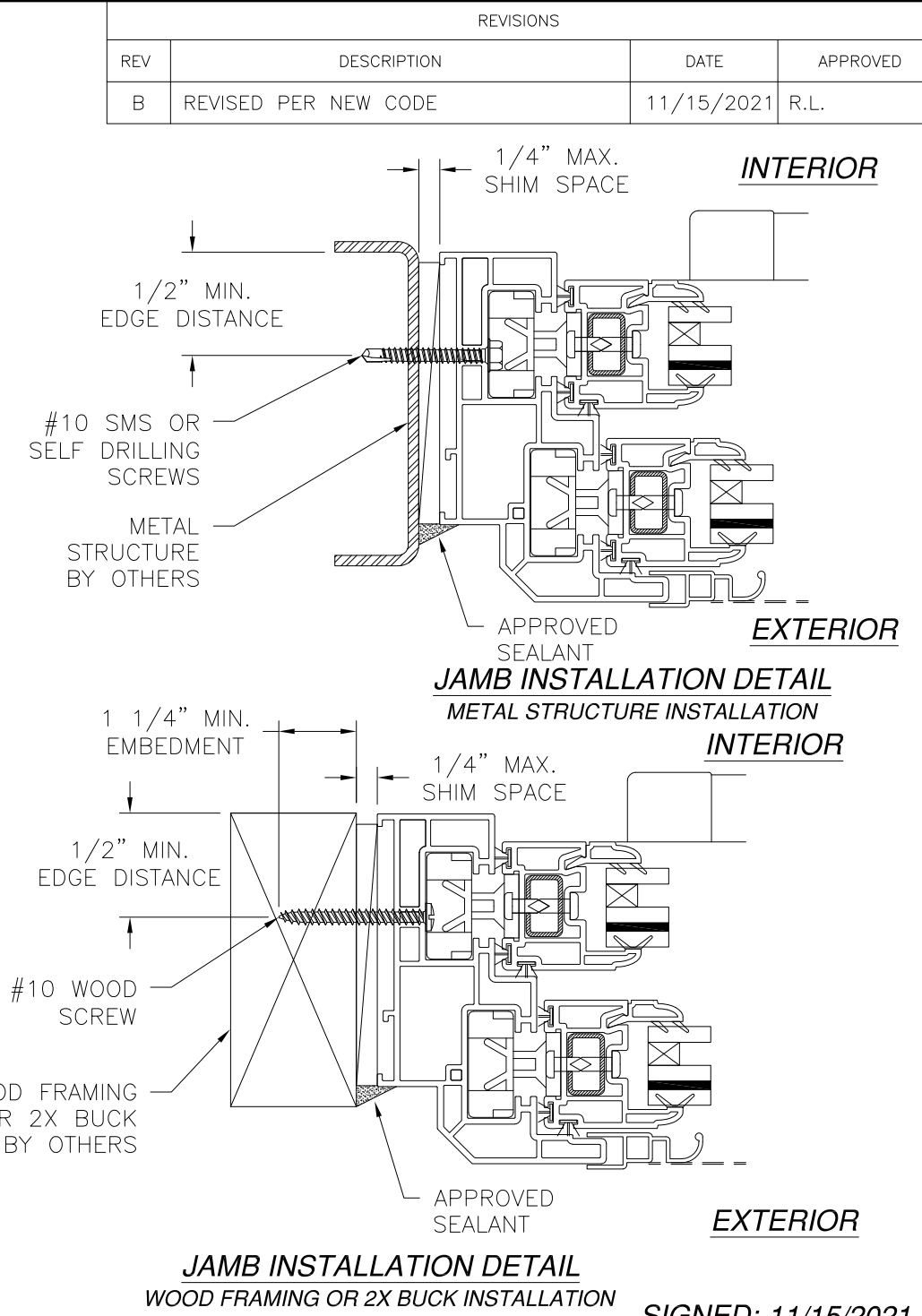
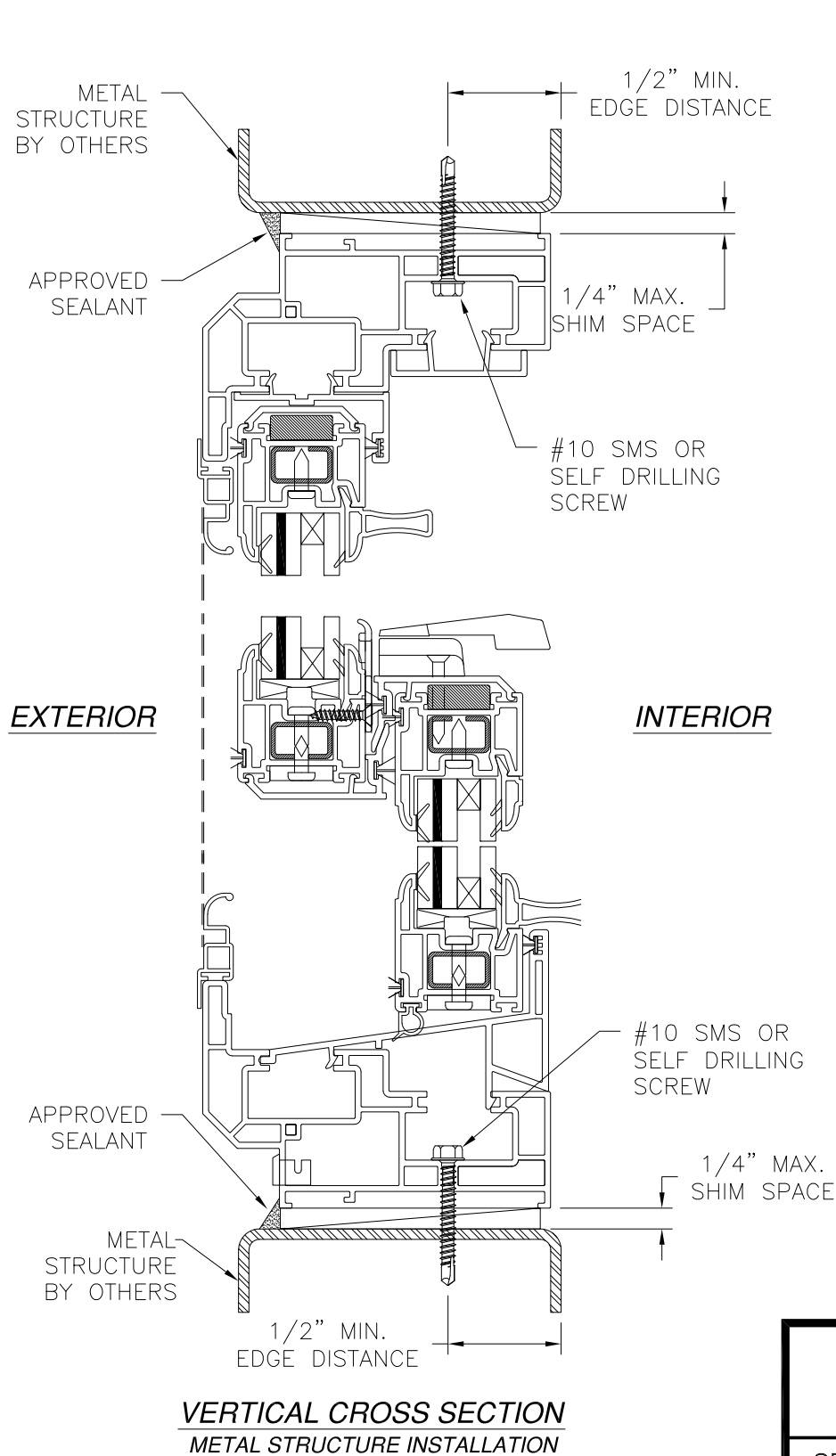
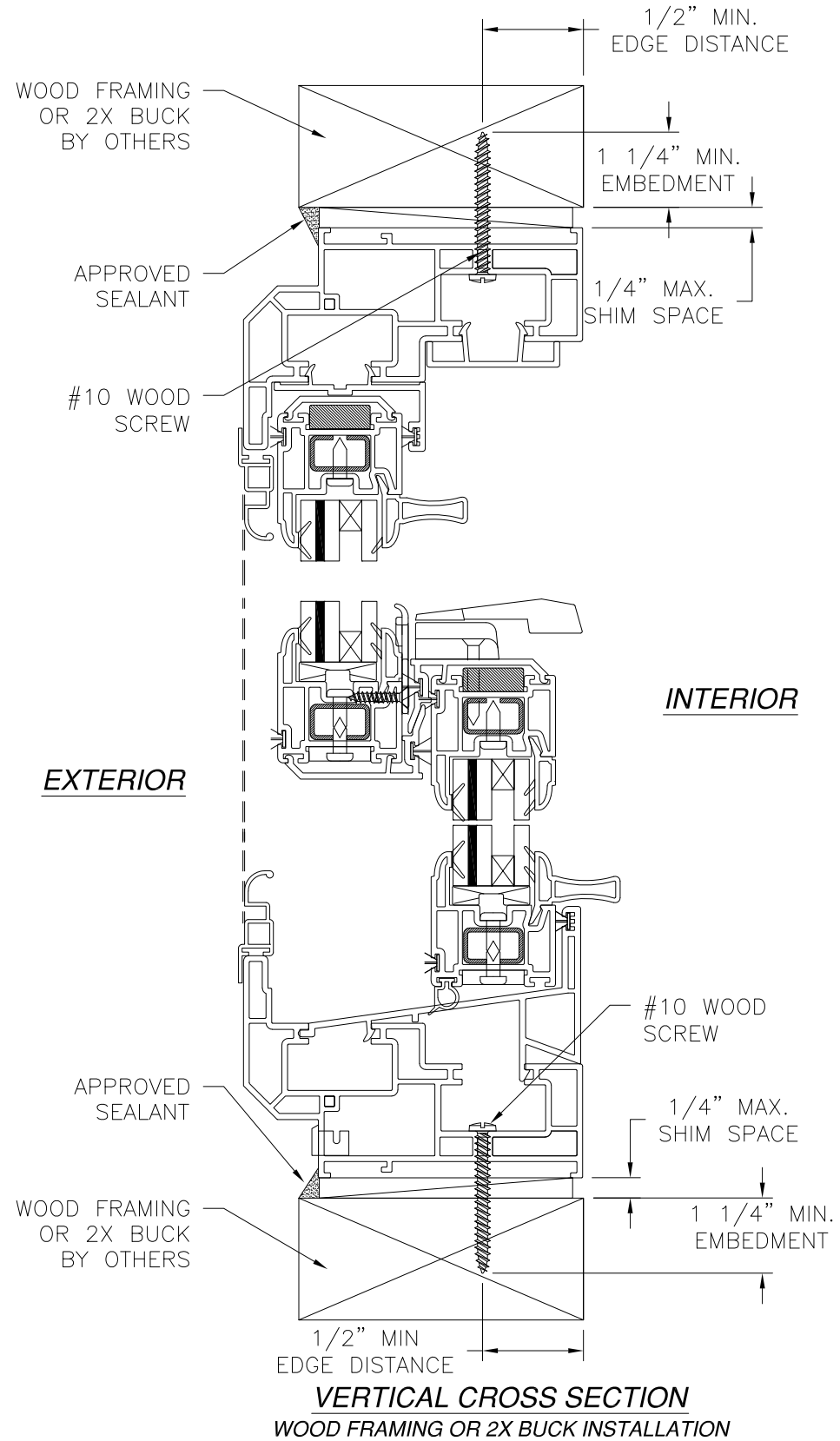
SERIES 6412 VINYL HORIZONTAL SLIDING WINDOW
74" X 63" - IMPACT
ELEVATION AND GLAZING DETAIL

| | | |
|----------------|---------------------|-----------------|
| DRAWN: V.L. | DWG NO. 08-01715 | REV B |
| SCALE NTS | DATE 09/17/12 | SHEET 2 OF 4 |

L. ROBERTO LOMAS P.E.
1432 WOODFORD RD LEWISVILLE, NC 27023
434-688-0609 rllomas@rlomaspe.com



Luis R. Lomas P.E.
TX No.: 101889



- NOTES:**
1. INTERIOR AND EXTERIOR FINISHES, BY OTHERS, NOT SHOWN FOR CLARITY.
 2. PERIMETER AND JOINT SEALANT BY OTHERS TO BE DESIGNED IN ACCORDANCE WITH ASTM E2112

REGENCY PLUS, INC.
 2000 LOCUST GAP HIGHWAY
 MT. CARMEL, PA 17851

SERIES 6412 VINYL HORIZONTAL SLIDING WINDOW
 74" X 63" – IMPACT
 INSTALLATION DETAILS

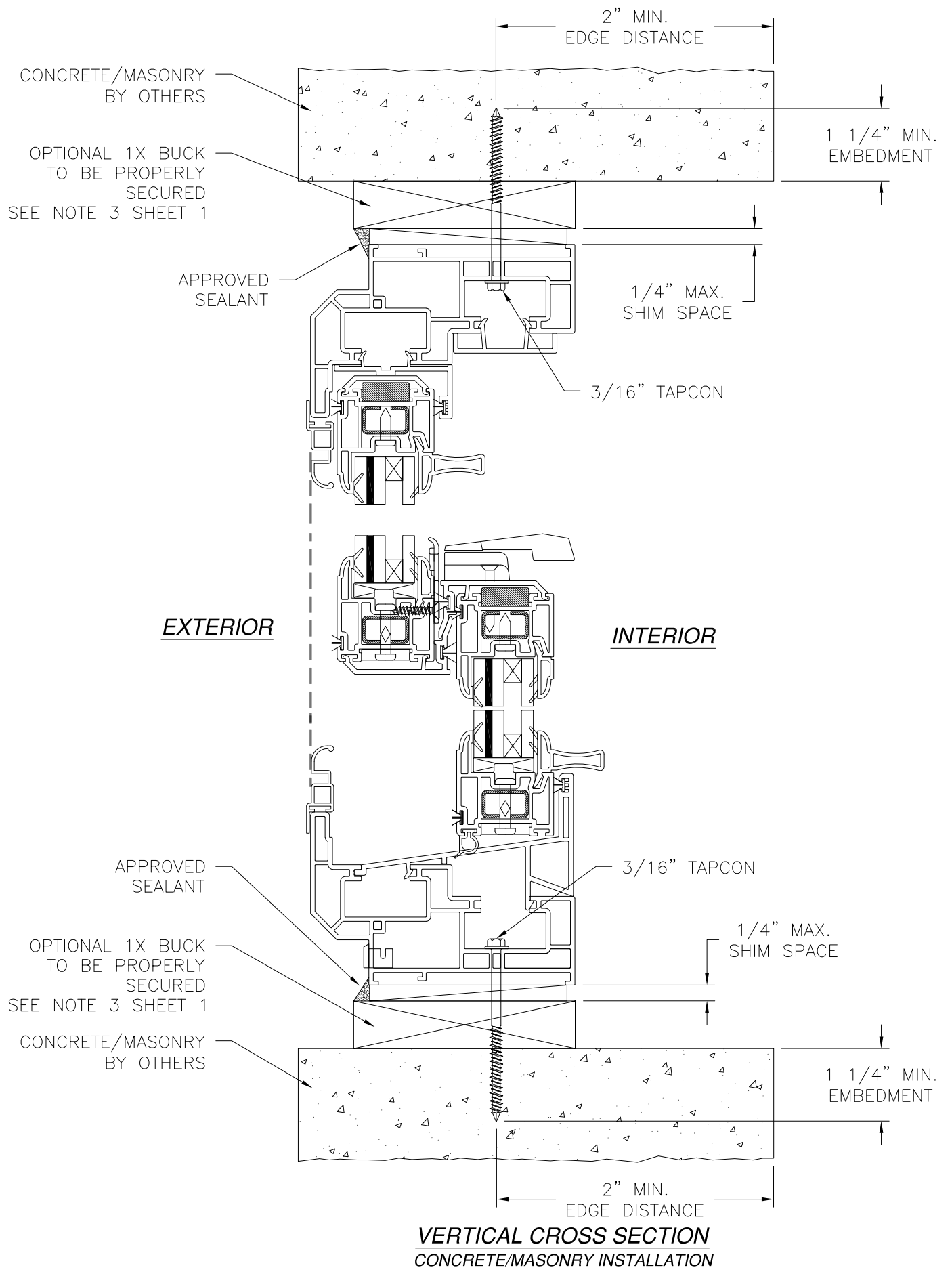
| | | |
|----------------|---------------------|-----------------|
| DRAWN: V.L. | DWG NO. 08-01715 | REV B |
| SCALE NTS | DATE 09/17/12 | SHEET 3 OF 4 |

L. ROBERTO LOMAS P.E.
 1432 WOODFORD RD LEWISVILLE, NC 27023
 434-688-0609 rllomas@rlomaspe.com

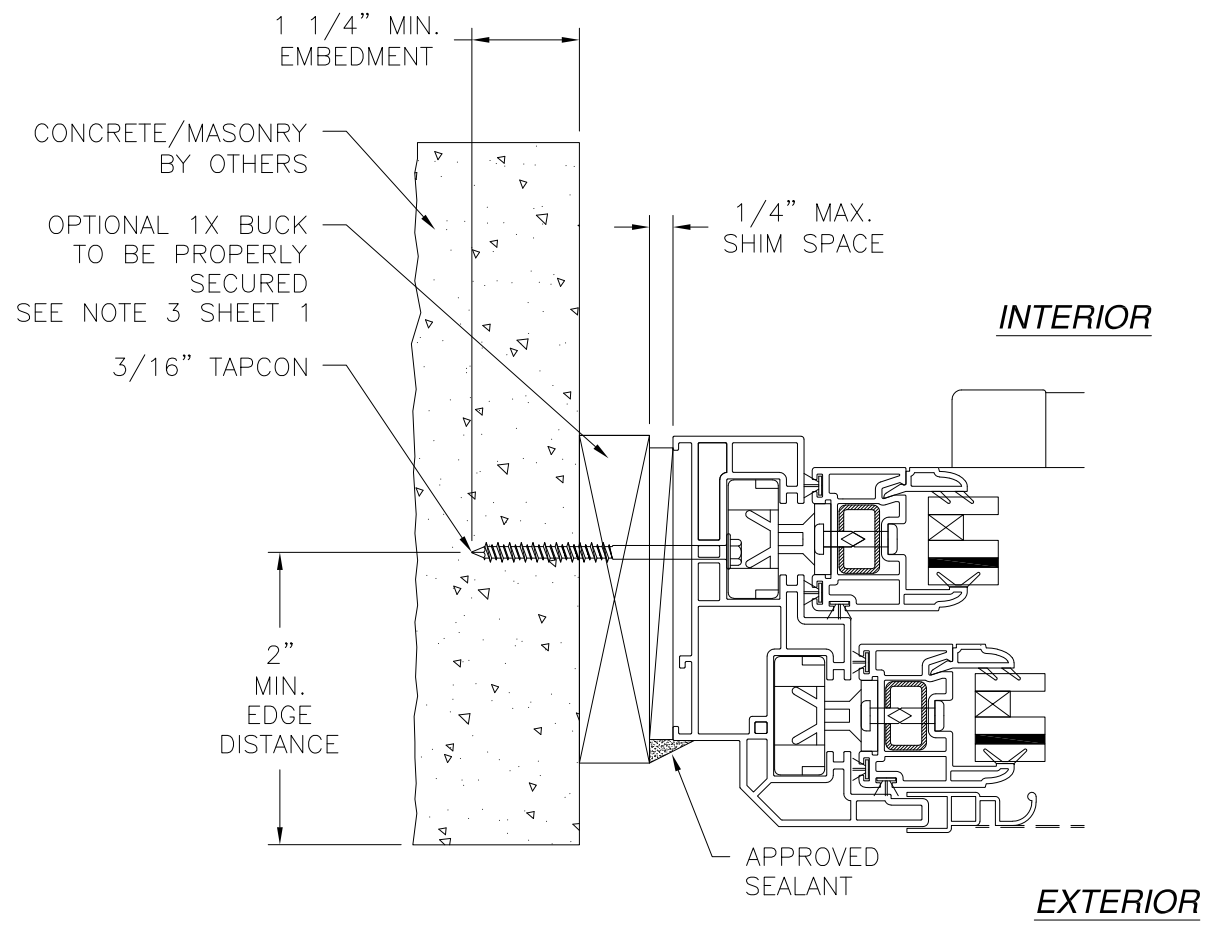


Luis R. Lomas P.E.
 TX No.: 101889

| REVISIONS | | | |
|-----------|----------------------|------------|----------|
| REV | DESCRIPTION | DATE | APPROVED |
| B | REVISED PER NEW CODE | 11/15/2021 | R.L. |



VERTICAL CROSS SECTION
CONCRETE/MASONRY INSTALLATION



JAMB INSTALLATION DETAIL
CONCRETE/MASONRY INSTALLATION

- NOTES:**
1. INTERIOR AND EXTERIOR FINISHES, BY OTHERS, NOT SHOWN FOR CLARITY.
 2. PERIMETER AND JOINT SEALANT BY OTHERS TO BE DESIGNED IN ACCORDANCE WITH ASTM E2112

SIGNED: 11/15/2021

REGENCY PLUS, INC.
2000 LOCUST GAP HIGHWAY
MT. CARMEL, PA 17851

SERIES 6412 VINYL HORIZONTAL SLIDING WINDOW
74" X 63" – IMPACT
INSTALLATION DETAILS

| | | |
|----------------|---------------------|--------------|
| DRAWN: V.L. | DWG NO. 08-01715 | REV B |
| SCALE NTS | DATE 09/17/12 | SHEET 4 OF 4 |

L. ROBERTO LOMAS P.E.
1432 WOODFORD RD LEWISVILLE, NC 27023
434-688-0609 rllomas@rlomaspe.com



Luis R. Lomas P.E.
TX No.: 101889