

GENERAL NOTES:

- ALL FASTENERS SHALL BE IN ACCORDANCE WITH THESE DRAWINGS. SPECIFIED ANCHOR EMBED TO BASE MATERIAL SHALL BE BEYOND WALL FINISH OR STUCCO.
- OPENINGS, BUCKING & BUCKING FASTENERS MUST BE PROPERLY DESIGNED & INSTALLED TO TRANSFER WIND LOADS TO THE STRUCTURE.
- THESE NON-IMPACT RATED PRODUCT INSTALLATIONS ARE IN ACCORDANCE WITH AND MEET THE REQUIREMENTS OF THE 2018 INTERNATIONAL BUILDING CODE (IBC).
- ALL ANCHORS SECURING PRODUCT FRAME TO PRESSURE TREATED BUCKS OR WOOD FRAMING SHALL BE CAPABLE OF RESISTING CORROSION CAUSED BY THE PRESSURE TREATING CHEMICALS IN THE WOOD.
- TO THE BEST OF OUR KNOWLEDGE, THE PRODUCT SHOWN HEREIN IS CERTIFIED & QUALITY ASSURED BY A NATIONALLY ACCREDITED CERTIFICATION/QA ENTITY & SHALL BE LABELED IN ACCORDANCE WITH CERTIFICATION/QA ENTITIES SPECIFICATIONS. PRODUCT ASSEMBLY IS NOT PART OF THIS DRAWING AND SHALL BE IN ACCORDANCE WITH THE MANUFACTURER'S QUALITY ASSURANCE SPECIFICATIONS & TESTING REPORTS.
- CERTIFICATION OF THESE PRODUCT INSTALLATIONS SHALL BE CONSIDERED VOID IF ANY OF THE FOLLOWING APPLY:
 1) THEY ARE INSTALLED WITHOUT A BUILDING PERMIT FROM THE APPLICABLE LOCAL BUILDING DEPARTMENT. 2) IF THEY ARE INSTALLED BY ANYONE OTHER THAN A LICENSED CONTRACTOR EXPERIENCED WITH WINDOW/DOOR INSTALLATIONS. 3) IF CHANGES HAVE OCCURRED TO THE PRODUCT'S CERTIFICATION ENTITY'S CERTIFICATE THAT CAUSE THESE INSTALLATIONS TO BE INCORRECT OR INCONSISTENT WITH WHAT HAS BEEN TESTED.
- THE LEAST DESIGN PRESSURE SPECIFIED EITHER IN THIS DRAWING OR IN THE PRODUCTS CERTIFICATION SHALL CONTROL FOR THE INSTALLED PRODUCT.
- THESE DRAWINGS CERTIFY THE PRODUCT INSTALLATION ONLY. WATER PROOFING OF THE INSTALLED PRODUCT IS NOT PART OF THIS INSTALLATION CERTIFICATION. THAT RESPONSIBILITY SHALL BE THAT OF THE MANUFACTURER &/OR INSTALLER.

INSTALLATION EVALUATION IS BASED ON APPLICABLE ANCHOR STANDARDS AND/OR INFORMATION & RESULTS FROM APPLICABLE TEST REPORTS. THE BUILDING CODE VERSION CONSIDERED WITH THE EVALUATION WAS THAT IN FORCE AT THE TIME OF THE EVALUATION. IN THE EVENT OF CODE VERSION CHANGES/UPDATES OR IN THE EVENT THAT NEW OR ADDITIONAL TESTING IS COMPLETED ON THE REFERENCED PRODUCT, PRIOR TO STATING CODE COMPLIANCE, THE MANUFACTURER SHALL CONFIRM WITH THE INSTALLATION EVALUATION ENGINEER OF RECORD THAT THE INSTALLATIONS SPECIFIED HERE-IN ARE CURRENT WITH THE THEN CURRENT TESTING, CODE AND APPLICABLE STANDARDS.

FRAME ANCHOR REQUIREMENTS TABLE

(3) FRAME SCREWS

OPENING TYPE (SUBSTRATE)	FRAME TO OPENING FASTENER TYPE	MINIMUM EMBED	MINIMUM EDGE DIST.
MIN. 2X4 WOOD FRAME OR BUCK (MIN. GR. 3 & G=0.55)	NO. 10 SMS OR WOOD SCREW	1 1/4"	3/4"
MIN. 18 GA. 33 KSI METAL STUD	NO. 10 GR. 5 SELF TAP/DRILL SCREW	FULL	1/2"
MIN. 1/8" THK A36 STEEL	NO. 10 GR. 5 SELF TAP/DRILL SCREW	FULL	1/2"
MIN. 1/8" THK 6063-T5 ALUM.	NO. 10 GR. 5 SELF TAP/DRILL SCREW	FULL	1/2"
C-90 CMU/2500 PSI CONCRETE	(1) 1/4" CONCRETE SCREW	1 1/4"	2"

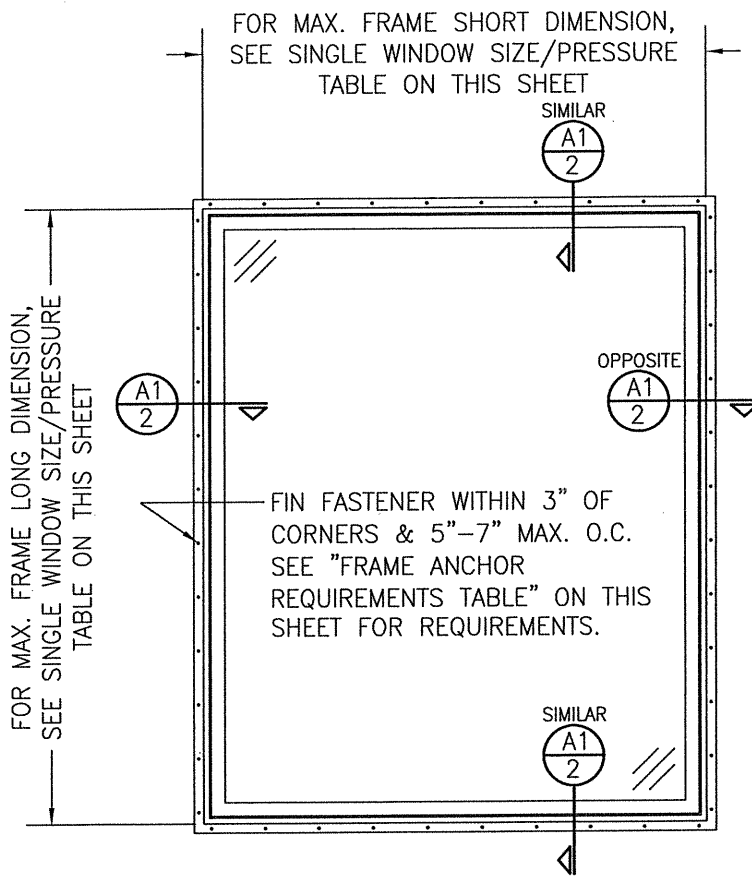
(2) NAILING FIN FASTENERS

MIN. 2X4 WOOD FRAME OR BUCK (MIN. GR. 3 & G=0.55)	NO. 8 SMS OR WOOD SCREW	1 3/8"	1/2"
MIN. 2X4 WOOD FRAME OR BUCK (MIN. GR. 3 & G=0.55)	2" X 11 GA. ROOFING NAIL	1 7/8"	1/2"
MIN. 1/8" THK A36 STEEL	NO. 8 GR. 5 SELF TAP/DRILL SCREW	FULL	1/2"
MIN. 1/8" THK 6063-T5 ALUM.	NO. 8 GR. 5 SELF TAP/DRILL SCREW	FULL	1/2"

INSTALLATION CLIP SCREWS

MIN. 2X4 WOOD FRAME OR BUCK (MIN. GR. 3 & G=0.55)	NO. 8 SMS SCREW	1 1/4"	1/2"
MIN. 18 GA. 33 KSI METAL STUD	NO. 8 GR. 5 SELF TAP/DRILL SCREW	FULL	1/2"
MIN. 1/8" THK A36 STEEL	NO. 8 GR. 5 SELF TAP/DRILL SCREW	FULL	1/2"
MIN. 1/8" THK 6063-T5 ALUM.	NO. 8 GR. 5 SELF TAP/DRILL SCREW	FULL	1/2"

- CONCRETE SCREWS SHALL BE ELCO ULTRACONS (C.S.), ELCO CRETE-FLEX (S.S.), ITW RAMSET/RED HEAD TAPCONS (C.S. OR S.S.) OR HILTI KWIK-CON II (C.S OR S.S.).
- WHEN SCREWS ARE USED WITH THE NAIL FIN, THEY MUST BE A WAFFLE HEAD SCREW OR HAVE A FLAT WASHER AT THE SCREW HEAD.
- FRAME SCREWS MUST BE A PAN OR HEX HEAD SCREW.

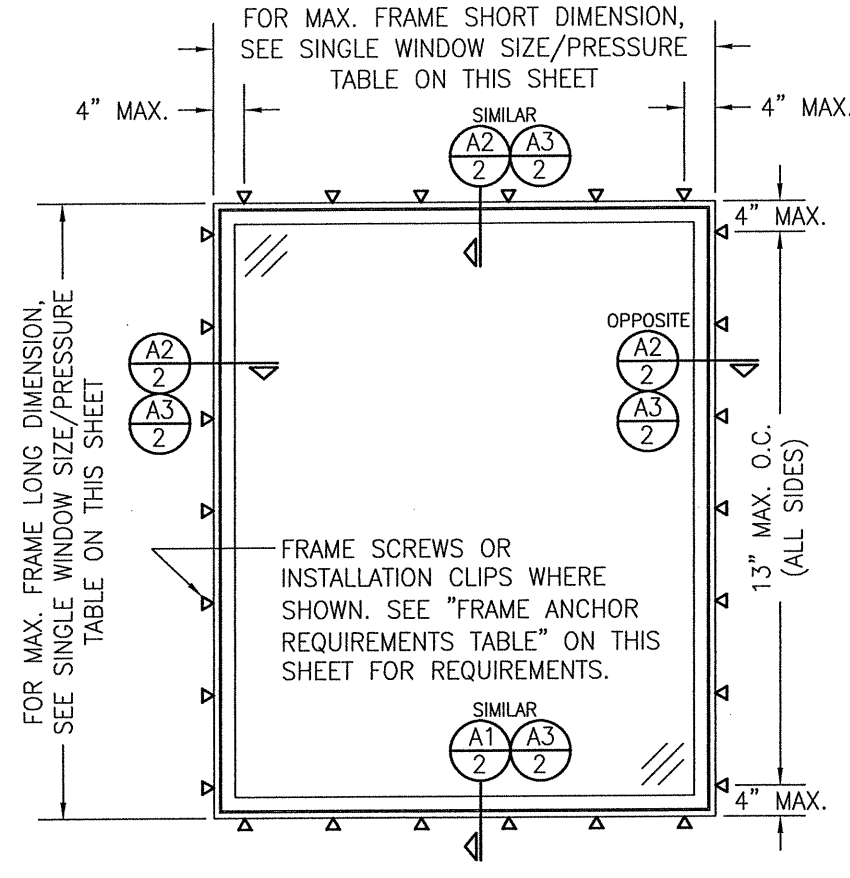


EXTERIOR ELEVATION: SINGLE WINDOW

SCALE: 3/4" = 1'-0"
 (NAIL FIN MOUNT CONDITION)
 LONG DIMENSION OF WINDOW MAY BE HORIZONTAL OR VERTICAL (HEIGHT & WIDTH MAY BE INTERCHANGED)

CONDITIONS SHOWN ON THIS DRAWING ARE GOVERNED BY INSTALLATION REQUIREMENTS ONLY. THE GOVERNING CONDITIONS ON ANY SPECIFIC WINDOW SHALL BE THE LESSER OF THOSE SPECIFIED IN THE WINDOWS TDI APPROVAL OR THAT SHOWN IN THESE DRAWINGS.

ALTERNATE ANCHOR/SUBSTRATE EVALUATION NOTE:
 ALL ALTERNATE ANCHORS IN THEIR SPECIFIED SUBSTRATES HAVE BEEN ANALYZED IN ACCORDANCE WITH THEIR APPLICABLE STANDARD(S) AND ARE FOUND TO BE EQUIVALENT TO OR STRONGER THAN THE ANCHOR(S) USED IN TESTING WITH THIS PRODUCT.

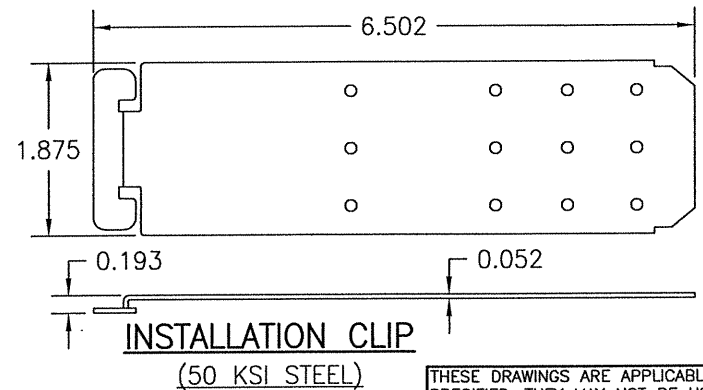
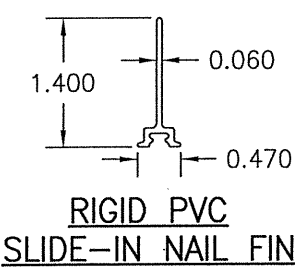


EXTERIOR ELEVATION: SINGLE WINDOW

SCALE: 3/4" = 1'-0"
 (FRAME SCREW OR INSTALLATION CLIP MOUNT CONDITION)
 LONG DIMENSION OF WINDOW MAY BE HORIZONTAL OR VERTICAL (HEIGHT & WIDTH MAY BE INTERCHANGED)

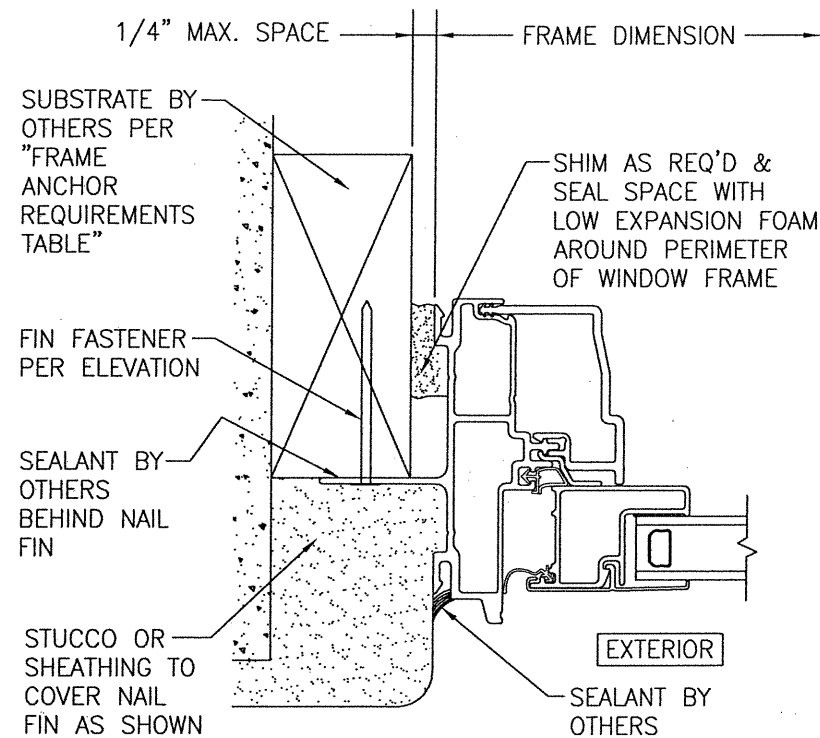
ALLOWABLE SINGLE WINDOW SIZE/PRESSURE TABLE

MAXIMUM FRAME LONG DIMENSION (IN.)	MAXIMUM FRAME SHORT DIMENSION (IN.)	ALLOWABLE PRESSURE	
		NAIL FIN MOUNT (+/- PSF)	CLIP OR FRAME SCREW MOUNT (+/- PSF)
79 1/2	71 1/2	45	50
79 1/2	59 1/2	50	50



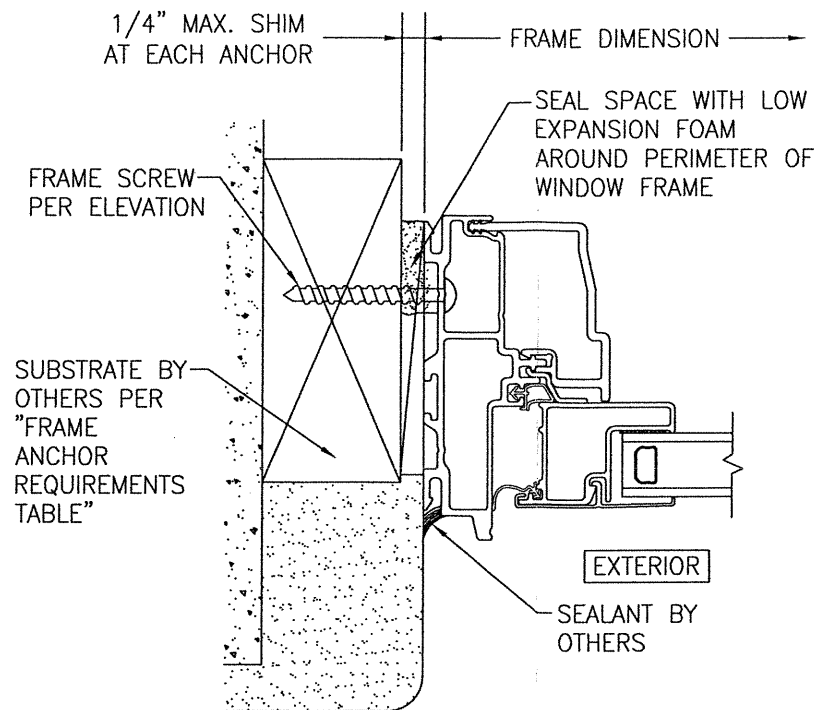
THESE DRAWINGS ARE APPLICABLE ONLY TO THE PRODUCT SPECIFIED. THEY MAY NOT BE USED FOR THE ASSEMBLY AND/OR INSTALLATION OF ANY OTHER PRODUCT NOR MAY THEY BE USED FOR RATIONAL AND/OR LOCAL APPROVAL OF ANY PRODUCT NOT PRODUCED BY THE MANUFACTURER STATED ON THESE DRAWINGS.

DRAWN BY: W.W.S.	CHECKED BY: W.W.S.
PLOT: 1=24	DATE: 07/08/14
DATE: 07/28/19	
BY: W.W.S.	
REVISION DESCRIPTION	
NO. A1	CHANGE FRAME PROFILE
JOB INFORMATION: PELLA CORPORATION 102 MAIN STREET PELLA, IA 50219 641-621-1000	
DRAWING TITLE: IMPERVIA NON-IMPACT FIXED CASEMENT WINDOW	
CONSULTANTS: W. W. SCHAEFER ENGINEERING & CONSULTING, P.A. (REG. NO. F-14980) 7480 150TH COURT NORTH PALM BEACH GARDENS, FL 33418 PHONE: 561-744-3424	
DRAWING NO. 1677T SHEET NO. 1 OF 2	



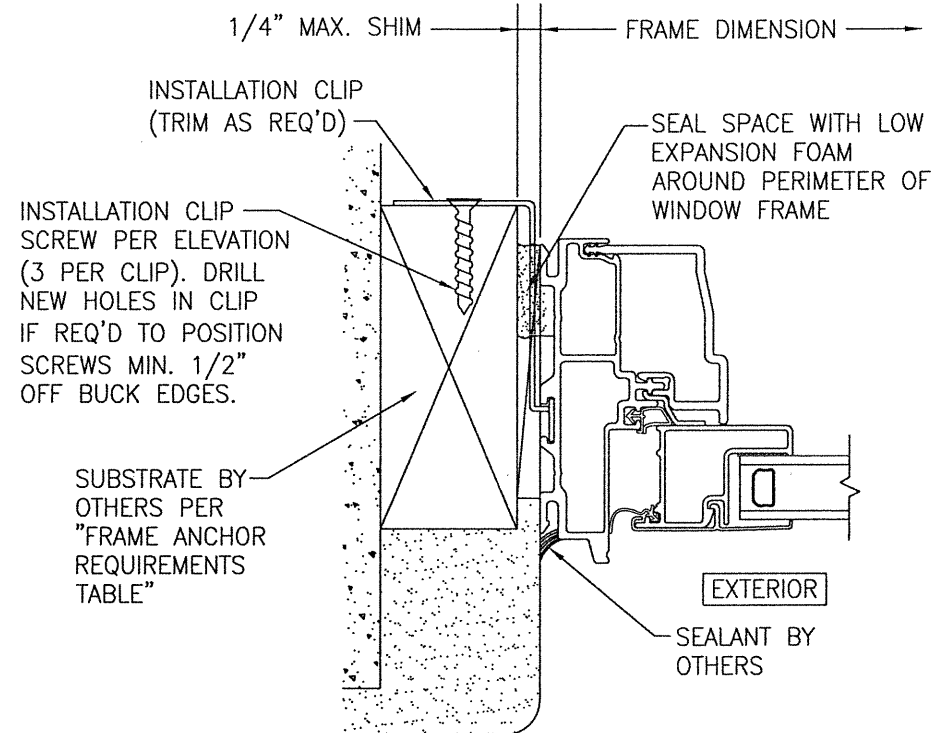
SECTION A1
SCALE: 1/2 FULL

INTEGRAL NAIL FIN MOUNT CONDITION SHOWN. SEE DETAIL ON THIS SHEET FOR SLIDE-IN NAIL FIN MOUNT CONDITION.

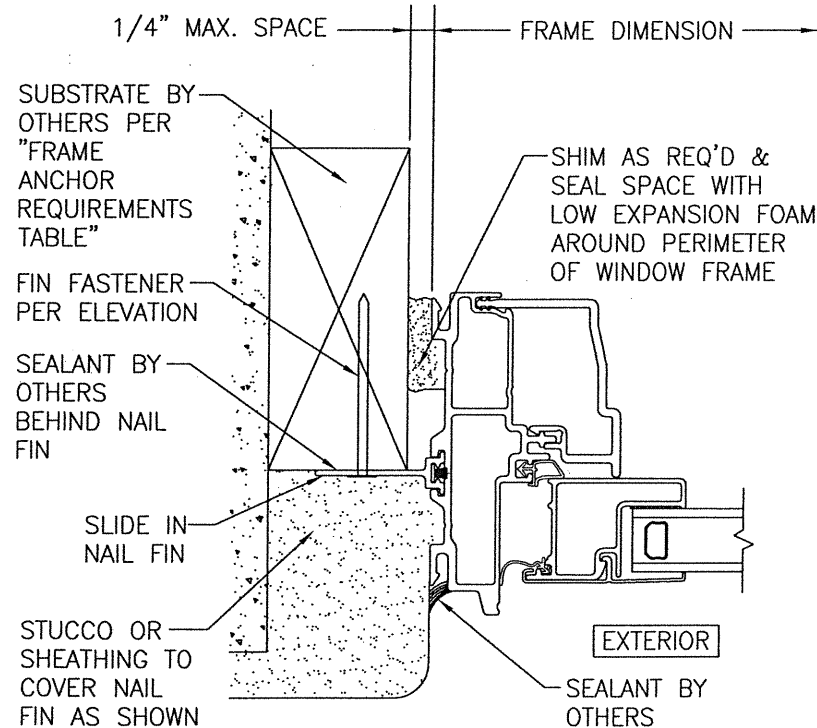


SECTION A2
SCALE: 1/2 FULL

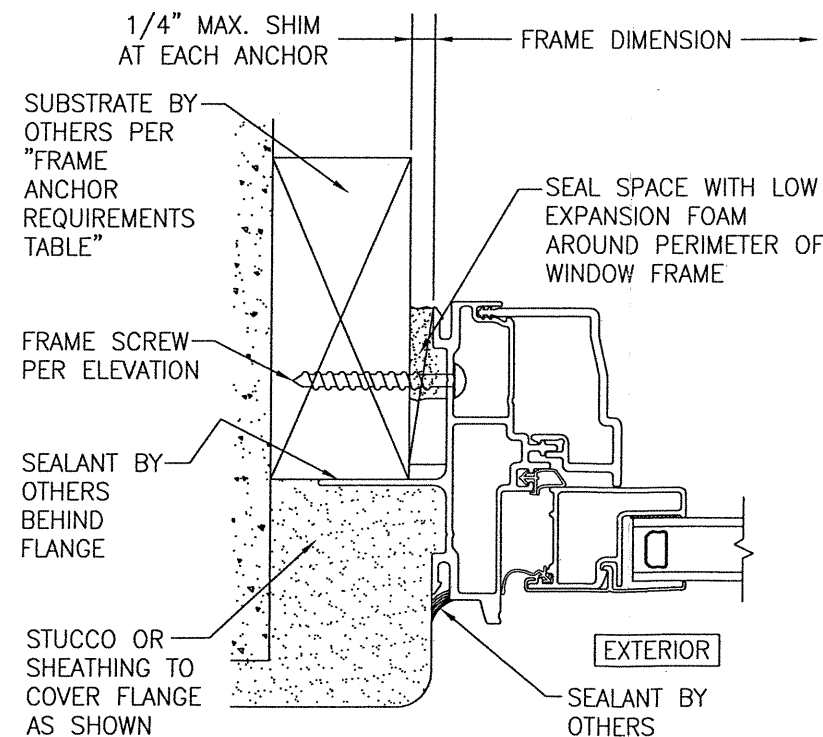
TYPICAL FRAME SCREW MOUNT CONDITION SHOWN. SEE DETAILS ON THIS SHEET FOR FLANGED FRAME, SCREW MOUNT & DIRECT MOUNT CONDITIONS.



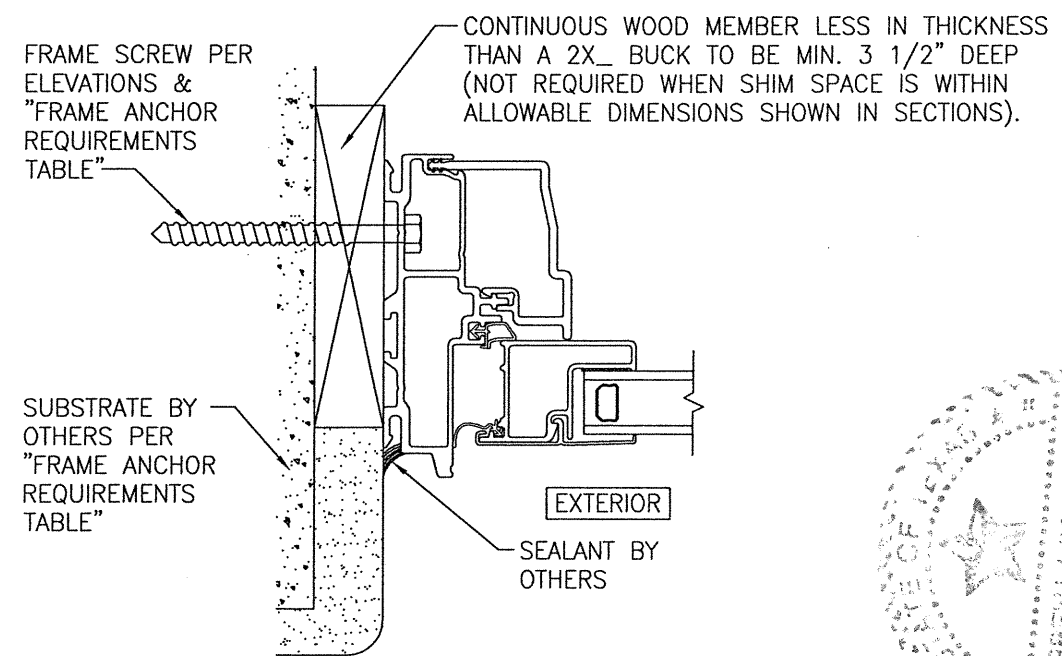
SECTION A3
SCALE: 1/2 FULL
(INSTALLATION CLIP MOUNT CONDITION)



OPTIONAL SLIDE-IN NAIL FIN INSTALLATION DETAIL
(SIDE SECTION SHOWN. HEAD & SILL ARE INSTALLED THE SAME.)



OPTIONAL FLANGED FRAME INSTALLATION DETAIL
(SIDE SECTION SHOWN. HEAD & SILL ARE INSTALLED THE SAME.)



OPTIONAL DIRECT MOUNT DETAIL
TO SUBSTRATE WITH SPACER
(SIDE SECTION SHOWN. HEAD & SILL ARE INSTALLED THE SAME.)

DRAWN BY: W.W.S.	CHECKED BY: W.W.S.
PLOT: 1=2	DATE: 07/08/14

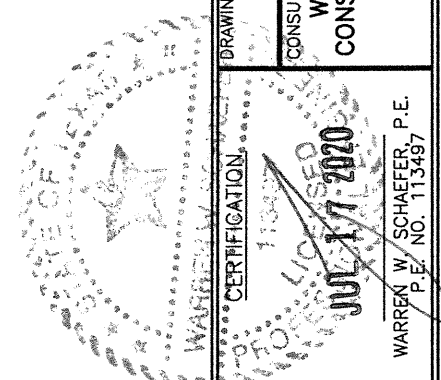
NO.	REVISION DESCRIPTION	DATE	BY

PELLA CORPORATION
102 MAIN STREET
PELLA, IA 50219
641-621-1000



IMPERVIA NON-IMPACT FIXED CASEMENT WINDOW

CONSULTANTS
W. W. SCHAEFER ENGINEERING & CONSULTING, P.A. (REG. NO. F-14980)
7480 150TH COURT NORTH
PALM BEACH GARDENS, FL 33418
PHONE: 561-744-3424



CERTIFICATION
WARREN W. SCHAEFER, P.E.
P.E. NO. 113497

DRAWING NO. 1677T	REV. A
SHEET NO. 2 OF 2	