

REVISIONS			
REV	DESCRIPTION	DATE	APPROVED

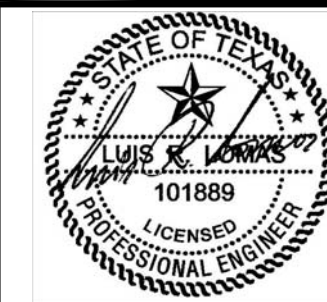
NOTES:

1. THE PRODUCT SHOWN HEREIN IS DESIGNED AND MANUFACTURED TO COMPLY WITH REQUIREMENTS OF THE 2006 IBC AND THE 2006 IRC WITH STATE OF TEXAS MODIFICATIONS AND WITH THE 2009 IBC, 2009 IRC, 2012 IBC, 2012 IRC, 2015 IBC AND 2015 IRC.
2. WOOD FRAMING AND MASONRY OPENING TO BE DESIGNED AND ANCHORED TO PROPERLY TRANSFER ALL LOADS TO STRUCTURE. FRAMING AND MASONRY OPENING IS THE RESPONSIBILITY OF THE ARCHITECT OR ENGINEER OF RECORD.
3. 1X BUCK OVER MASONRY/CONCRETE IS OPTIONAL.
4. WHERE SHIM OR BUCK THICKNESS IS LESS THAN 1-1/2" WINDOW UNITS MUST BE ANCHORED THROUGH THE FRAME IN ACCORDANCE WITH MANUFACTURER'S PUBLISHED INSTALLATION INSTRUCTIONS. ANCHORS SHALL BE SECURELY FASTENED DIRECTLY INTO MASONRY, CONCRETE OR OTHER STRUCTURAL SUBSTRATE MATERIAL.
5. WHERE WOOD BUCK THICKNESS IS 1-1/2" OR GREATER, BUCK SHALL BE SECURELY FASTENED TO MASONRY, CONCRETE OR OTHER STRUCTURAL SUBSTRATE. WINDOW UNITS MAY BE ANCHORED THROUGH FRAME TO SECURED WOOD BUCK IN ACCORDANCE WITH MANUFACTURER'S PUBLISHED INSTALLATION INSTRUCTIONS.
6. WHERE 1X BUCK IS NOT USED DISSIMILAR MATERIALS MUST BE SEPARATED WITH APPROVED COATING OR MEMBRANE. SELECTION OF COATING OR MEMBRANE IS THE RESPONSIBILITY OF THE ARCHITECT OR ENGINEER OF RECORD.
7. BUCKS SHALL EXTEND BEYOND WINDOW INTERIOR FACE SO THAT FULL FRAME SUPPORT IS PROVIDED.
8. SHIM AS REQUIRED AT EACH ANCHOR LOCATION WITH LOAD BEARING SHIM. SHIM WHERE SPACE OF 1/16" OR GREATER OCCURS. MAXIMUM ALLOWABLE SHIM STACK TO BE 1/4".
9. SHIMS SHALL BE LOCATED, APPLIED AND MADE FROM MATERIALS AND THICKNESS CAPABLE OF SUSTAINING APPLICABLE LOADS.
10. WIND LOAD DURATION FACTOR Cd=1.6 WAS USED FOR WOOD ANCHOR CALCULATIONS.
11. FRAME MATERIAL: ALUMINUM 6063-T5.
12. UNITS MUST BE GLAZED PER ASTM E1300-04/09, SEE SHEET 15 FOR GLAZING DETAIL.
13. APPROVED IMPACT PROTECTIVE SYSTEM IS NOT REQUIRED FOR THIS PRODUCT IN WIND BORNE DEBRIS REGIONS.
14. FOR ANCHORING THROUGH FIN INTO WOOD FRAMING OR 2X BUCK USE #6 WOOD SCREWS WITH SUFFICIENT LENGTH TO ACHIEVE A 1 1/4" MINIMUM EMBEDMENT INTO SUBSTRATE. LOCATE ANCHORS AS SHOWN IN ELEVATIONS AND INSTALLATION DETAILS.
15. FOR ANCHORING THROUGH FIN INTO METAL STRUCTURE USE #8 SELF DRILLING SCREWS WITH SUFFICIENT LENGTH TO ACHIEVE 3 THREADS MINIMUM BEYOND STRUCTURE INTERIOR WALL. LOCATE ANCHORS AS SHOWN IN ELEVATIONS AND INSTALLATION DETAILS.
16. FOR ANCHORING THROUGH FRAME INTO WOOD FRAMING OR 2X BUCK USE #8 WOOD SCREWS WITH SUFFICIENT LENGTH TO ACHIEVE A 1 1/4" MINIMUM EMBEDMENT INTO SUBSTRATE. LOCATE ANCHORS AS SHOWN IN ELEVATIONS AND INSTALLATION DETAILS.
17. FOR ANCHORING THROUGH FRAME INTO MASONRY/CONCRETE USE 3/16" TAPCONS WITH SUFFICIENT LENGTH TO ACHIEVE A 1 1/4" MINIMUM EMBEDMENT INTO SUBSTRATE WITH 2" MINIMUM EDGE DISTANCE. LOCATE ANCHORS AS SHOWN IN ELEVATIONS AND INSTALLATION DETAILS.
18. FOR ANCHORING THROUGH FRAME INTO METAL STRUCTURE USE #8 SMS OR SELF DRILLING SCREWS WITH SUFFICIENT LENGTH TO ACHIEVE 3 THREADS MINIMUM BEYOND STRUCTURE INTERIOR WALL. LOCATE ANCHORS AS SHOWN IN ELEVATIONS AND INSTALLATION DETAILS.
19. ALL FASTENERS TO BE CORROSION RESISTANT.
20. INSTALLATION ANCHORS SHALL BE INSTALLED IN ACCORDANCE WITH ANCHOR MANUFACTURER'S INSTALLATION INSTRUCTIONS AND ANCHORS SHALL NOT BE USED IN SUBSTRATES WITH STRENGTHS LESS THAN THE MINIMUM STRENGTH SPECIFIED BELOW:
  - A. WOOD – MINIMUM SPECIFIC GRAVITY OF G=0.42
  - B. CONCRETE – MINIMUM COMPRESSIVE STRENGTH OF 3,192 PSI.
  - C. MASONRY – STRENGTH CONFORMANCE TO ASTM C-90, GRADE N, TYPE 1 (OR GREATER).
  - D. METAL STRUCTURE: STEEL 18GA, 33KSI OR ALUMINUM 6063-T5 .048" THICK MINIMUM
21. GEOMETRIC SHAPES ARE ALSO APPROVED. APPROVED GEOMETRIC SHAPES DIMENSIONS SHALL NOT EXCEED INSCRIBED DIMENSIONS OF APPROVED RECTANGULAR ASSEMBLY SHOWN IN SHEET 2, 3 AND 4.

SIGNED: 03/27/2019

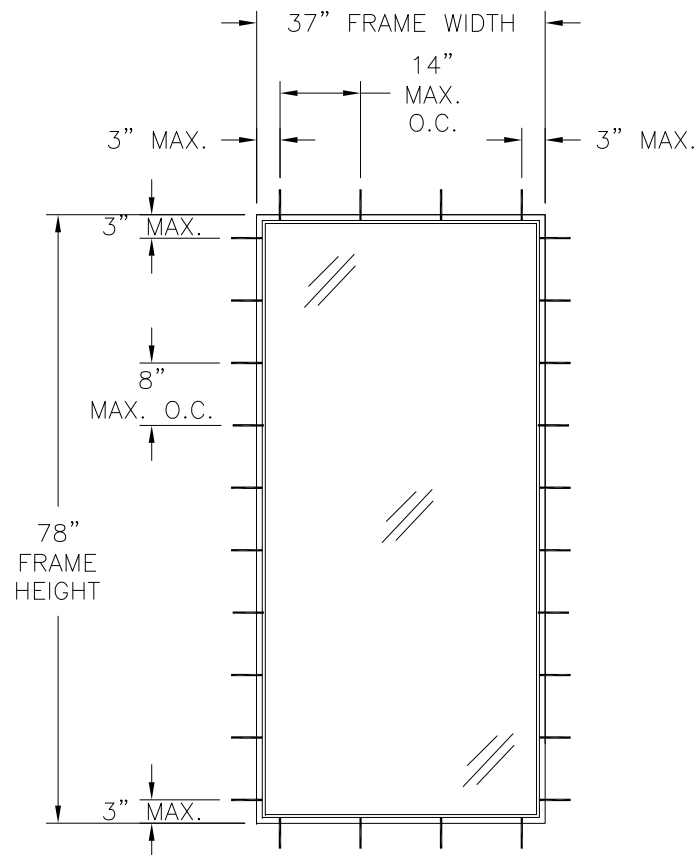
TABLE OF CONTENTS	
SHEET NO.	DESCRIPTION
1	NOTES
2 - 4	ELEVATIONS
5 - 14	INSTALLATION DETAILS
15	COMPONENTS AND GLAZING DETAIL

<b>MI WINDOWS AND DOORS, LLC</b> 650 W. MARKET ST. GRATZ, PA 17030		
185 PICTURE WINDOW IMPACT 37" x 78" NOTES		
DRAWN: A.R.	DWG NO. 08-03395	REV -
SCALE NTS	DATE 03/12/19	SHEET 1 OF 15
L. ROBERTO LOMAS P.E. 1432 WOODFORD RD LEWISVILLE, NC 27023 434-688-0609 rllomas@rlomaspe.com		

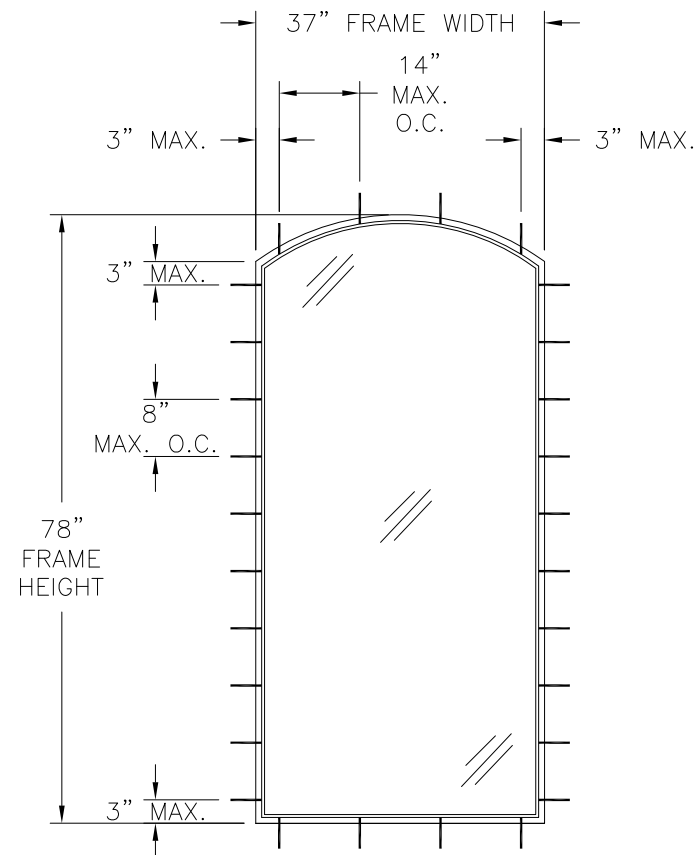


Luis R. Lomas P.E.  
TX No.: 101889

REVISIONS			
REV	DESCRIPTION	DATE	APPROVED



**185 FIXED WINDOW**  
EXTERIOR VIEW  
FLANGE & FINLESS INSTALLATION  
WITHOUT FILLERS



**185 FIXED WINDOW DESIGNER**  
EXTERIOR VIEW  
FLANGE & FINLESS INSTALLATION  
WITHOUT FILLERS

DESIGN PRESSURE RATING	IMPACT RATING
+50.0/-63.0PSF	LARGE MISSILE IMPACT

MISSILE LEVEL D, WIND ZONE 3  
37" X 78" UNIT SHOWN. OTHER SIZES APPROVED AS LONG AS  
FRAME AREA DOES NOT EXCEED 20.04 FT<sup>2</sup>

**NOTES:**

- D.L.O. SIZE: 34 1/4" X 75 1/4"

SIGNED: 03/27/2019

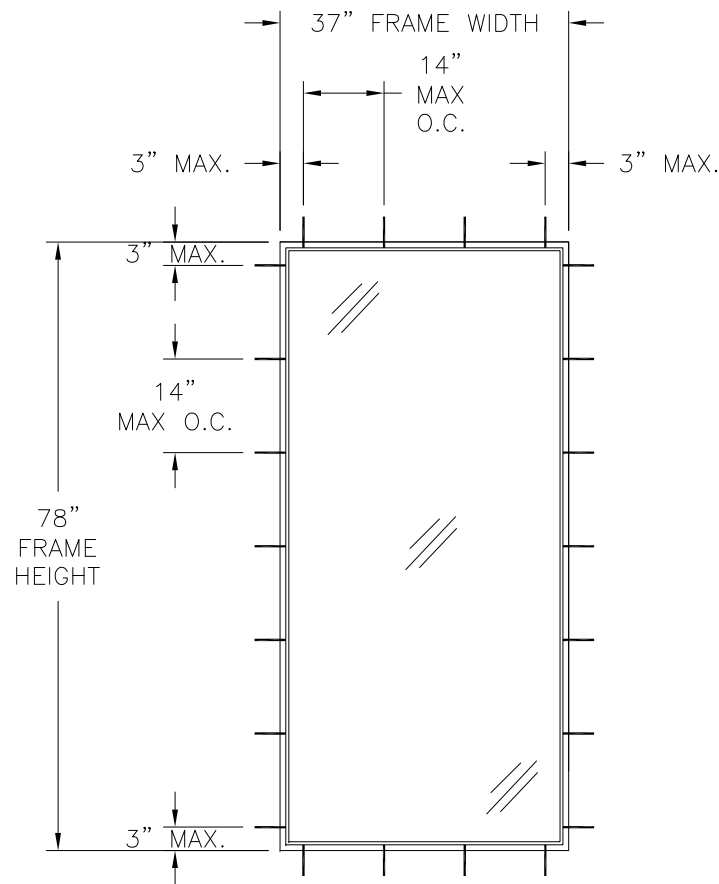
<b>MI WINDOWS AND DOORS, LLC</b> 650 W. MARKET ST. GRATZ, PA 17030		
185 PICTURE WINDOW IMPACT 37" x 78" FLANGE & FINLESS ELEVATIONS WITHOUT FILLERS		
DRAWN: A.R.	DWG NO. 08-03395	REV -
SCALE NTS	DATE 03/12/19	SHEET 2 OF 15
L. ROBERTO LOMAS P.E. 1432 WOODFORD RD LEWISVILLE, NC 27023 434-688-0609 rllomas@rlomaspe.com		



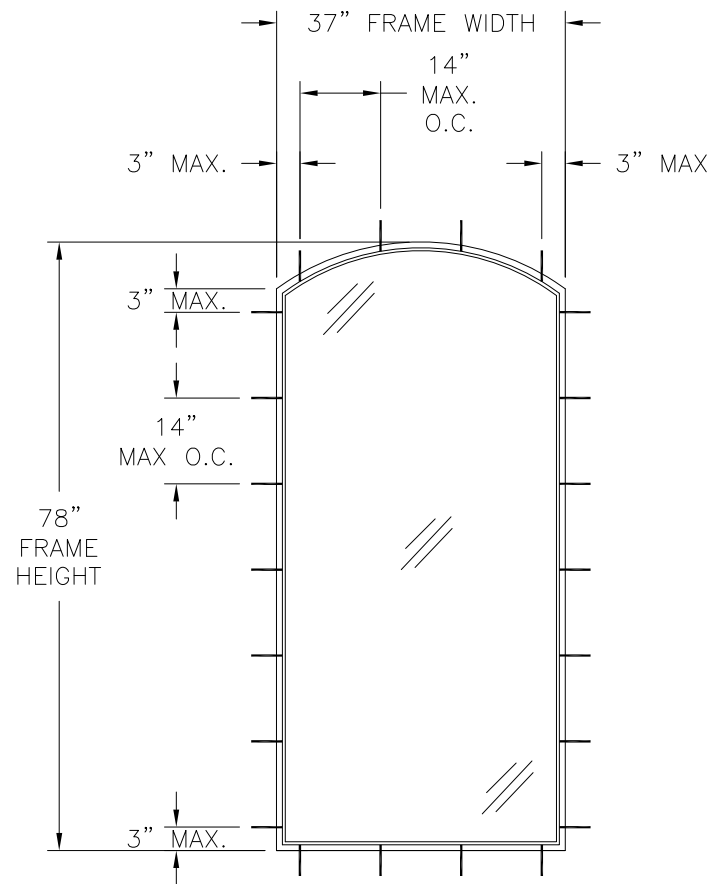
Luis R. Lomas P.E.  
TX No.: 101889

REVISIONS			
REV	DESCRIPTION	DATE	APPROVED

NOTES:  
1. D.L.O. SIZE: 34 1/4" X 75 1/4"



**185 FIXED WINDOW**  
EXTERIOR VIEW  
FLANGE & FINLESS INSTALLATION  
WITH FILLERS



**185 FIXED WINDOW DESIGNER**  
EXTERIOR VIEW  
FLANGE & FINLESS INSTALLATION  
WITH FILLERS

DESIGN PRESSURE RATING	IMPACT RATING
+50.0/-63.0PSF	LARGE MISSILE IMPACT

MISSILE LEVEL D, WIND ZONE 3

37" X 78" UNIT SHOWN. OTHER SIZES APPROVED AS LONG AS FRAME AREA DOES NOT EXCEED 20.04 FT<sup>2</sup>

SIGNED: 03/27/2019

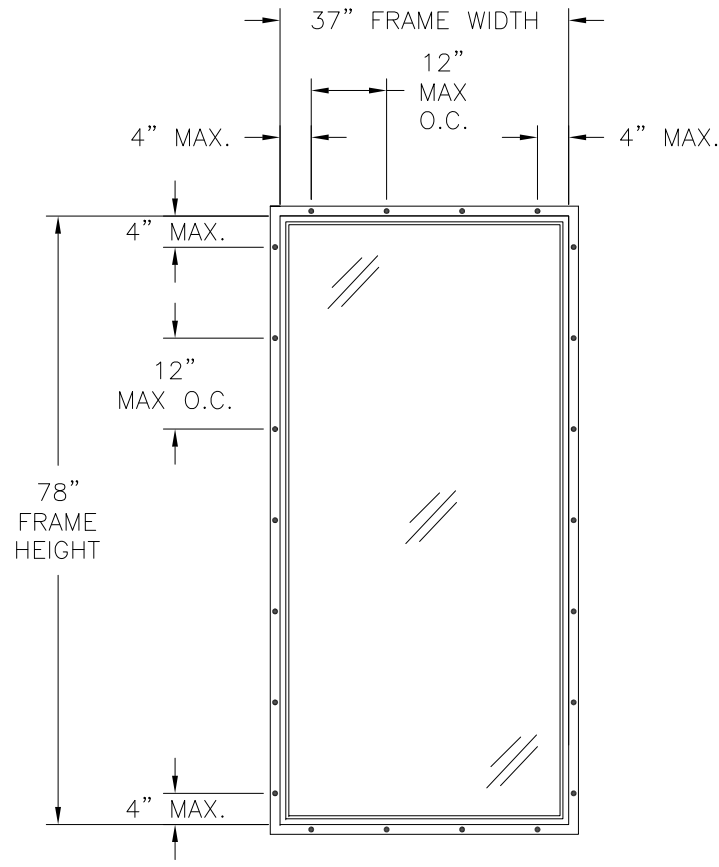
<b>MI WINDOWS AND DOORS, LLC</b> 650 W. MARKET ST. GRATZ, PA 17030		
185 PICTURE WINDOW IMPACT 37" x 78" FLANGE & FINLESS ELEVATIONS WITH FILLERS		
DRAWN: A.R.	DWG NO. 08-03395	REV -
SCALE NTS	DATE 03/12/19	SHEET 3 OF 15
L. ROBERTO LOMAS P.E. 1432 WOODFORD RD LEWISVILLE, NC 27023 434-688-0609 rllomas@rlomaspe.com		



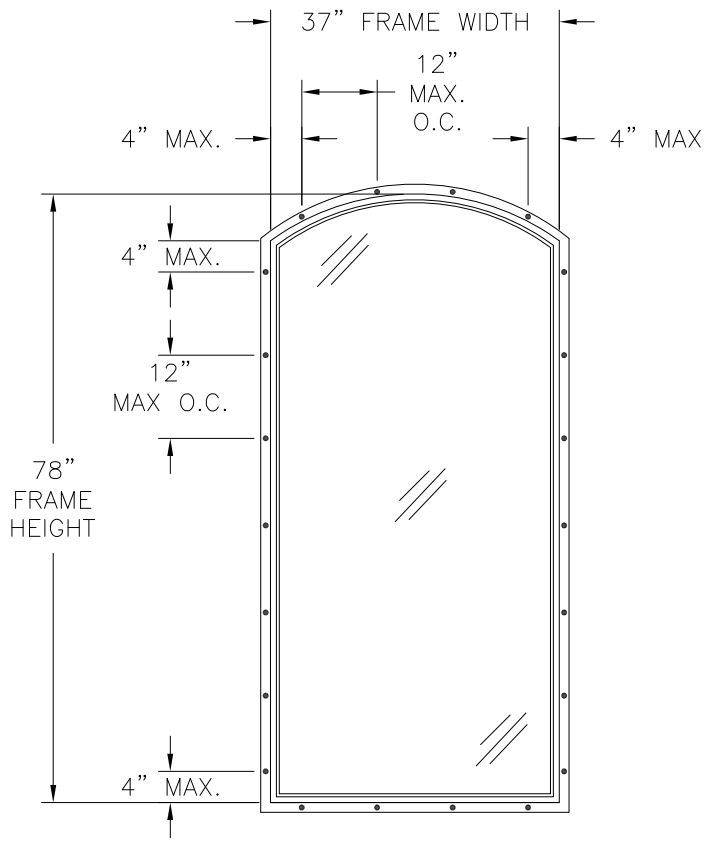
Luis R. Lomas P.E.  
TX No.: 101889

REVISIONS			
REV	DESCRIPTION	DATE	APPROVED

NOTES:  
1. D.L.O. SIZE: 34 1/4" X 75 1/4"



**185 FIXED WINDOW**  
EXTERIOR VIEW  
FIN INSTALLATION



**185 FIXED WINDOW DESIGNER**  
EXTERIOR VIEW  
FIN INSTALLATION

DESIGN PRESSURE RATING	IMPACT RATING
<b>+50.0/-63.0PSF</b>	<b>LARGE MISSILE IMPACT</b>

MISSILE LEVEL D, WIND ZONE 3  
37" X 78" UNIT SHOWN. OTHER SIZES APPROVED AS LONG AS FRAME AREA DOES NOT EXCEED 20.04 FT<sup>2</sup>

**MI WINDOWS AND DOORS, LLC**  
650 W. MARKET ST.  
GRATZ, PA 17030

185 PICTURE WINDOW  
IMPACT 37" x 78"  
FIN ELEVATIONS

DRAWN: A.R.	DWG NO. 08-03395	REV -
SCALE NTS	DATE 03/12/19	SHEET 4 OF 15

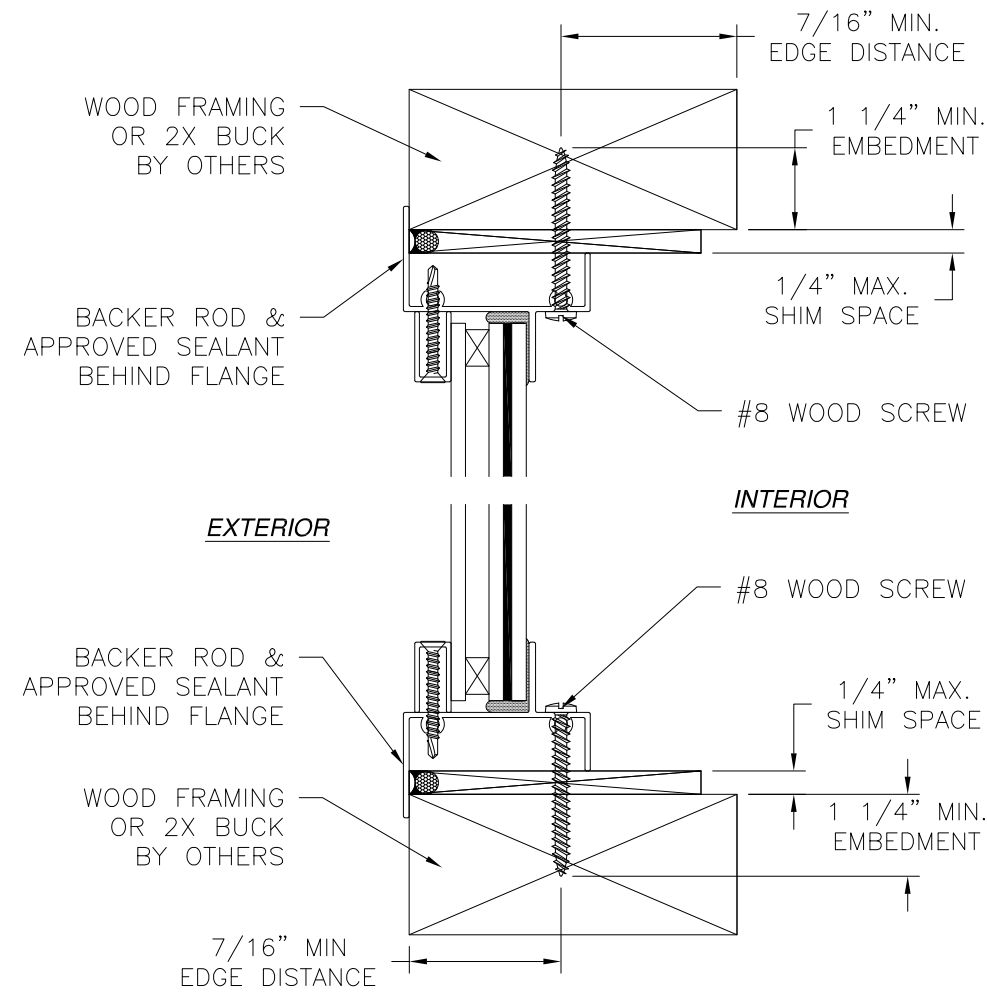
L. ROBERTO LOMAS P.E.  
1432 WOODFORD RD LEWISVILLE, NC 27023  
434-688-0609 rllomas@rlomaspe.com

SIGNED: 03/27/2019

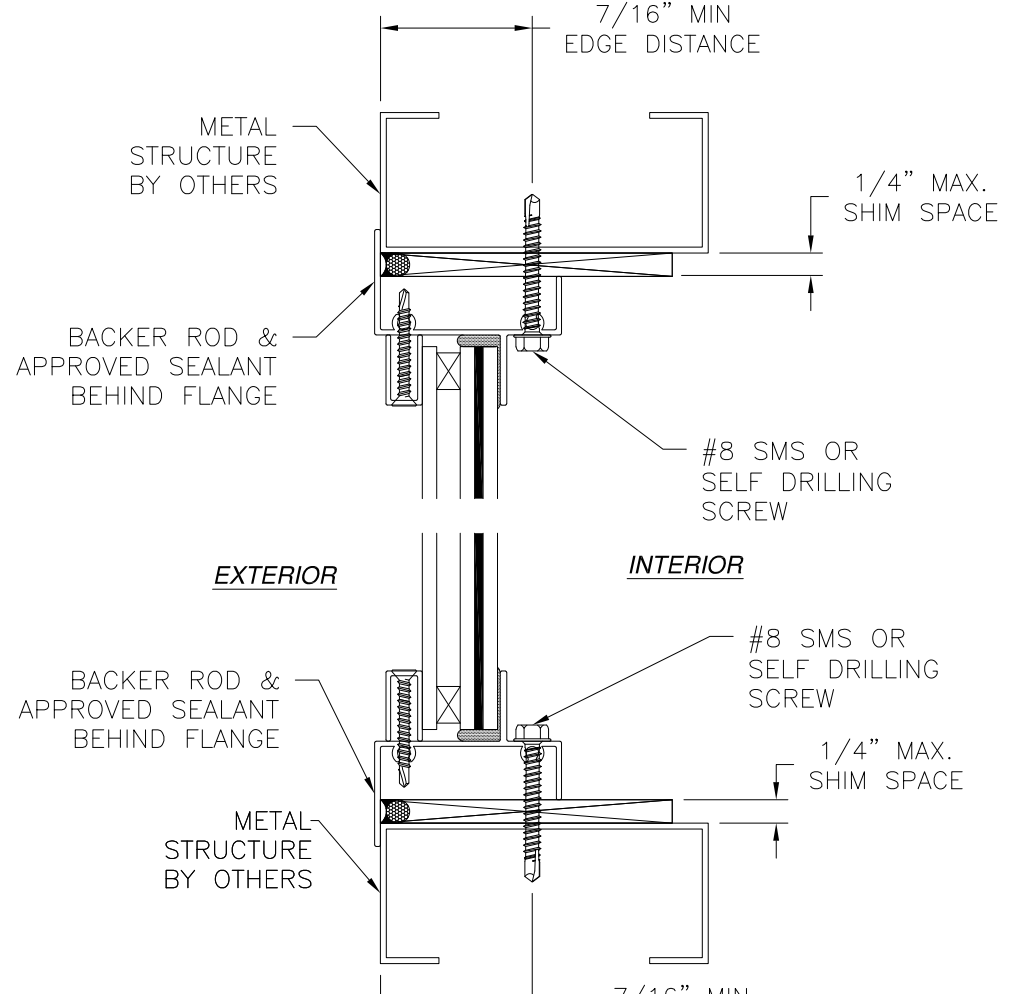


Luis R. Lomas P.E.  
TX No.: 101889

REVISIONS			
REV	DESCRIPTION	DATE	APPROVED

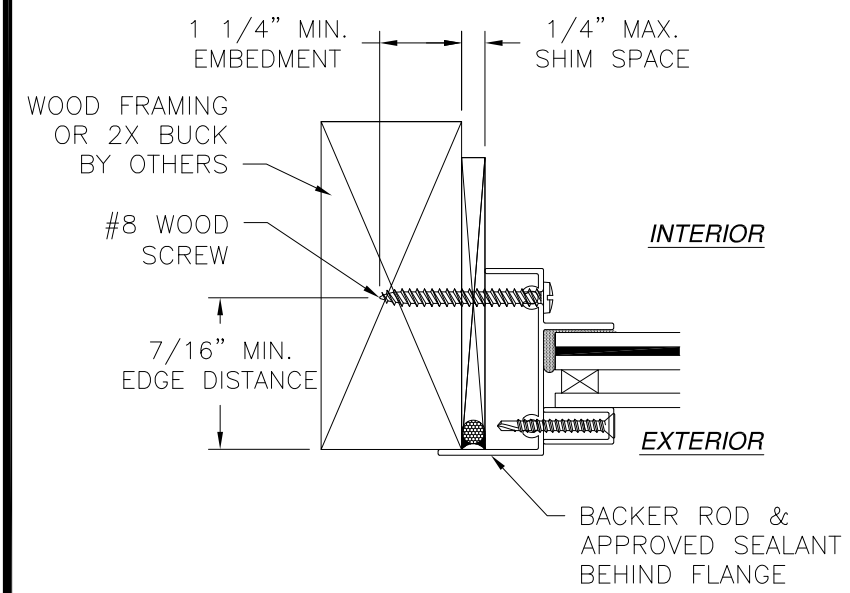


**VERTICAL CROSS SECTION**  
WOOD FRAMING OR 2X BUCK INSTALLATION

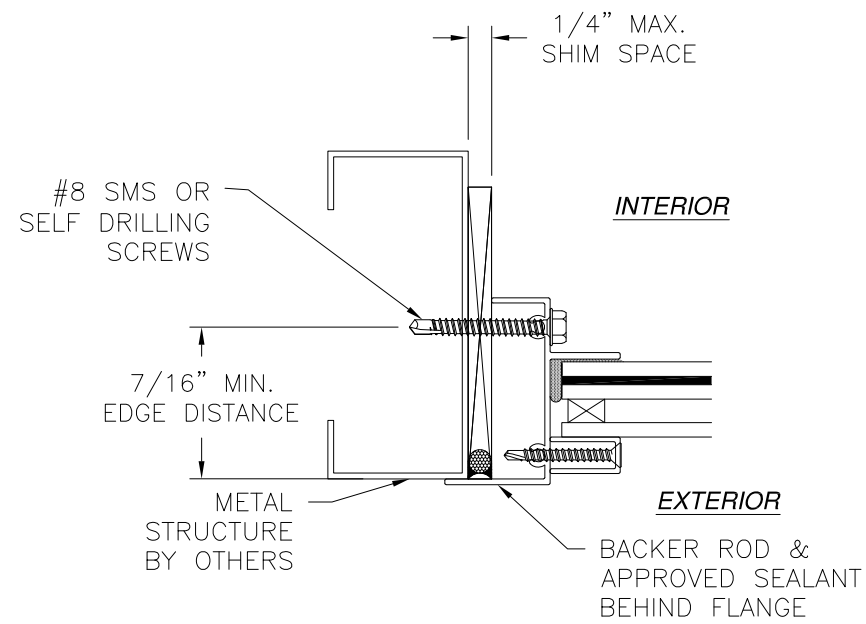


**VERTICAL CROSS SECTION**  
METAL STRUCTURE INSTALLATION

**NOTES:**  
 1. INTERIOR AND EXTERIOR FINISHES, BY OTHERS, NOT SHOWN FOR CLARITY.  
 2. PERIMETER AND JOINT SEALANT BY OTHERS TO BE DESIGNED IN ACCORDANCE WITH ASTM E2112



**JAMB INSTALLATION DETAIL**  
WOOD FRAMING OR 2X BUCK INSTALLATION



**JAMB INSTALLATION DETAIL**  
METAL STRUCTURE INSTALLATION

**MI WINDOWS AND DOORS, LLC**  
 650 W. MARKET ST.  
 GRATZ, PA 17030

185 PICTURE WINDOW  
 IMPACT 37" x 78"  
 FLANGE INSTALLATION DETAILS WITHOUT FILLERS

DRAWN: A.R.	DWG NO. 08-03395	REV -
SCALE NTS	DATE 03/12/19	SHEET 5 OF 15

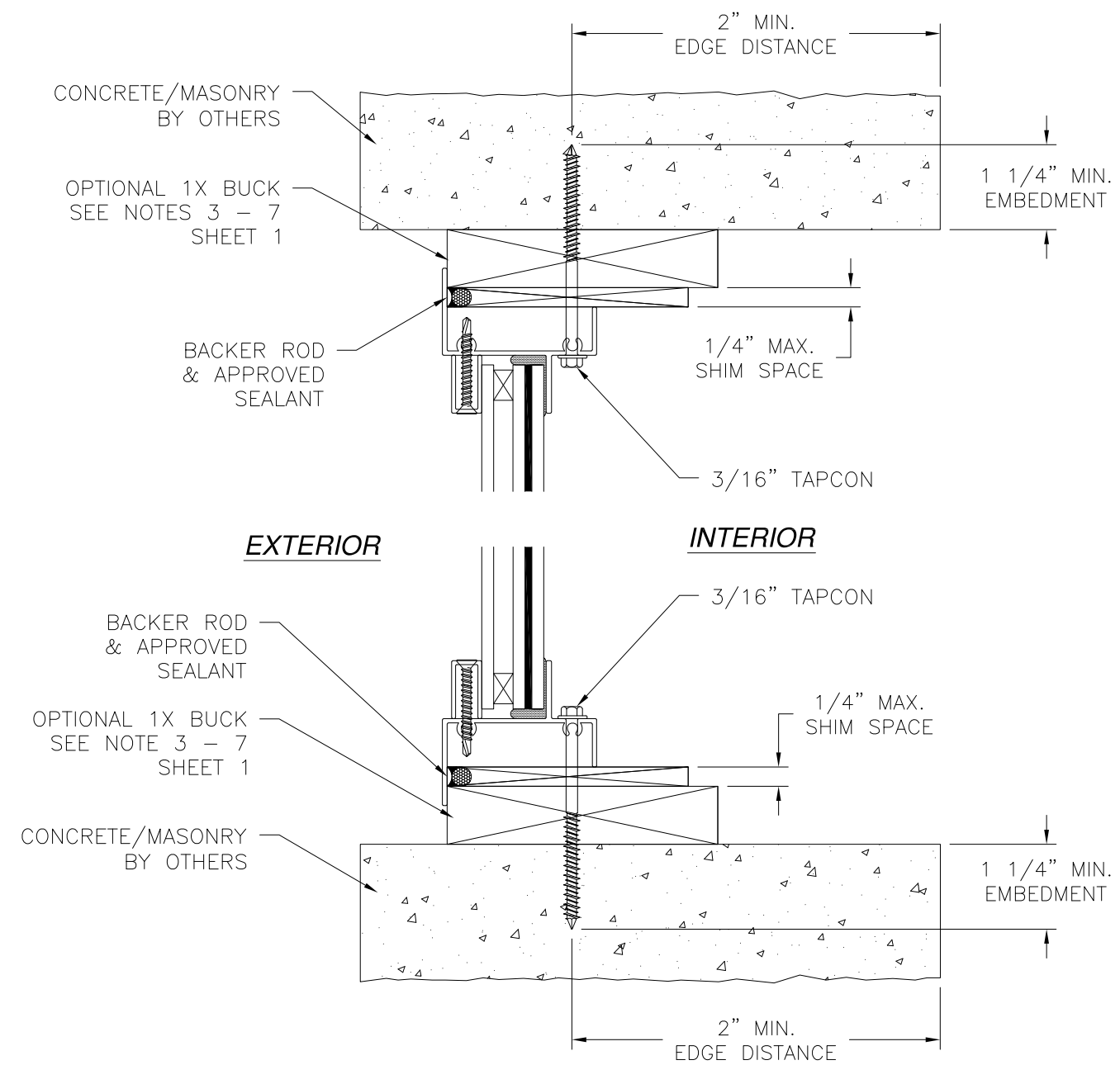
L. ROBERTO LOMAS P.E.  
 1432 WOODFORD RD LEWISVILLE, NC 27023  
 434-688-0609 rllomas@rlomaspe.com

SIGNED: 03/27/2019

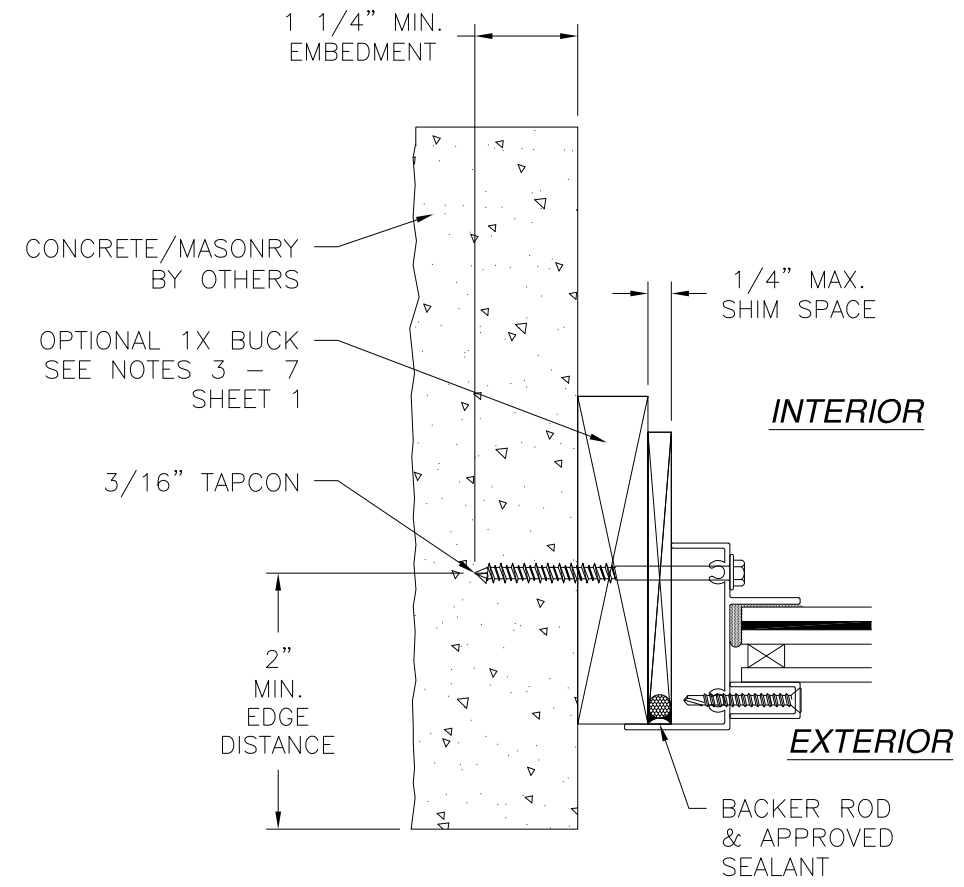


Luis R. Lomas P.E.  
 TX No.: 101889

REVISIONS			
REV	DESCRIPTION	DATE	APPROVED



**VERTICAL CROSS SECTION**  
CONCRETE/MASONRY INSTALLATION



**JAMB INSTALLATION DETAIL**  
CONCRETE/MASONRY INSTALLATION

**NOTES:**  
 1. INTERIOR AND EXTERIOR FINISHES, BY OTHERS, NOT SHOWN FOR CLARITY.  
 2. PERIMETER AND JOINT SEALANT BY OTHERS TO BE DESIGNED IN ACCORDANCE WITH ASTM E2112

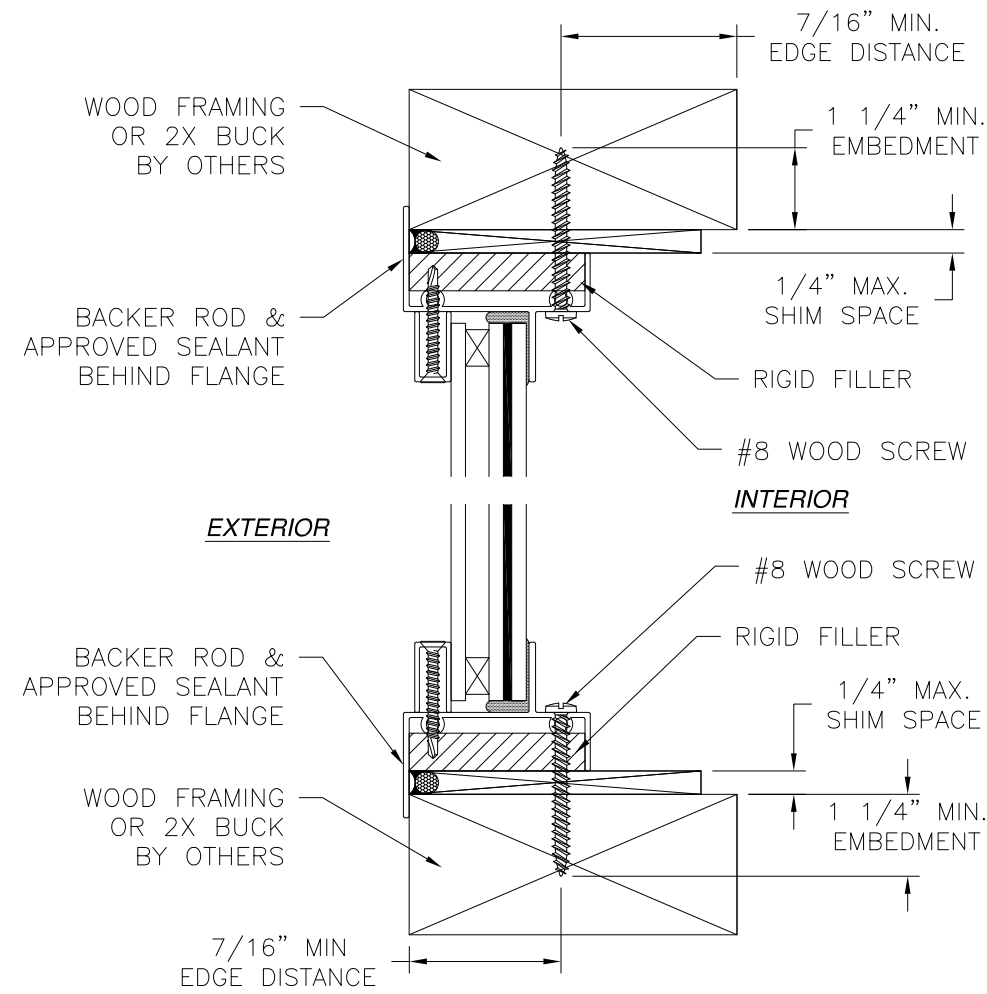
SIGNED: 03/27/2019

MI WINDOWS AND DOORS, LLC 650 W. MARKET ST. GRATZ, PA 17030		
185 PICTURE WINDOW IMPACT 37" x 78" FLANGE INSTALLATION DETAILS WITHOUT FILLERS		
DRAWN: A.R.	DWG NO. 08-03395	REV -
SCALE NTS	DATE 03/12/19	SHEET 6 OF 15
L. ROBERTO LOMAS P.E. 1432 WOODFORD RD LEWISVILLE, NC 27023 434-688-0609 rllomas@rlomaspe.com		

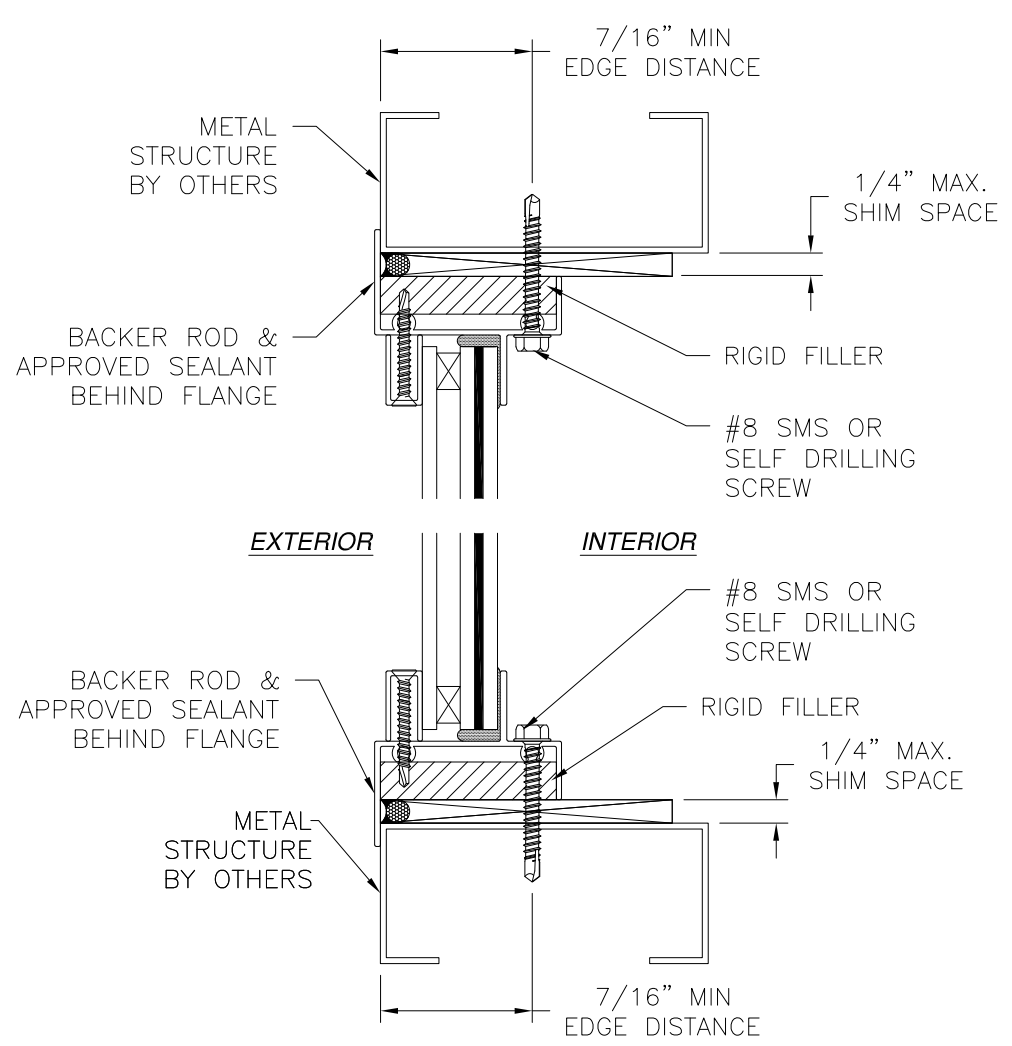


Luis R. Lomas P.E.  
TX No.: 101889

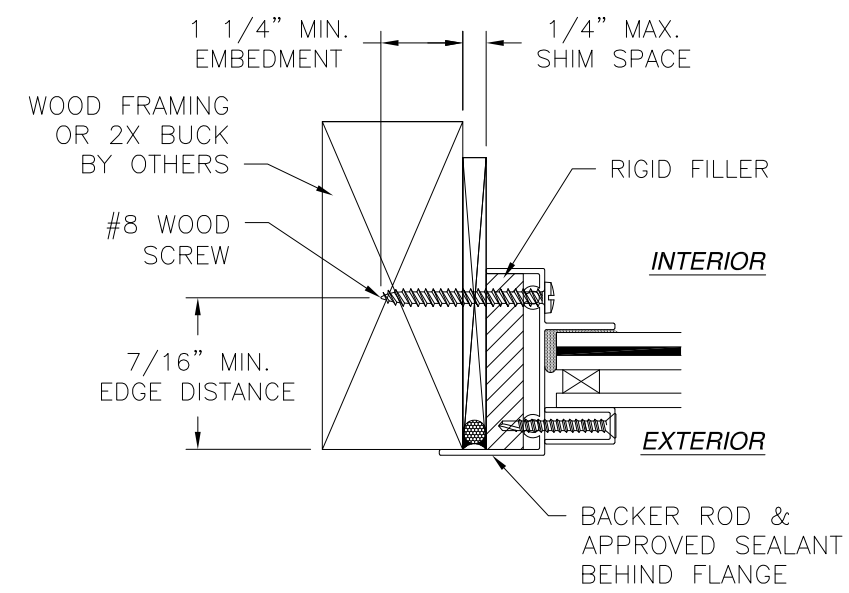
REVISIONS			
REV	DESCRIPTION	DATE	APPROVED



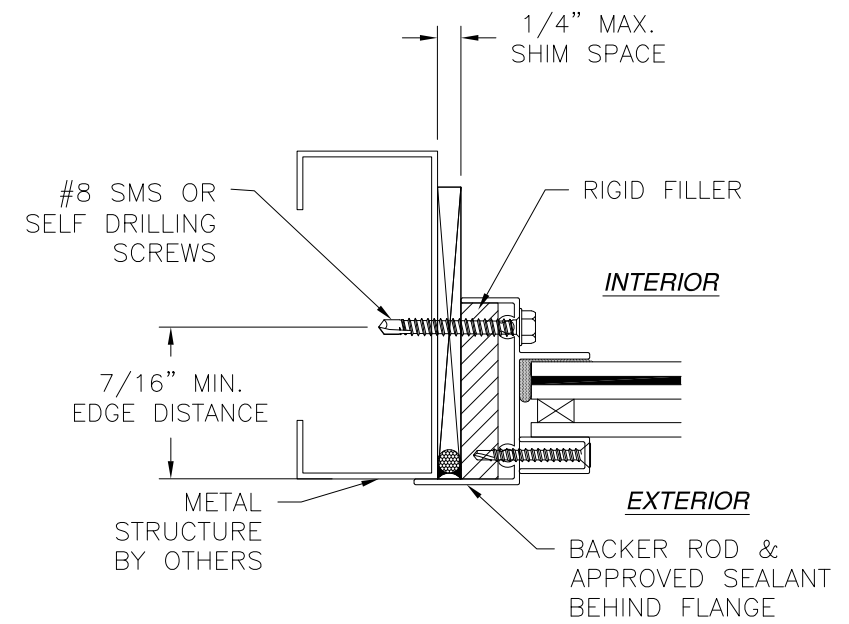
**VERTICAL CROSS SECTION**  
WOOD FRAMING OR 2X BUCK INSTALLATION



**VERTICAL CROSS SECTION**  
METAL STRUCTURE INSTALLATION



**JAMB INSTALLATION DETAIL**  
WOOD FRAMING OR 2X BUCK INSTALLATION



**JAMB INSTALLATION DETAIL**  
METAL STRUCTURE INSTALLATION

**NOTES:**  
1. INTERIOR AND EXTERIOR FINISHES, BY OTHERS, NOT SHOWN FOR CLARITY.  
2. PERIMETER AND JOINT SEALANT BY OTHERS TO BE DESIGNED IN ACCORDANCE WITH ASTM E2112

MI WINDOWS AND DOORS, LLC  
650 W. MARKET ST.  
GRATZ, PA 17030

185 PICTURE WINDOW  
IMPACT 37" x 78"  
FLANGE INSTALLATION DETAILS WITH RIGID FILLERS

DRAWN: A.R.	DWG NO. 08-03395	REV -
SCALE NTS	DATE 03/12/19	SHEET 7 OF 15

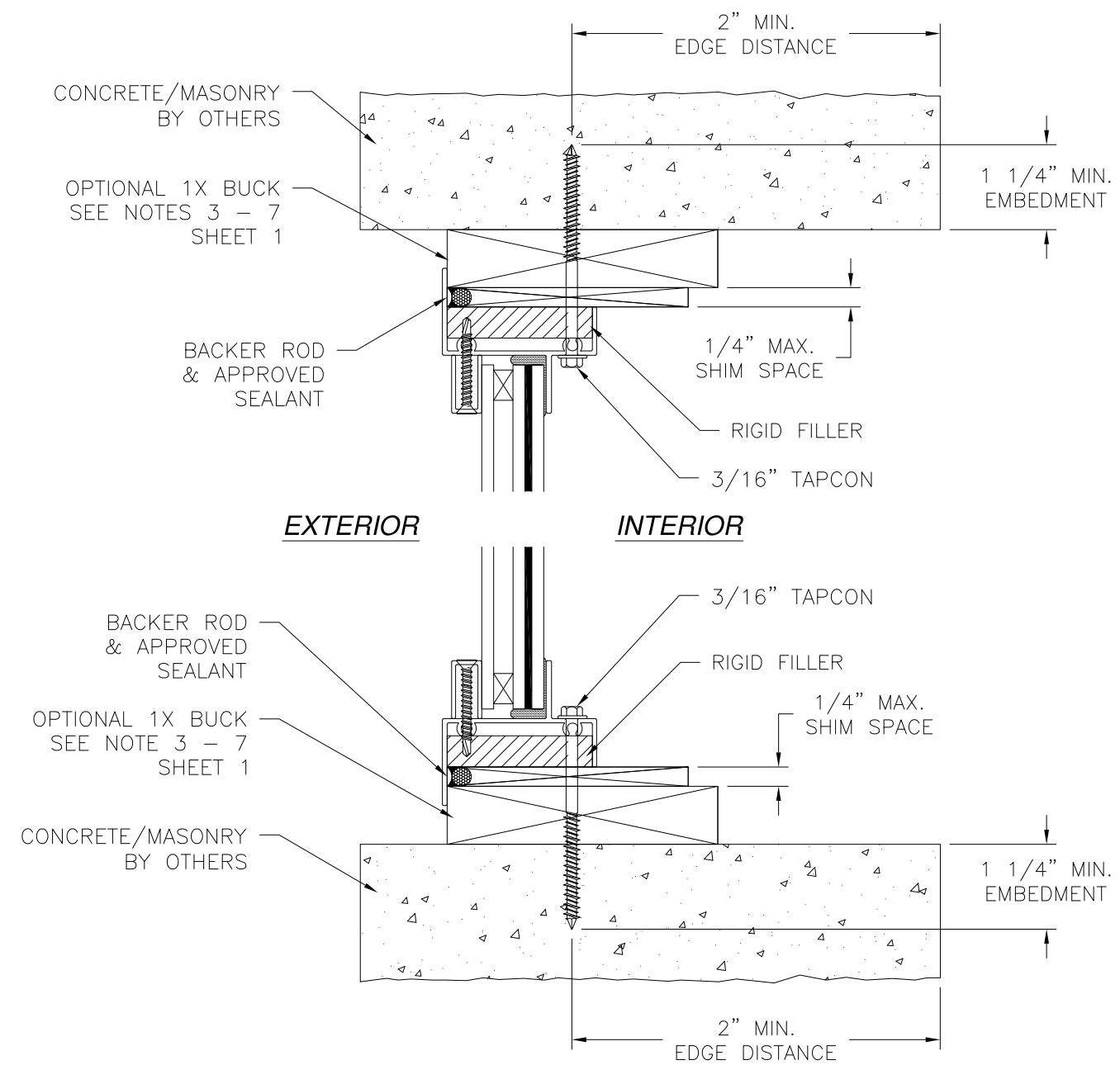
L. ROBERTO LOMAS P.E.  
1432 WOODFORD RD LEWISVILLE, NC 27023  
434-688-0609 rllomas@lrlomaspe.com

SIGNED: 03/27/2019

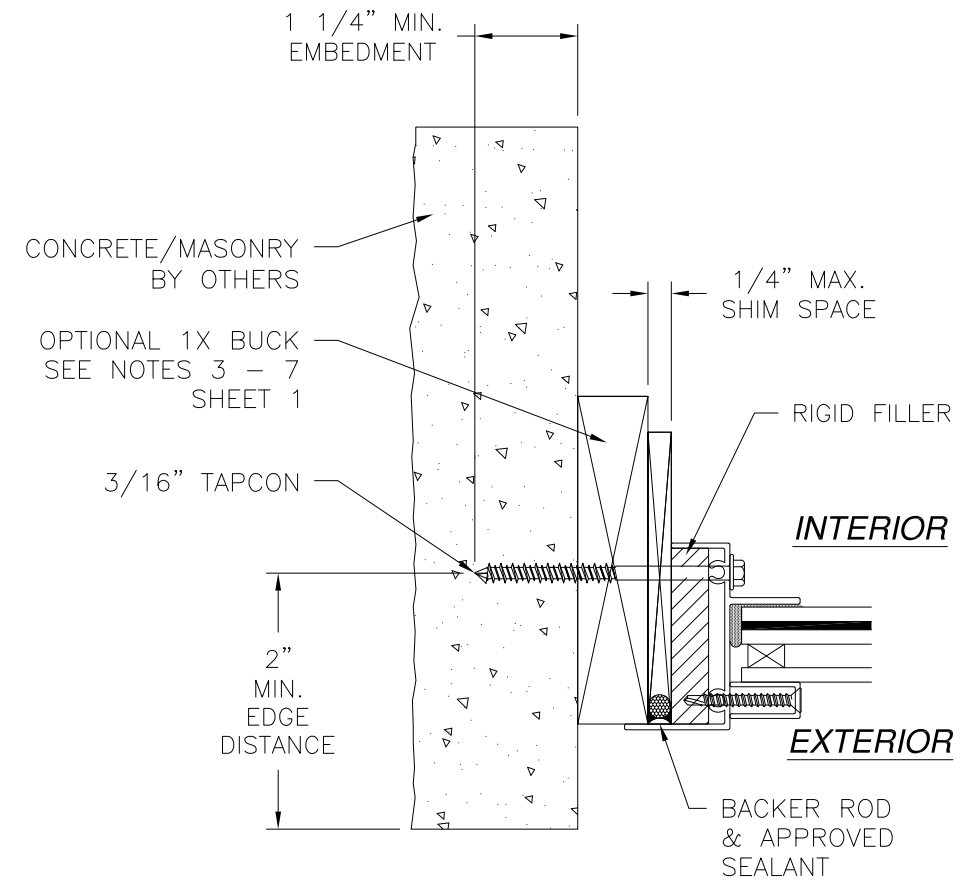


Luis R. Lomas P.E.  
TX No.: 101889

REVISIONS			
REV	DESCRIPTION	DATE	APPROVED



**VERTICAL CROSS SECTION**  
CONCRETE/MASONRY INSTALLATION



**JAMB INSTALLATION DETAIL**  
CONCRETE/MASONRY INSTALLATION

**NOTES:**  
 1. INTERIOR AND EXTERIOR FINISHES, BY OTHERS, NOT SHOWN FOR CLARITY.  
 2. PERIMETER AND JOINT SEALANT BY OTHERS TO BE DESIGNED IN ACCORDANCE WITH ASTM E2112

SIGNED: 03/27/2019

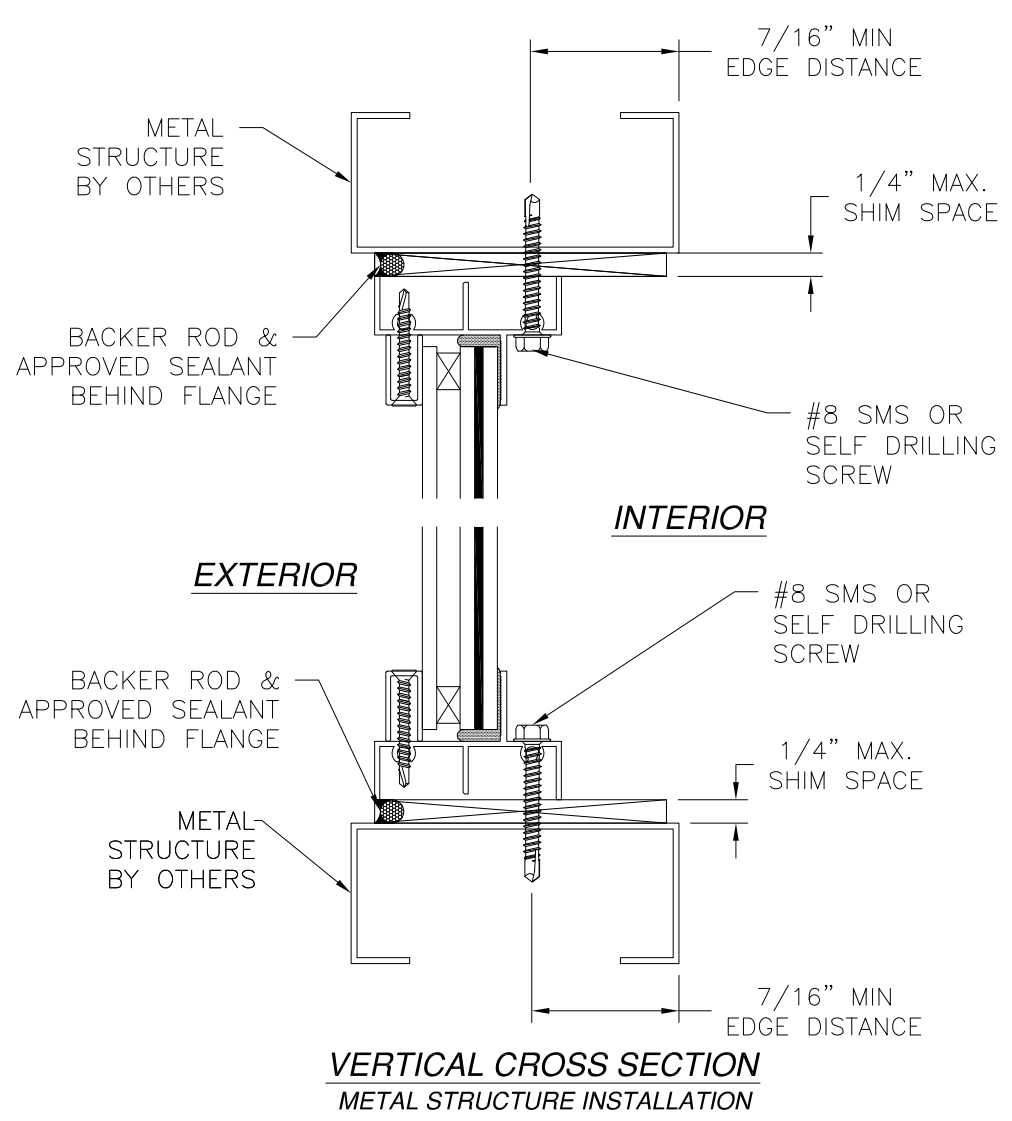
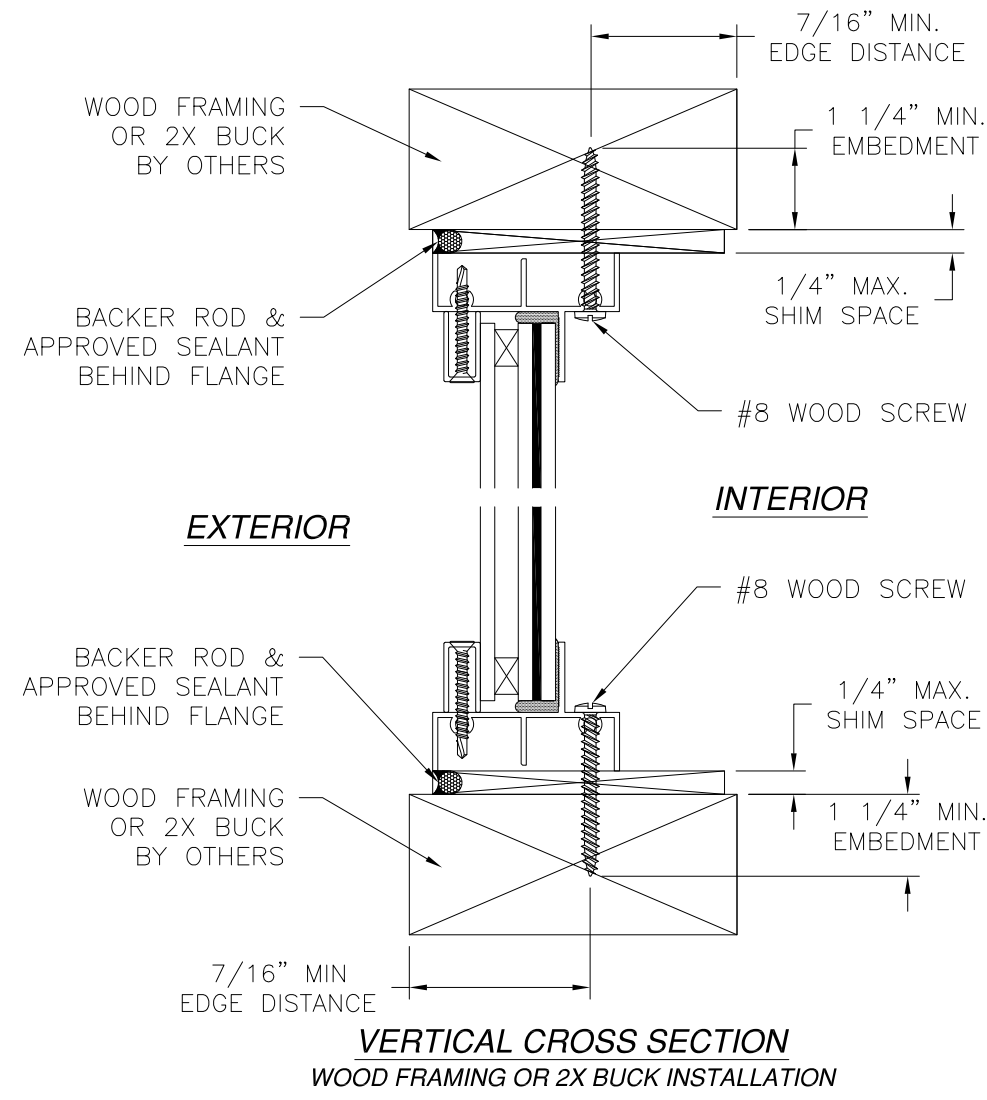
MI WINDOWS AND DOORS, LLC 650 W. MARKET ST. GRATZ, PA 17030		
185 PICTURE WINDOW IMPACT 37" x 78" FLANGE INSTALLATION DETAILS WITH RIGID FILLERS		
DRAWN: A.R.	DWG NO. 08-03395	REV -
SCALE NTS	DATE 03/12/19	SHEET 8 OF 15
L. ROBERTO LOMAS P.E. 1432 WOODFORD RD LEWISVILLE, NC 27023 434-688-0609 rllomas@rlomaspe.com		



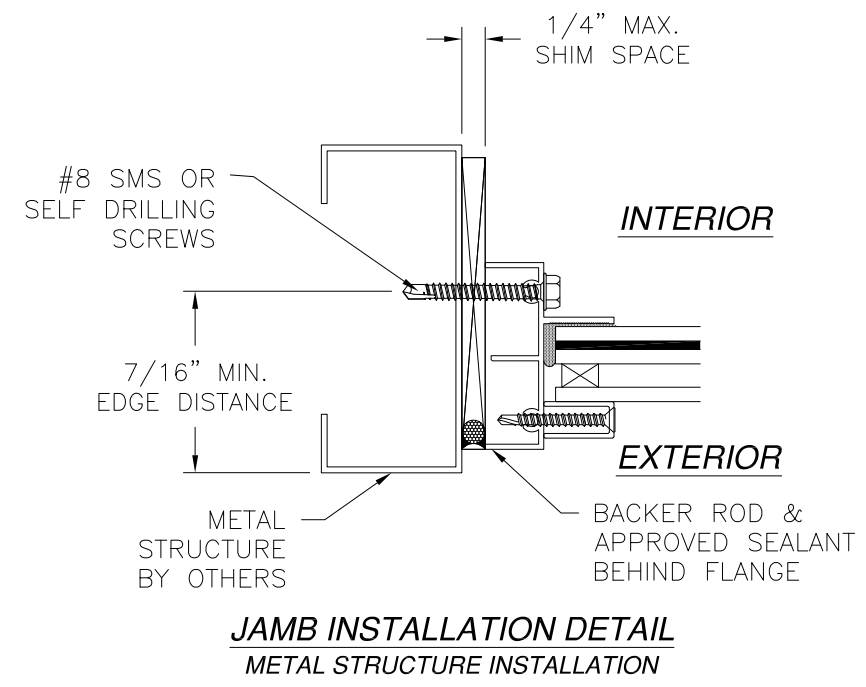
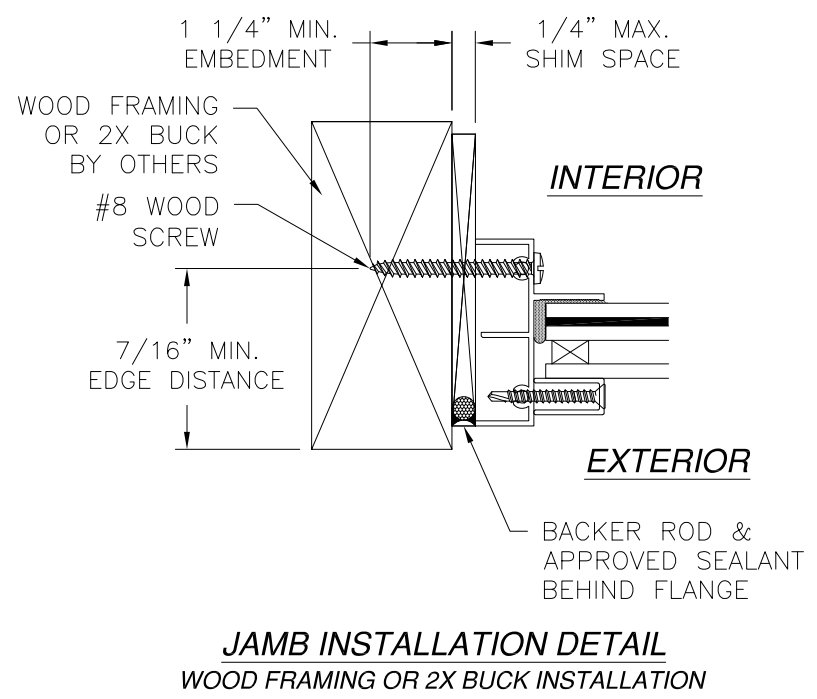
Luis R. Lomas P.E.  
TX No.: 101889



REVISIONS			
REV	DESCRIPTION	DATE	APPROVED



**NOTES:**  
 1. INTERIOR AND EXTERIOR FINISHES, BY OTHERS, NOT SHOWN FOR CLARITY.  
 2. PERIMETER AND JOINT SEALANT BY OTHERS TO BE DESIGNED IN ACCORDANCE WITH ASTM E2112



**MI WINDOWS AND DOORS, LLC**  
 650 W. MARKET ST.  
 GRATZ, PA 17030

185 PICTURE WINDOW  
 IMPACT 37" x 78"  
 FINLESS INSTALLATION DETAILS WITHOUT FILLERS

DRAWN: A.R.	DWG NO. 08-03395	REV -
SCALE NTS	DATE 03/12/19	SHEET 9 OF 15

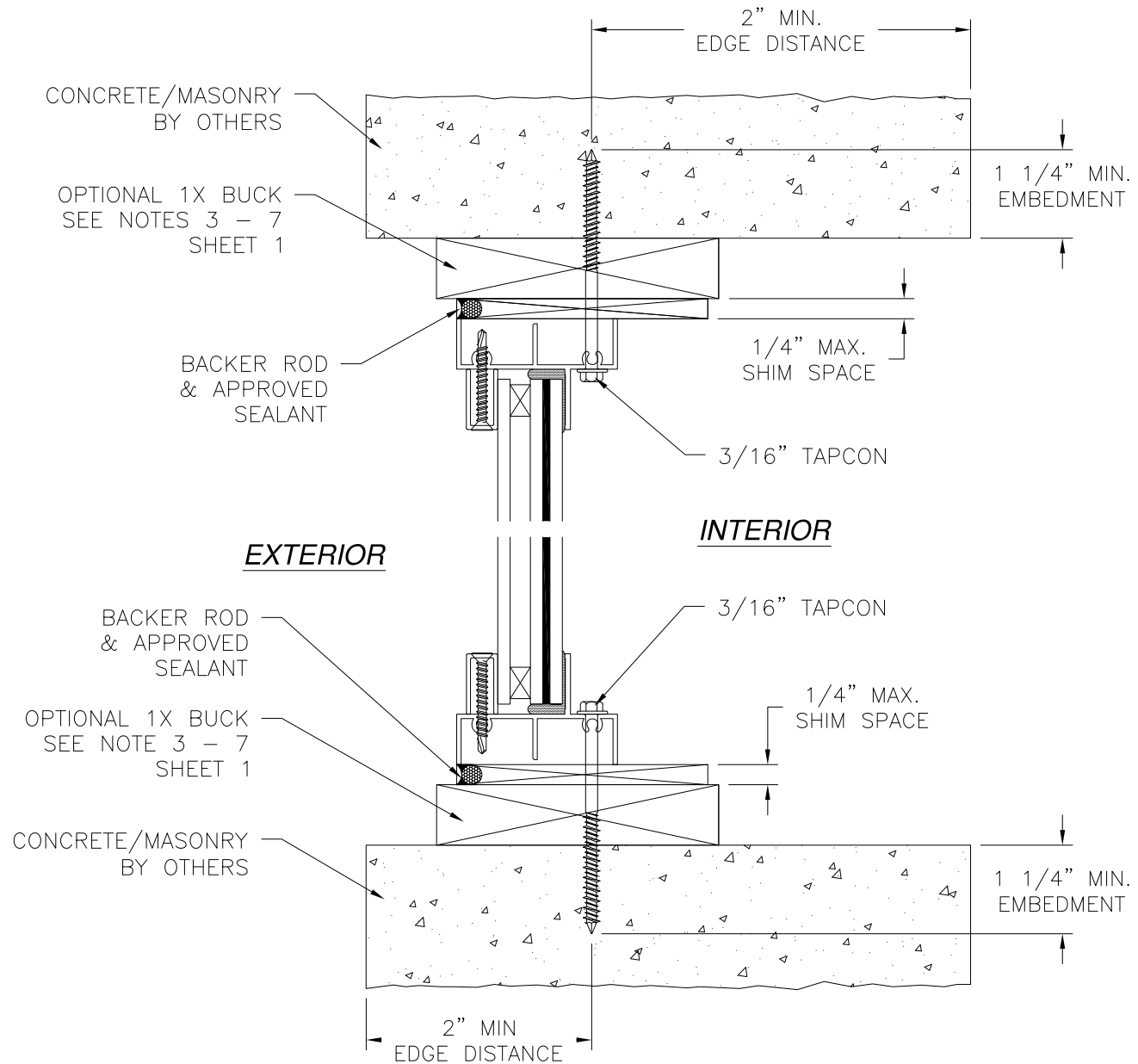
L. ROBERTO LOMAS P.E.  
 1432 WOODFORD RD LEWISVILLE, NC 27023  
 434-688-0609 rllomas@rlomaspe.com

SIGNED: 03/27/2019

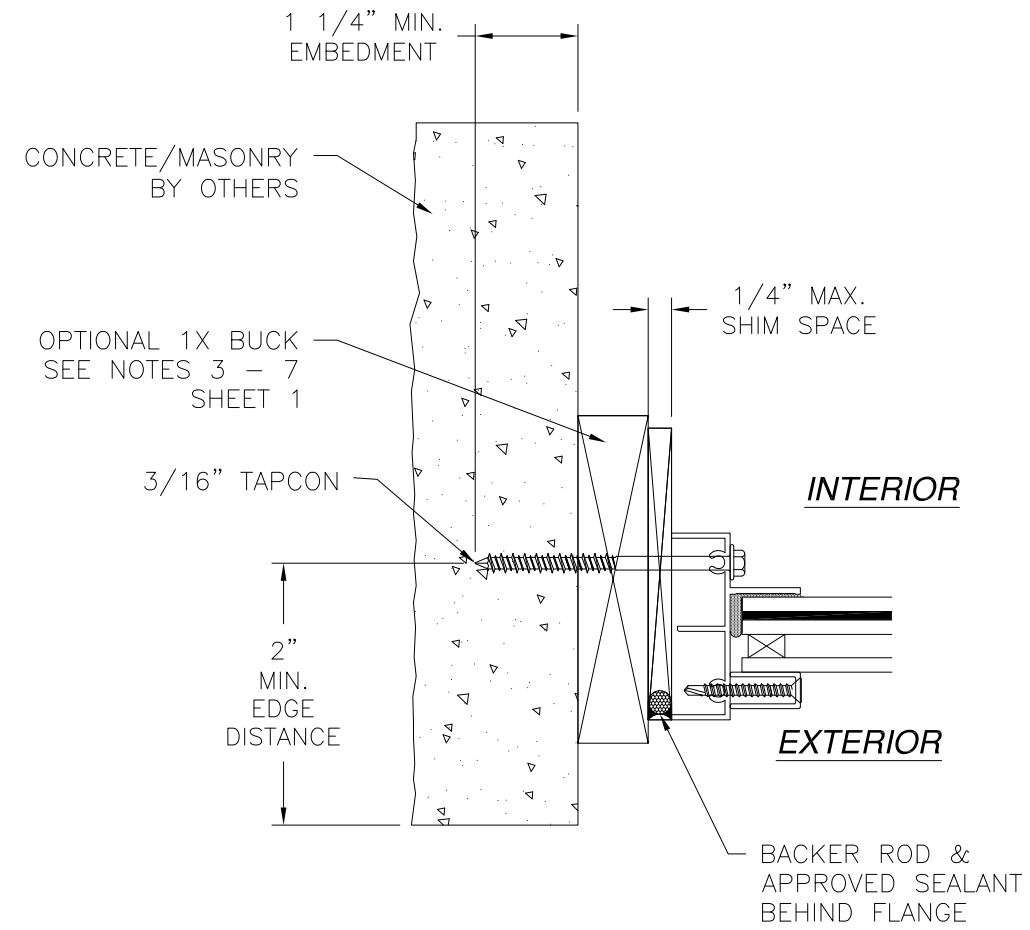


Luis R. Lomas P.E.  
 TX No.: 101889

REVISIONS			
REV	DESCRIPTION	DATE	APPROVED



**VERTICAL CROSS SECTION**  
CONCRETE/MASONRY INSTALLATION



**JAMB INSTALLATION DETAIL**  
CONCRETE/MASONRY INSTALLATION

**NOTES:**  
 1. INTERIOR AND EXTERIOR FINISHES, BY OTHERS, NOT SHOWN FOR CLARITY.  
 2. PERIMETER AND JOINT SEALANT BY OTHERS TO BE DESIGNED IN ACCORDANCE WITH ASTM E2112

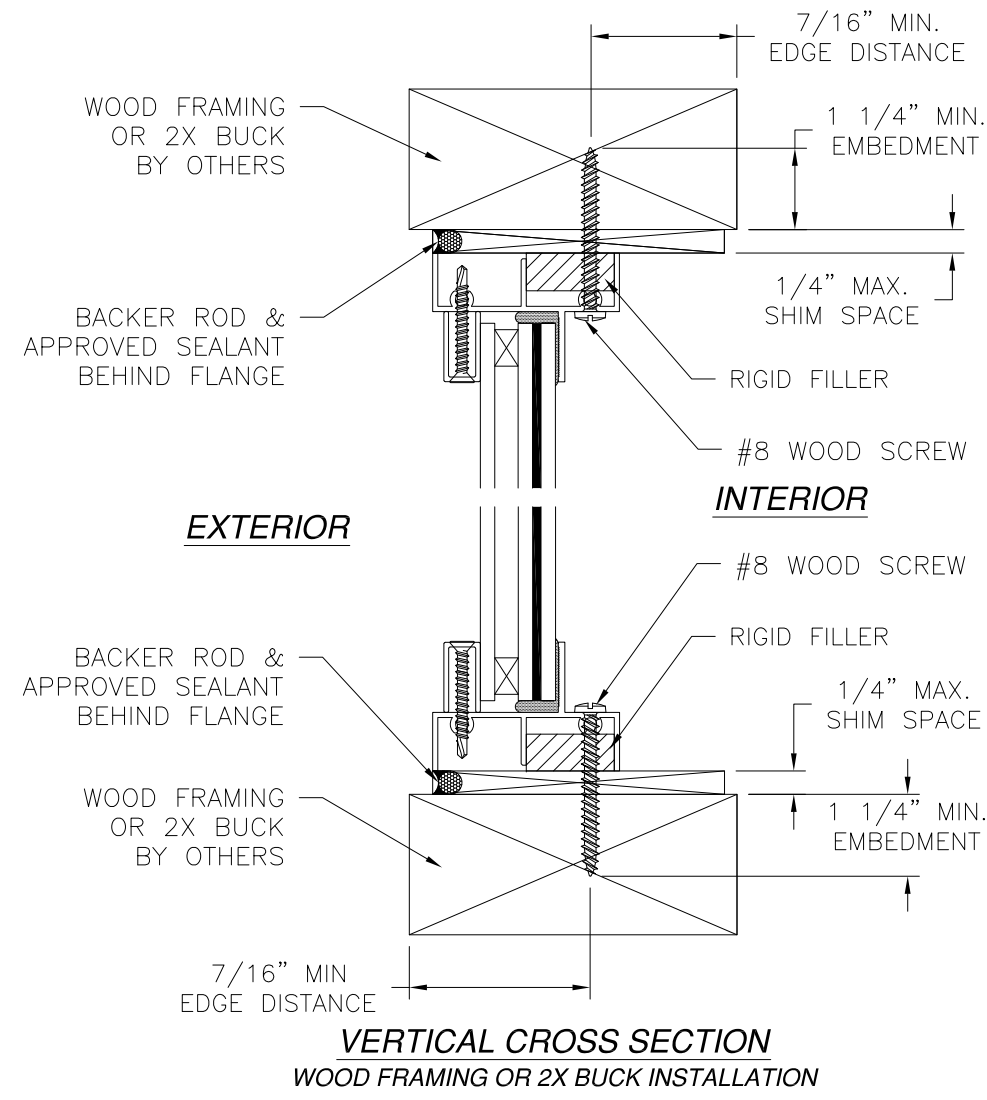
<b>MI WINDOWS AND DOORS, LLC</b> 650 W. MARKET ST. GRATZ, PA 17030		
185 PICTURE WINDOW IMPACT 37" x 78" FINLESS INSTALLATION DETAILS WITHOUT FILLERS		
DRAWN: A.R.	DWG NO. 08-03395	REV -
SCALE NTS	DATE 03/12/19	SHEET 10 OF 15
L. ROBERTO LOMAS P.E. 1432 WOODFORD RD LEWISVILLE, NC 27023 434-688-0609 rllomas@rlomaspe.com		

SIGNED: 03/27/2019

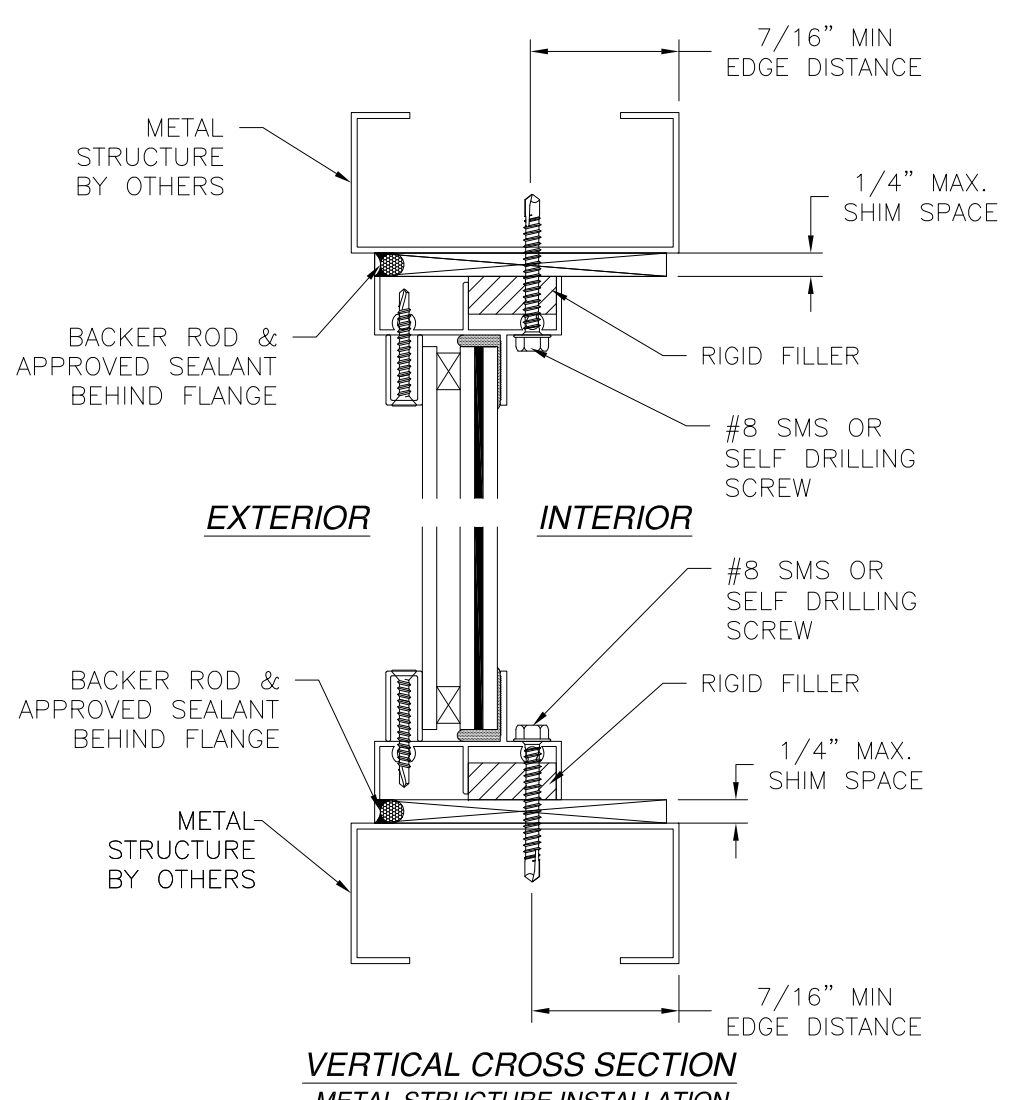


Luis R. Lomas P.E.  
TX No.: 101889

REVISIONS			
REV	DESCRIPTION	DATE	APPROVED

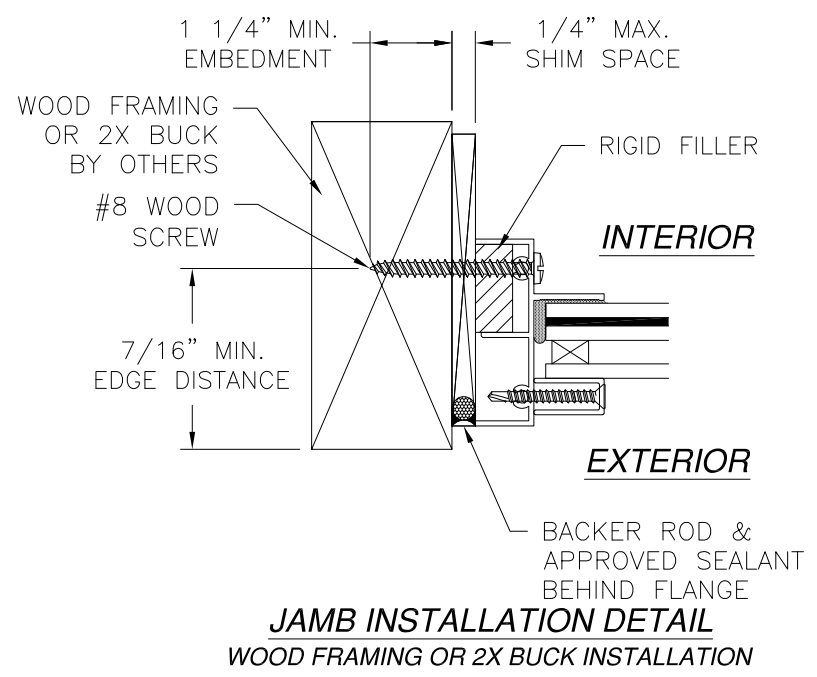


**VERTICAL CROSS SECTION**  
WOOD FRAMING OR 2X BUCK INSTALLATION

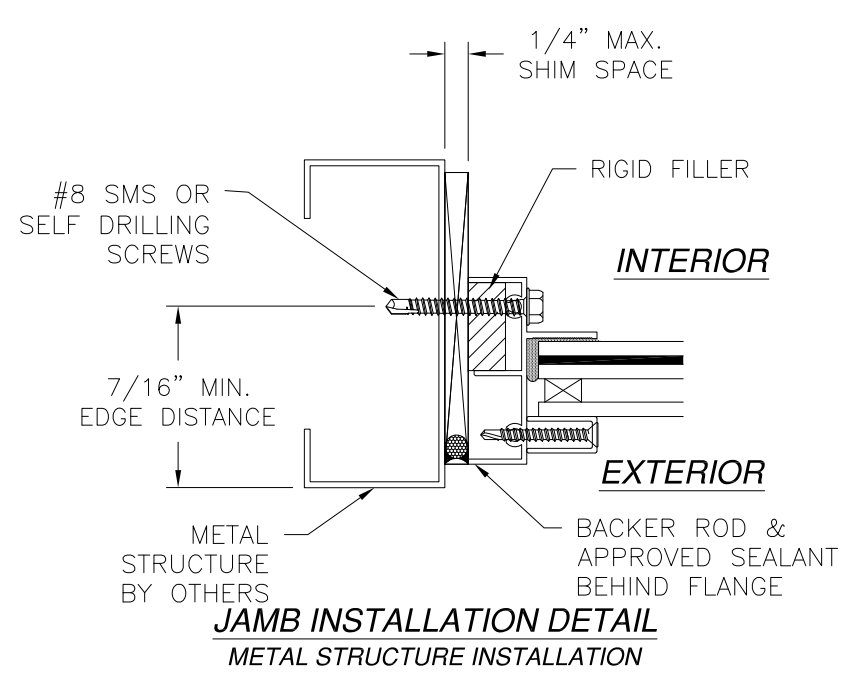


**VERTICAL CROSS SECTION**  
METAL STRUCTURE INSTALLATION

**NOTES:**  
 1. INTERIOR AND EXTERIOR FINISHES, BY OTHERS, NOT SHOWN FOR CLARITY.  
 2. PERIMETER AND JOINT SEALANT BY OTHERS TO BE DESIGNED IN ACCORDANCE WITH ASTM E2112



**JAMB INSTALLATION DETAIL**  
WOOD FRAMING OR 2X BUCK INSTALLATION



**JAMB INSTALLATION DETAIL**  
METAL STRUCTURE INSTALLATION

MI WINDOWS AND DOORS, LLC  
 650 W. MARKET ST.  
 GRATZ, PA 17030

185 PICTURE WINDOW  
 IMPACT 37" x 78"  
 FINLESS INSTALLATION DETAILS WITH RIGID FILLERS

DRAWN: A.R.	DWG NO. 08-03395	REV -
SCALE NTS	DATE 03/12/19	SHEET 11 OF 15

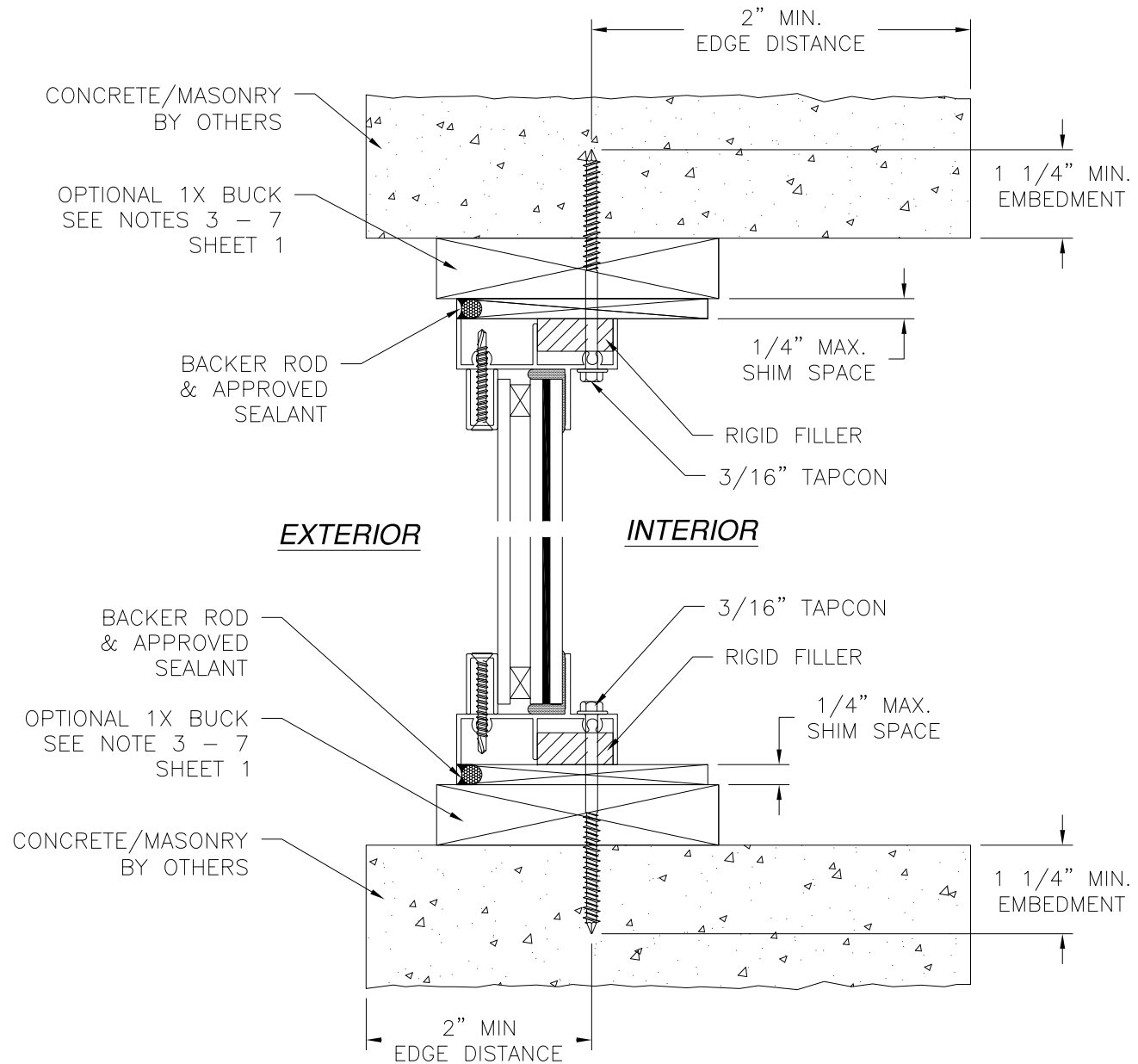
L. ROBERTO LOMAS P.E.  
 1432 WOODFORD RD LEWISVILLE, NC 27023  
 434-688-0609 rllomas@rlomaspe.com

SIGNED: 03/27/2019

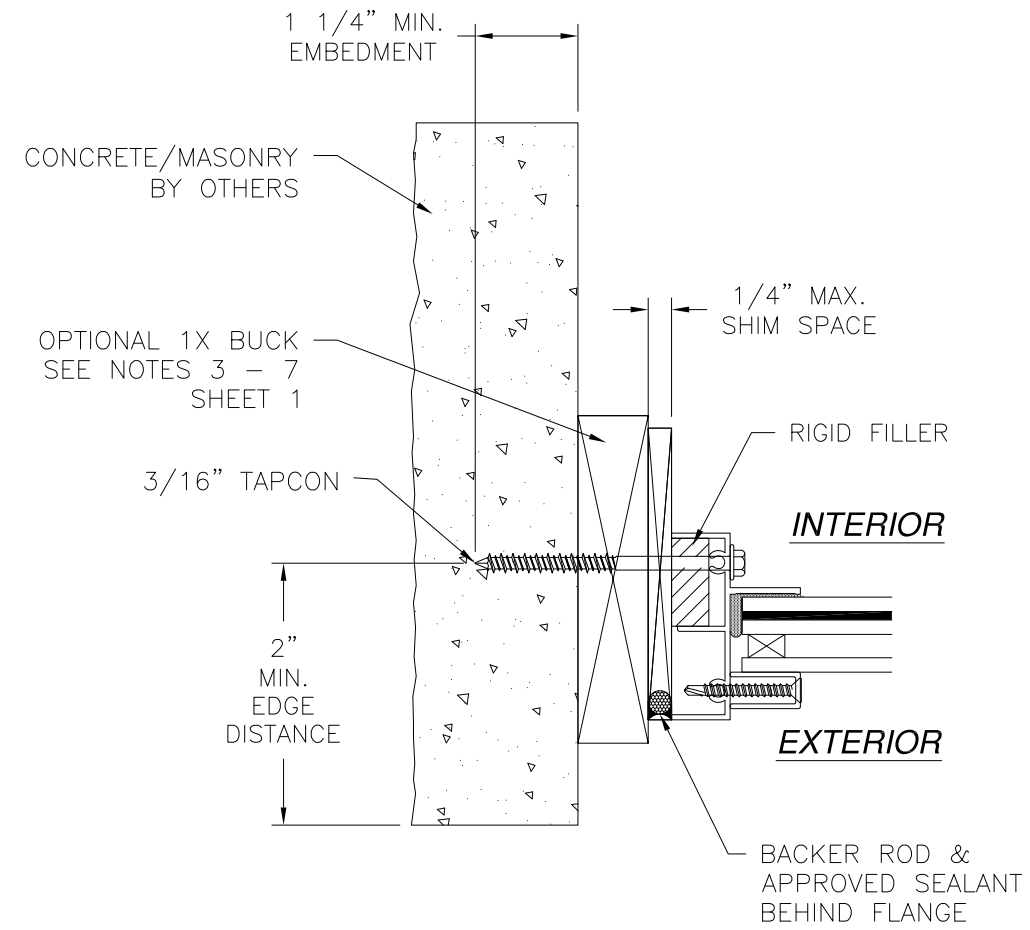


Luis R. Lomas P.E.  
 TX No.: 101889

REVISIONS			
REV	DESCRIPTION	DATE	APPROVED



**VERTICAL CROSS SECTION**  
CONCRETE/MASONRY INSTALLATION



**JAMB INSTALLATION DETAIL**  
CONCRETE/MASONRY INSTALLATION

**NOTES:**  
 1. INTERIOR AND EXTERIOR FINISHES, BY OTHERS, NOT SHOWN FOR CLARITY.  
 2. PERIMETER AND JOINT SEALANT BY OTHERS TO BE DESIGNED IN ACCORDANCE WITH ASTM E2112

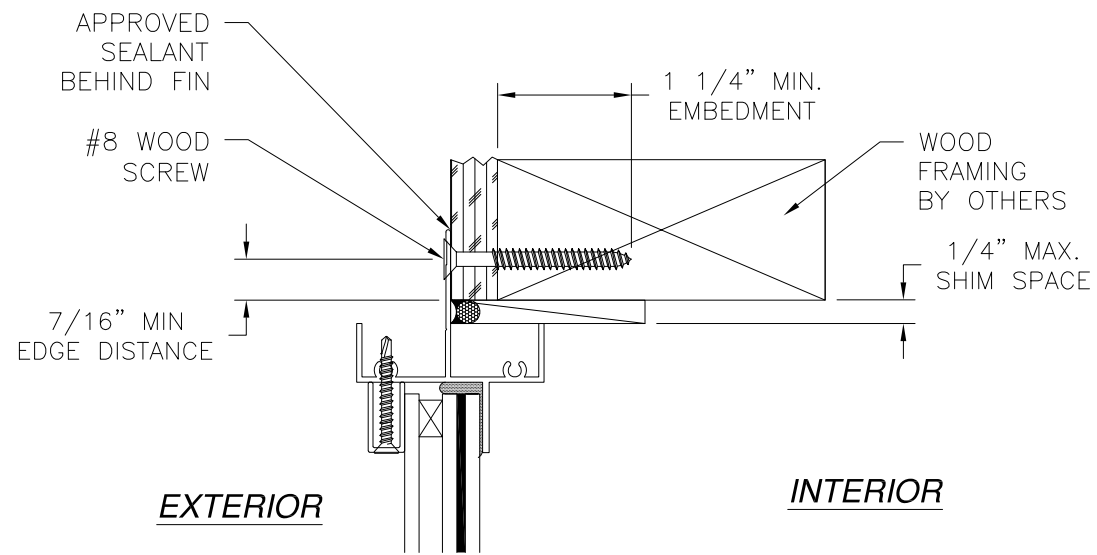
SIGNED: 03/27/2019

<b>MI WINDOWS AND DOORS, LLC</b> 650 W. MARKET ST. GRATZ, PA 17030		
185 PICTURE WINDOW IMPACT 37" x 78" FINLESS INSTALLATION DETAILS WITH RIGID FILLERS		
DRAWN: A.R.	DWG NO. 08-03395	REV -
SCALE NTS	DATE 03/12/19	SHEET 12 OF 15
L. ROBERTO LOMAS P.E. 1432 WOODFORD RD LEWISVILLE, NC 27023 434-688-0609 rllomas@rlomaspe.com		

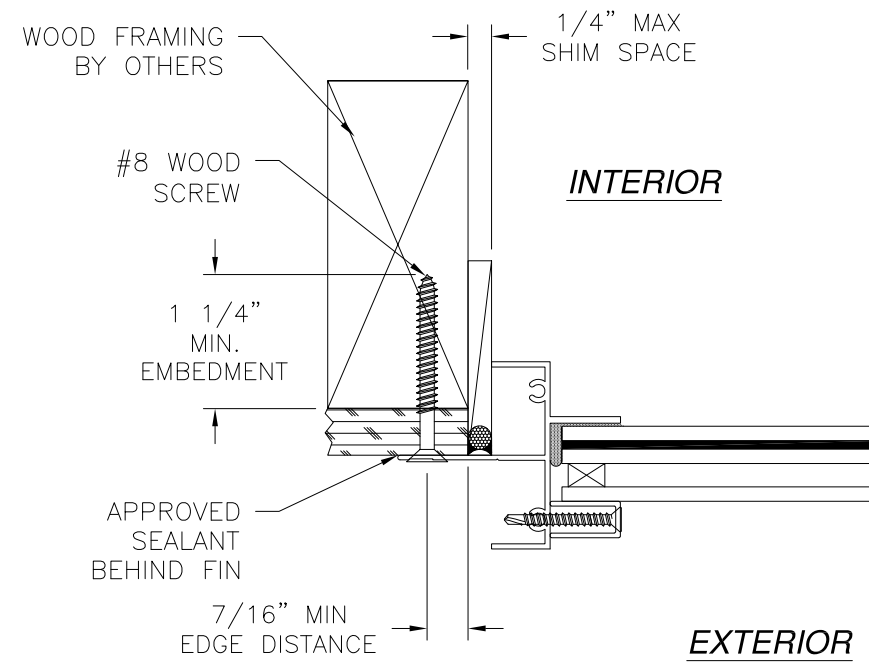


Luis R. Lomas P.E.  
TX No.: 101889

REVISIONS			
REV	DESCRIPTION	DATE	APPROVED



**VERTICAL CROSS SECTION**  
WOOD FRAMING OR 2X BUCK INSTALLATION



**JAMB INSTALLATION DETAIL**  
WOOD FRAMING OR 2X BUCK INSTALLATION

**NOTES:**  
 1. INTERIOR AND EXTERIOR FINISHES, BY OTHERS, NOT SHOWN FOR CLARITY.  
 2. PERIMETER AND JOINT SEALANT BY OTHERS TO BE DESIGNED IN ACCORDANCE WITH ASTM E2112

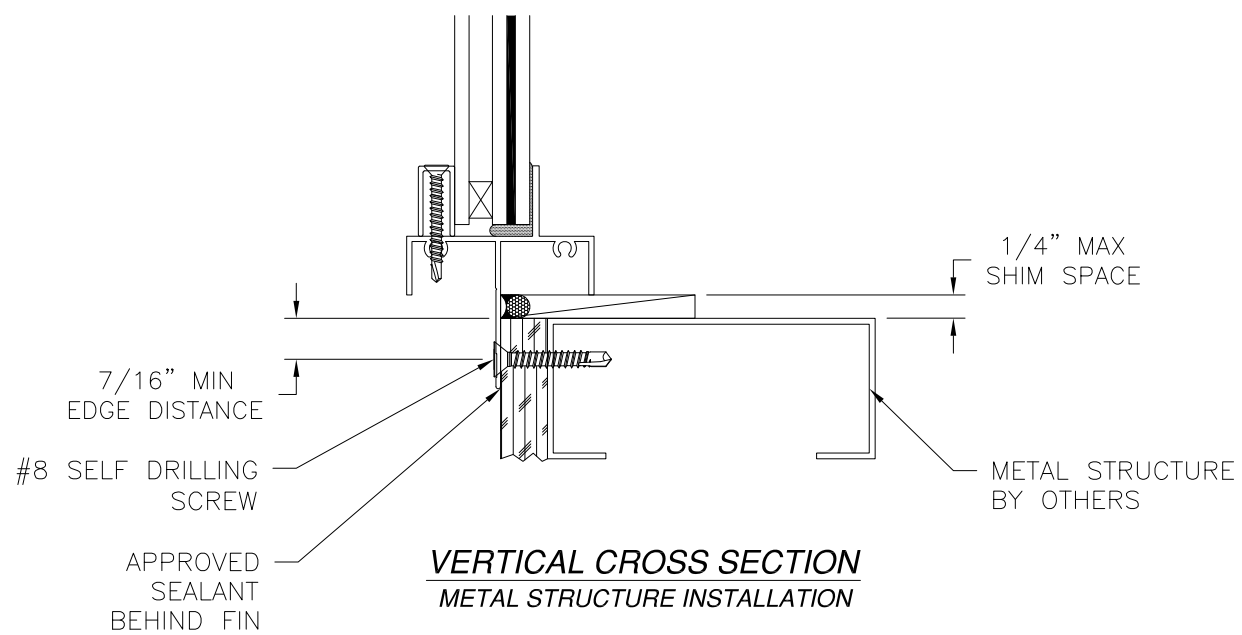
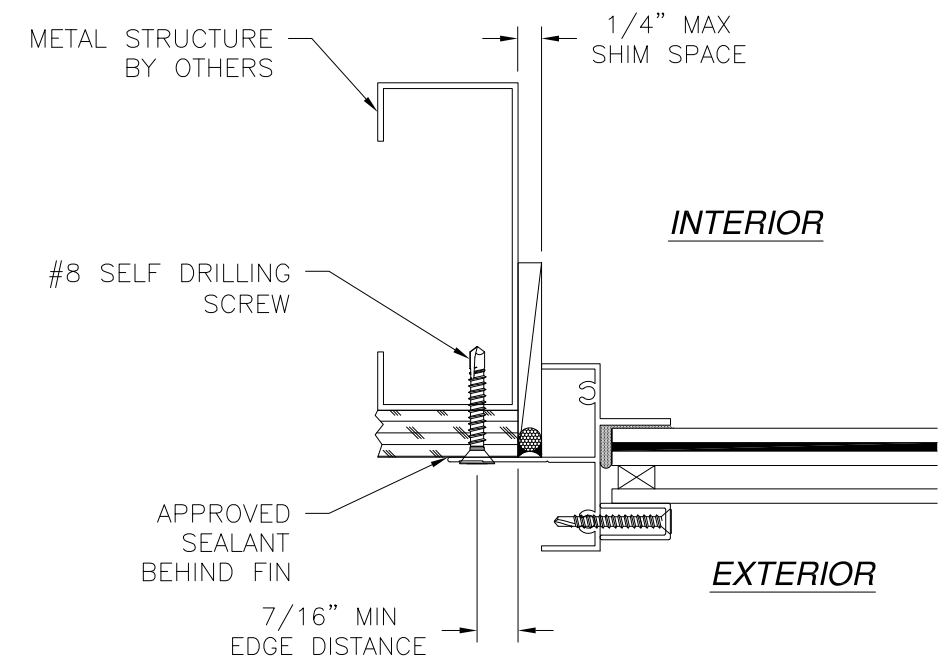
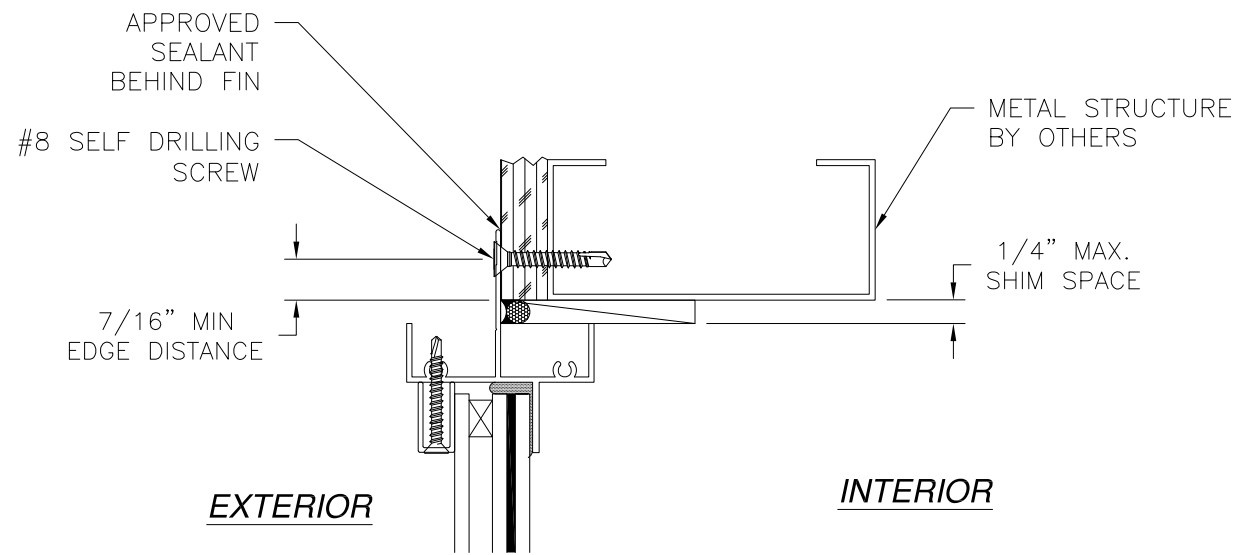
SIGNED: 03/27/2019

<b>MI WINDOWS AND DOORS, LLC</b> 650 W. MARKET ST. GRATZ, PA 17030		
185 PICTURE WINDOW IMPACT 37" x 78" FIN INSTALLATION DETAILS		
DRAWN: A.R.	DWG NO. 08-03395	REV -
SCALE NTS	DATE 03/12/19	SHEET 13 OF 15
L. ROBERTO LOMAS P.E. 1432 WOODFORD RD LEWISVILLE, NC 27023 434-688-0609 rllomas@lrlomaspe.com		



Luis R. Lomas P.E.  
TX No.: 101889

REVISIONS			
REV	DESCRIPTION	DATE	APPROVED



**JAMB INSTALLATION DETAIL**  
METAL STRUCTURE INSTALLATION

**NOTES:**  
 1. INTERIOR AND EXTERIOR FINISHES, BY OTHERS, NOT SHOWN FOR CLARITY.  
 2. PERIMETER AND JOINT SEALANT BY OTHERS TO BE DESIGNED IN ACCORDANCE WITH ASTM E2112

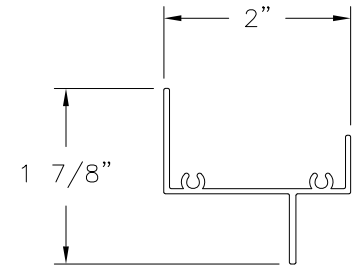
SIGNED: 03/27/2019

<b>MI WINDOWS AND DOORS, LLC</b> 650 W. MARKET ST. GRATZ, PA 17030		
185 PICTURE WINDOW IMPACT 37" x 78" FIN INSTALLATION DETAILS		
DRAWN: A.R.	DWG NO. 08-03395	REV -
SCALE NTS	DATE 03/12/19	SHEET 14 OF 15
L. ROBERTO LOMAS P.E. 1432 WOODFORD RD LEWISVILLE, NC 27023 434-688-0609 rllomas@rlomaspe.com		

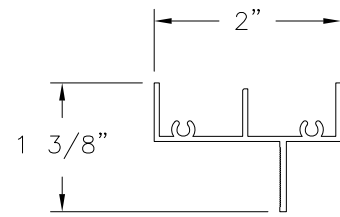


Luis R. Lomas P.E.  
TX No.: 101889

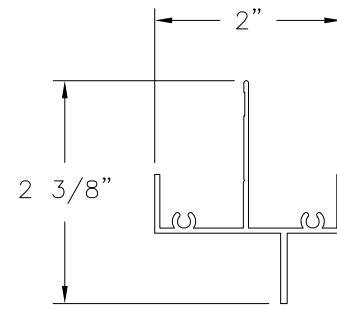
REVISIONS			
REV	DESCRIPTION	DATE	APPROVED



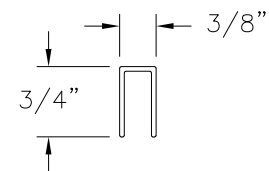
**MAIN FRAME**  
**FINLESS INSTALLATION WITH FLANGE**  
ALUMINUM 6063-T5 (CM-18524)



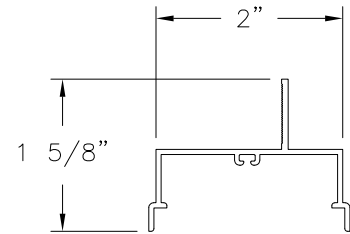
**MAIN FRAME**  
**FINLESS INSTALLATION**  
ALUMINUM 6063-T5 (CM-18524)



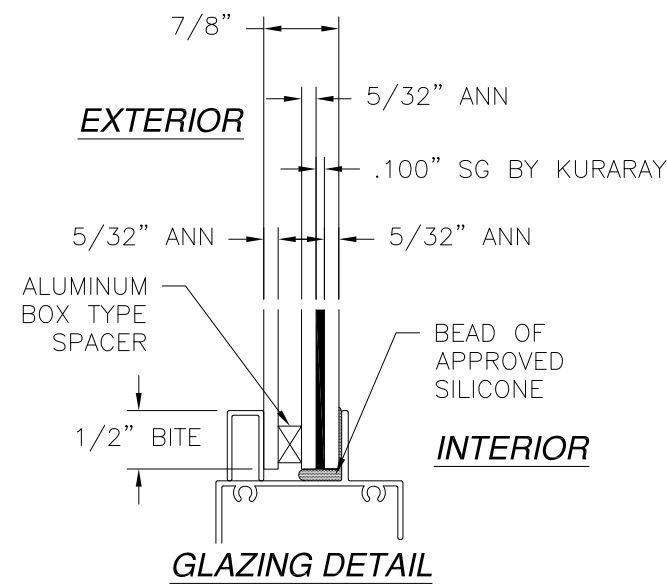
**MAIN FRAME**  
**FIN INSTALLATION**  
ALUMINUM 6063-T5 (CM-18522)



**GLAZING BEAD**  
**INSULATED GLASS**  
ALUMINUM 6063-T5 (CM-18540)



**SILL STACKING FRAME**  
**FIN INSTALLATION**  
ALUMINUM 6063-T5 (CM-18523)



**GLAZING DETAIL**

SIGNED: 03/27/2019

MI WINDOWS AND DOORS, LLC  
650 W. MARKET ST.  
GRATZ, PA 17030

185 PICTURE WINDOW  
IMPACT 37" x 78"  
COMPONENTS AND GLAZING DETAIL

DRAWN: A.R.	DWG NO. 08-03395	REV -
SCALE NTS	DATE 03/12/19	SHEET 15 OF 15

L. ROBERTO LOMAS P.E.  
1432 WOODFORD RD LEWISVILLE, NC 27023  
434-688-0609 rllomas@rlomaspe.com



Luis R. Lomas P.E.  
TX No.: 101889